



US00D901037S

(12) **United States Design Patent** (10) **Patent No.:** **US D901,037 S**
Cieciuch et al. (45) **Date of Patent:** **** Nov. 3, 2020**

(54) **EXPANSION TRIGGERS AND HOLDER ASSEMBLY FOR A SAMPLING SYSTEM**

D346,661 S 5/1994 Thomson
D370,263 S 5/1996 Falkenberg et al.
D399,008 S 9/1998 Thomas
6,032,543 A 3/2000 Arthun et al.
7,272,980 B2 9/2007 Bigalke et al.
D569,008 S 5/2008 Lundqvist et al.
7,661,345 B2 2/2010 Martin

(71) Applicant: **Merck Chemicals and Life Science AB, Solna (SE)**

(72) Inventors: **John Cieciuch, Dracut, MA (US); Amy Wood, Concord, MA (US); James Vigna, Tyngsboro, MA (US); Charles Paradise, Brooklyn, NY (US); Kirsten Climer, Mountainview, CA (US); Francois de Martrin-Donos, Brooklyn, NY (US)**

(Continued)

FOREIGN PATENT DOCUMENTS

EP 1729106 A2 12/2006
WO 2014/099811 A1 6/2014

OTHER PUBLICATIONS

Notice of allowance dated Apr. 7, 2020 in co-pending U.S. Appl. No. 29/654,139.

(Continued)

(73) Assignee: **Merck Chemicals and Life Science AB, Solna (SE)**

(**) Term: **15 Years**

(21) Appl. No.: **29/717,354**

(22) Filed: **Dec. 17, 2019**

Primary Examiner — Anhdao Doan

(74) *Attorney, Agent, or Firm* — Nields, Lemack & Frame, LLC

Related U.S. Application Data

(62) Division of application No. 29/654,139, filed on Jun. 21, 2018, now Pat. No. Des. 889,687.

(51) **LOC (12) Cl.** **24-01**

(52) **U.S. Cl.**
USPC **D24/232**

(58) **Field of Classification Search**
USPC D24/216, 223–233, 186, 107, 121, 108, D24/129; D10/81
CPC ... G01N 2001/1037; G01N 2001/1079; G01N 2001/2085; G01N 1/18; A61M 39/18; A61M 39/22; B01L 3/565; B01L 3/567
See application file for complete search history.

(56) **References Cited**

U.S. PATENT DOCUMENTS

D189,846 S 3/1961 Whitener, Jr. et al.
D271,421 S 11/1983 Fetterman

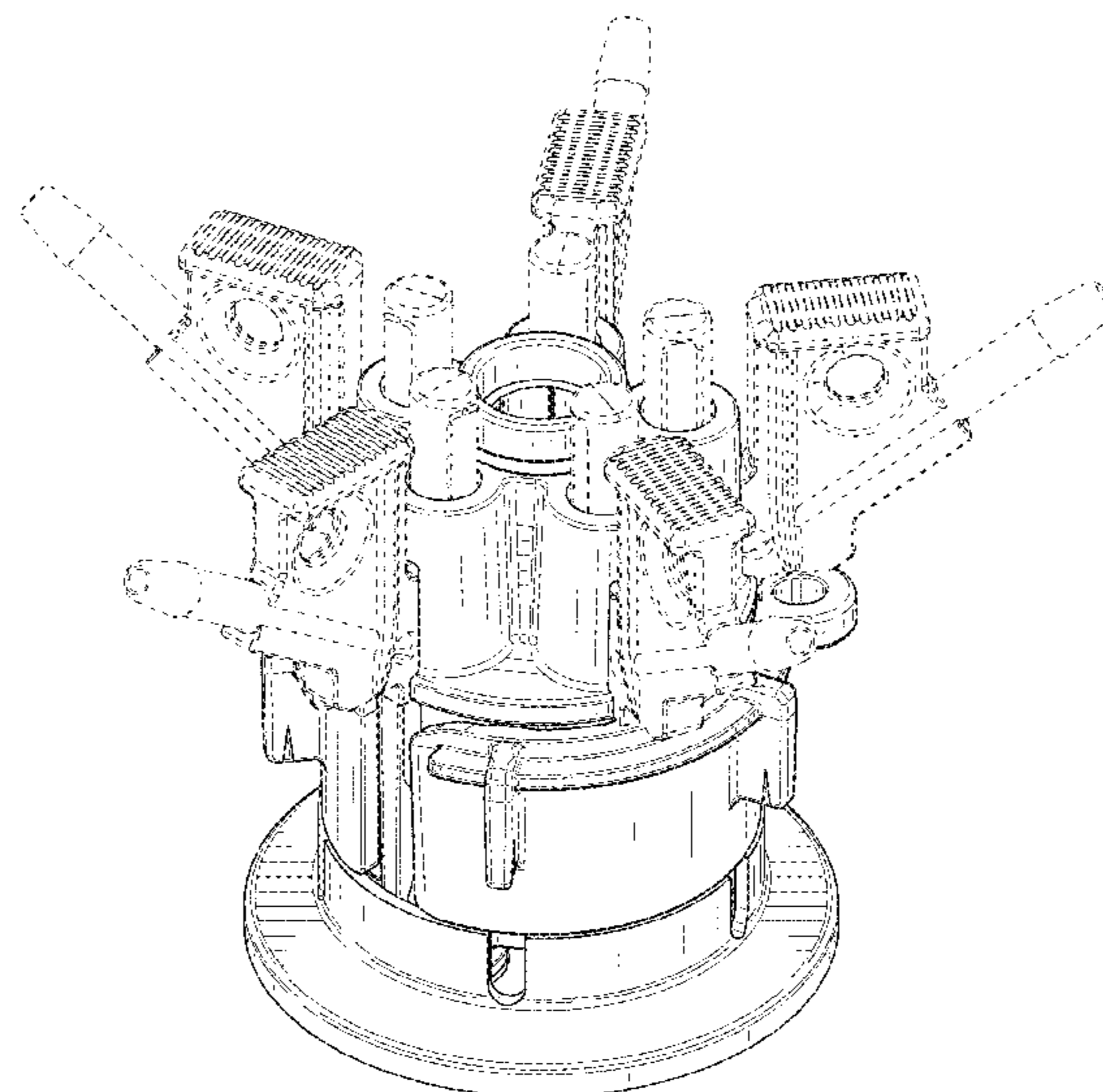
(57) **CLAIM**

The ornamental design for an expansion triggers and holder assembly for a sampling system, as shown and described.

DESCRIPTION

FIG. 1 is a perspective view of the expansion triggers and holder assembly for a sampling system; FIG. 2 is a first side view thereof; FIG. 3 is a second side view thereof; FIG. 4 is a top view thereof; and, FIG. 5 is a bottom view thereof. The broken line showing of the triggers represents the environment structures, and the remaining broken lines depict portions of the expansion triggers and holder assembly that form no part of the claimed design; the broken lines form no part of the claimed design.

1 Claim, 5 Drawing Sheets



(56)

References Cited

U.S. PATENT DOCUMENTS

7,832,293	B2	11/2010	Hermet et al.	
7,878,079	B2	2/2011	Goodwin et al.	
7,921,740	B2	4/2011	Furey et al.	
D673,674	S	1/2013	Ho	
D678,544	S	3/2013	Mueller et al.	
8,408,078	B2	4/2013	Mennenga et al.	
8,505,396	B2	8/2013	Zumbrum	
8,505,586	B2	8/2013	Zumbrum	
8,539,988	B2	9/2013	Guedon	
8,544,349	B2	10/2013	Zumbrum	
8,613,422	B2	12/2013	Zumbrum	
8,910,918	B2	12/2014	Gay et al.	
9,028,779	B2	5/2015	Olivier	
9,120,585	B2	9/2015	Olivier	
D756,252	S	5/2016	Ducry	
9,376,305	B2	6/2016	Zumbrum	
D808,037	S *	1/2018	Gavlak D24/224	
D837,976	S *	1/2019	Kaye D24/121	
D842,462	S	3/2019	Guala	
D849,267	S	5/2019	Rokitta	

D849,936	S	5/2019	Allard
D856,512	S	8/2019	Cowart et al.
D878,626	S	3/2020	Cieciuch et al.
D878,627	S	3/2020	Cieciuch et al.
D878,628	S	3/2020	Cieciuch et al.
2007/0193375	A1	8/2007	Pandori et al.
2008/0087860	A1	4/2008	Vaillancourt
2010/0301060	A1	12/2010	Bernard et al.
2012/0227845	A1	9/2012	Salomon
2016/0025601	A1	1/2016	Newbold

OTHER PUBLICATIONS

Notice of allowance dated Nov. 26, 2019 in co-pending U.S. Appl. No. 29/654,138.
Office action dated Dec. 5, 2019 in co-pending U.S. Appl. No. 29/654,139.
Notice of allowance dated Nov. 26, 2019 in co-pending U.S. Appl. No. 29/654,142.
Notice of allowance dated Dec. 2, 2019 in co-pending U.S. Appl. No. 29/654,143.

* cited by examiner

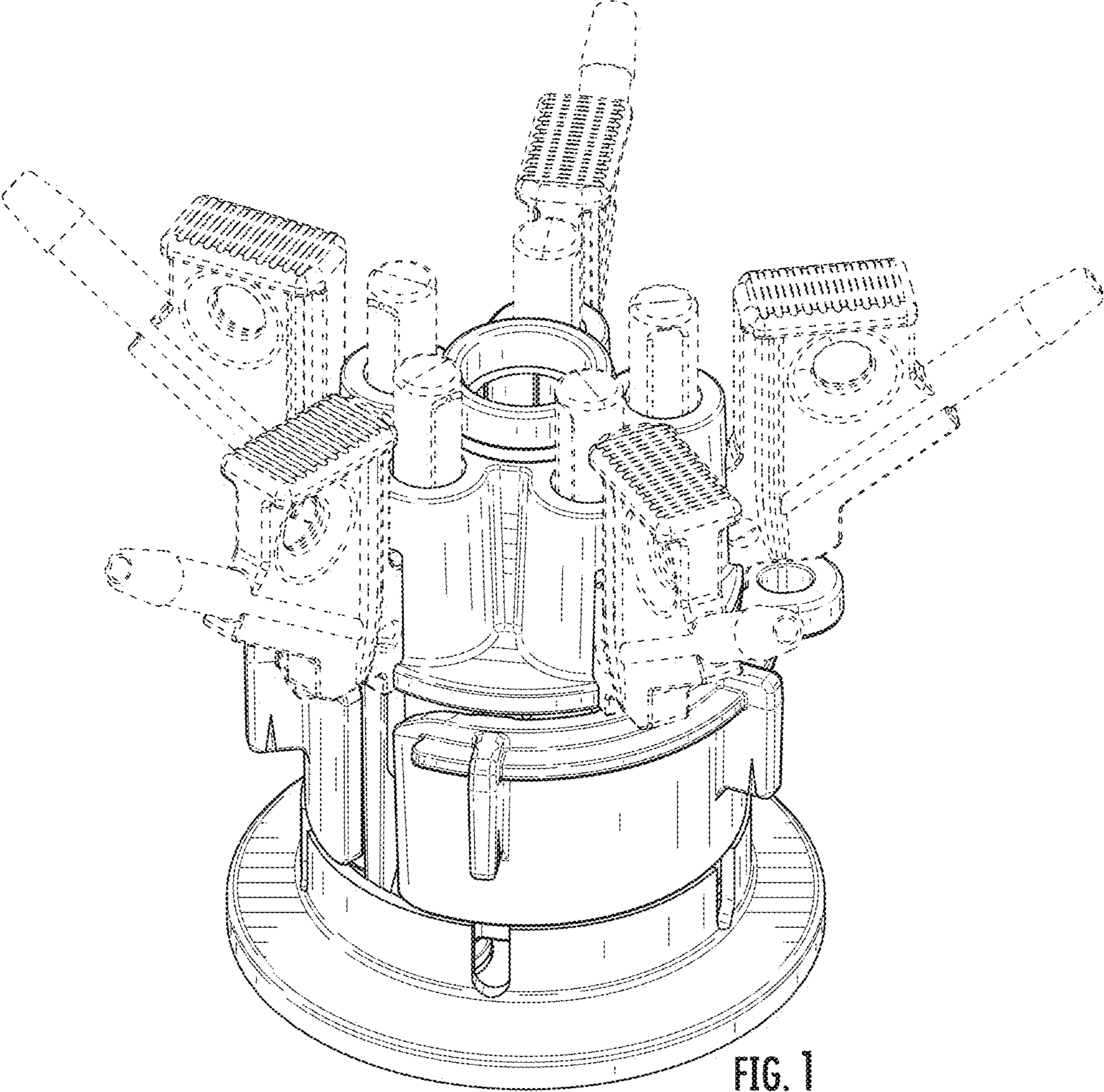


FIG. 1

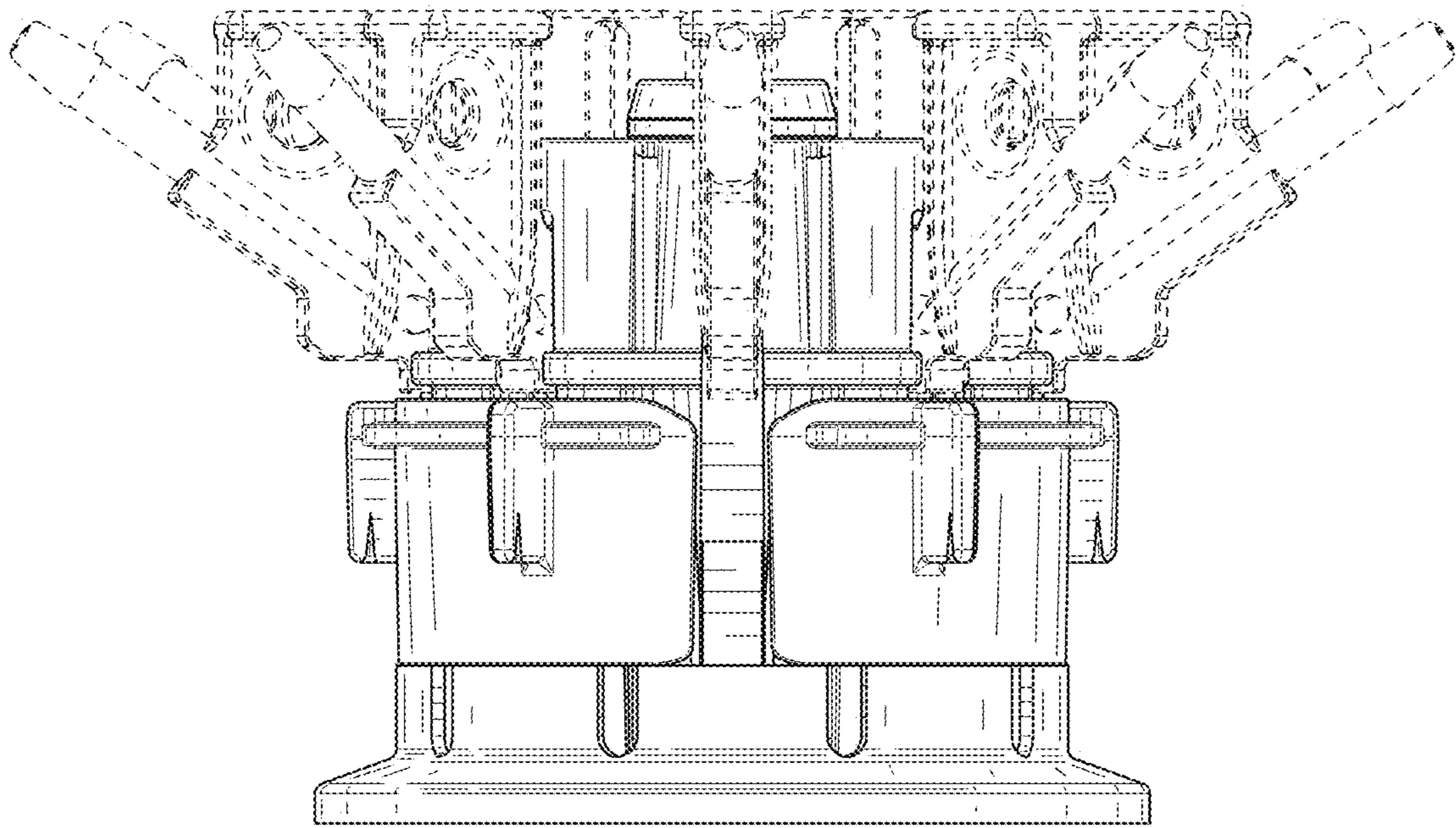


FIG. 2

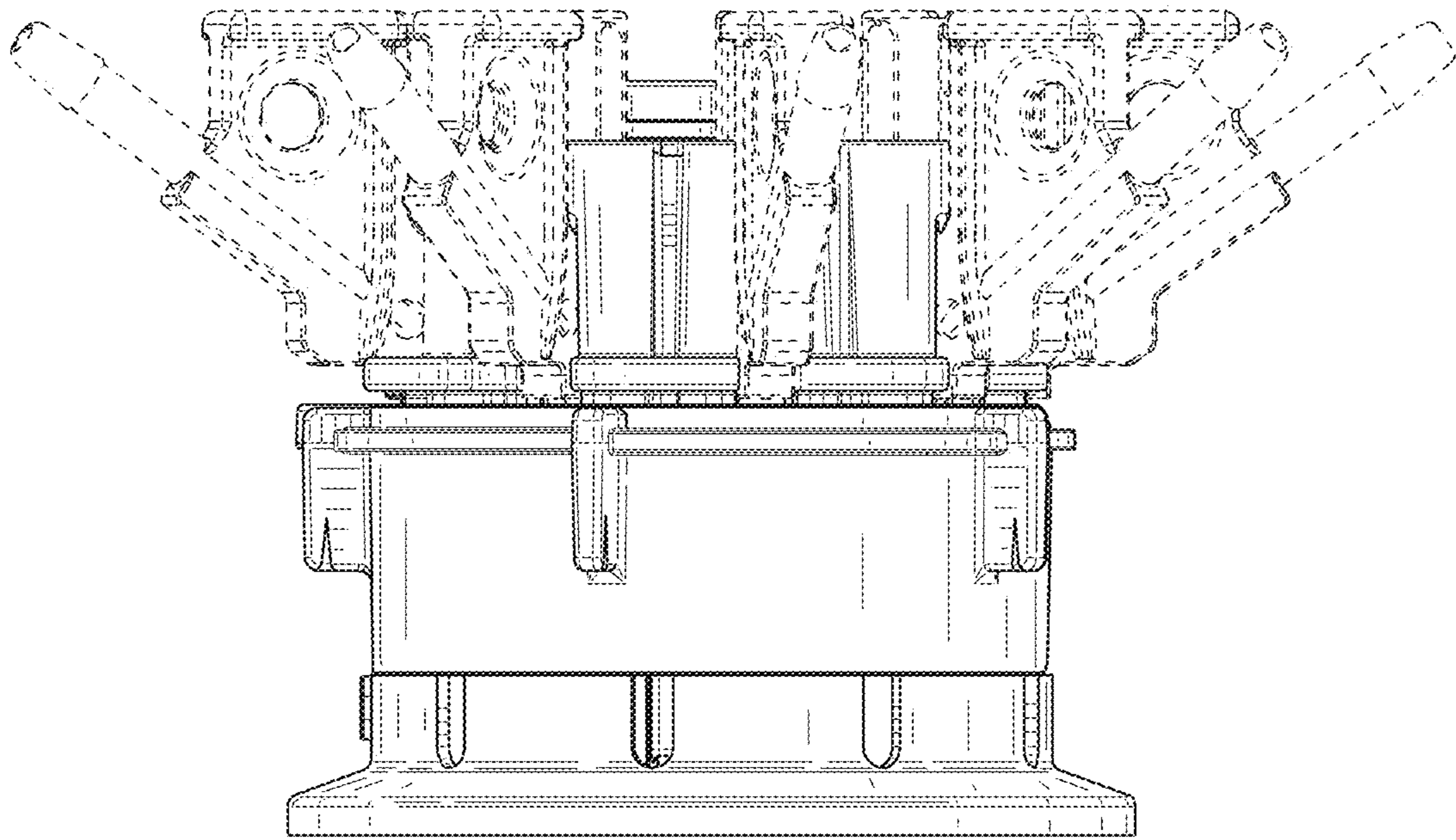


FIG. 3

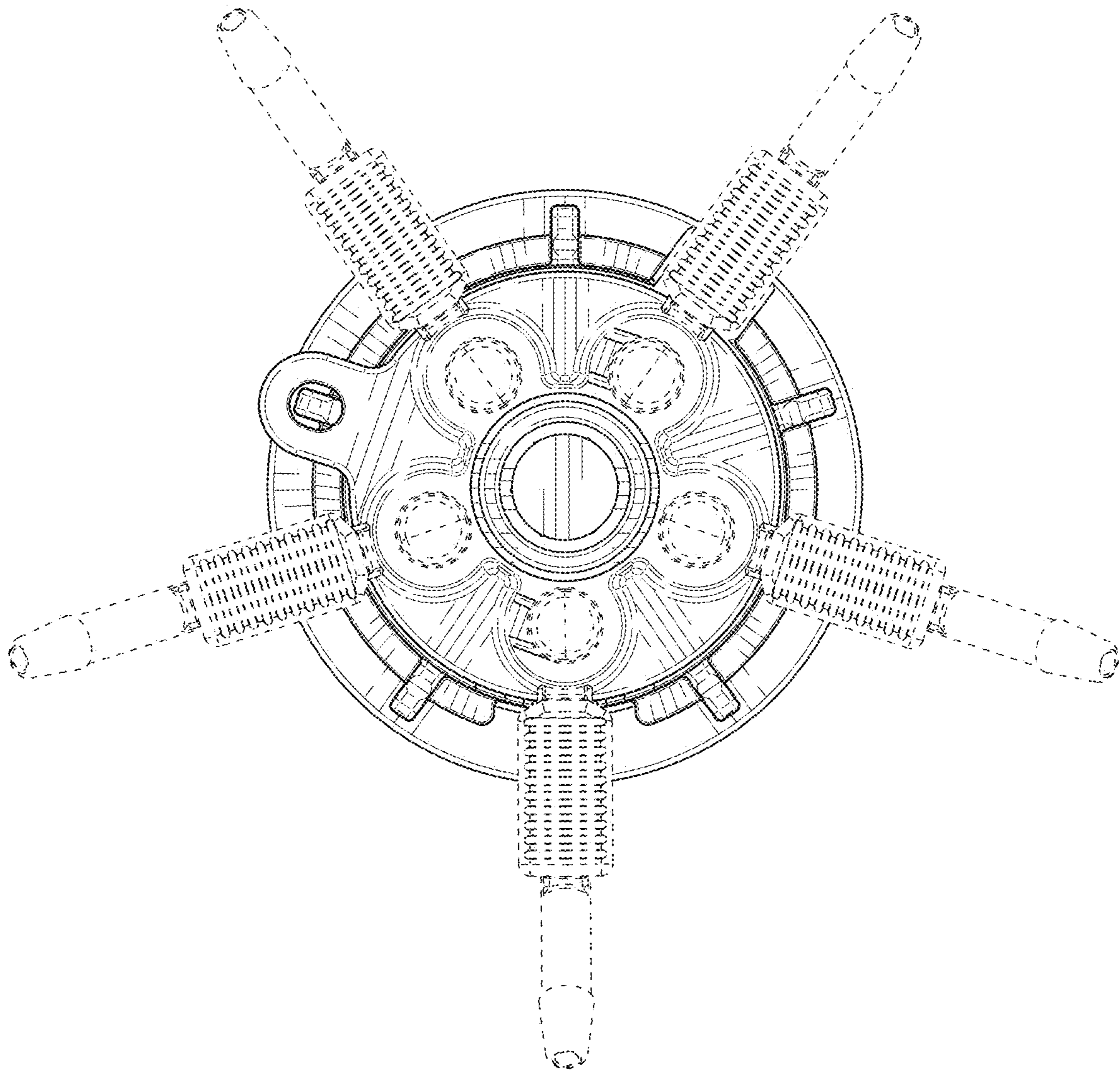


FIG. 4

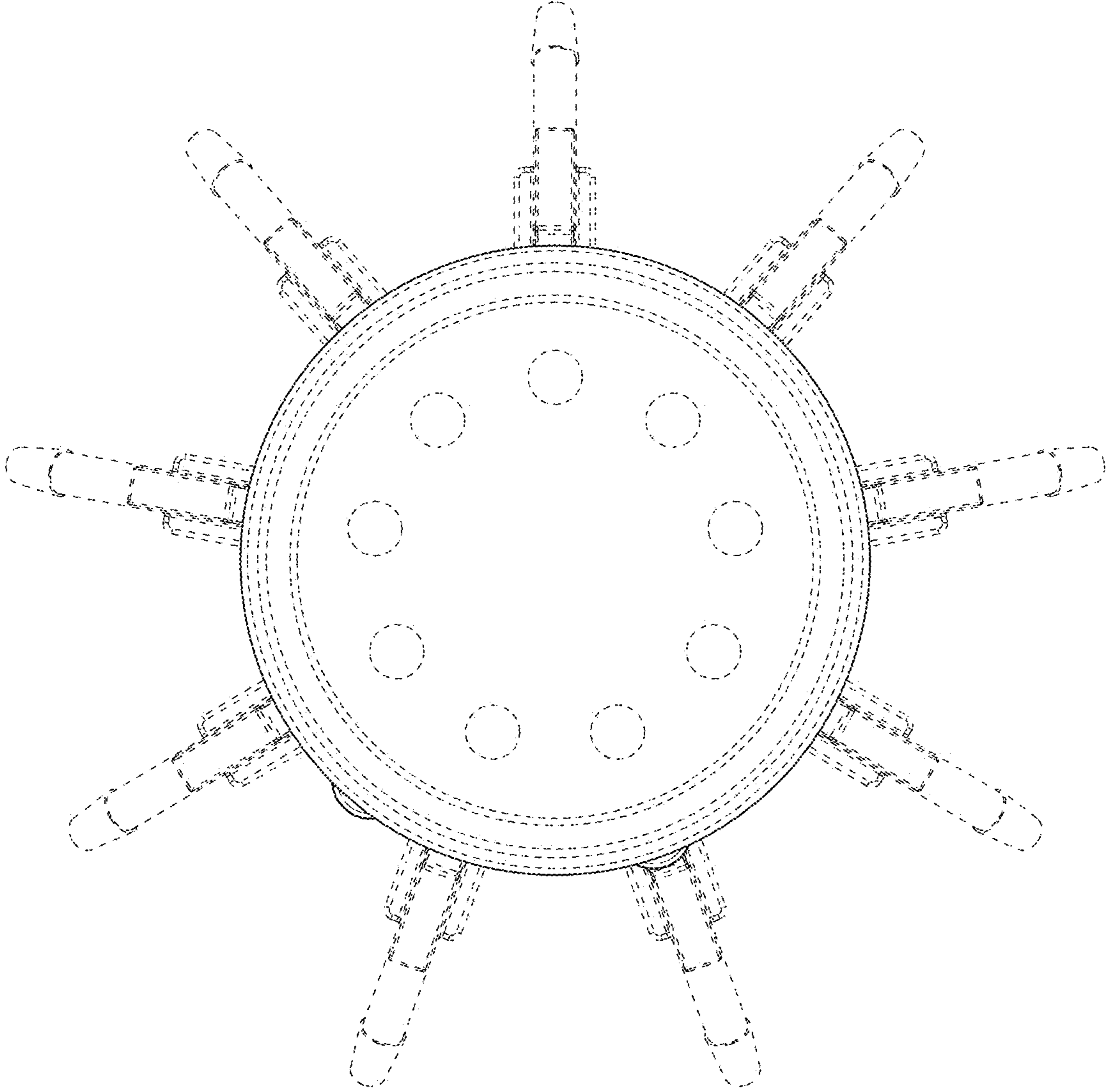


FIG. 5