



US00D901036S

(12) **United States Design Patent** (10) **Patent No.:** **US D901,036 S**
Wahba et al. (45) **Date of Patent:** **** Nov. 3, 2020**

(54) **CUVETTE**

D752,553 S * 3/2016 Lee D14/216
D861,176 S * 9/2019 Yoon D24/186
2012/0156796 A1* 6/2012 Drechsler G01N 21/03
436/164

(71) Applicant: **Avails Medical, Inc.**, Menlo Park, CA
(US)

FOREIGN PATENT DOCUMENTS

(72) Inventors: **Ashraf M. Wahba**, Hayward, CA (US);
Creighton T. Buie, Daly City, CA
(US); **Nitin K. Rajan**, Palo Alto, CA
(US); **Oren S. Knopfmacher**, San
Francisco, CA (US); **Meike Herget**,
Woodside, CA (US)

CN 201630179029 * 5/2016

OTHER PUBLICATIONS

(73) Assignee: **Avails Medical, Inc.**, Menlo Park, CA
(US)

Type 34 Glass Cylindrical Cuvette. Online, published date unknown.
Retrieved on May 19, 2020 from URL: <https://www.bucksci.com/products/type-34-glass-cylindrical-cuvette>.*

(**) Term: **15 Years**

* cited by examiner

(21) Appl. No.: **29/684,919**

Primary Examiner — Susan Bennett Hattan

(22) Filed: **Mar. 25, 2019**

Assistant Examiner — Omeed Agilee

(51) **LOC (12) Cl.** **24-02**

(74) *Attorney, Agent, or Firm* — Levine Bagade Han LLP

(52) **U.S. Cl.**

(57) **CLAIM**

USPC **D24/224**

The ornamental design for a cuvette, as shown and described.

(58) **Field of Classification Search**

DESCRIPTION

USPC D24/107, 169, 186, 216, 223–230
CPC G01N 21/03; G01N 21/0303; B01L 3/508
See application file for complete search history.

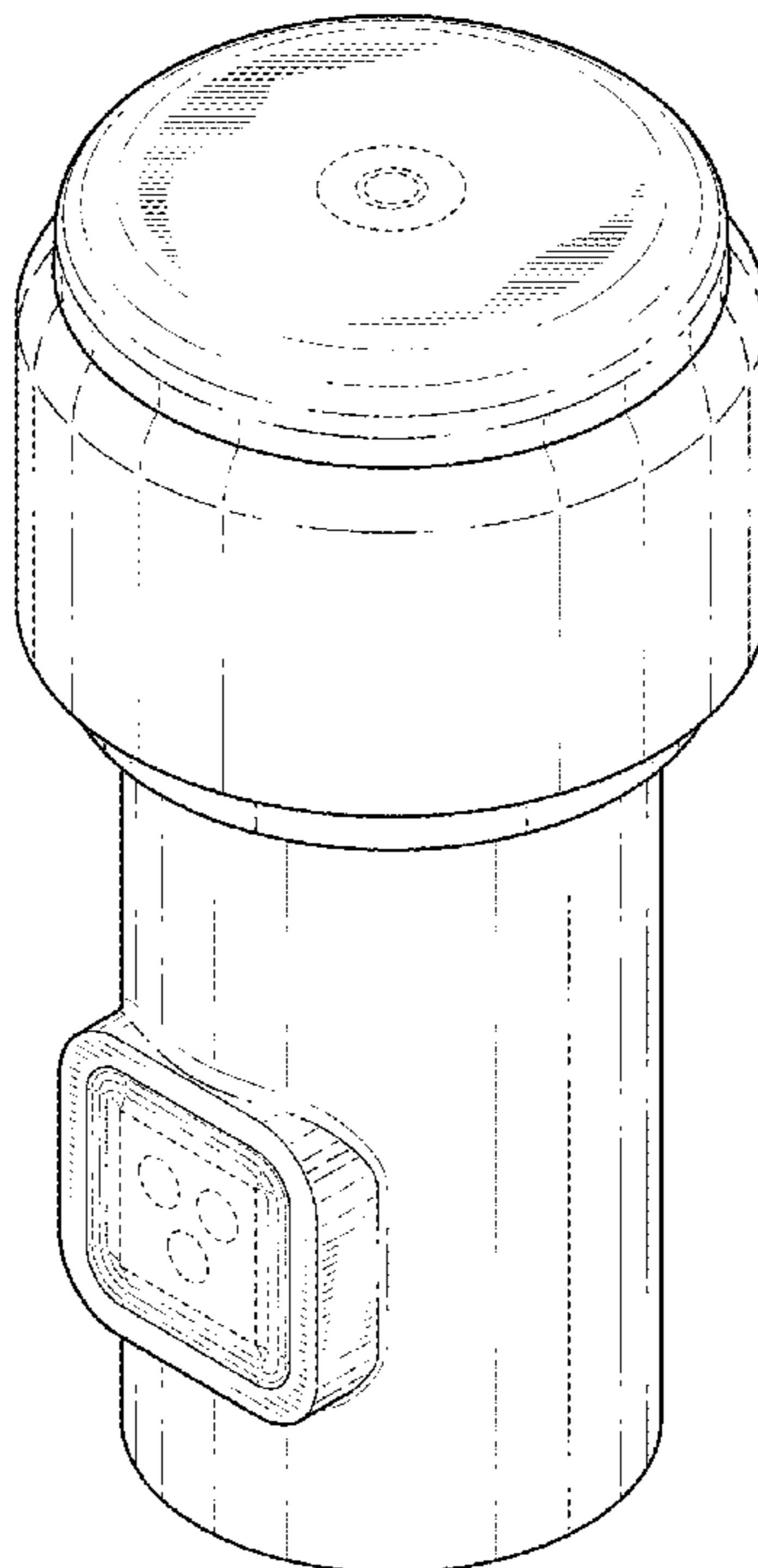
FIG. 1 is a perspective view of a cuvette;
FIG. 2 is a top plan view of the cuvette shown in FIG. 1;
FIG. 3 is a bottom plan view of the cuvette shown in FIG. 1;
FIG. 4 is a front view of the cuvette shown in FIG. 1;
FIG. 5 is a rear view of the cuvette shown in FIG. 1;
FIG. 6 is a left side view of the cuvette shown in FIG. 1; and,
FIG. 7 is a right side view of the cuvette shown in FIG. 1.
The broken lines in the drawings depict portions of the cuvette that form no part of the claimed design.

(56) **References Cited**

U.S. PATENT DOCUMENTS

D342,793 S * 12/1993 Balmer D24/224
D583,481 S * 12/2008 Yamamoto D24/224
D619,728 S * 7/2010 Bare D24/224
D687,964 S * 8/2013 Trump D24/224
D687,965 S * 8/2013 Trump D24/224

1 Claim, 6 Drawing Sheets



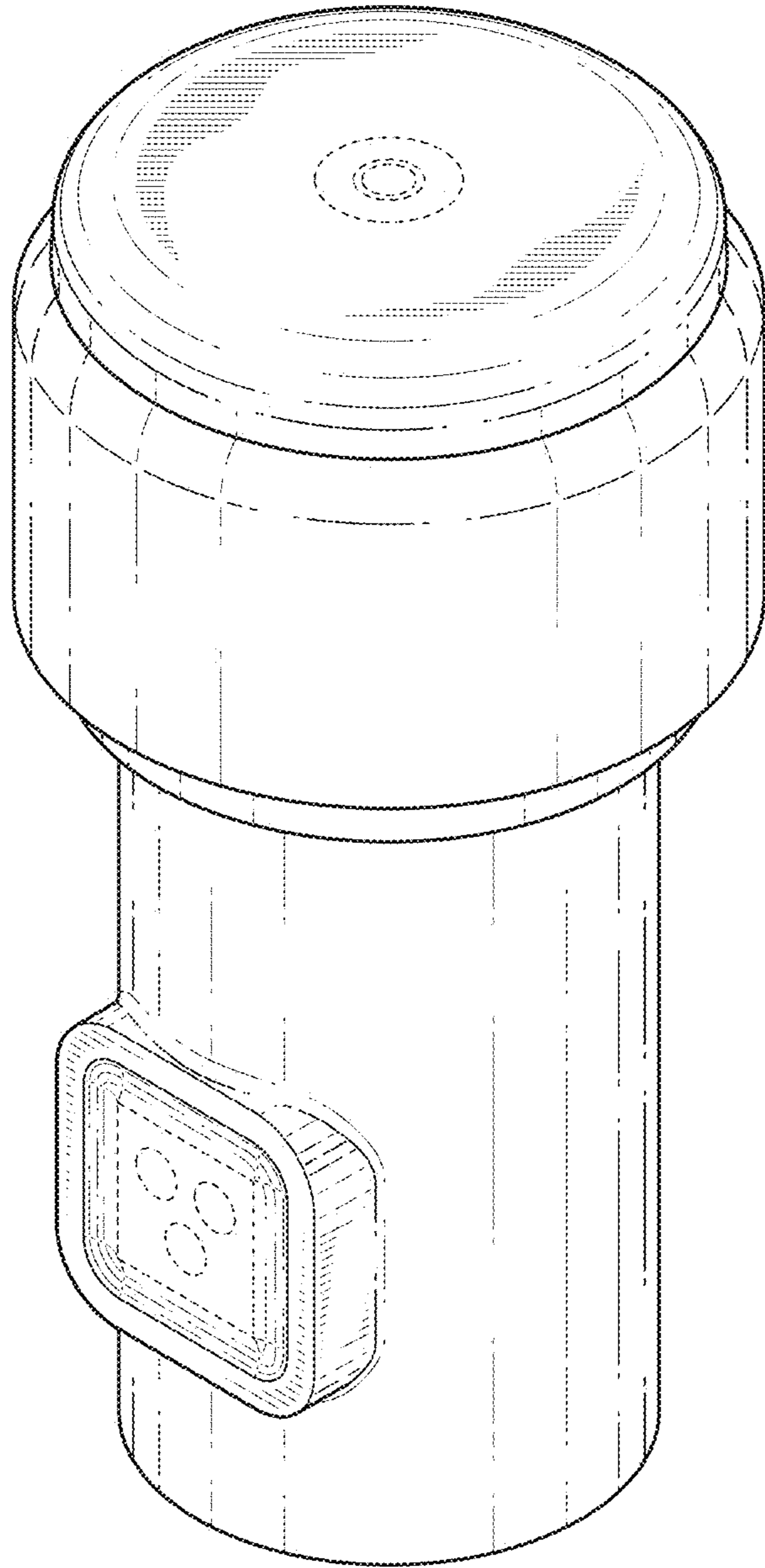


FIG. 1

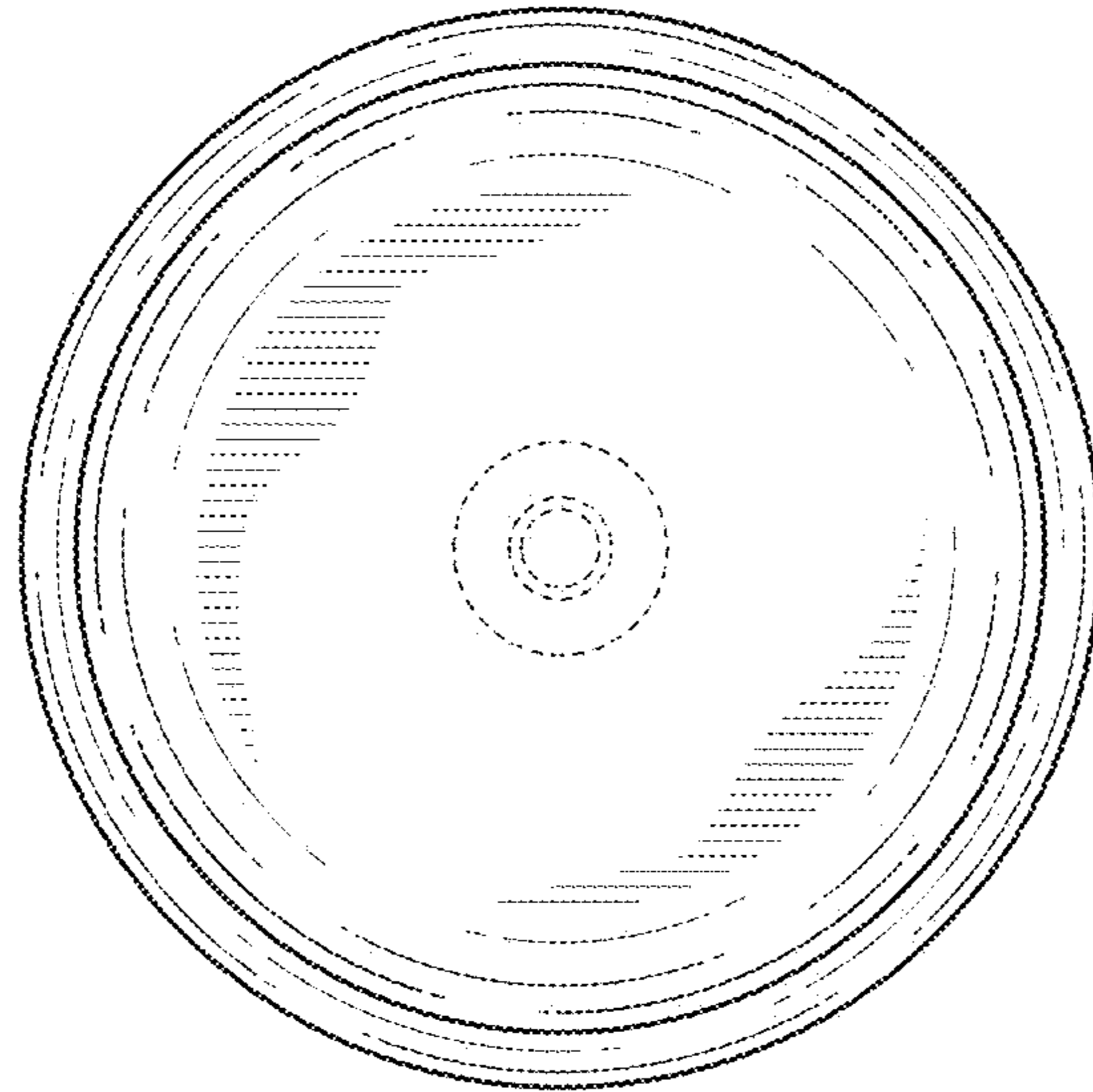


FIG. 2

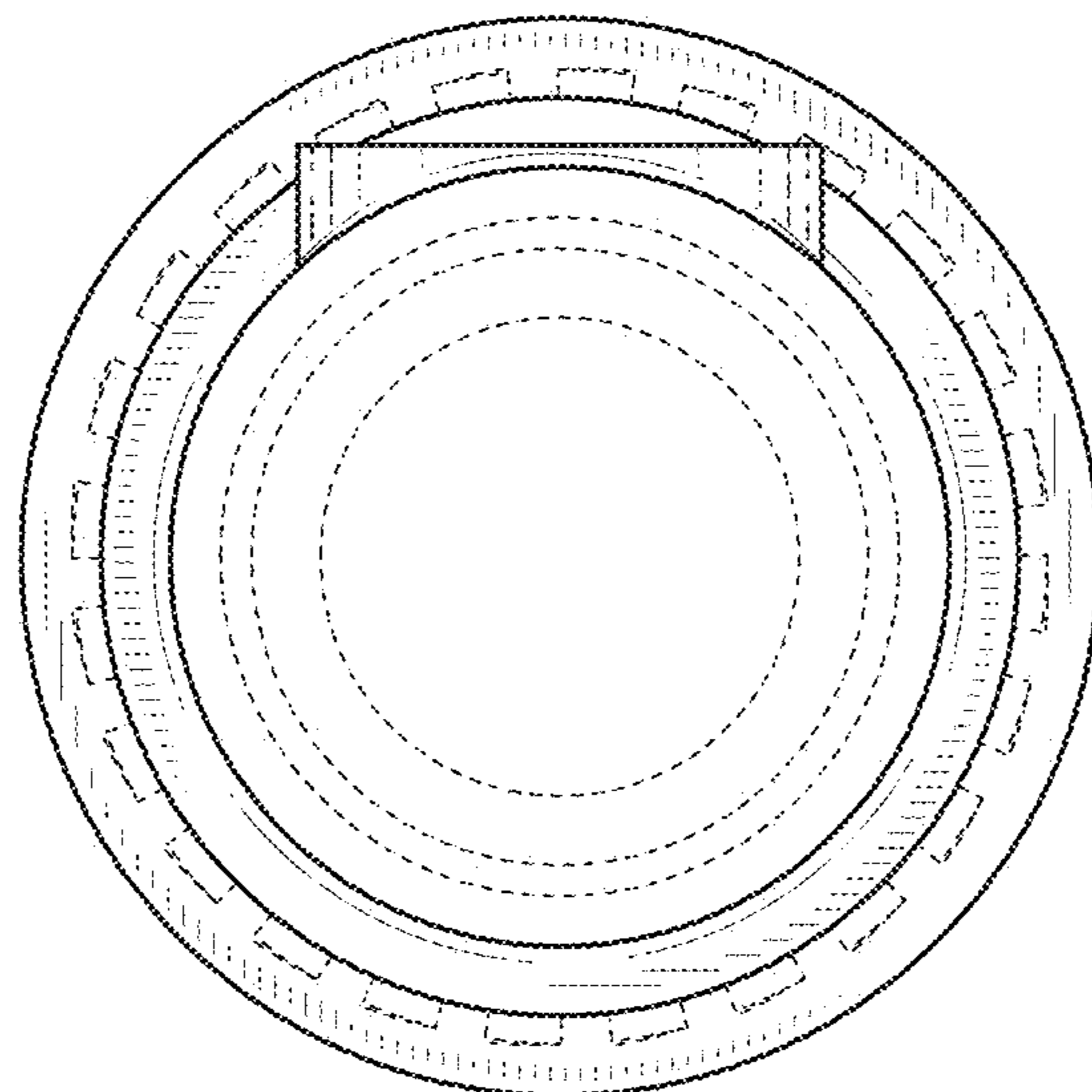


FIG. 3

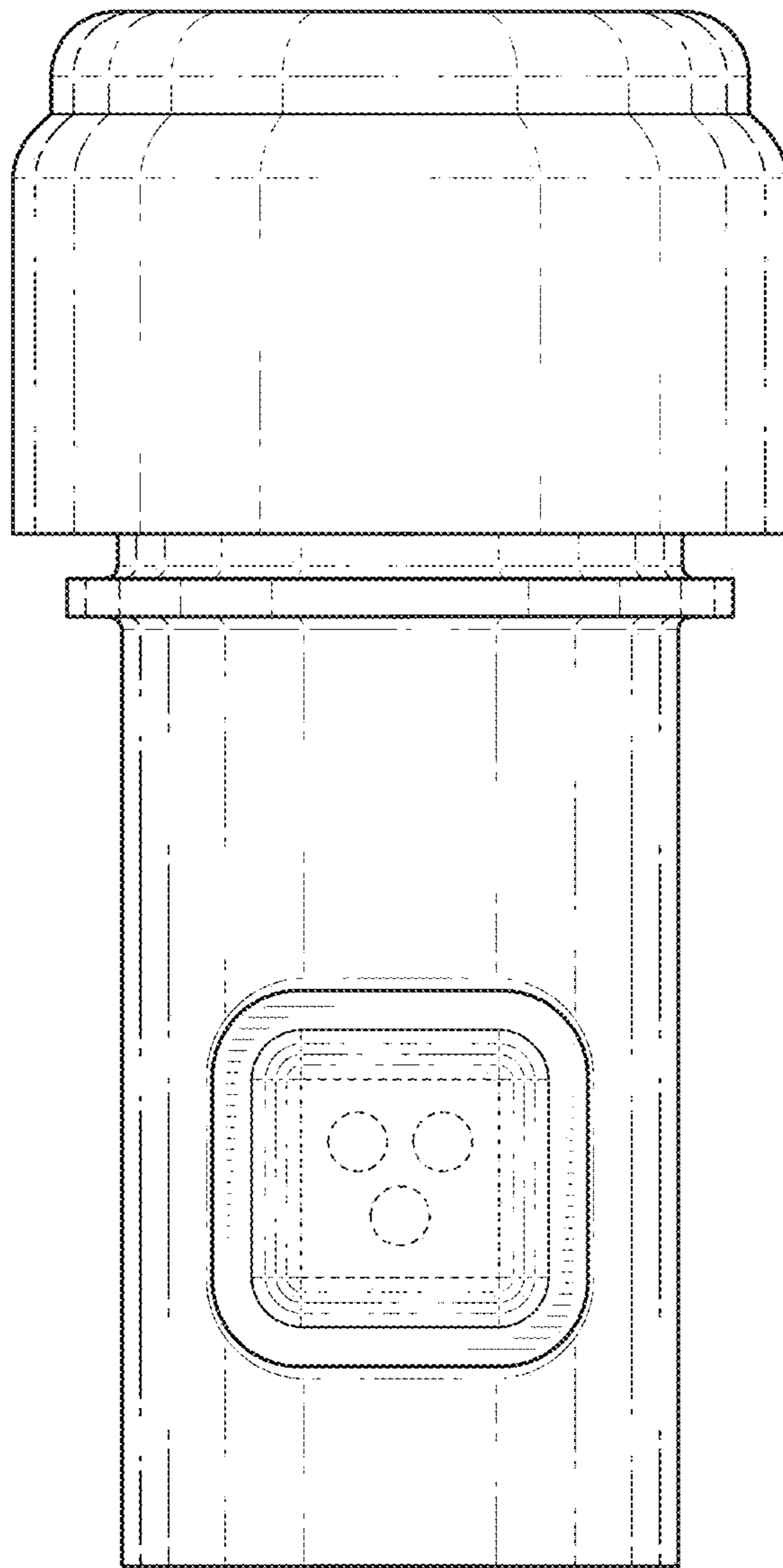


FIG. 4

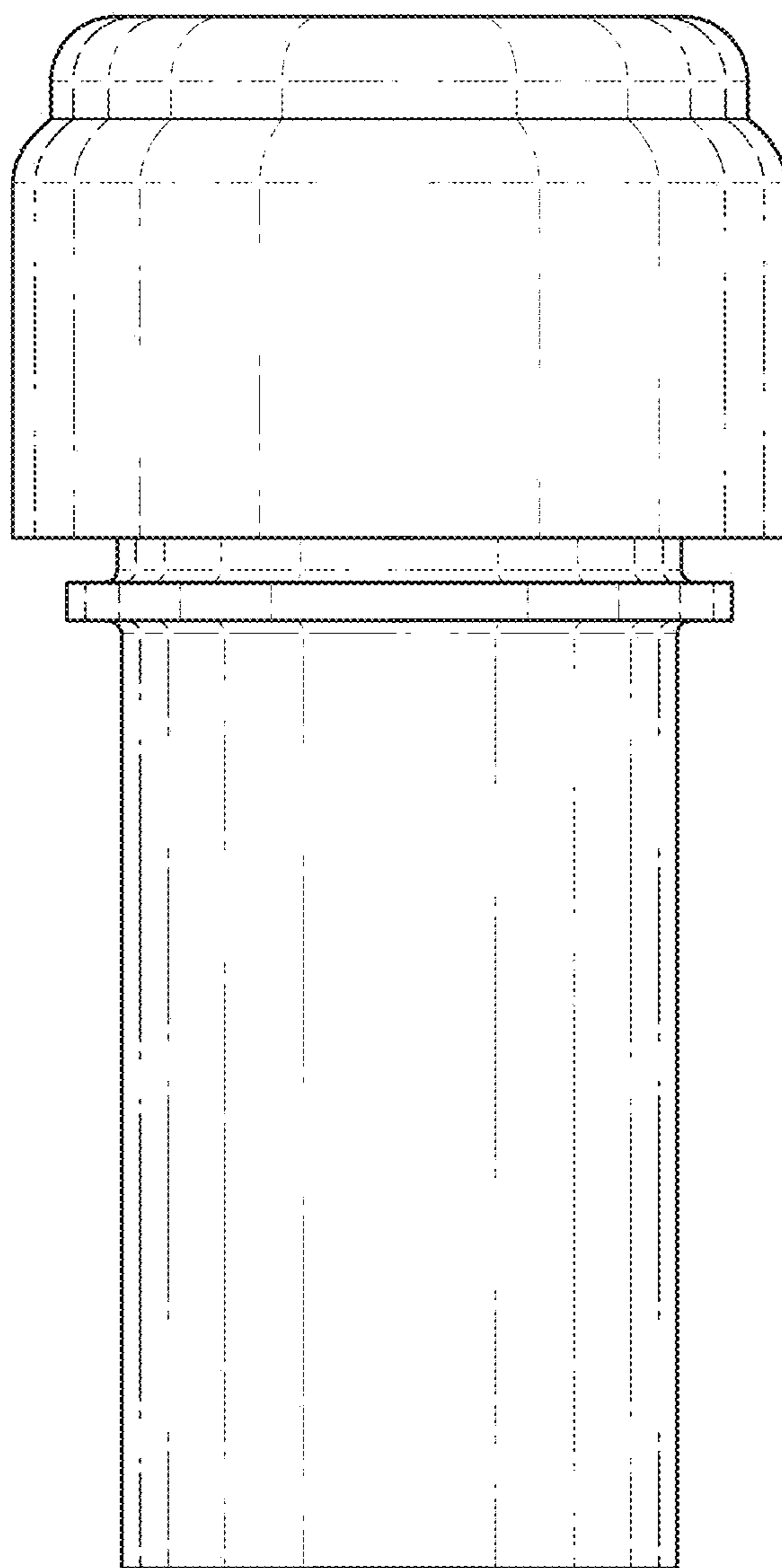


FIG. 5

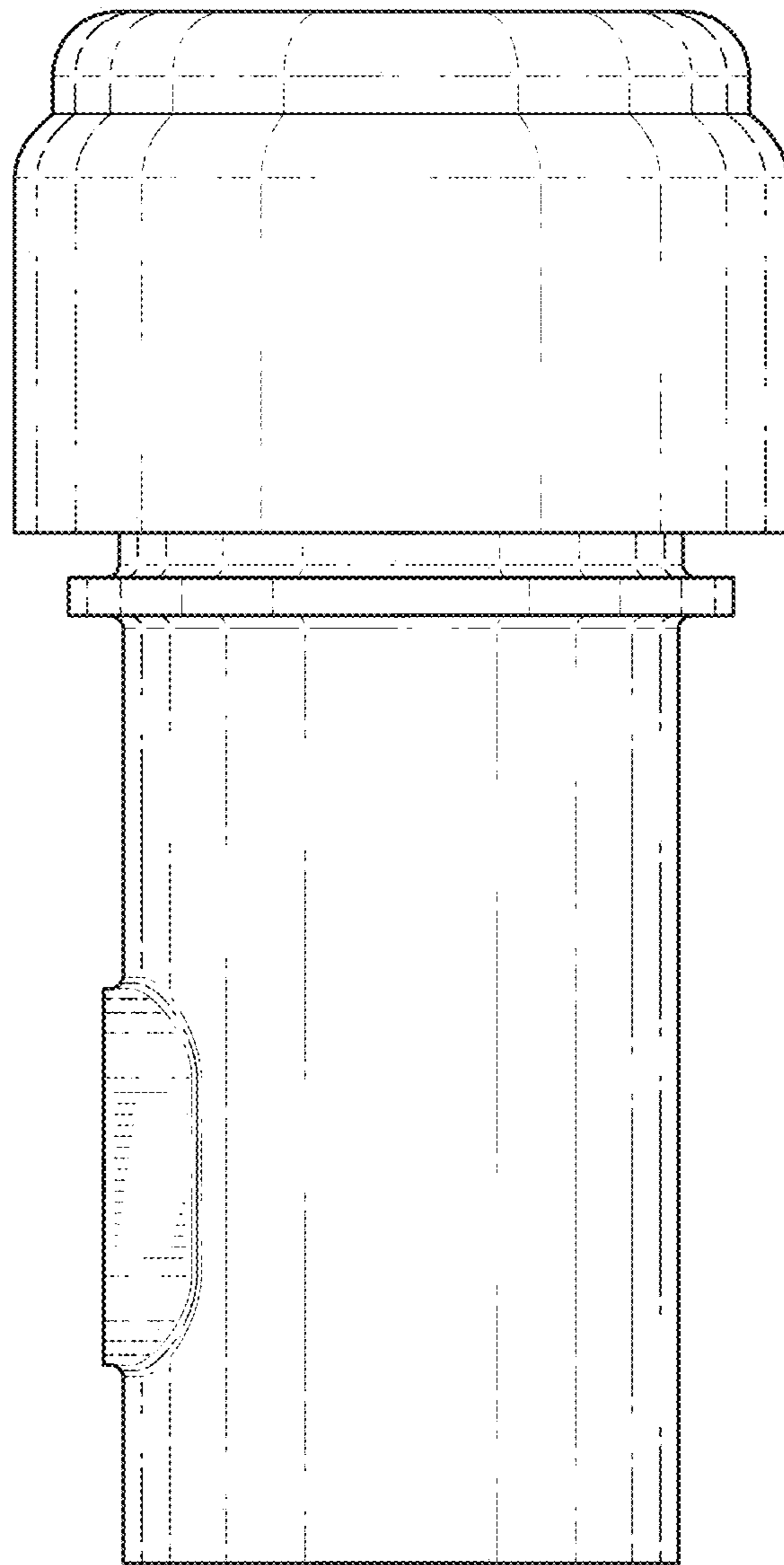


FIG. 6

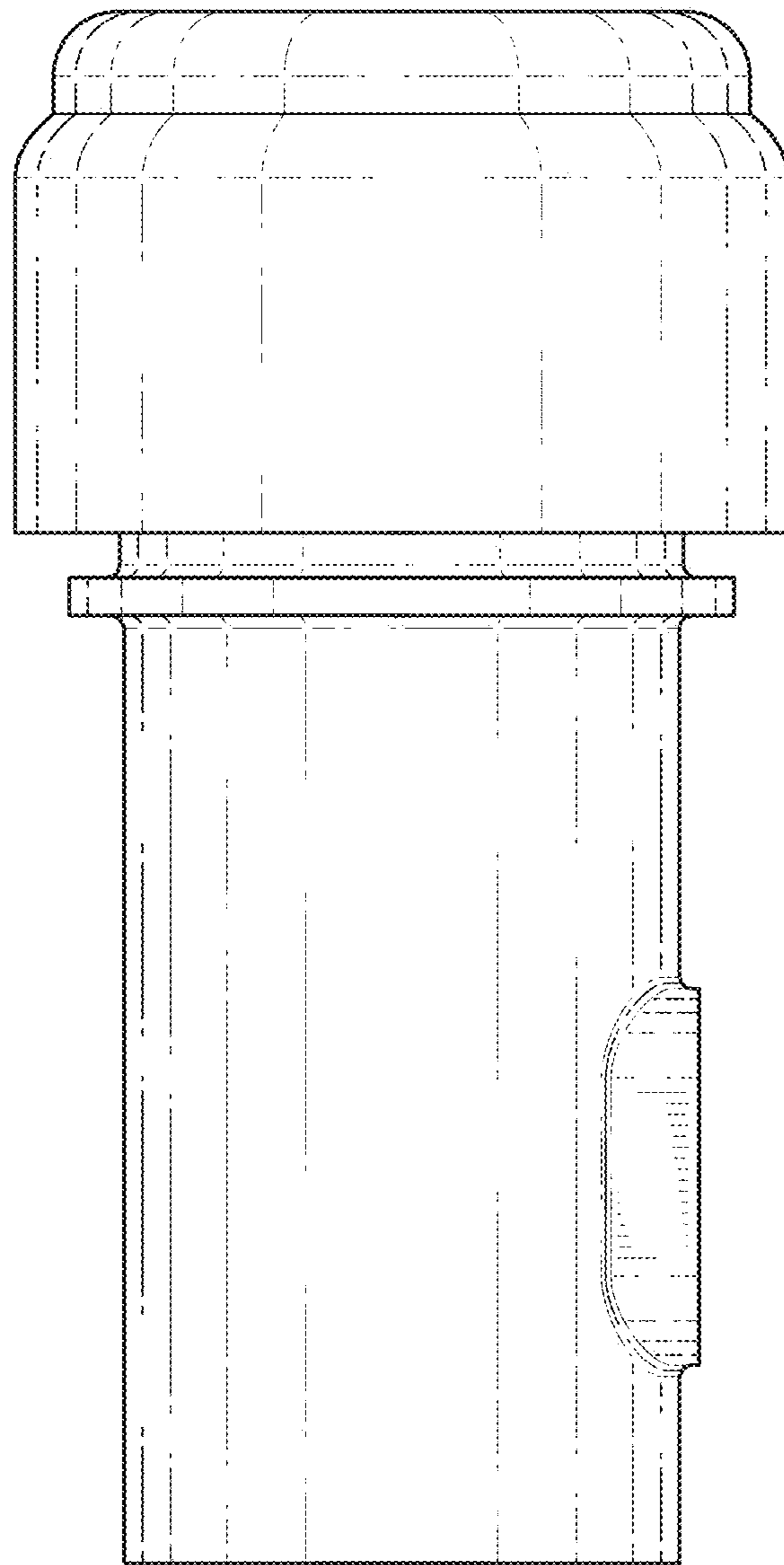


FIG. 7