



US00D901034S

(12) **United States Design Patent**  
**Zhang et al.**

(10) **Patent No.:** **US D901,034 S**  
(45) **Date of Patent:** **\*\* Nov. 3, 2020**

(54) **RADIO FREQUENCY BEAUTY INSTRUMENT**

(71) Applicant: **Shenzhen Cosbeauty Technology Co., Ltd.**, Shenzhen (CN)

(72) Inventors: **Huifeng Zhang**, Shenzhen (CN); **Hongtao Wang**, Shenzhen (CN); **Haobo Wu**, Shenzhen (CN); **Jie Zhang**, Shenzhen (CN); **Zi'ran Fang**, Shenzhen (CN); **Wanfu Huang**, Shenzhen (CN)

(73) Assignee: **Shenzhen Cosbeauty Technology Co., Ltd.**, Shenzhen (CN)

(\*\*) Term: **15 Years**

(21) Appl. No.: **29/594,704**

(22) Filed: **Feb. 22, 2017**

(30) **Foreign Application Priority Data**

Aug. 22, 2016 (CN) ..... 2016 3 0410186

(51) **LOC (12) Cl.** ..... **28-03**

(52) **U.S. Cl.**  
USPC ..... **D24/214**

(58) **Field of Classification Search**  
USPC ..... D24/200, 211, 212, 213, 214, 215;  
601/19, 22, 46, 52, 63, 80, 99, 104,  
(Continued)

(56) **References Cited**

**U.S. PATENT DOCUMENTS**

D263,998 S \* 4/1982 Oberheim ..... D24/214  
D281,625 S \* 12/1985 Yuen ..... D24/211  
(Continued)

*Primary Examiner* — Sandra Snapp

(57) **CLAIM**

The ornamental design for a radio frequency beauty instrument, as shown and described.

**DESCRIPTION**

FIG. 1 is a back, left perspective view of a radio frequency beauty instrument comprised of a first component and a second component;  
FIG. 2 is a front, left perspective view of the radio frequency beauty instrument;  
FIG. 3 is a front elevation view of the radio frequency beauty instrument;  
FIG. 4 is a back elevation view of the radio frequency beauty instrument;  
FIG. 5 is a left side elevation view of the radio frequency beauty instrument;  
FIG. 6 is a right side elevation view of the radio frequency beauty instrument;  
FIG. 7 is a top plan view of the radio frequency beauty instrument;  
FIG. 8 is a bottom plan view of the radio frequency beauty instrument;  
FIG. 9 is a back, right perspective view of the first component of the radio frequency beauty instrument, the second component removed for ease of illustration;  
FIG. 10 is a front, left perspective view of the first component of the radio frequency beauty instrument;  
FIG. 11 is a front elevation view of the first component of the radio frequency beauty instrument;  
FIG. 12 is a back elevation view of the first component of the radio frequency beauty instrument;  
FIG. 13 is a left side elevation view of the first component of the radio frequency beauty instrument;  
FIG. 14 is a right side elevation view of the first component of the radio frequency beauty instrument;  
FIG. 15 is a top plan view of the first component of the radio frequency beauty instrument;  
FIG. 16 is a bottom plan view of the first component of the radio frequency beauty instrument;  
FIG. 17 is a back, right perspective view of the second component of the radio frequency beauty instrument, the first component removed for ease of illustration;  
FIG. 18 is a front, left perspective view of the second component of the radio frequency beauty instrument;  
FIG. 19 is a front elevation view of the second component of the radio frequency beauty instrument;

(Continued)

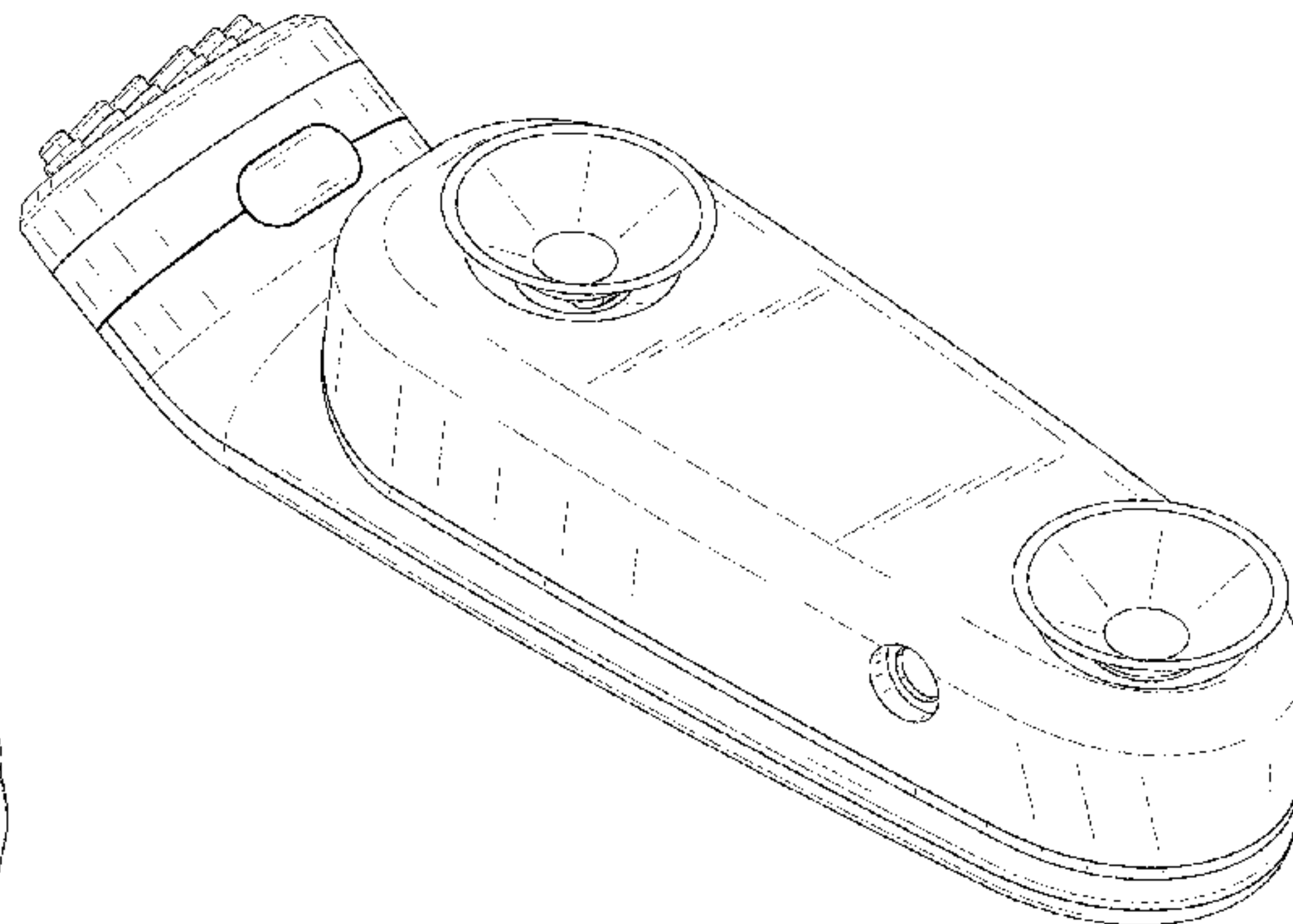
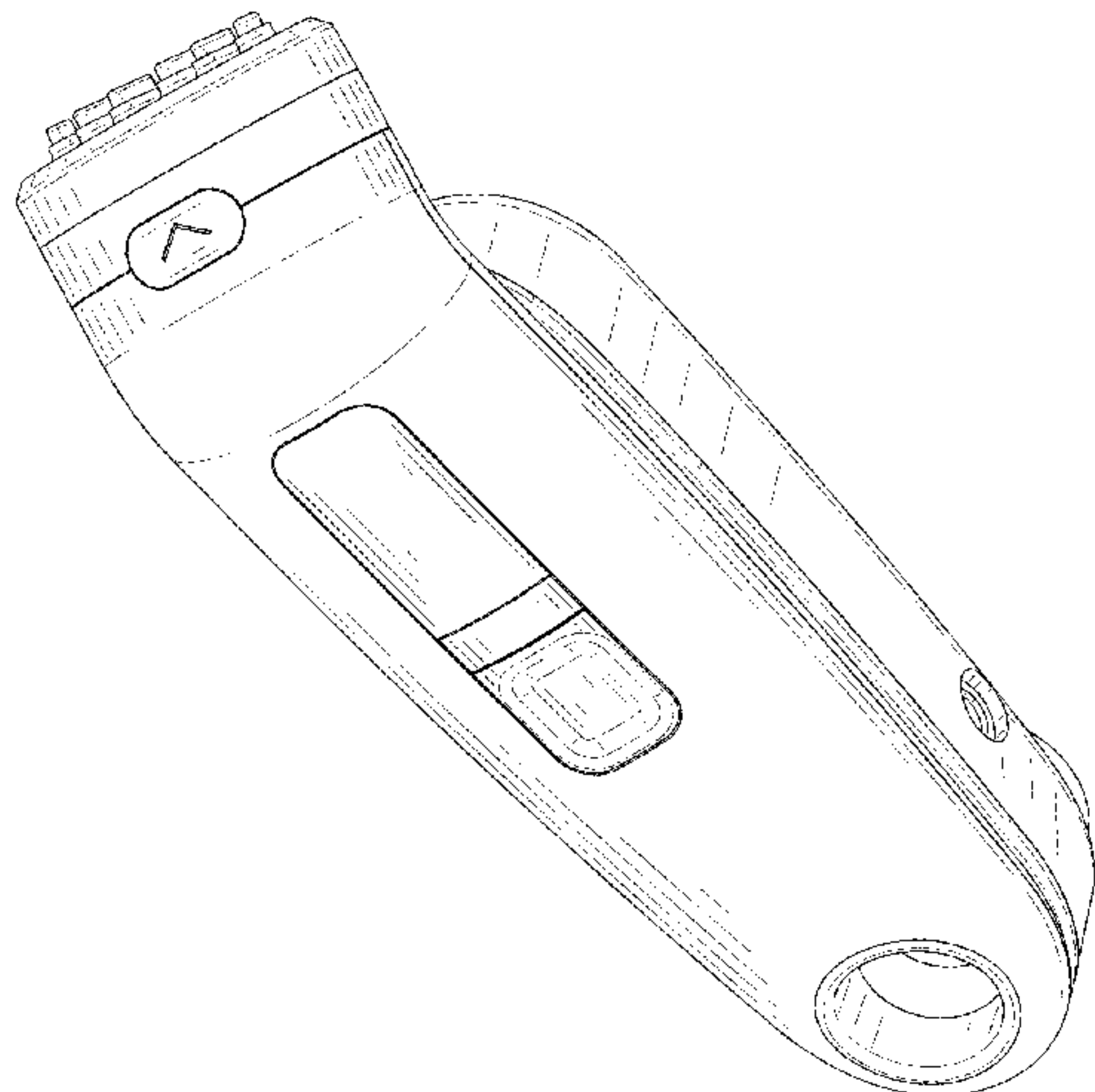


FIG. 20 is a back elevation view of the second component of the radio frequency beauty instrument;  
 FIG. 21 is a left side elevation view of the second component of the radio frequency beauty instrument;  
 FIG. 22 is a right side elevation view of the second component of the radio frequency beauty instrument;  
 FIG. 23 is a top plan view of the second component of the radio frequency beauty instrument; and,  
 FIG. 24 is a bottom plan view of the second component of the radio frequency beauty instrument.

**1 Claim, 24 Drawing Sheets**

**(58) Field of Classification Search**

USPC ..... 601/110–114, 118–120, 125, 134, 151, 601/152, DIG. 12, DIG. 14, DIG. 15, 601/DIG. 16, DIG. 17  
 CPC ..... A61H 1/00; A61H 1/001; A61H 1/0237; A61H 2015/0007; A61H 2015/0014; A61H 2015/0042; A61H 2015/0064; A61H 15/00; A61H 2011/005; A61H 19/44; A61H 19/50; A61H 21/00; A61H 37/00

See application file for complete search history.

**(56) References Cited**

U.S. PATENT DOCUMENTS

D321,056 S \* 10/1991 Chambers ..... D24/211

D331,288 S *	11/1992	Yuen	.....	D24/200
D366,703 S *	1/1996	Huen	.....	D13/108
D377,394 S *	1/1997	Tillman	.....	D24/215
D533,943 S *	12/2006	Chen	.....	D24/146
D561,343 S *	2/2008	Liang	.....	D24/215
D569,523 S *	5/2008	Hsieh	.....	D24/206
D582,048 S *	12/2008	Chiu	.....	D24/200
D773,823 S *	12/2016	Wong	.....	D4/102
D819,221 S *	5/2018	Lei	.....	D24/200
2002/0049399 A1 *	4/2002	Stampf	.....	A46B 9/02 601/114
2008/0103560 A1 *	5/2008	Powell	.....	A61N 5/0616 607/88
2011/0184499 A1 *	7/2011	Radi	.....	A61H 7/005 607/88
2013/0023805 A1 *	1/2013	Ungemach	.....	A61H 7/005 601/114
2013/0023806 A1 *	1/2013	Ungemach	.....	A61H 7/005 601/114
2015/0141884 A1 *	5/2015	Thiebaut	.....	A61H 7/00 601/112
2015/0164733 A1 *	6/2015	Thiebaut	.....	A61H 7/005 601/114
2015/0173998 A1 *	6/2015	Thiebaut	.....	A61H 7/005 601/114
2016/0184175 A1 *	6/2016	Caberlotto	.....	A61H 15/0085 601/114
2016/0184176 A1 *	6/2016	Caberlotto	.....	A61H 15/0085 601/114
2016/0184177 A1 *	6/2016	Caberlotto	.....	A61H 15/0085 601/114

\* cited by examiner

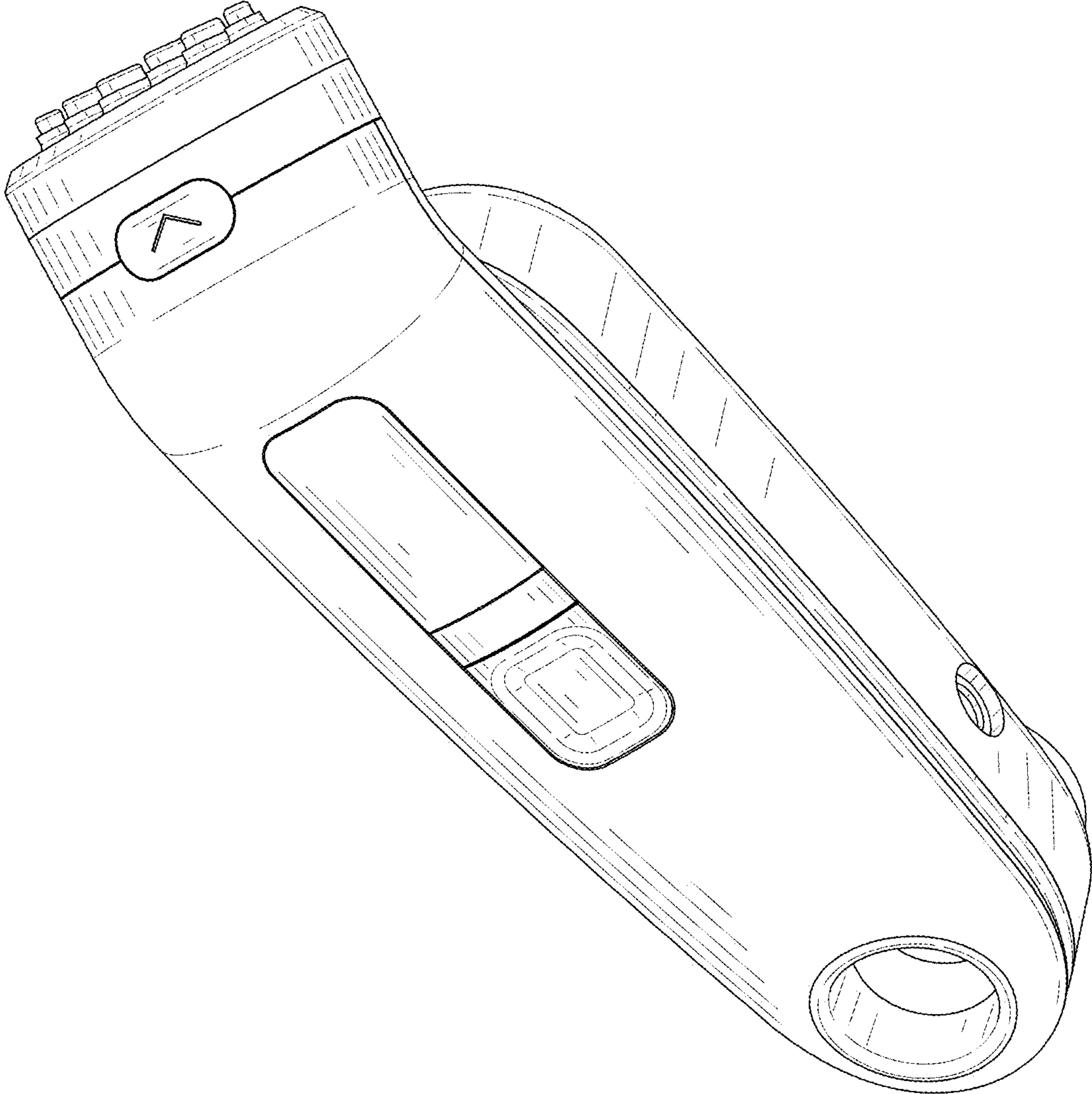


FIG. 1



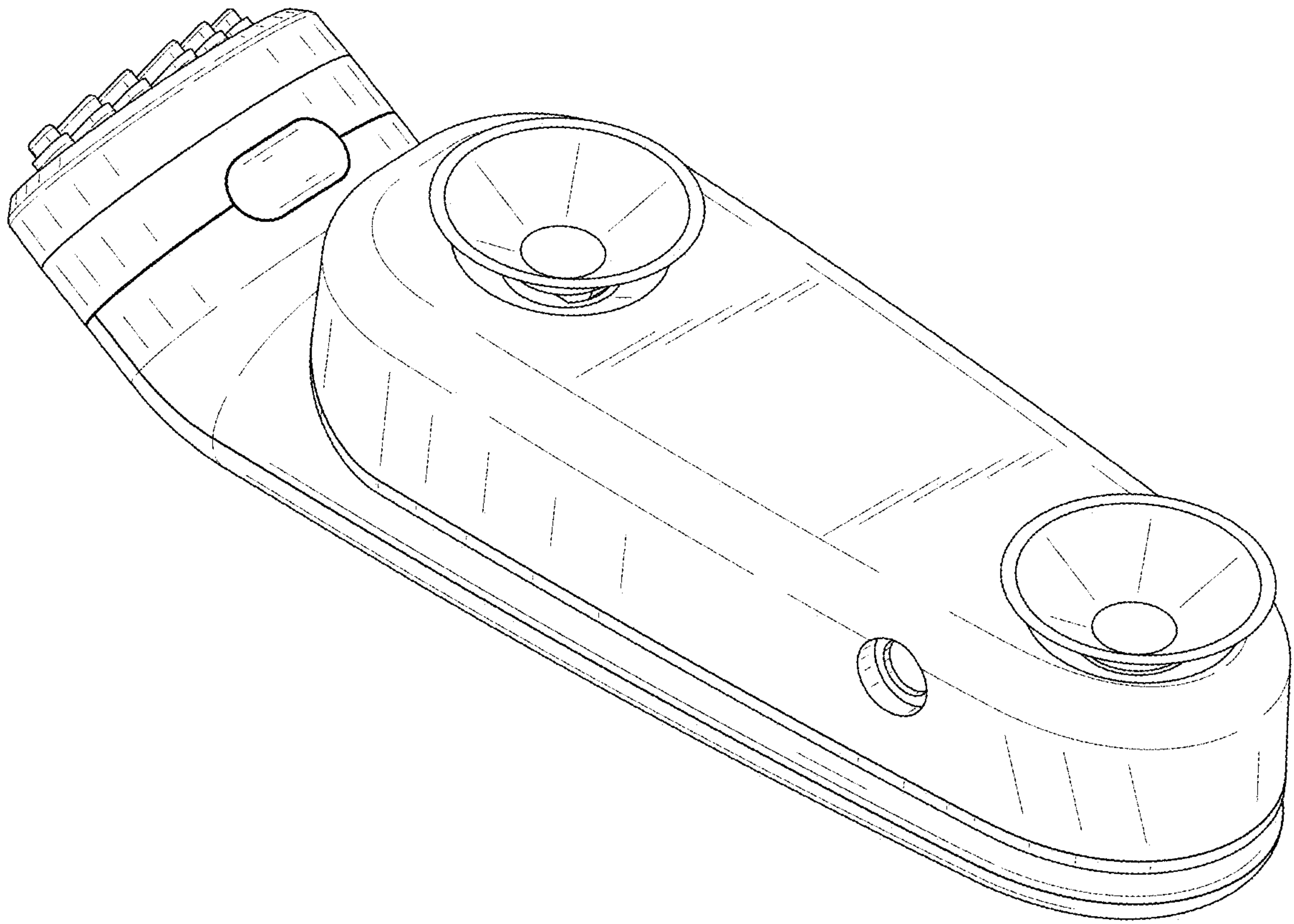


FIG. 2

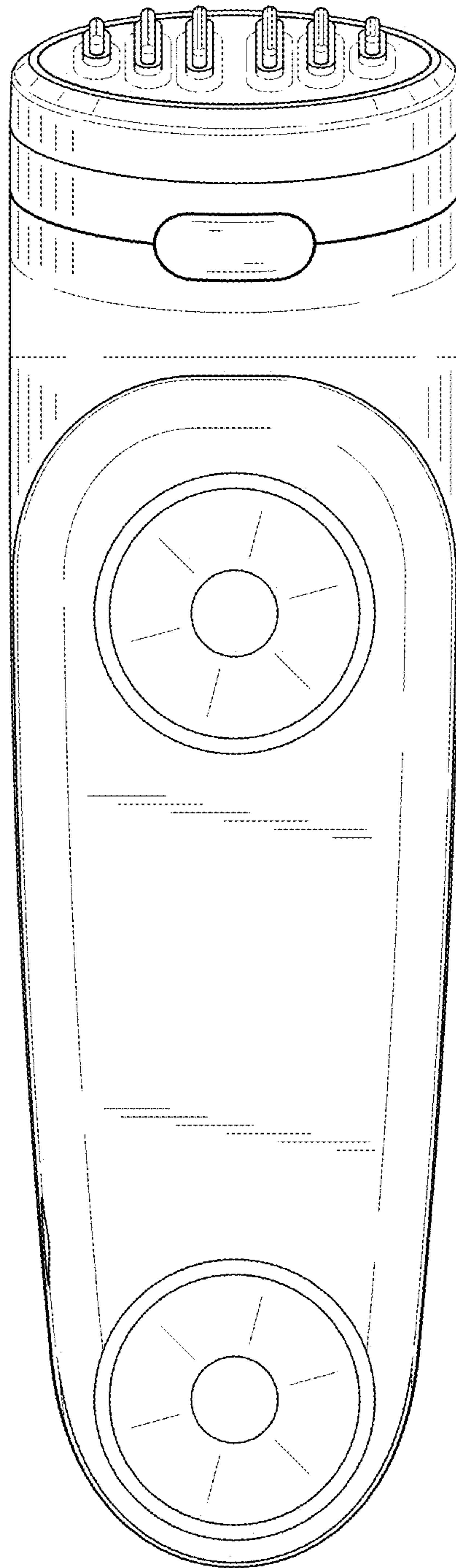


FIG. 3

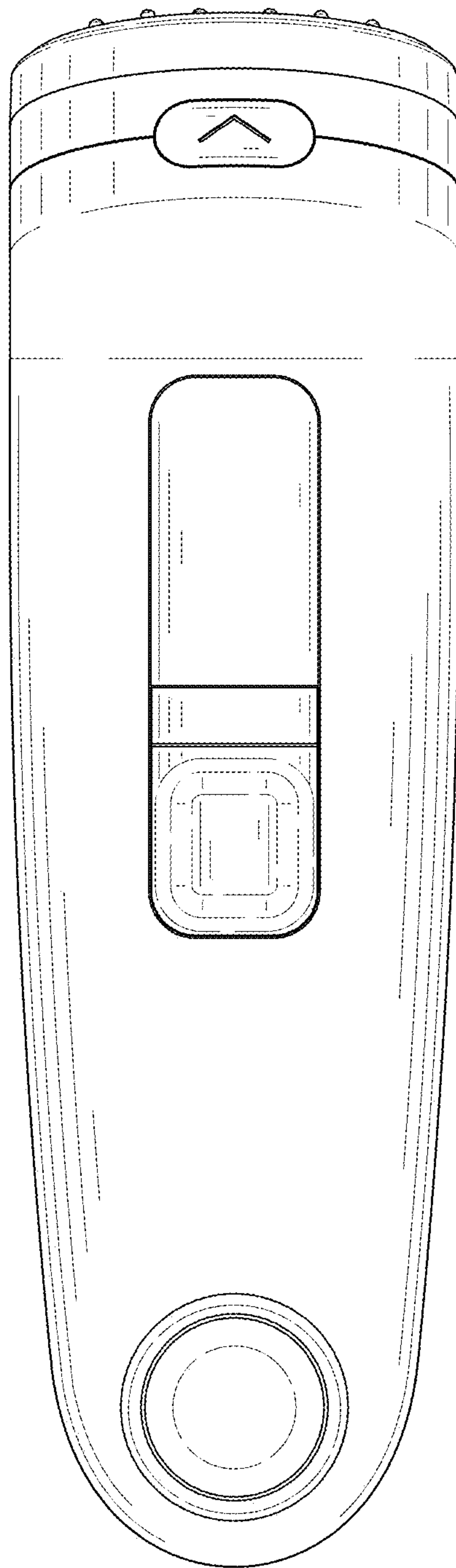


FIG. 4

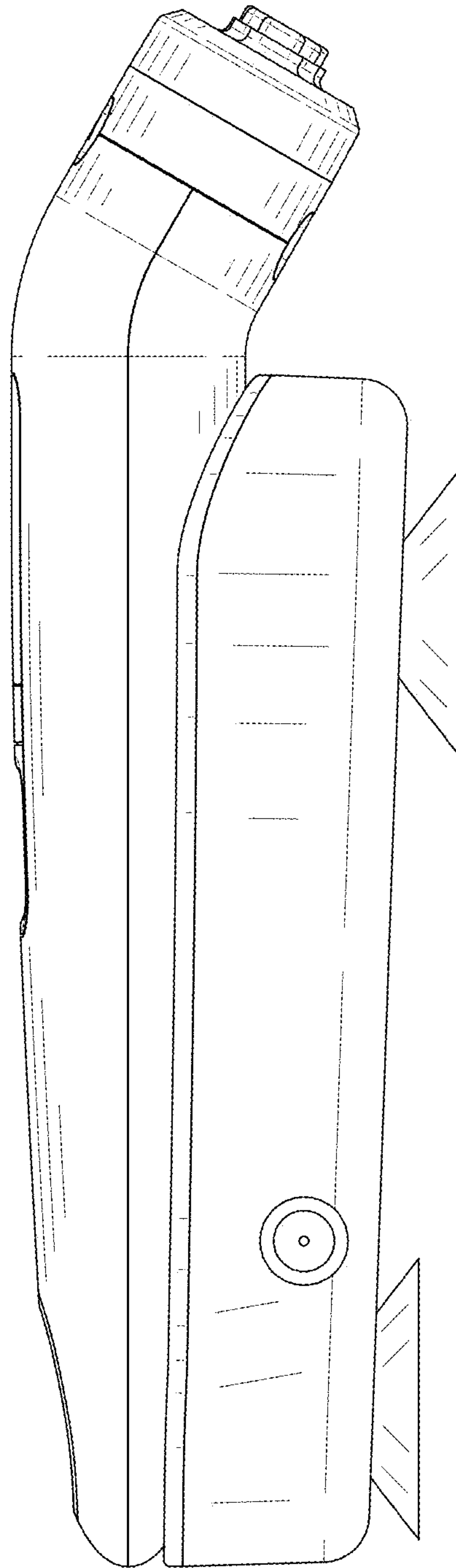


FIG. 5

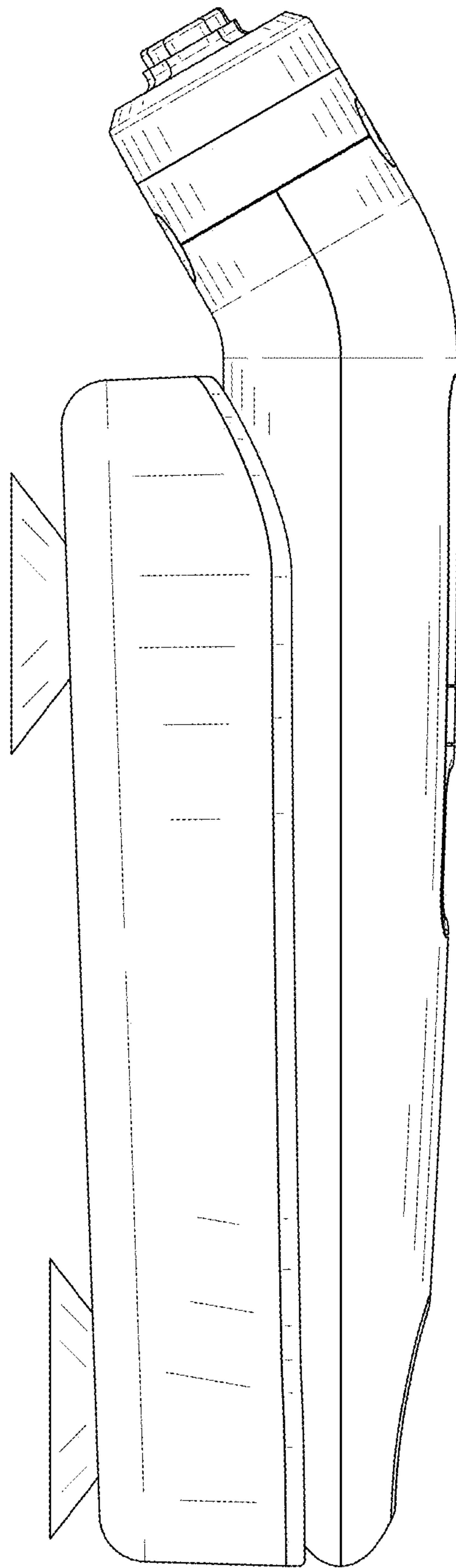


FIG. 6



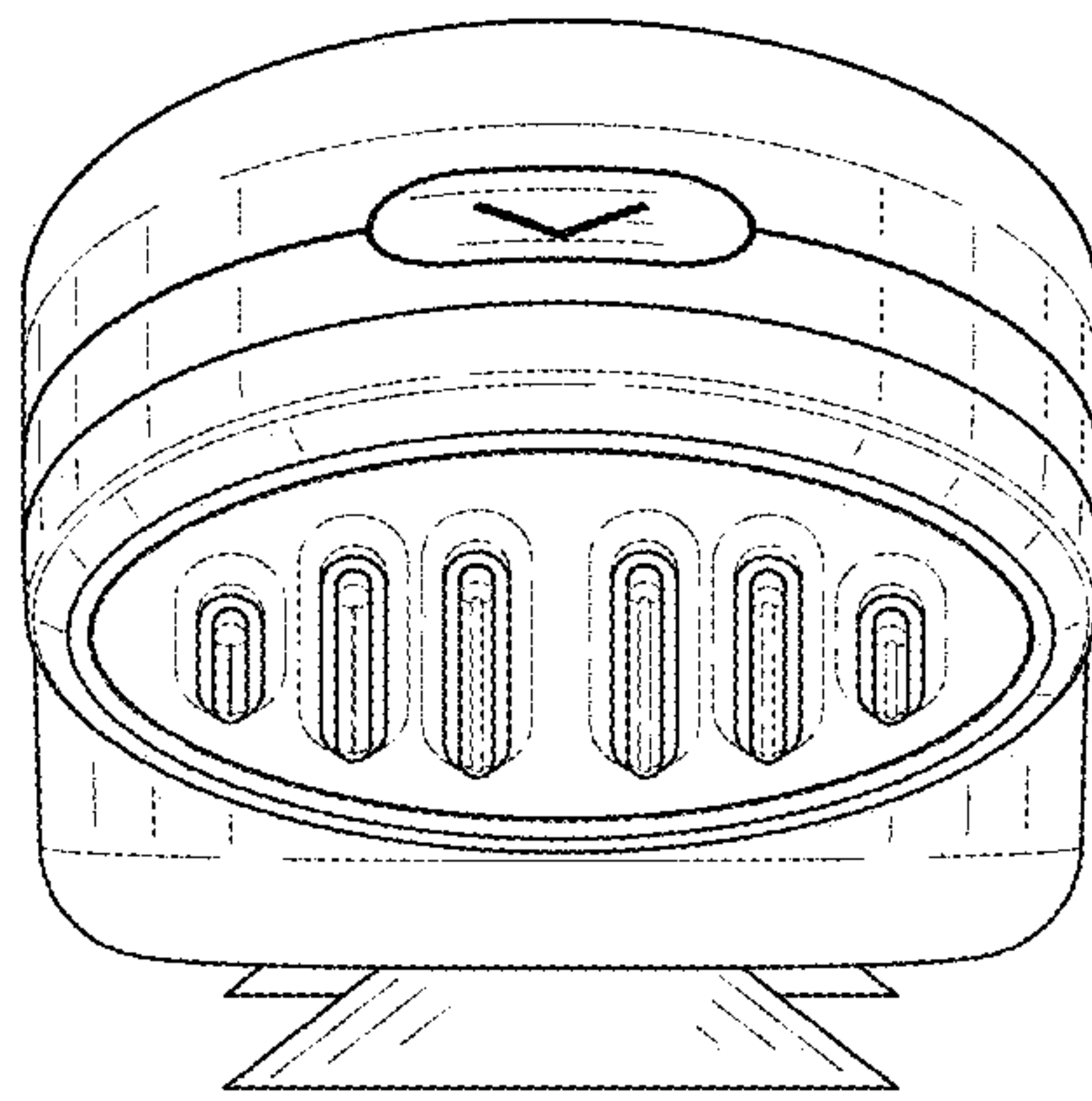


FIG. 7

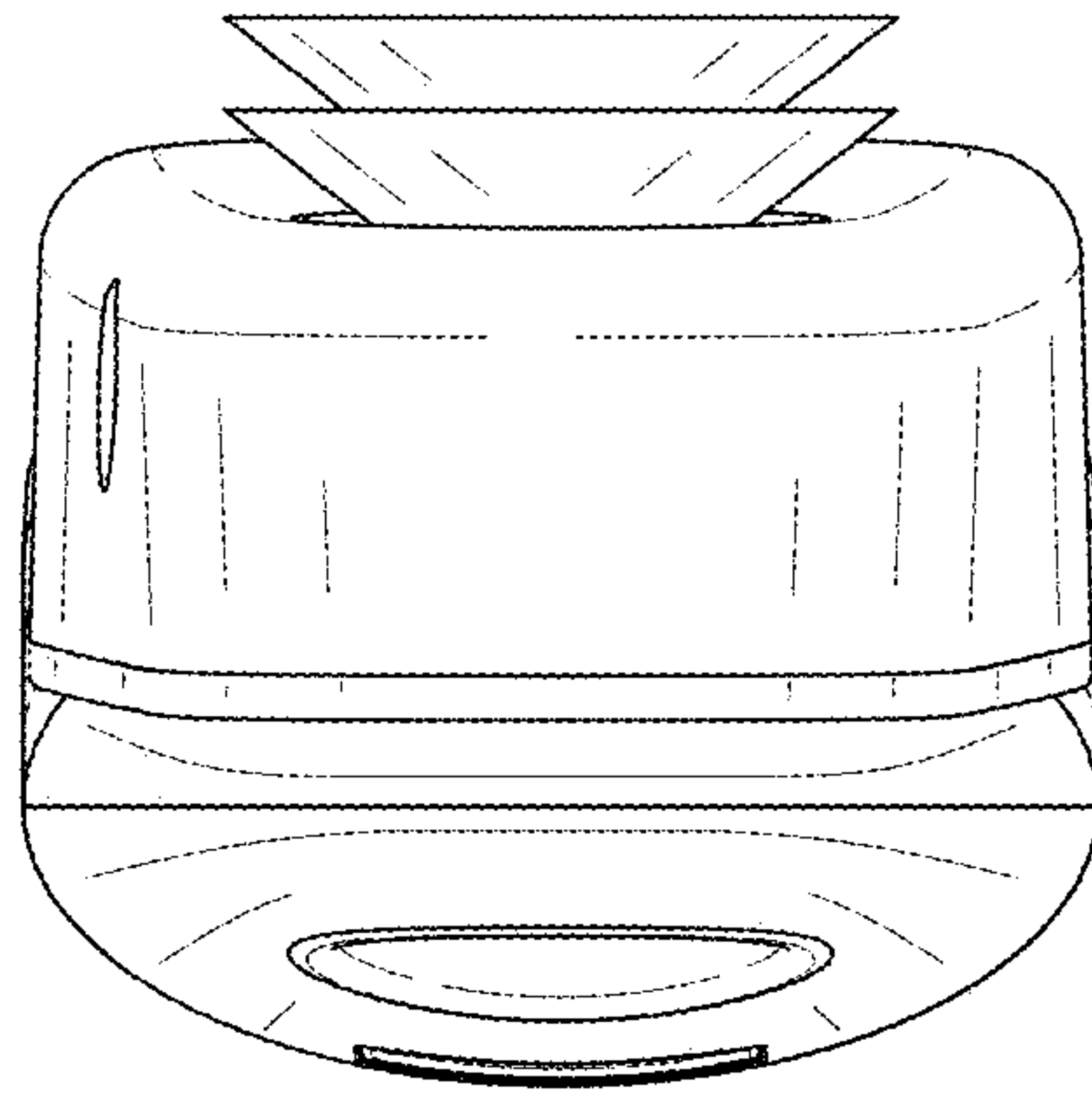


FIG. 8

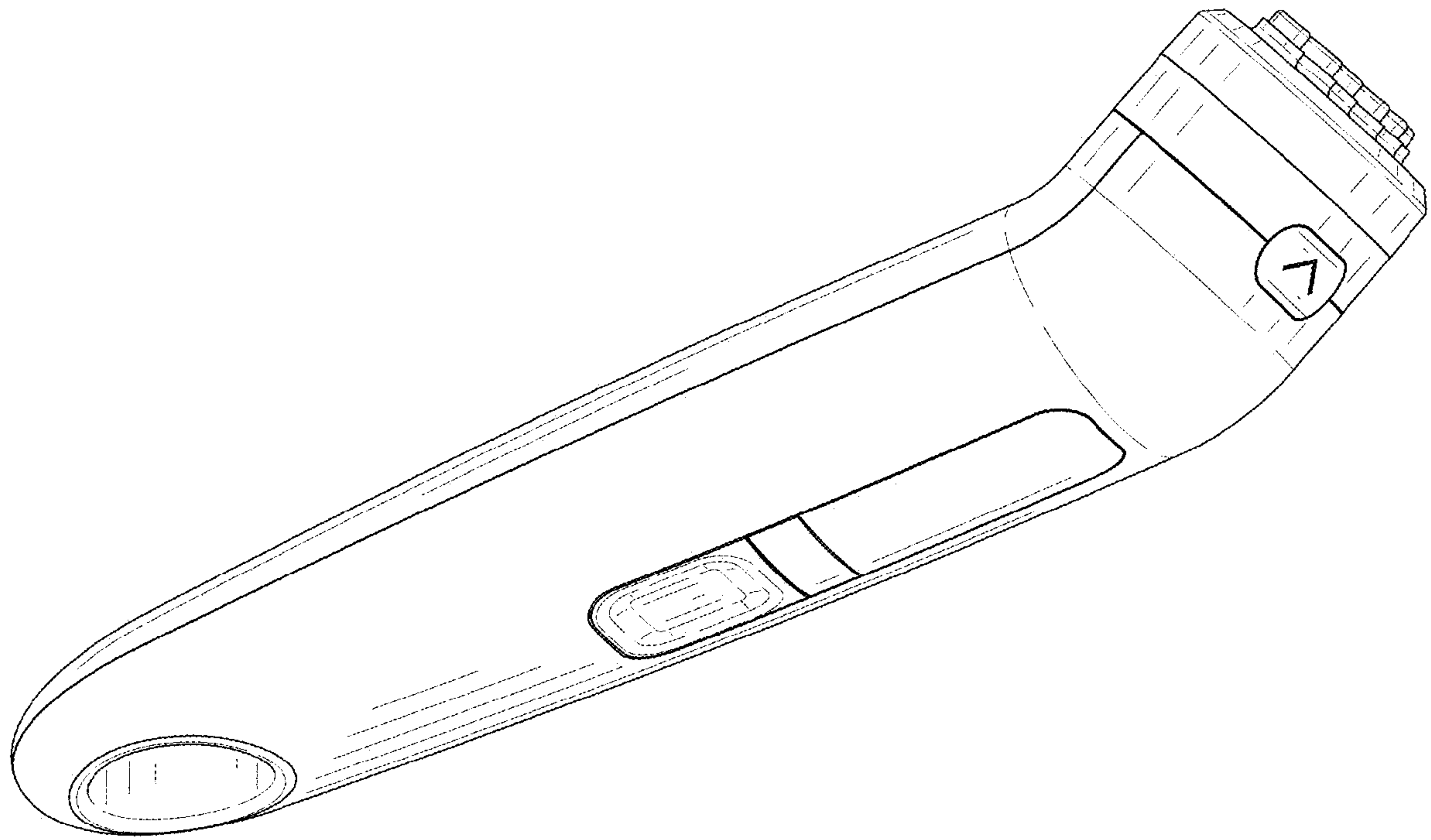


FIG. 9

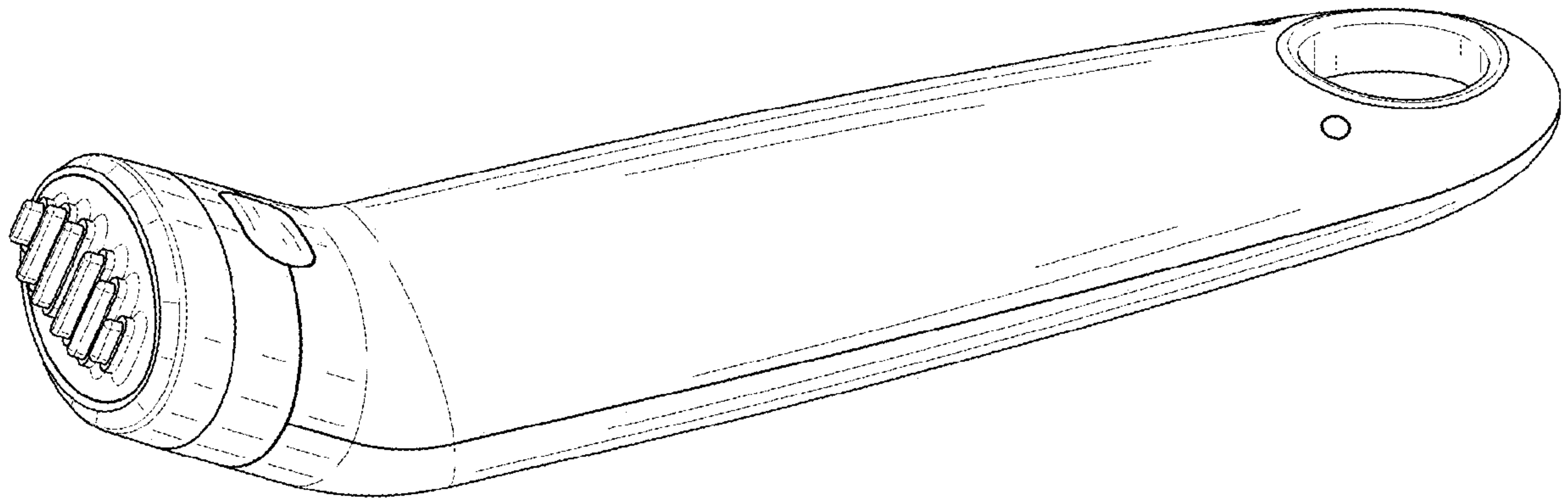


FIG. 10



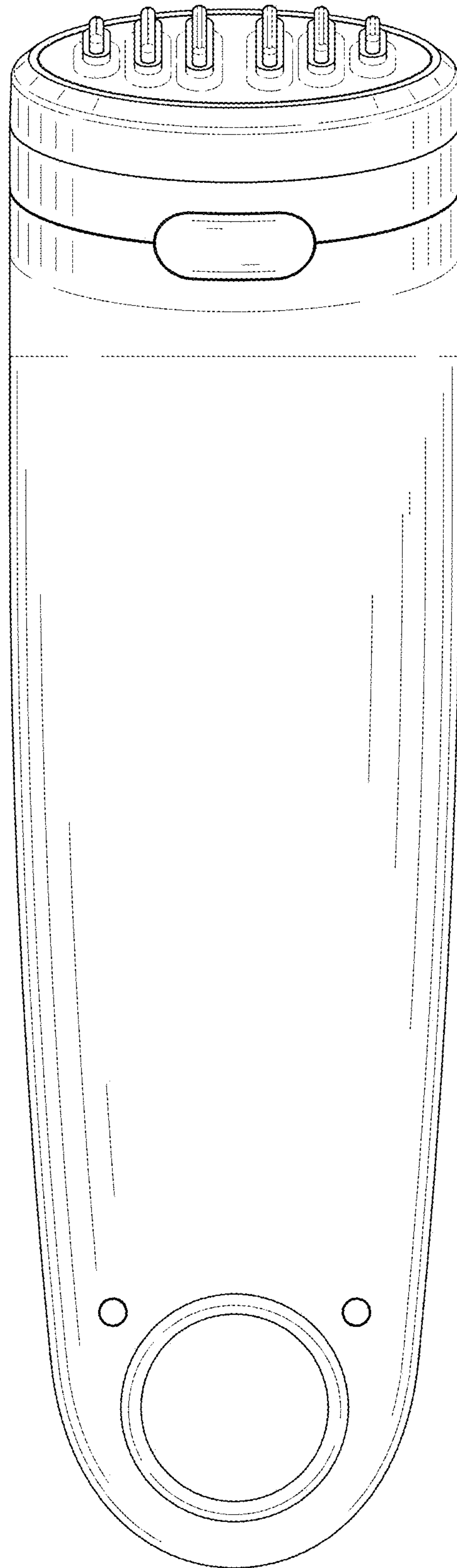


FIG. 11

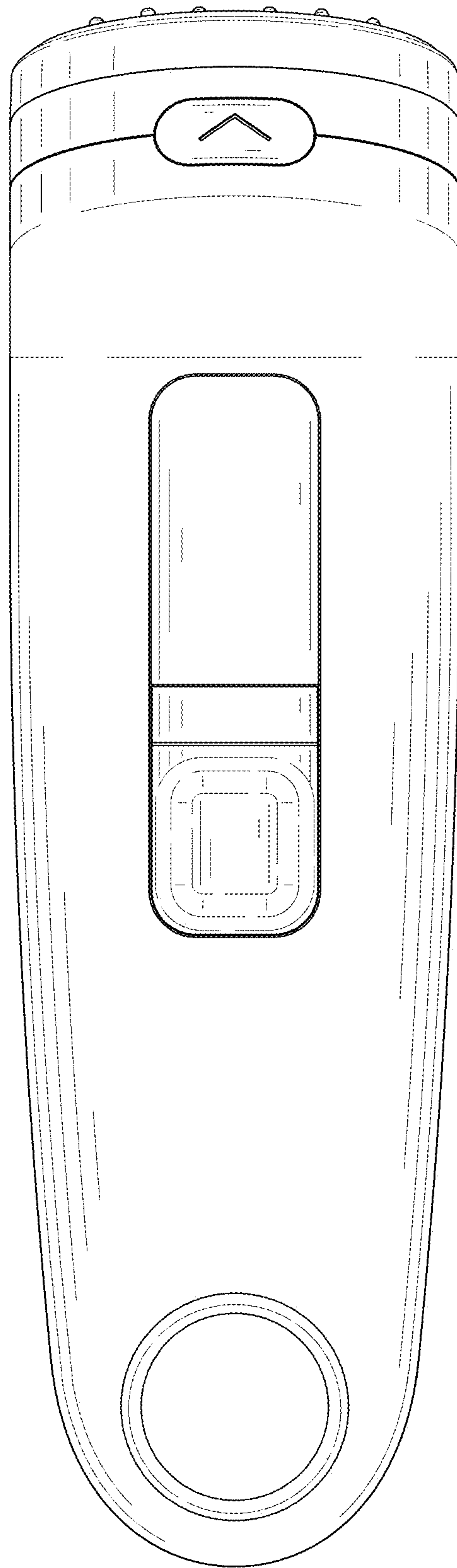


FIG. 12

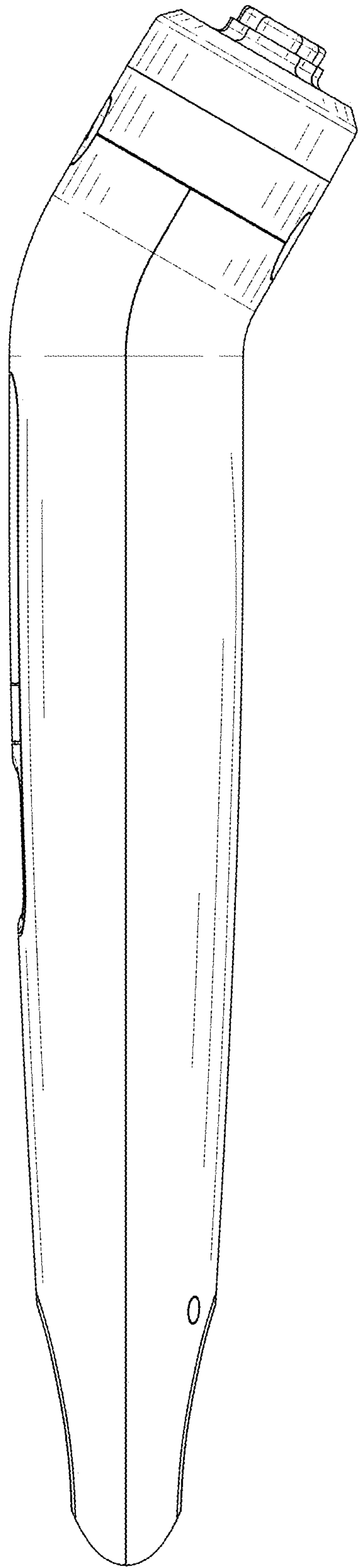


FIG. 13

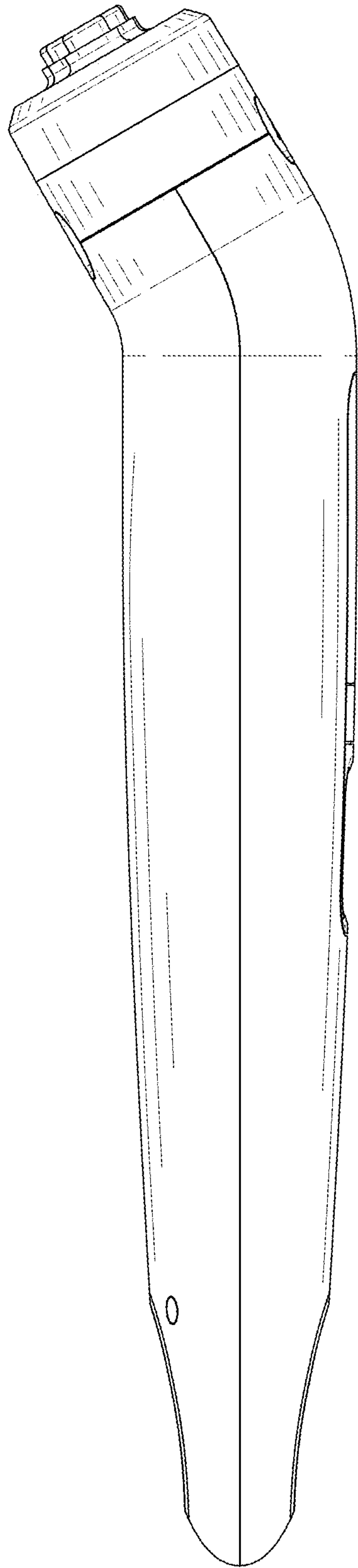


FIG. 14



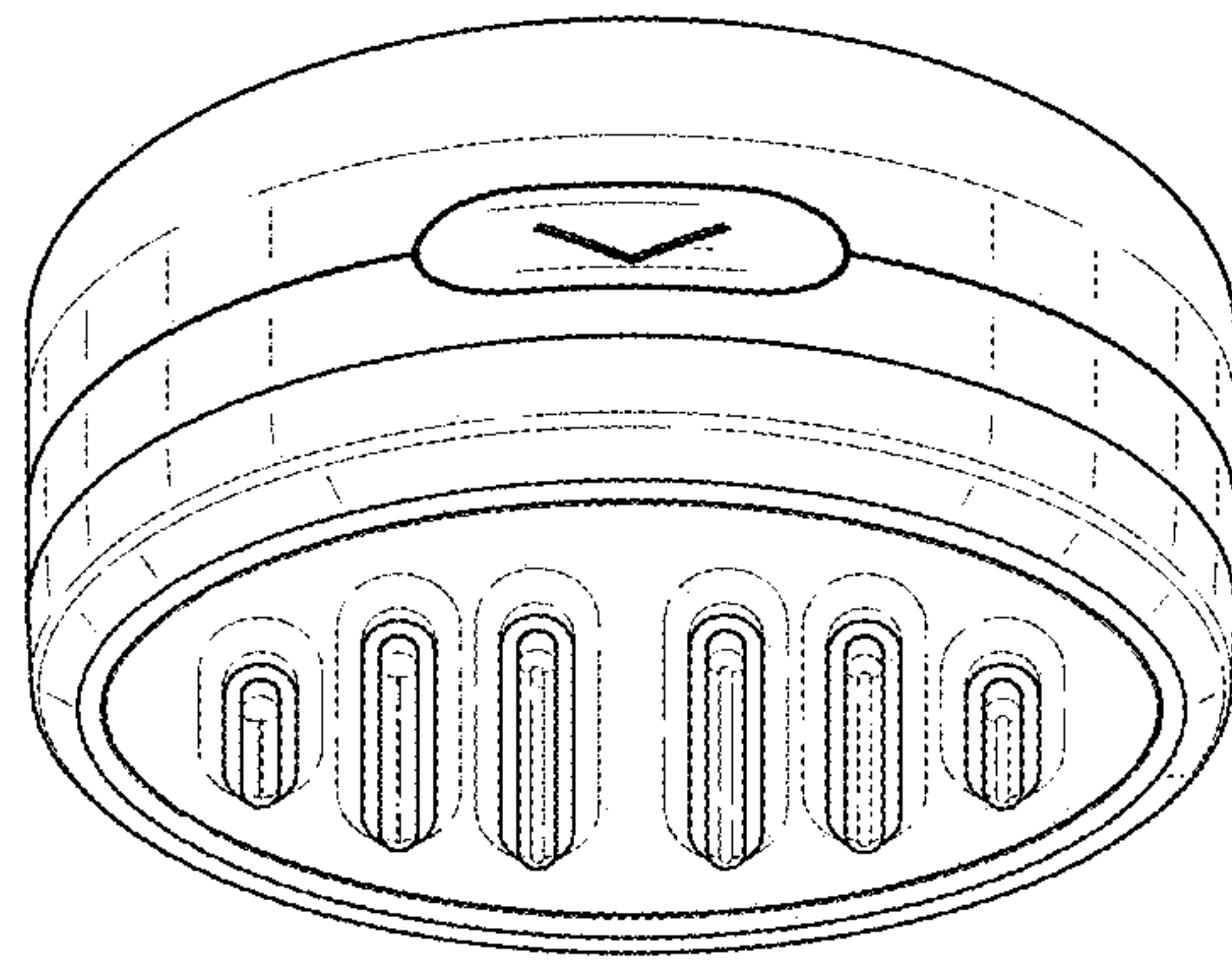


FIG. 15

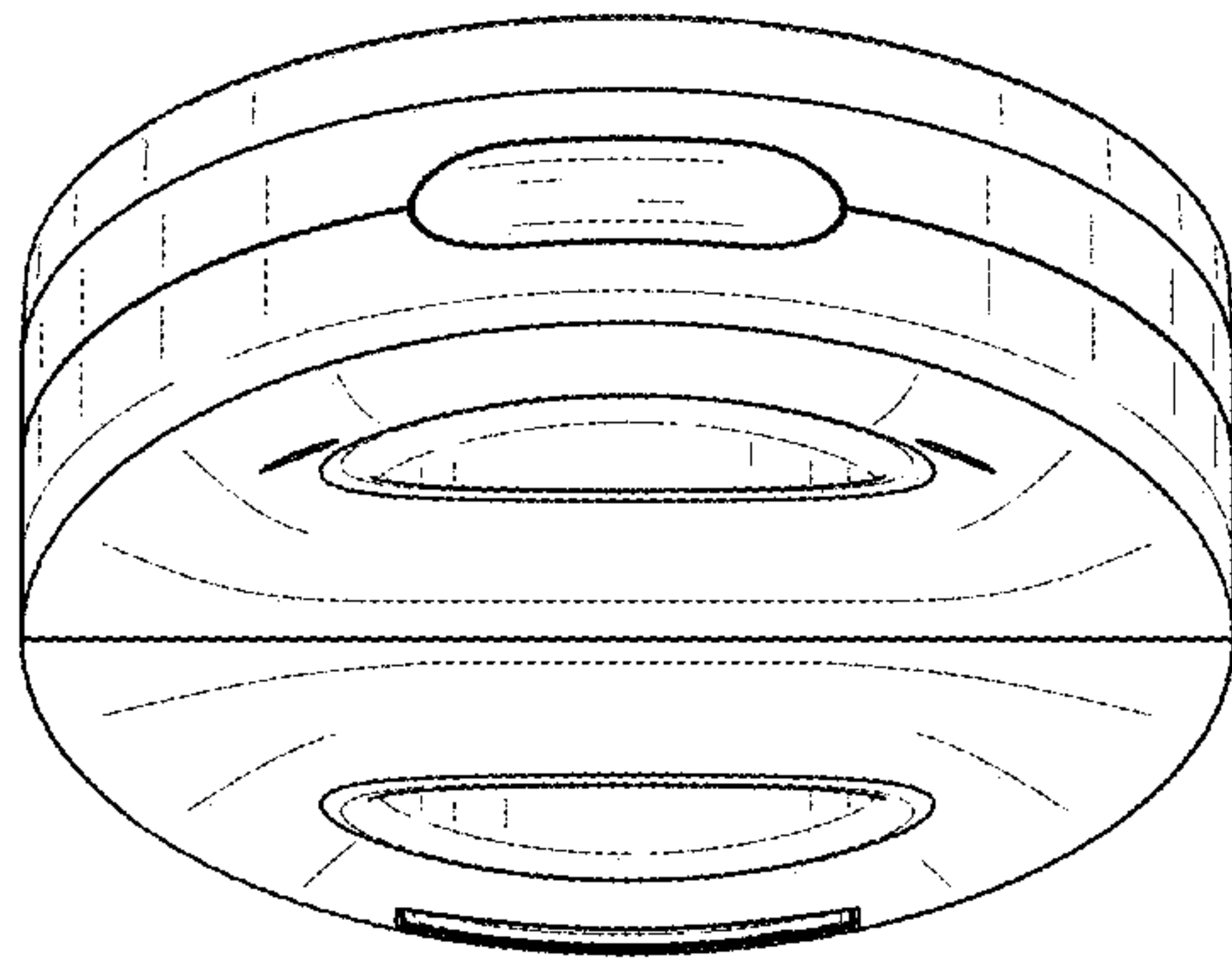


FIG. 16

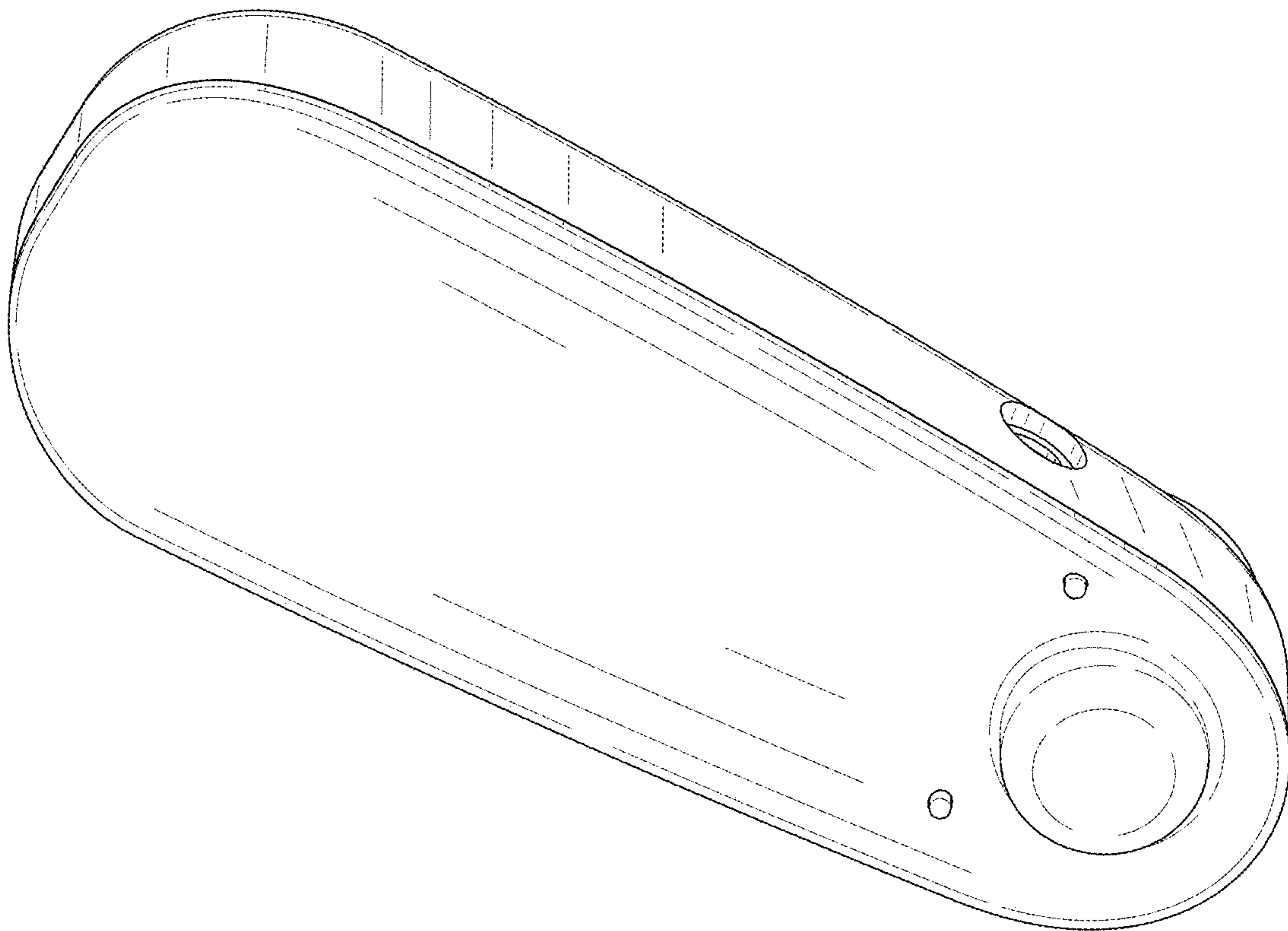


FIG. 17

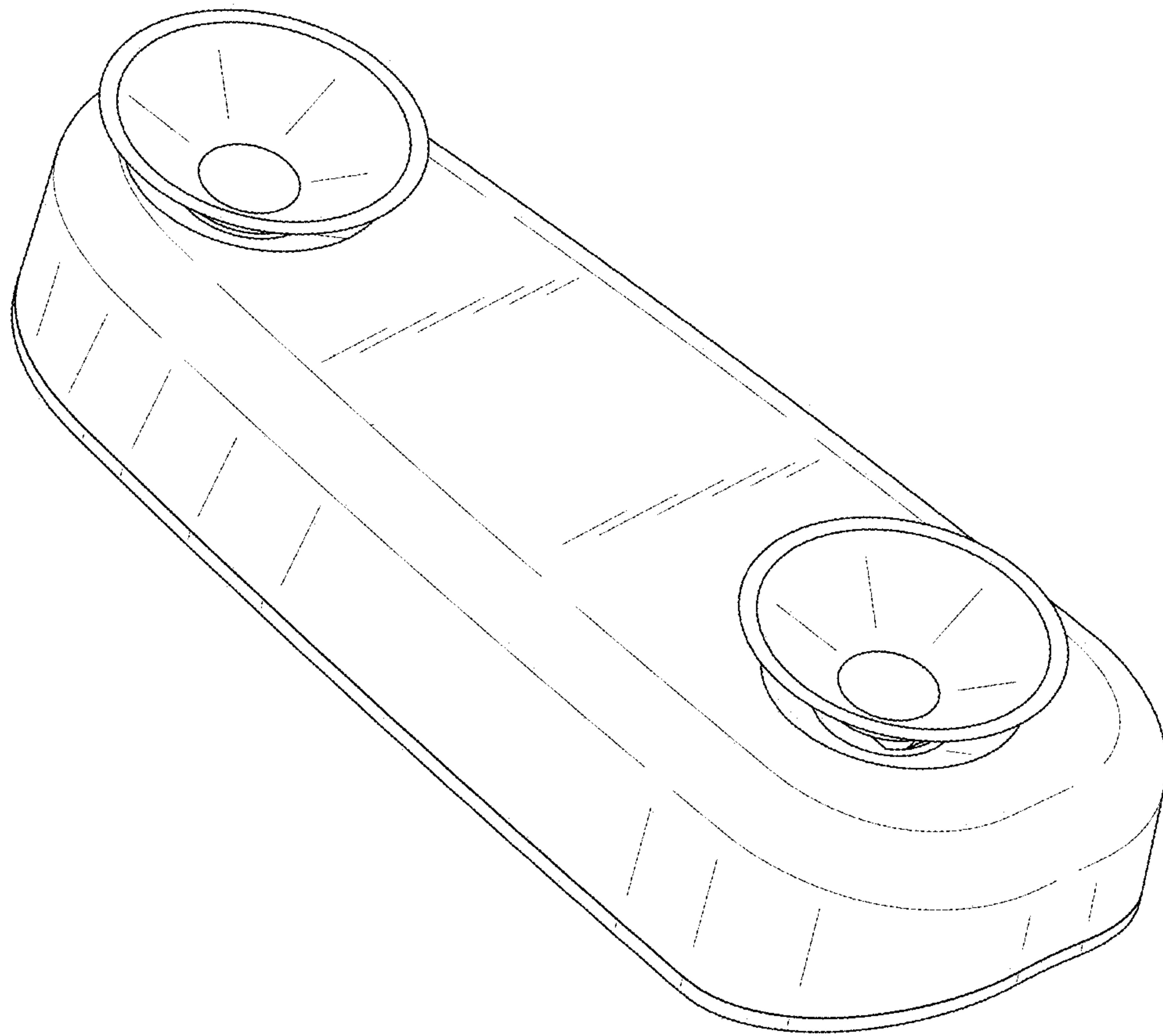


FIG. 18



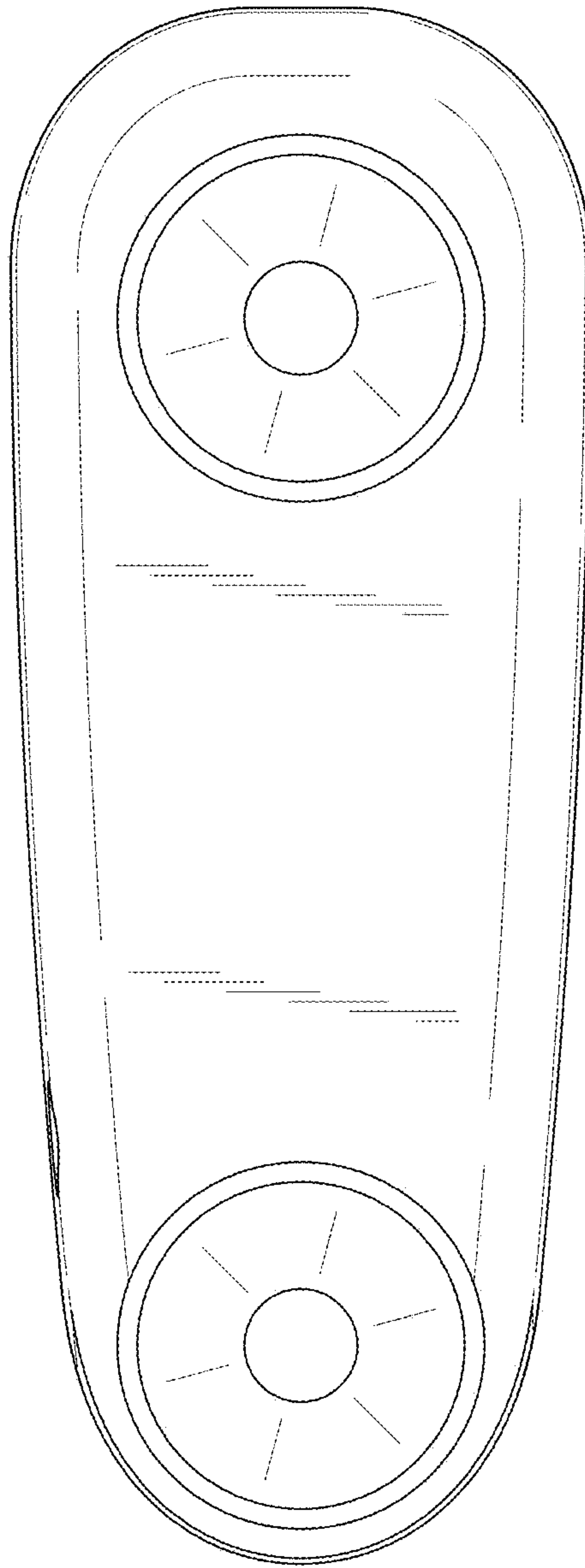


FIG. 19

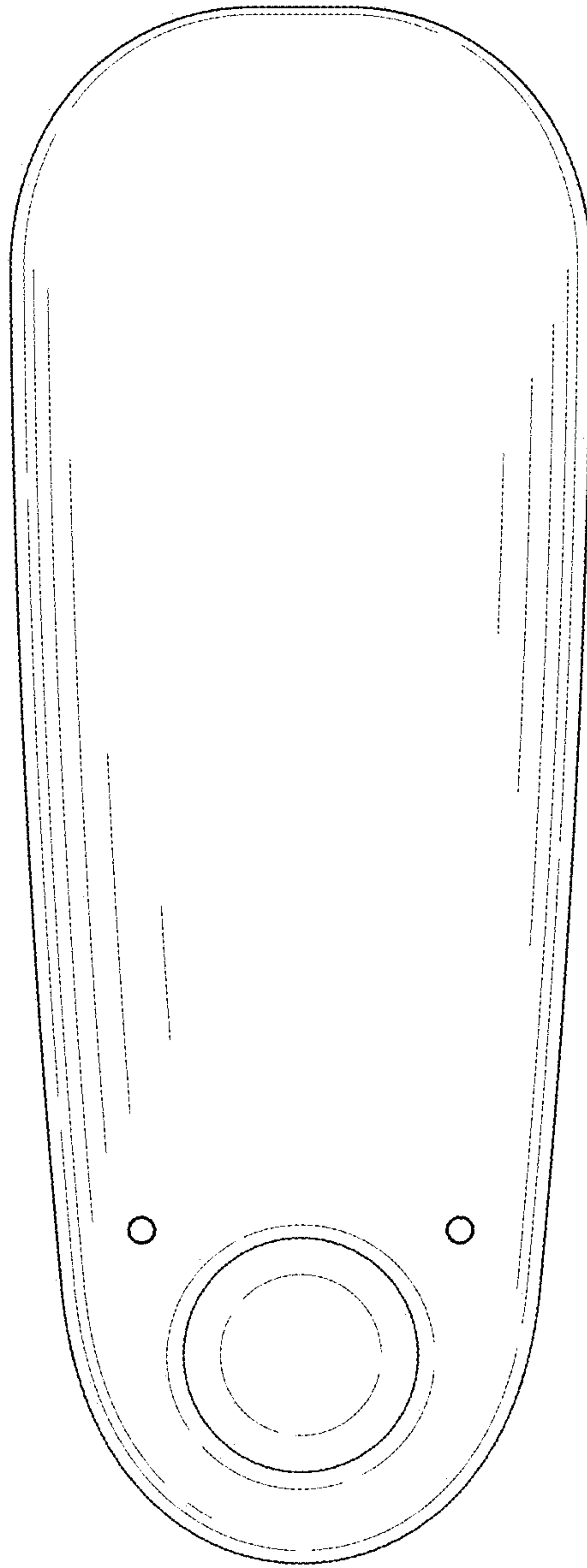


FIG. 20

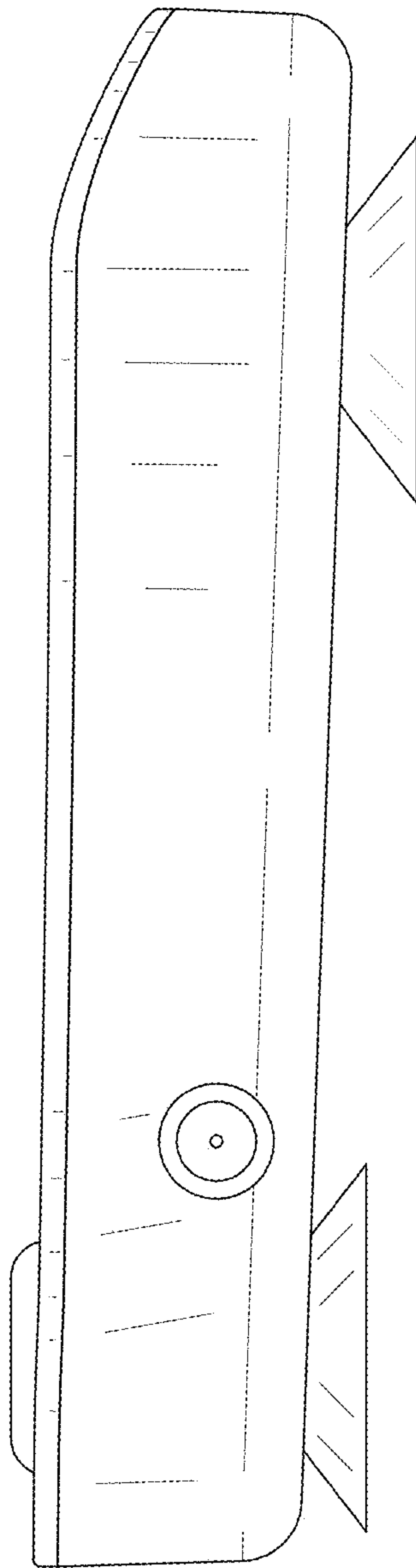


FIG. 21

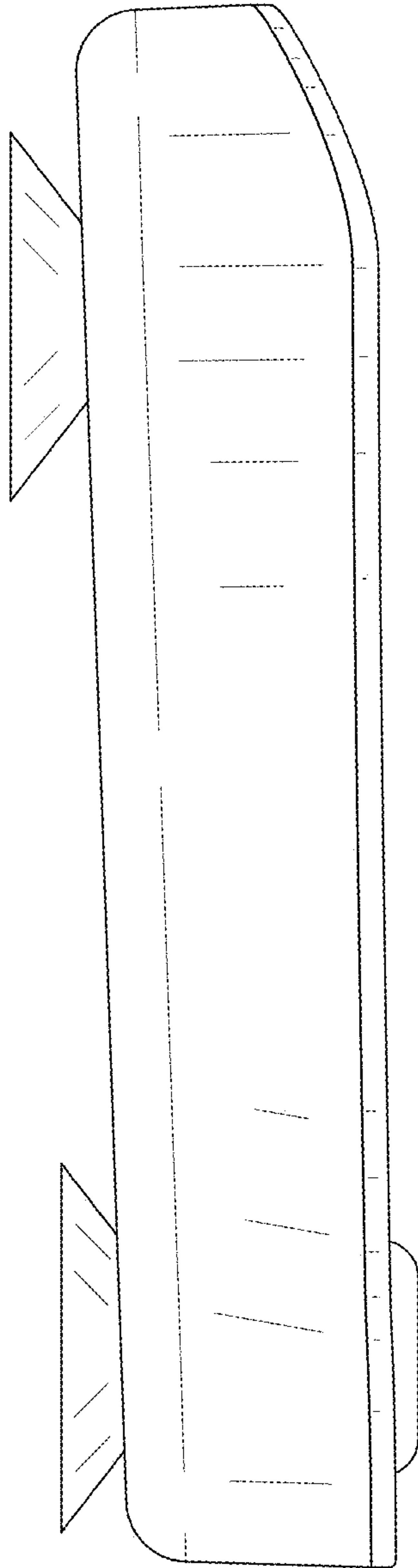


FIG. 22



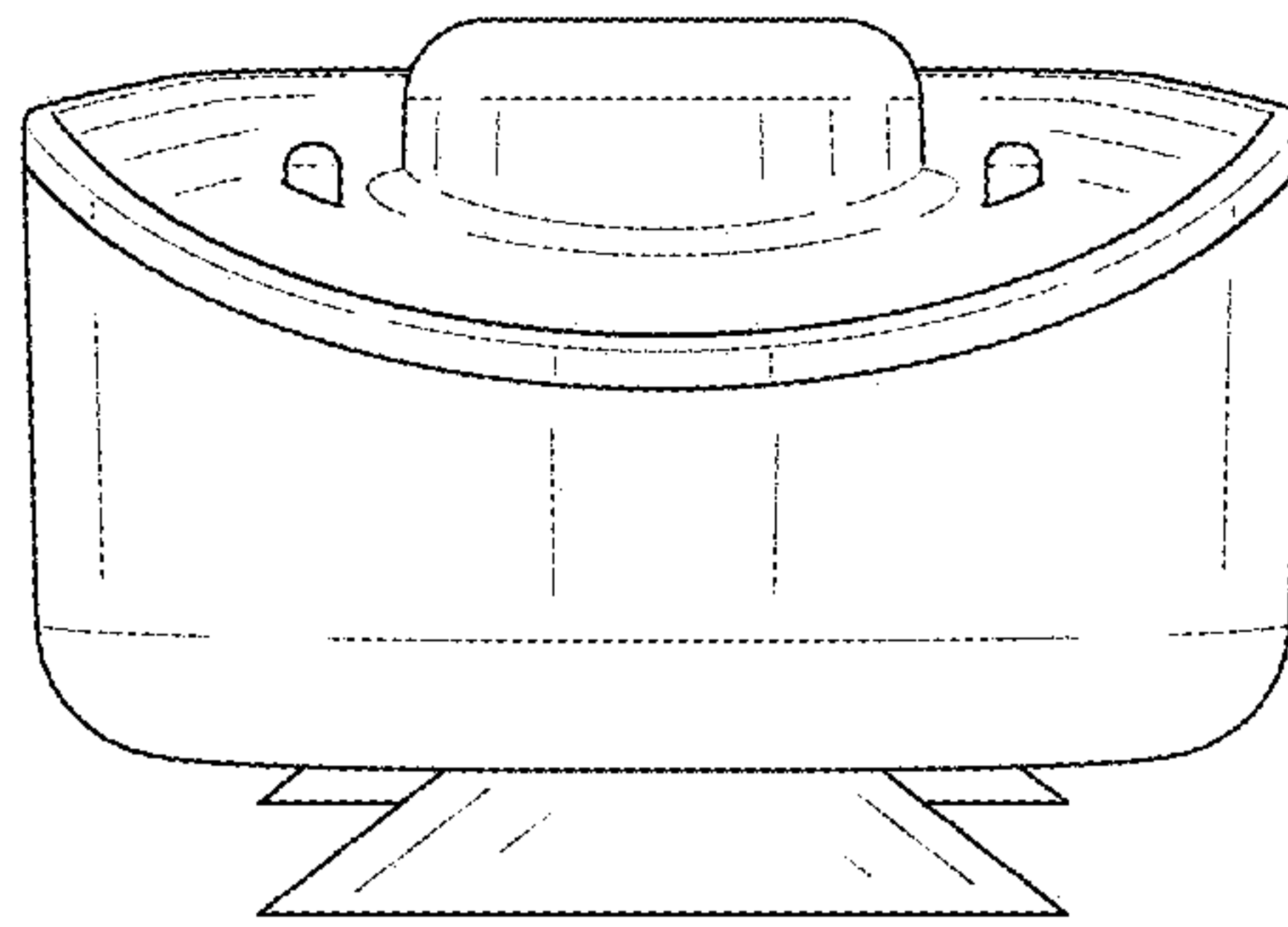


FIG. 23

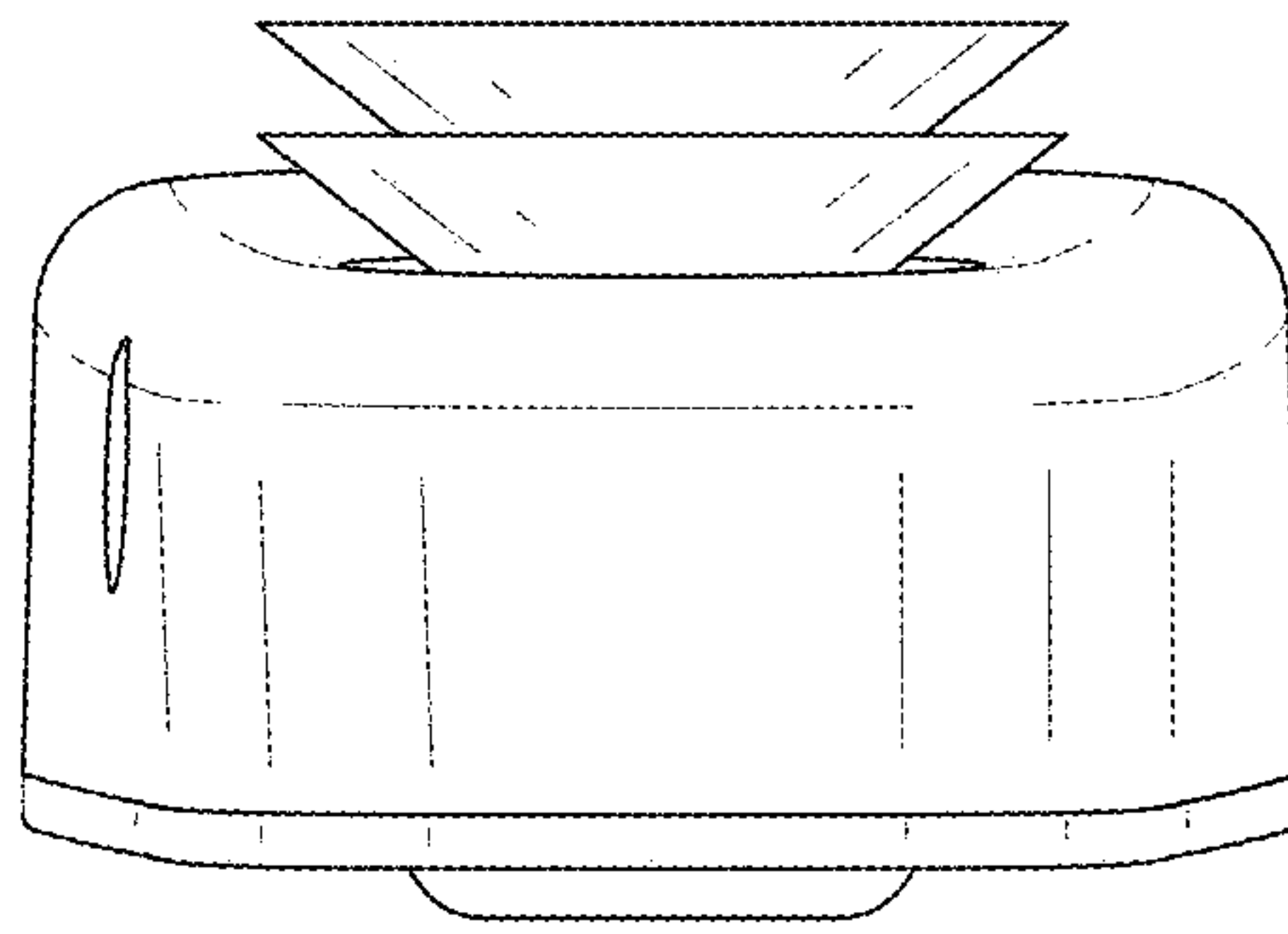


FIG. 24