



US00D901033S

(12) **United States Design Patent**
Liang

(10) **Patent No.:** **US D901,033 S**

(45) **Date of Patent:** **** Nov. 3, 2020**

(54) **MASSAGER**

(71) Applicant: **Kangyu Liang**, Shenzhen (CN)

(72) Inventor: **Kangyu Liang**, Shenzhen (CN)

(**) Term: **15 Years**

(21) Appl. No.: **29/731,381**

(22) Filed: **Apr. 14, 2020**

(51) **LOC (12) Cl.** **28-03**

(52) **U.S. Cl.**
USPC **D24/211**

(58) **Field of Classification Search**

USPC D16/310, 312, 320, 324; D24/200, 214,
D24/215; D29/102, 105, 106, 108, 110
CPC . A63B 33/002; A61F 9/02; A61F 9/04; A61F
9/06; A61H 5/00; A61H 2205/024
See application file for complete search history.

(56) **References Cited**

U.S. PATENT DOCUMENTS

D201,101 S *	5/1965	Gilbert	D16/312
4,043,637 A *	8/1977	Hovey	A61F 9/023
			359/241
D274,385 S *	6/1984	Newcomb	D29/108
D293,373 S *	12/1987	Beck	D16/312
4,938,582 A *	7/1990	Leslie	A61H 5/00
			351/158
D311,263 S *	10/1990	Russell	D24/189
D320,289 S *	9/1991	Blackstone	D16/312
D366,732 S *	1/1996	Gregg	D29/108
D375,317 S *	11/1996	Canavan	D16/101
D377,241 S *	1/1997	Kenner	D24/190
D428,620 S *	7/2000	Maturaporn	2/12
D428,906 S *	8/2000	Bolle	D16/312
D477,347 S *	7/2003	Brueck	D16/312
D478,926 S *	8/2003	Moritz	D16/312
D484,524 S *	12/2003	Wiedner	D16/312
D653,695 S *	2/2012	Tobia	D16/312
D730,430 S *	5/2015	Tanguy	D16/312
D748,717 S *	2/2016	Yang	D16/312

D769,453 S	10/2016	Ma	
D784,441 S *	4/2017	Garfias	D16/312
D821,037 S *	6/2018	Wallis	D29/110
D834,755 S *	11/2018	Schempp	D29/110
D841,179 S *	2/2019	Ma	D24/215
D847,248 S *	4/2019	Liang	D16/313
D868,878 S *	12/2019	Langenwalter	D16/312
D872,168 S *	1/2020	Zhang	D16/312
D872,169 S *	1/2020	Yong	D16/312
D880,573 S *	4/2020	Liang	D16/312
D880,574 S *	4/2020	Liang	D16/312
D884,913 S *	5/2020	Peng	D24/215

(Continued)

OTHER PUBLICATIONS

Amazon, "Neck Massager", Feb. 28, 2020. https://www.amazon.com/Massager-Intelligent-Portable-Massage-Cordless/dp/B083NHB1XW/ref=cm_cr_ar_p_d_product_top?ie=UTF8. Shown on p. 1. (Year: 2020).*

Primary Examiner — Cynthia Ramirez
Assistant Examiner — Michael A Maharajh

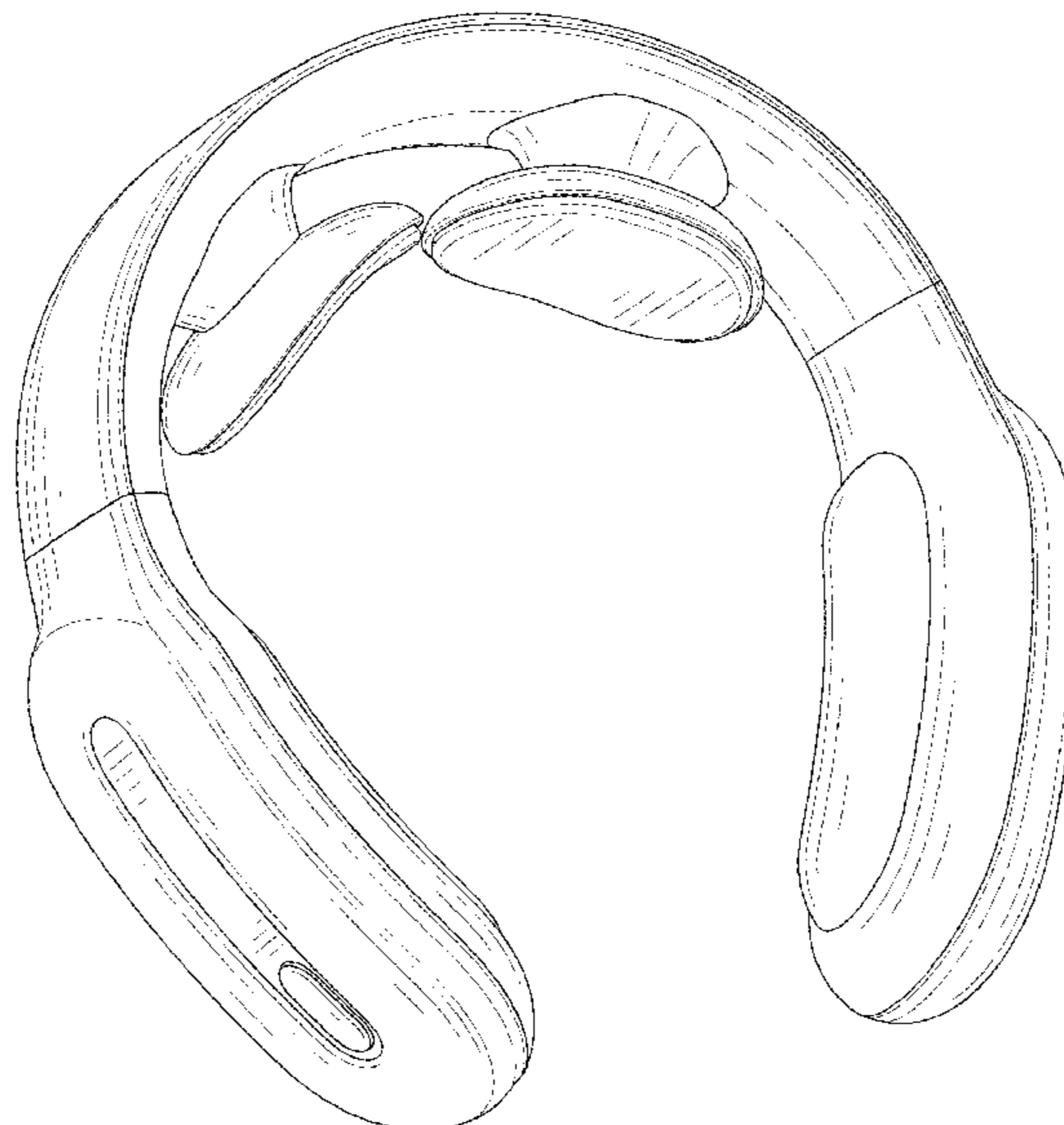
(57) **CLAIM**

The ornamental design for a massager, as shown and described.

DESCRIPTION

FIG. 1 is a perspective view of a massager showing my new design;
FIG. 2 is another perspective view thereof;
FIG. 3 is a front elevational view thereof
FIG. 4 is a rear elevational view thereof;
FIG. 5 is a left side elevational view thereof;
FIG. 6 is a right side elevational view thereof;
FIG. 7 is a top plan view thereof; and,
FIG. 8 is a bottom plan view thereof.
The broken lines in the drawings depict portions of the massager that form no part of the claimed design.

1 Claim, 8 Drawing Sheets



(56)

References Cited

U.S. PATENT DOCUMENTS

2003/0056281 A1* 3/2003 Hasegawa A61F 9/04
2/428
2005/0059909 A1 3/2005 Burgess
2007/0093685 A1* 4/2007 Bighetty A61F 11/14
600/26
2008/0189838 A1* 8/2008 Mage A61F 9/02
2/436
2013/0067626 A1* 3/2013 Sandor A61F 9/026
2/10
2013/0184621 A1 7/2013 Ma et al.
2016/0051439 A1* 2/2016 Brown A61H 21/00
601/46
2017/0014304 A1* 1/2017 Tarumi A61H 39/04
2017/0068119 A1* 3/2017 Antaki G02B 27/0093
2017/0252258 A1* 9/2017 Ma A61H 39/04
2017/0340478 A1* 11/2017 Yang A61H 23/02
2018/0098908 A1* 4/2018 Chien G09B 19/003
2019/0015296 A1* 1/2019 Takehara C01B 3/065
2019/0209419 A1* 7/2019 Tolle A61B 3/005
2019/0282434 A1* 9/2019 Park A61H 5/00
2019/0336377 A1* 11/2019 McCann A61F 9/026
2020/0030150 A1* 1/2020 Oduncu A61F 9/08
2020/0046549 A1* 2/2020 Paulson A61F 7/02
2020/0142218 A1* 5/2020 McNeal A61F 9/02

* cited by examiner

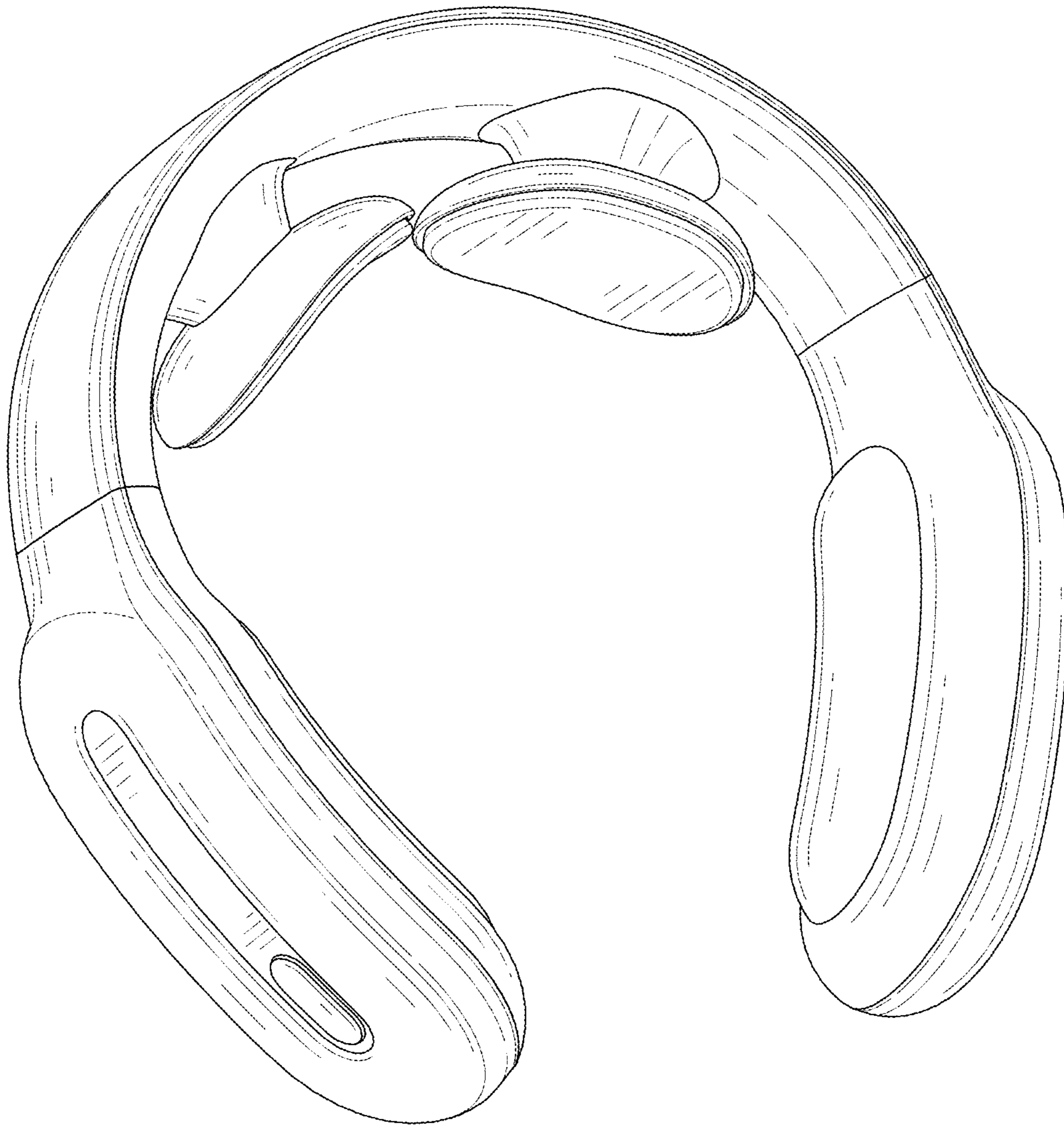


FIG. 1

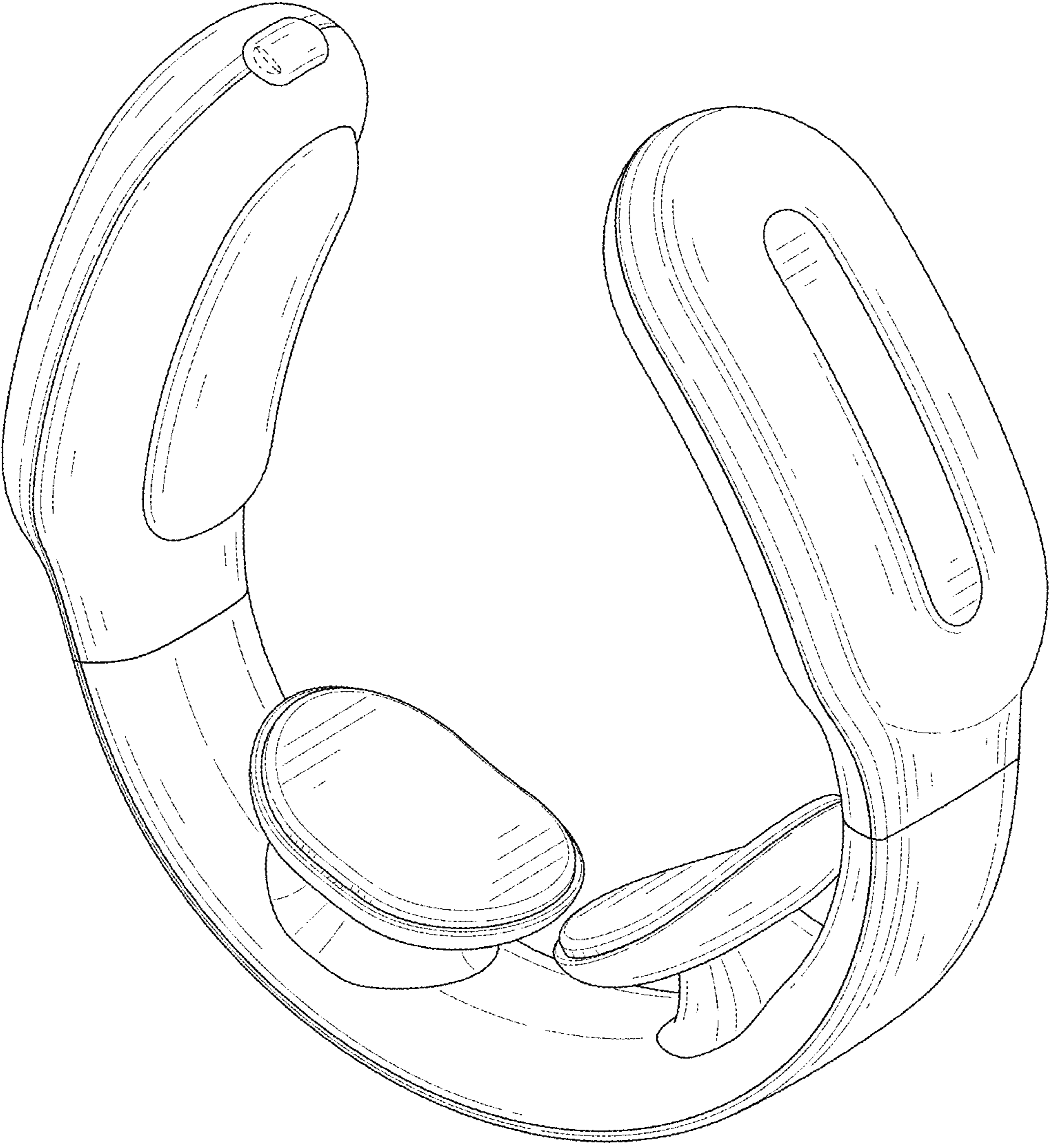


FIG. 2



FIG. 3



FIG. 4

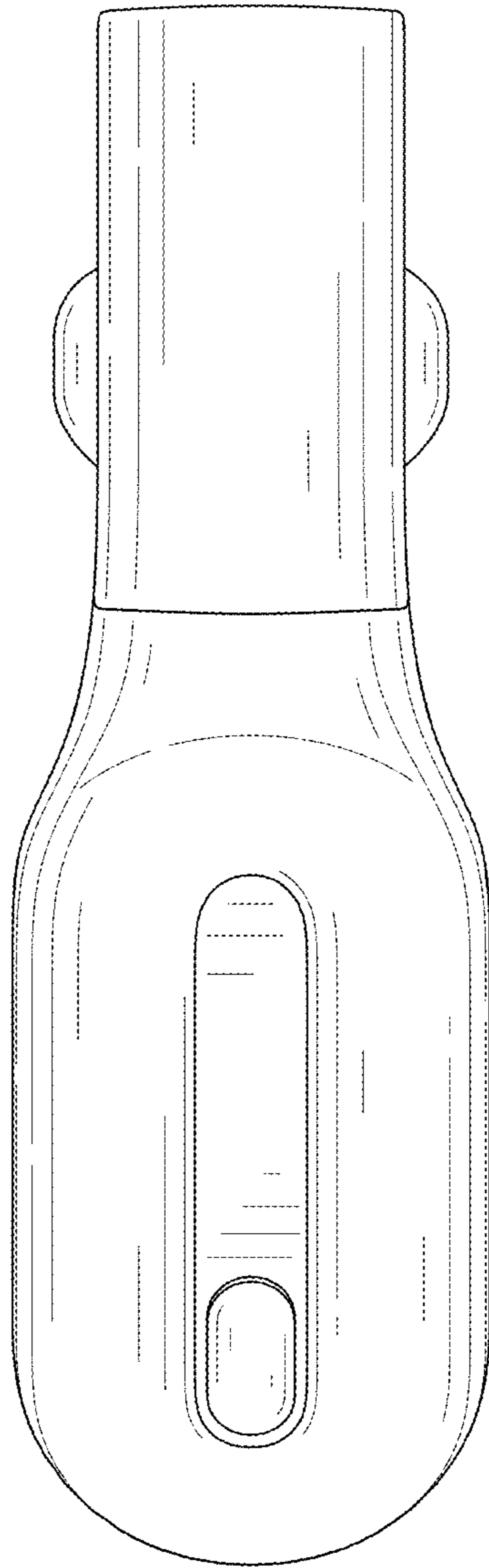


FIG. 5

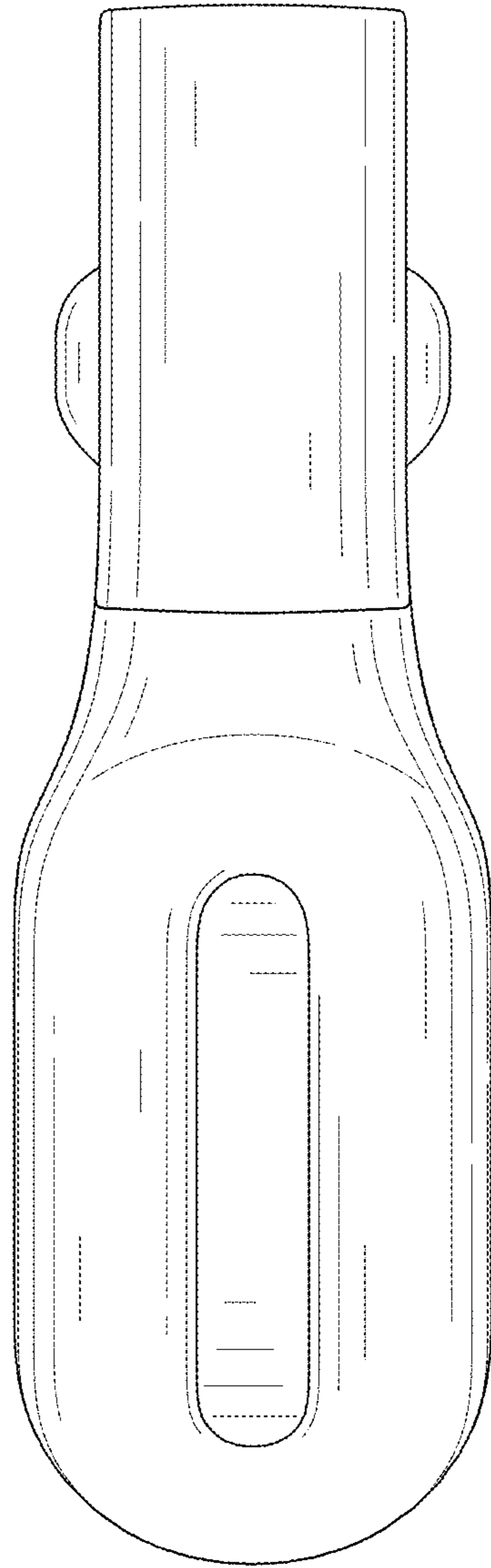


FIG. 6

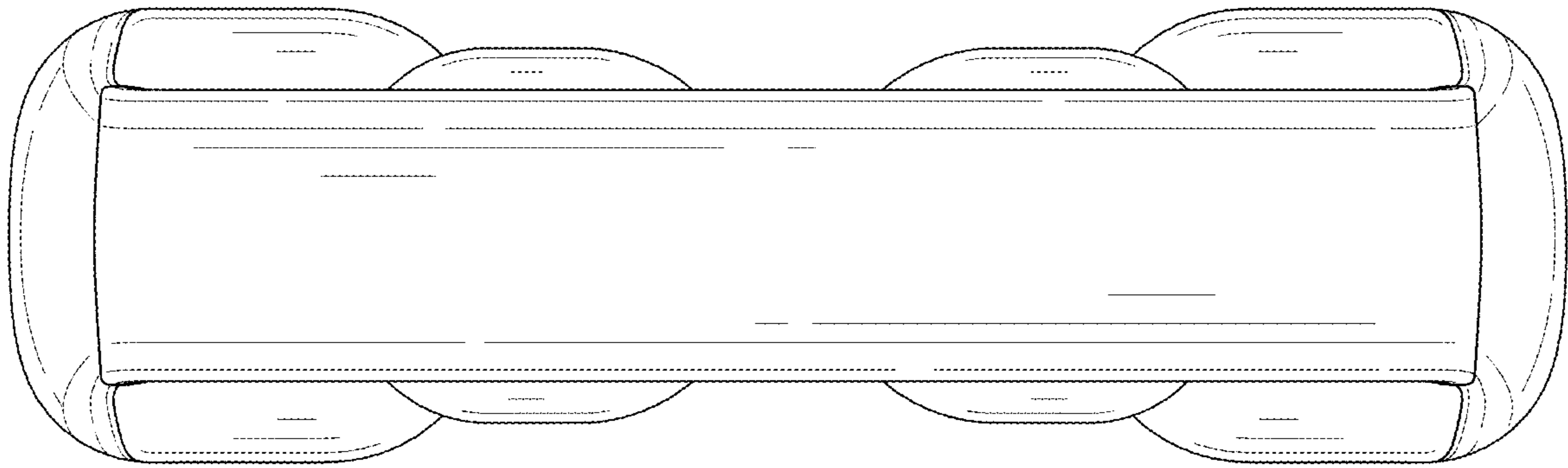


FIG. 7

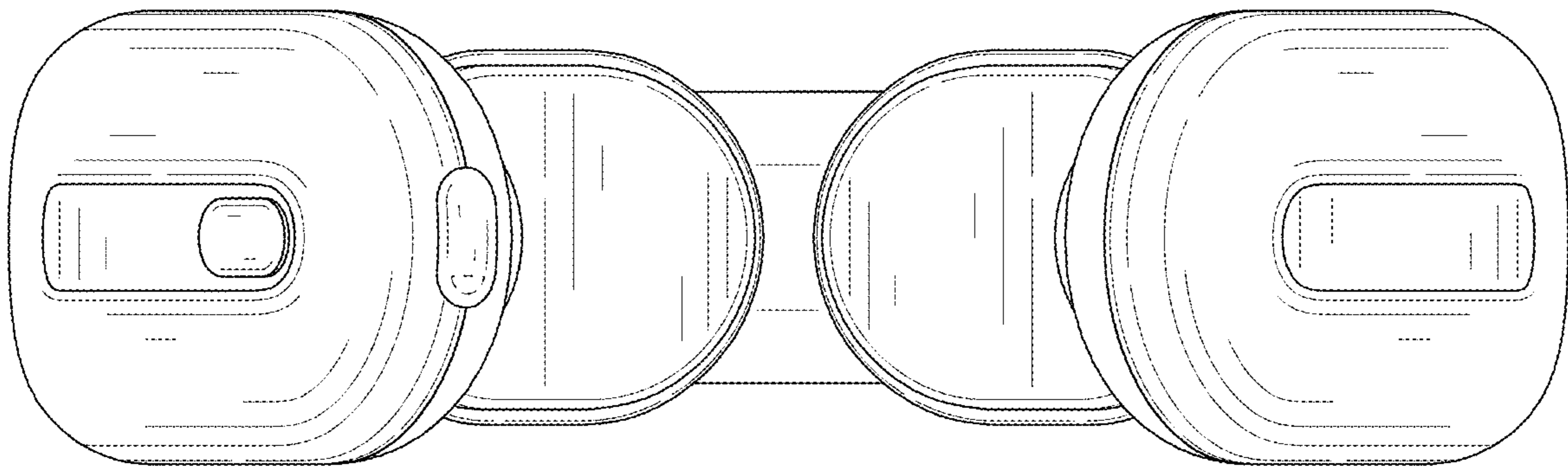


FIG. 8