



US00D901030S

(12) **United States Design Patent** (10) **Patent No.:** **US D901,030 S**  
**Yoon** (45) **Date of Patent:** **\*\* Nov. 3, 2020**

(54) **SKIN TREATMENT APPARATUS**

(56) **References Cited**

(71) Applicant: **LG ELECTRONICS INC.**, Seoul (KR)

U.S. PATENT DOCUMENTS

(72) Inventor: **Sanghoon Yoon**, Seoul (KR)

D695,903 S *	12/2013	Tamsiran .....	D24/209
D708,440 S *	7/2014	Owen .....	D4/102
D734,479 S *	7/2015	Youngquist .....	D24/158
D759,831 S *	6/2016	Levi .....	D24/200
D794,784 S *	8/2017	Bradley .....	D24/133
D802,841 S *	11/2017	Kling .....	D28/44.1
D847,360 S *	4/2019	Levi .....	D24/214
D855,194 S *	7/2019	Kymm .....	D24/209

(73) Assignee: **LG ELECTRONICS INC.**, Seoul (KR)

(\*\*) Term: **15 Years**

(Continued)

(21) Appl. No.: **35/506,935**

(22) Filed: **Dec. 10, 2018**

OTHER PUBLICATIONS

(80) **Hague Agreement Data**

[https://www.youtube.com/watch?v=pU\\_S2iu8uX0](https://www.youtube.com/watch?v=pU_S2iu8uX0) Feb. 24, 2019 (Year: 2019).\*

Int. Filing Date: **Dec. 10, 2018**

*Primary Examiner* — Samantha Q Lawrence

Int. Reg. No.: **DM/201454**

(74) *Attorney, Agent, or Firm* — Birch, Stewart, Kolasch & Birch, LLP

Int. Reg. Date: **Dec. 10, 2018**

Int. Reg. Pub. Date: **Jun. 21, 2019**

(30) **Foreign Application Priority Data**

(57) **CLAIM**

Jun. 11, 2018 (KR) ..... 30-2018-0026840

The ornamental design for a skin treatment apparatus, as shown and described.

(51) **LOC (12) Cl.** ..... **28-03**

**DESCRIPTION**

(52) **U.S. Cl.**

USPC ..... **D24/209**

(58) **Field of Classification Search**

USPC ..... D24/112, 113, 119, 133, 137, 187, 200, D24/206, 209, 211, 212, 214, 215, 114, D24/115, 116, 117, 118, 134, 135, 136, D24/146, 147, 155, 156, 189; D26/1, 42, D26/45, 48, 49, 50, 51, 113; D4/100, D4/102, 127, 137, 138; D16/237, 239; D10/46, 49, 50, 52, 57; D28/58, 59, 62; 606/48, 131, 132, 133, 134, 289

CPC .... A61N 2005/0659; A61H 2201/0153; A61H 7/003; A61H 2015/0014; A61B 17/1325; A61B 2017/00734; A61B 2017/320012; A61B 2017/00747; A45D 2200/1054; A46B 2200/102

1. Skin treatment apparatus

FIG. 1.1 is a perspective view of a skin treatment apparatus;

FIG. 1.2 is a front view thereof;

FIG. 1.3 is a back view thereof;

FIG. 1.4 is a side view thereof;

FIG. 1.5 is a side view thereof;

FIG. 1.6 is a top view thereof;

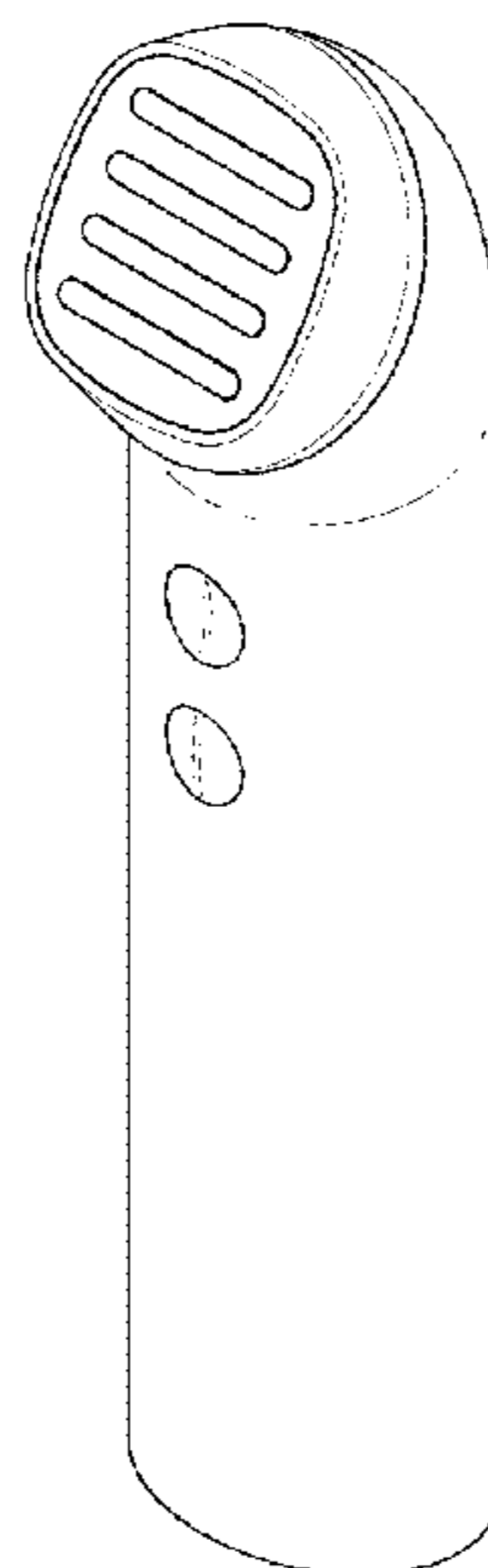
FIG. 1.7 is a bottom view thereof; and

FIG. 1.8 is another perspective view thereof.

The broken line shown in FIG. 1.7 illustrates portions of the skin treatment apparatus that form no part of the claimed design. The broken lines shown in FIG. 1.8 illustrate environment of the skin treatment apparatus and form no part of the claimed design.

See application file for complete search history.

**1 Claim, 7 Drawing Sheets**



(56)

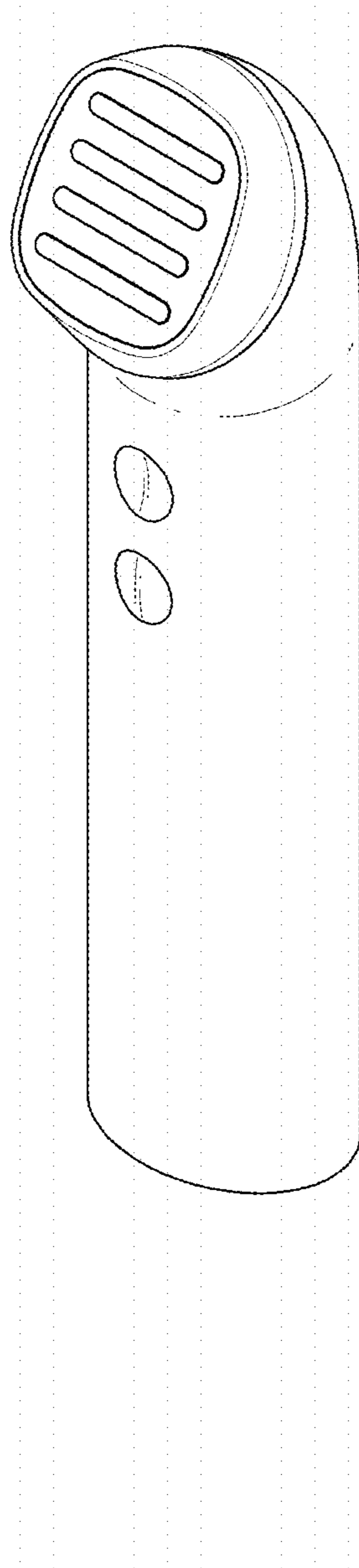
**References Cited**

U.S. PATENT DOCUMENTS

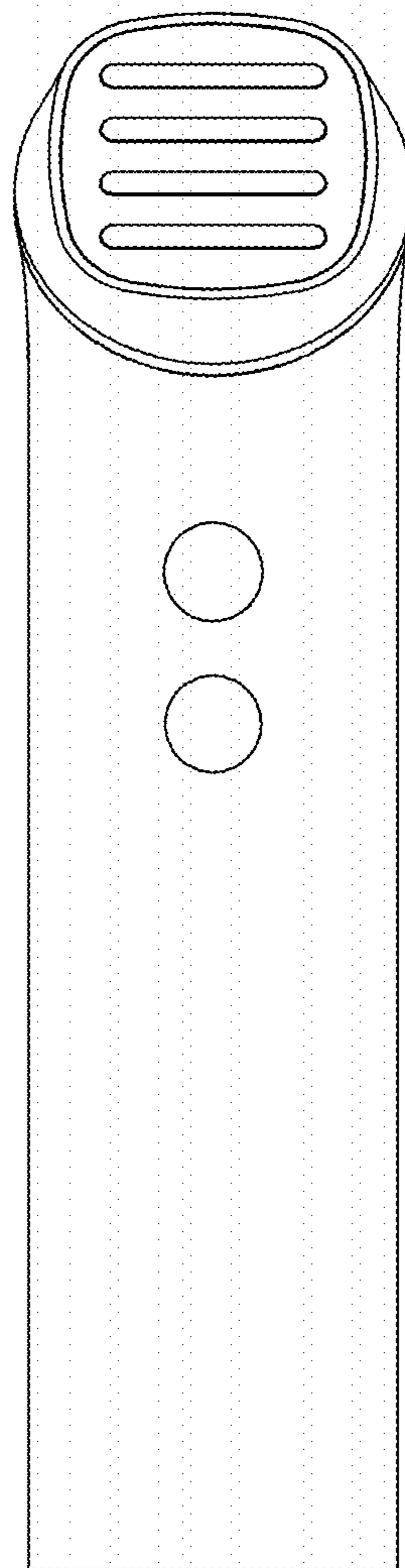
D855,195 S \* 7/2019 Kymm ..... D24/209  
D855,818 S \* 8/2019 Kymm ..... D24/209  
2013/0331913 A1\* 12/2013 Levi ..... A61B 18/14  
607/88

\* cited by examiner

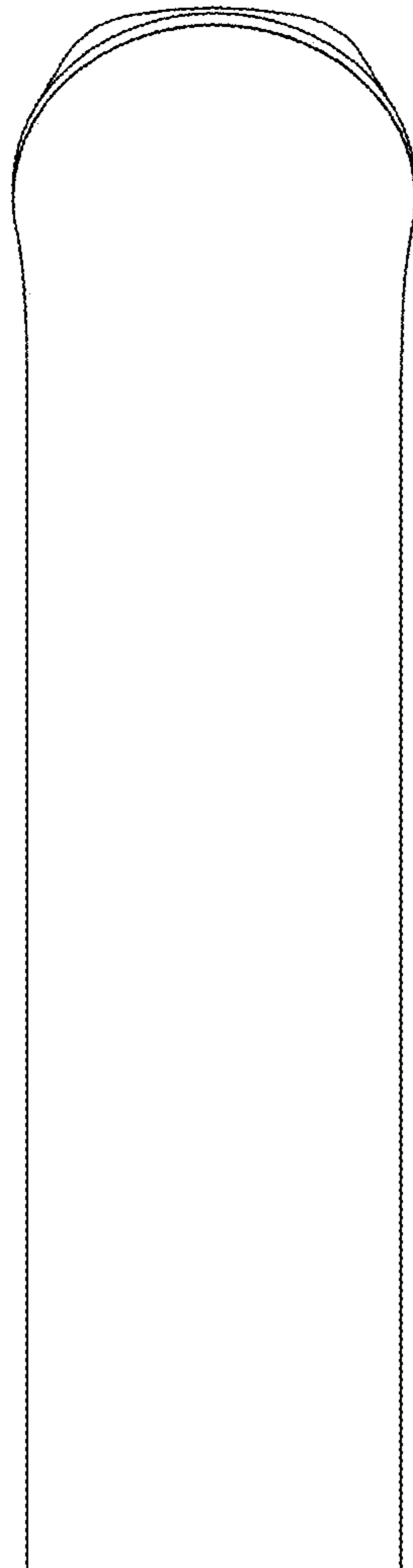
1.1



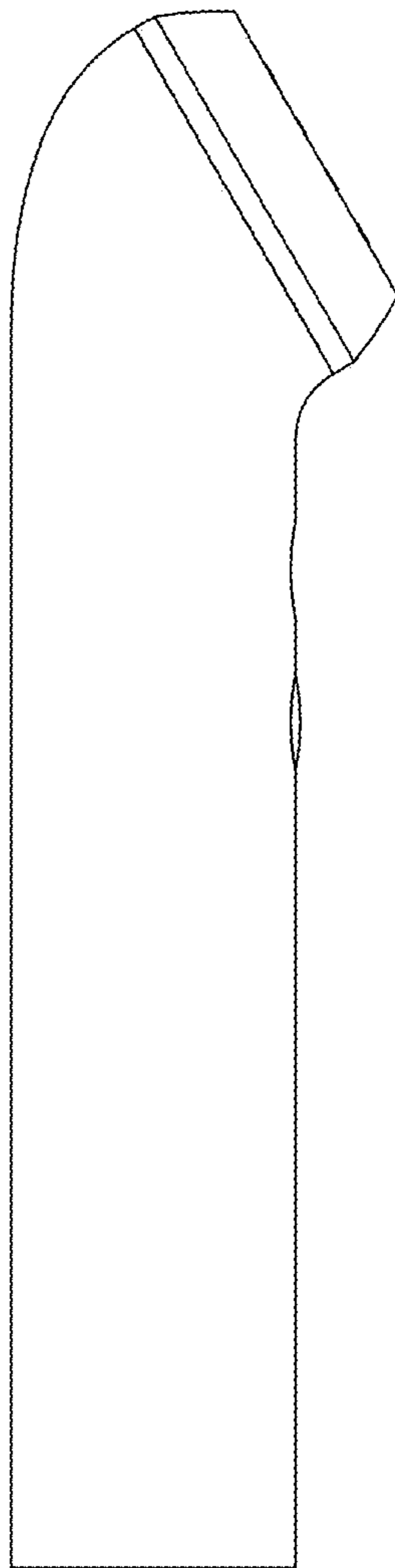
1.2



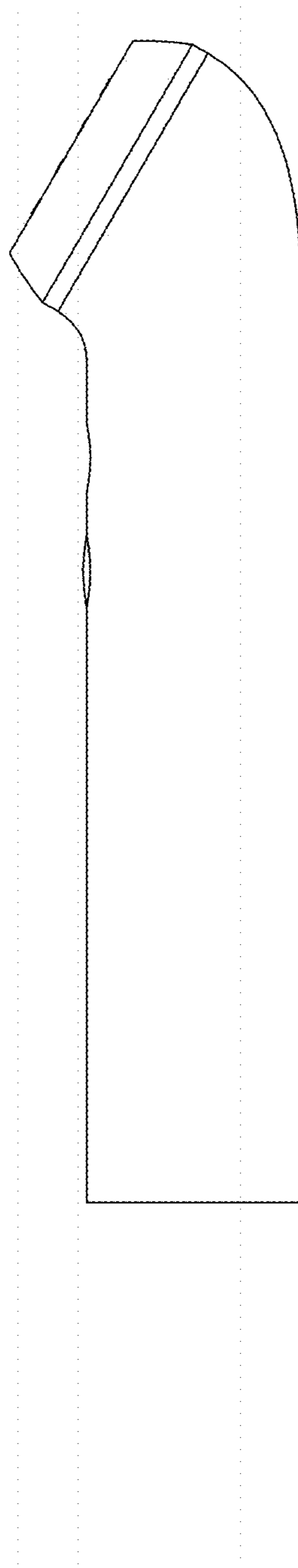
1.3



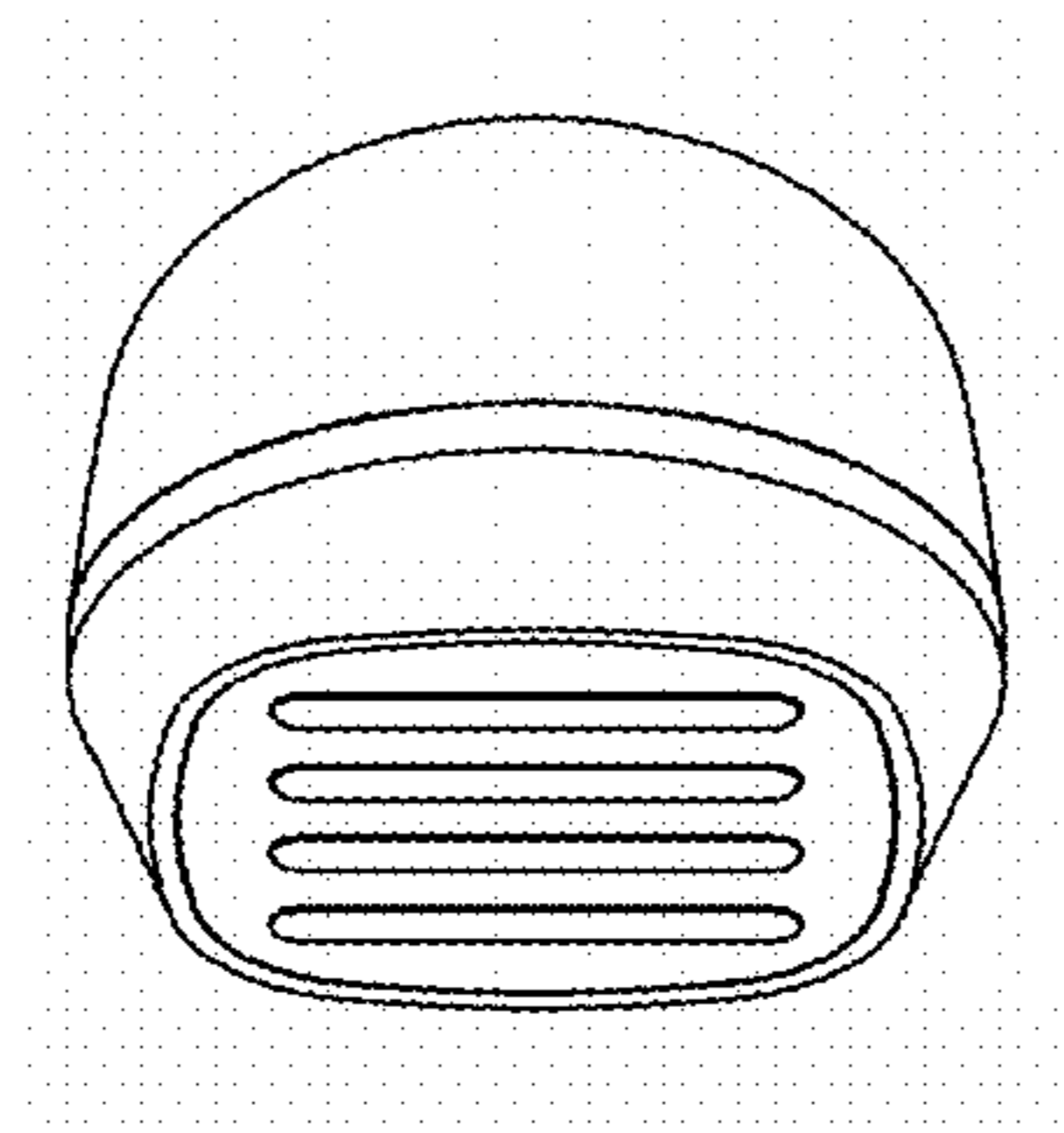
1.4



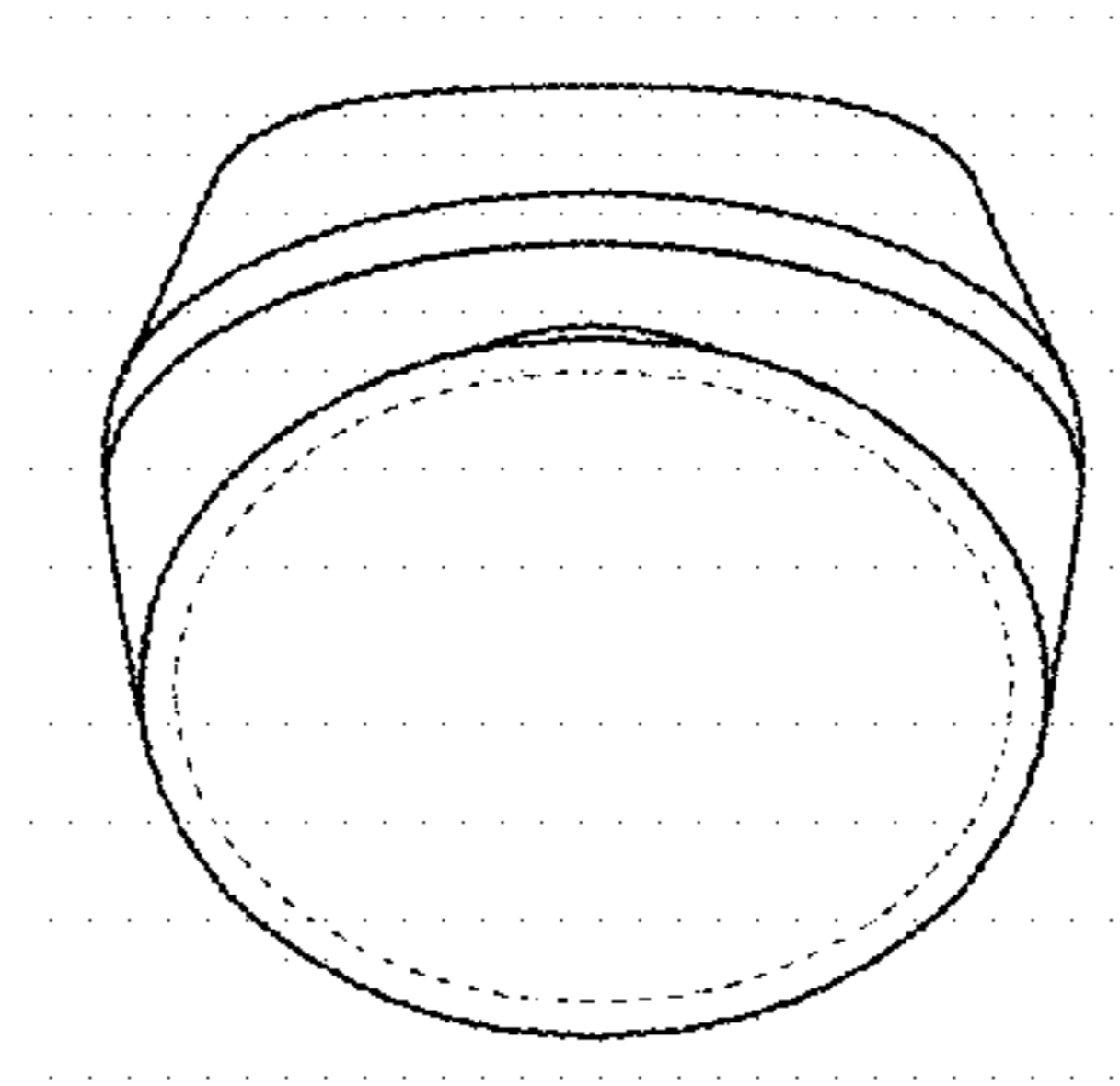
1.5



1.6



1.7





1.8

