



US00D901028S

(12) **United States Design Patent** (10) **Patent No.:** **US D901,028 S**
Shah et al. (45) **Date of Patent:** **** *Nov. 3, 2020**

(54) **LASER THERAPY DEVICE**

(56) **References Cited**

(71) Applicants: **Kevin R. Shah**, Gujarat (IN);
Dharmesh O. Savani, Gujarat (IN)

U.S. PATENT DOCUMENTS

(72) Inventors: **Kevin R. Shah**, Gujarat (IN);
Dharmesh O. Savani, Gujarat (IN)

D609,361	S	*	2/2010	McGarry	D24/209
D612,510	S	*	3/2010	Byle	D24/210
D656,620	S	*	3/2012	Altshuler	D24/209
D687,156	S	*	7/2013	Yamamoto	D24/209
D695,903	S	*	12/2013	Tamsiran	D24/209
D738,516	S	*	9/2015	Karim	D24/200
D776,874	S	*	1/2017	Kling	D24/209
2008/0140164	A1	*	6/2008	Oberreiter	A61N 5/0616 607/88
2011/0270365	A1	*	11/2011	Hamada	A61B 18/203 607/90
2013/0340260	A1	*	12/2013	Sueyoshi	A45D 26/0057 30/123
2016/0374758	A1	*	12/2016	Jones	A61N 5/0616 606/9

(73) Assignee: **ADVINO TECHNOLOGIES LLP**,
Gujarat (IN)

(*) Notice: This patent is subject to a terminal disclaimer.

(**) Term: **15 Years**

(21) Appl. No.: **29/586,884**

* cited by examiner

(22) Filed: **Dec. 7, 2016**

Primary Examiner — Anhdao Doan

(30) **Foreign Application Priority Data**

(74) *Attorney, Agent, or Firm* — D'Ambrosio & Menon, PLLC; Usha Menon

Jun. 11, 2016 (IN) 284286

(51) **LOC (12) Cl.** **28-03**

(57) **CLAIM**

The ornamental design for a laser therapy device, as shown and described.

(52) **U.S. Cl.**

DESCRIPTION

USPC **D24/209**

(58) **Field of Classification Search**

USPC D24/107, 186, 158, 231, 200, 209, 210,
D24/214, 215, 187; D26/37-39; D28/9;
D29/102, 103

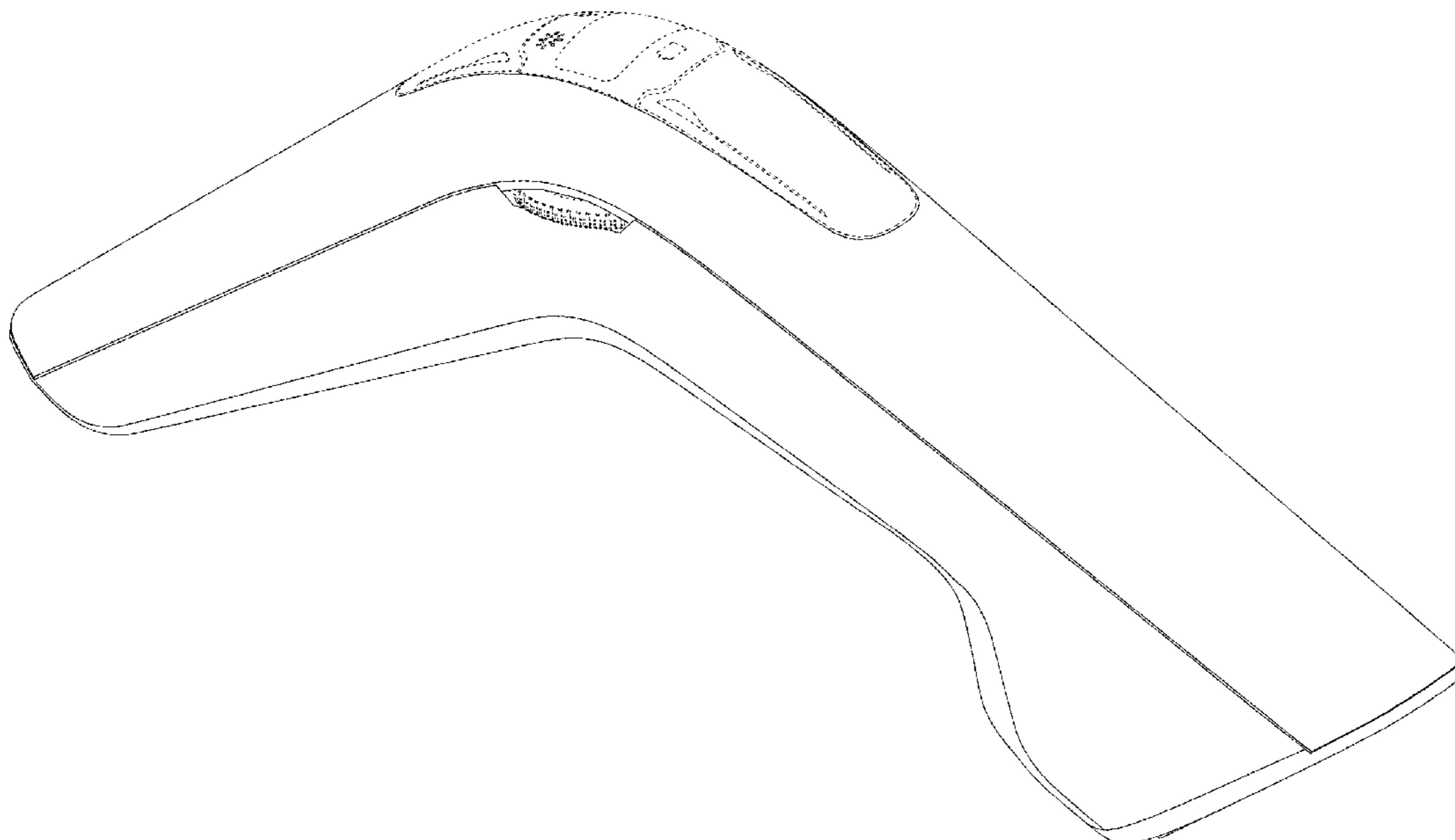
CPC A61N 5/0616; A61N 5/0617; A61N 5/062;
A61N 5/0627; A61N 5/0625; A61N
2005/0643; A61N 2005/0644; A61N
2005/0645; A61N 2005/0647; A61N
2005/0651; A61N 2005/0652; A61B
2018/00452; A61B 2018/1807

See application file for complete search history.

FIG. 1 is a perspective view of a laser therapy device showing our new design;
FIG. 2 is another perspective view thereof;
FIG. 3 is a front view thereof;
FIG. 4 is a top view thereof;
FIG. 5 is a bottom view thereof;
FIG. 6 is a left side view thereof; and,
FIG. 7 is a right side view thereof.

The broken lines illustrate portions of the laser therapy device that form no part of the claimed design.

1 Claim, 7 Drawing Sheets



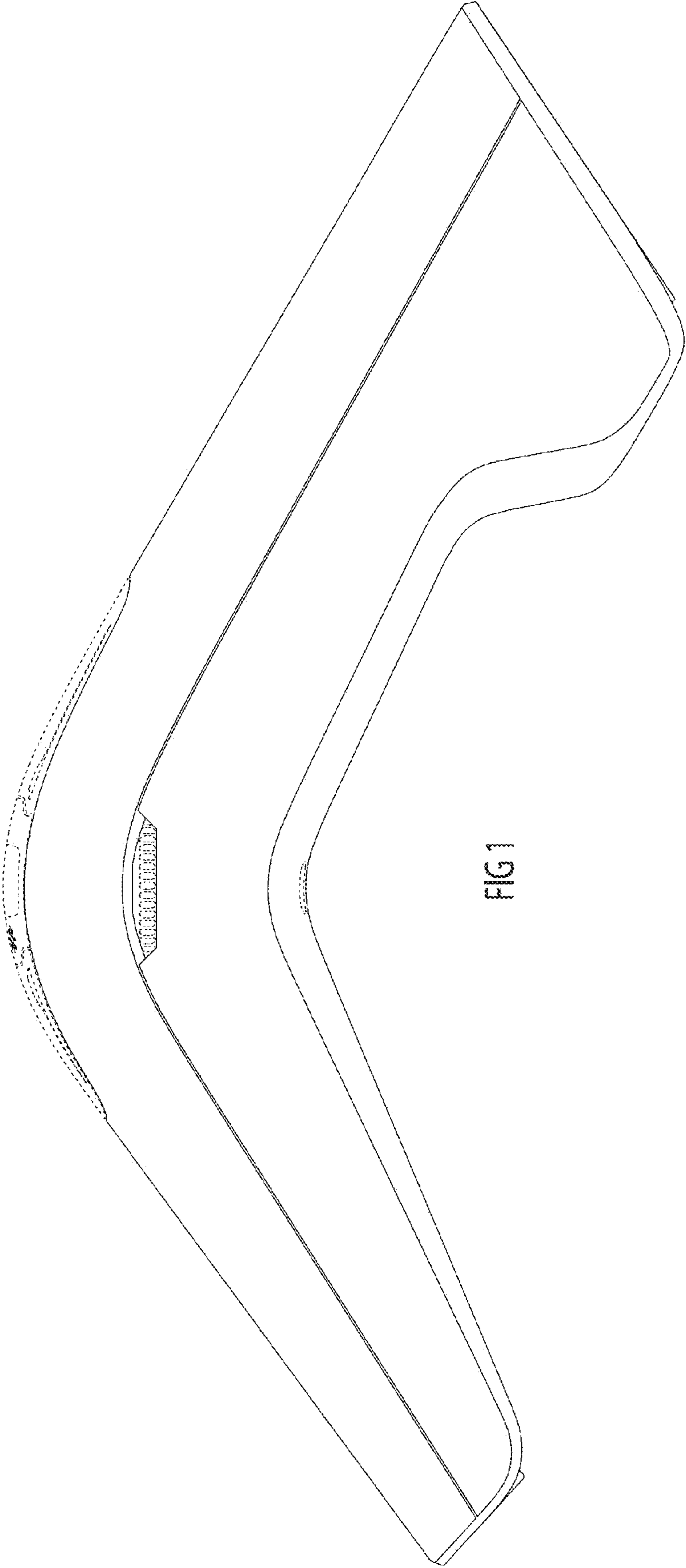


FIG 1

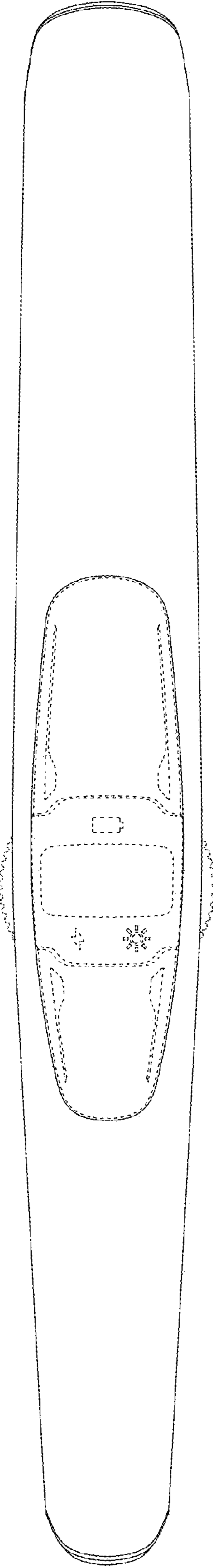


FIG 2

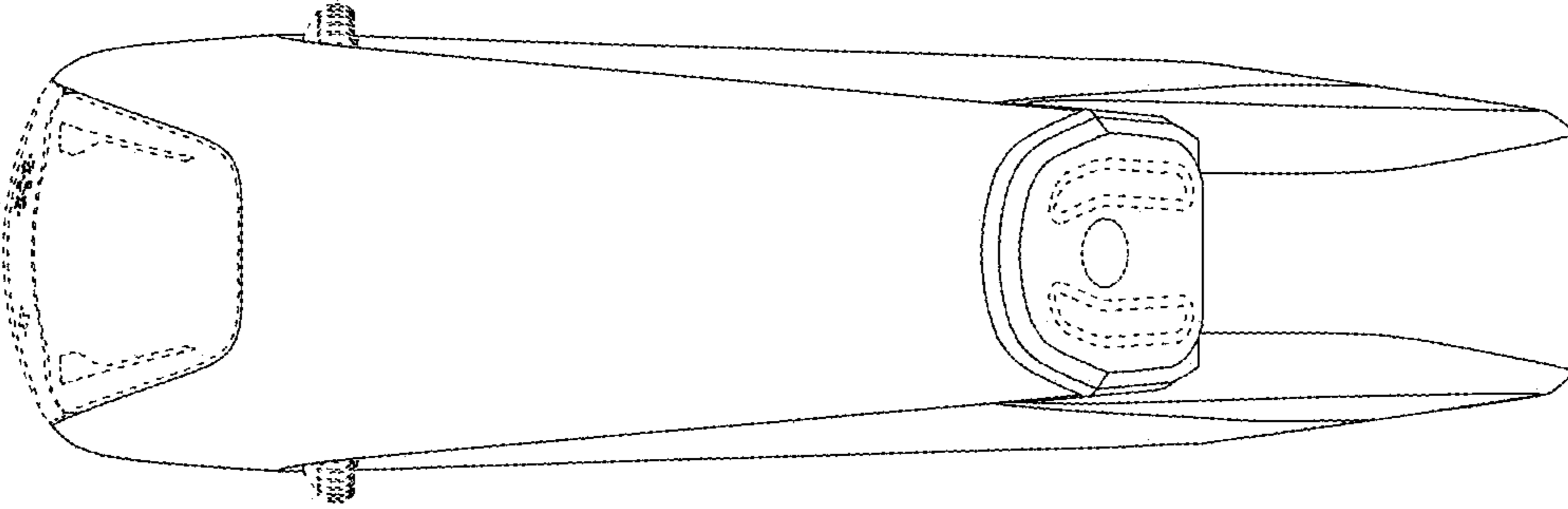


FIG 3

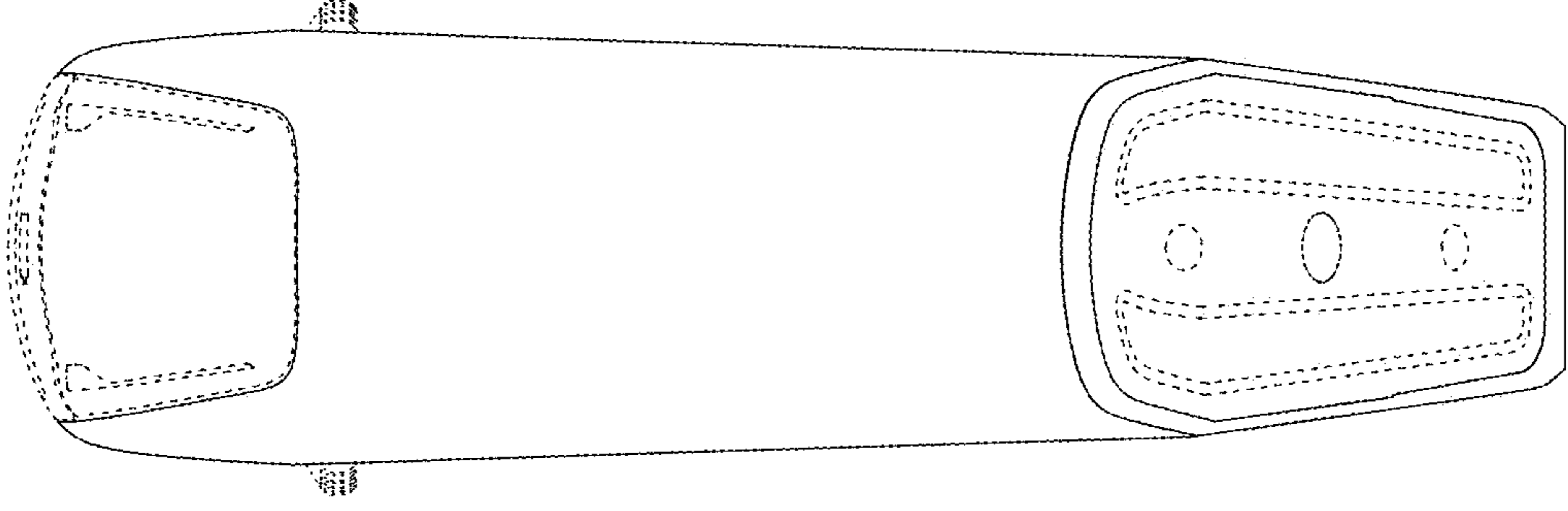


FIG 4

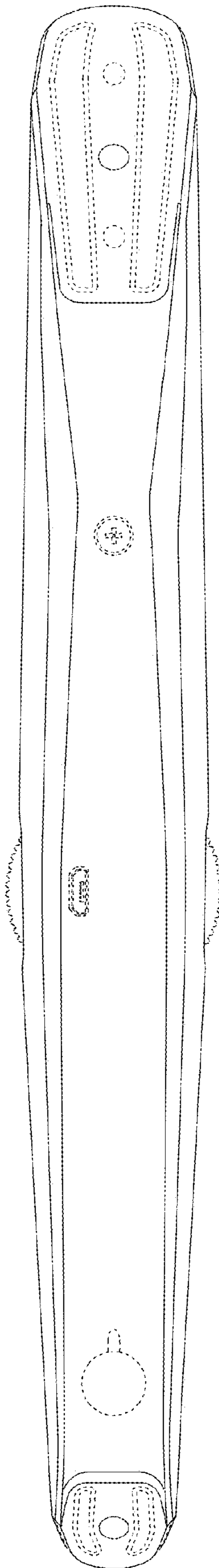


FIG 5

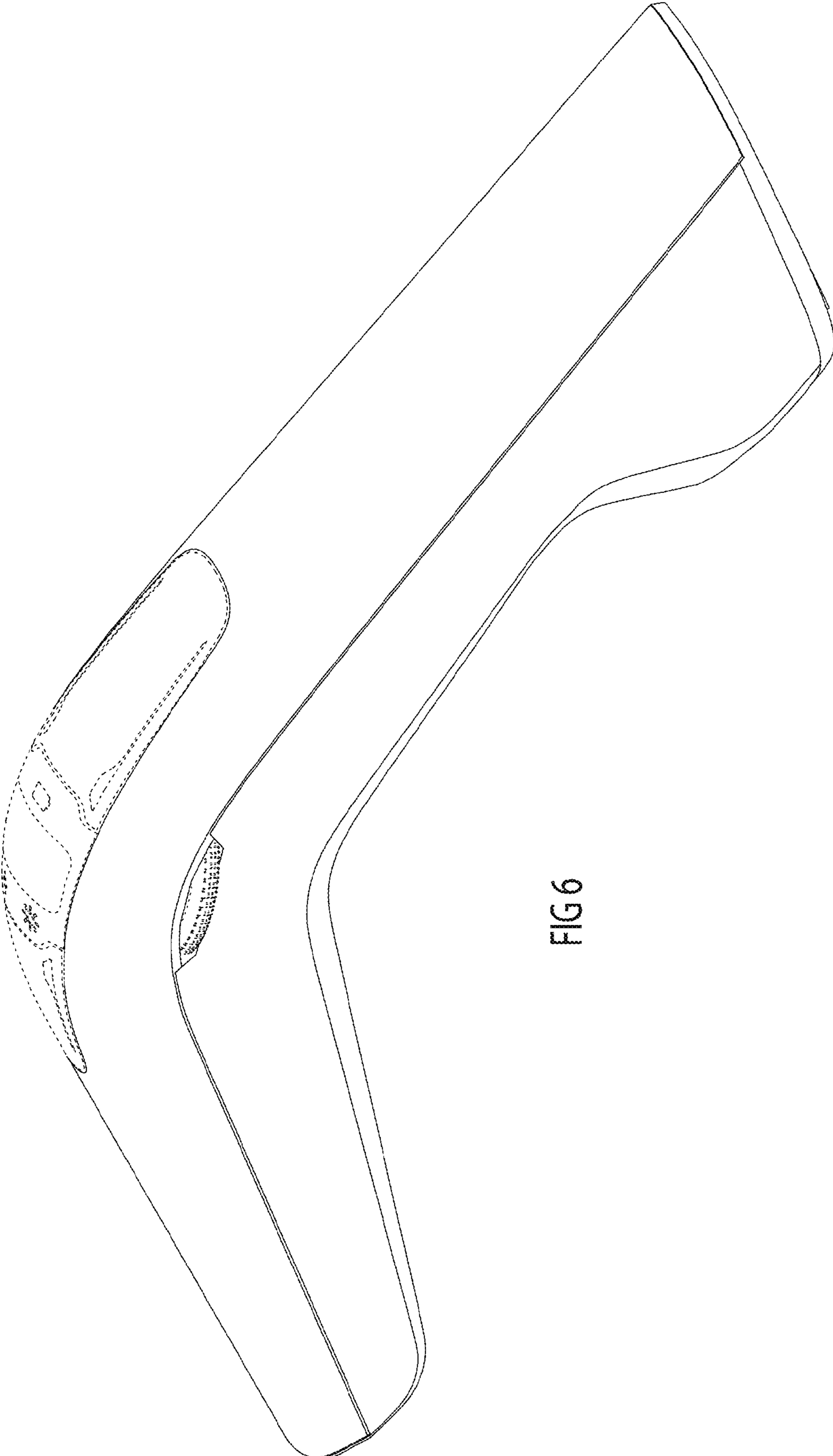


FIG 6

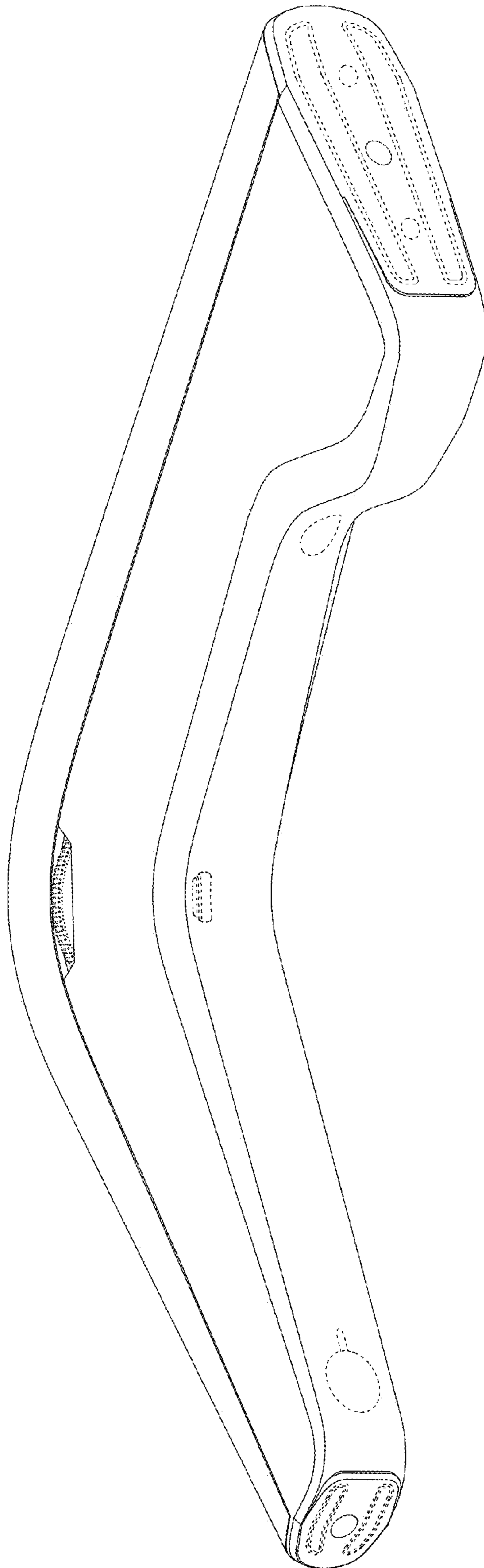


FIG 7