

US00D901020S

(12) **United States Design Patent** (10) **Patent No.:** **US D901,020 S**  
**Emery et al.** (45) **Date of Patent:** **\*\* Nov. 3, 2020**

(54) **ULTRASOUND THERAPEUTIC TREATMENT HANDPIECE**

(71) Applicant: **Ulthera, Inc.**, Mesa, AZ (US)  
 (72) Inventors: **Charles D. Emery**, Gilbert, AZ (US);  
**Brian Lee Prout**, Gilbert, AZ (US);  
**Dwayne E. Quatier**, Chandler, AZ (US);  
**Alexander Michael Diener**, Seattle, WA (US);  
**Spencer Michael Denton**, Seattle, WA (US);  
**Kristin Marie Will**, Seattle, WA (US);  
**Luke David Springer**, Seattle, WA (US);  
**Trent R. Wetherbee**, Spokane Valley, WA (US);  
**Jered L. Singleton**, Bainbridge Island, WA (US);  
**Peter J. Heinrich**, Auburn, WA (US);  
**Cameron Andrew Harder**, San Francisco, CA (US);  
**John R. Murkowski**, Seattle, WA (US)

(73) Assignee: **Ulthera, Inc.**, Mesa, AZ (US)

(\*\*) Term: **15 Years**

(21) Appl. No.: **29/726,150**

(22) Filed: **Feb. 28, 2020**

**Related U.S. Application Data**

(62) Division of application No. 29/636,013, filed on Feb. 5, 2018, now Pat. No. Des. 880,703.

(51) **LOC (12) Cl.** ..... **24-02**

(52) **U.S. Cl.**  
 USPC ..... **D24/187**

(58) **Field of Classification Search**  
 USPC ..... D24/110, 137, 144, 147, 133, 186, 187,  
 D24/227, 231; D28/7; D10/60, 78, 80

(Continued)

(56) **References Cited**

U.S. PATENT DOCUMENTS

D435,107 S \* 12/2000 Blair ..... D24/186  
 D498,535 S 11/2004 Genau

(Continued)

OTHER PUBLICATIONS

What is cosmetic ultratherapy? Online, published date Jan. 18, 2020. Retrieved on Jul. 8, 2020 from URL: <https://www.quora.com/What-is-cosmetic-ultherapy>.\*

*Primary Examiner* — Janice Hallmark  
*Assistant Examiner* — Omeed Agilee  
 (74) *Attorney, Agent, or Firm* — Knobbe Martens Olson & Bear LLP

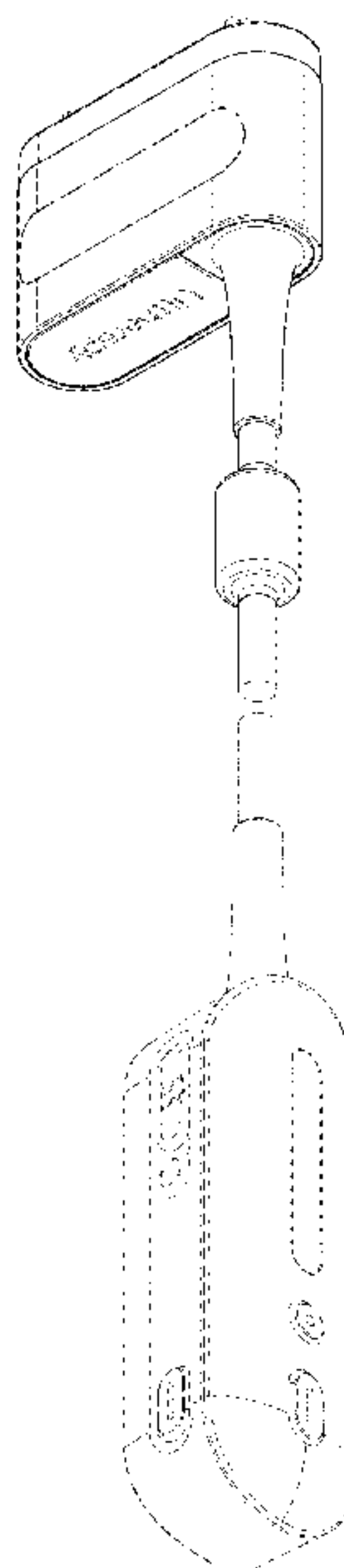
(57) **CLAIM**

The ornamental design for an ultrasound therapeutic treatment handpiece, as shown and described.

**DESCRIPTION**

FIG. 1 is a top right perspective view of an ultrasound therapeutic treatment handpiece showing the new design. FIG. 2 is a bottom left perspective view thereof. FIG. 3 is a top view thereof. FIG. 4 is a bottom view. FIG. 5 is a left view. FIG. 6 is a right view. FIG. 7 is an enlarged front view; and, FIG. 8 is an enlarged rear view. The broken lines in the middle of the cord in FIGS. 1-6 that separate the upper portion of the article from the lower portion illustrate the break lines. The break lines and any portion of the article beyond what is shown form no part of the claimed design. The rest of the broken lines in the drawings depict portions of the ultrasound therapeutic treatment handpiece that form no part of the claimed design.

**1 Claim, 8 Drawing Sheets**



(58) **Field of Classification Search**

CPC ... A61B 8/4236; A61B 8/4281; A61B 6/4441;  
A61B 6/114447; A61N 7/02

See application file for complete search history.

(56) **References Cited**

U.S. PATENT DOCUMENTS

D564,660	S	3/2008	Hayashi	
D566,284	S	4/2008	Kitayama et al.	
D603,520	S	11/2009	Ninomiya et al.	
D609,814	S *	2/2010	Banryu .....	D24/187
D630,756	S *	1/2011	Kitayama .....	D24/187
D637,287	S	5/2011	Mudd	
D656,610	S	3/2012	Kleiner	
D700,343	S	2/2014	Liu	
D700,969	S	3/2014	Kim	
D729,166	S *	5/2015	Baba .....	D13/133
D811,605	S	2/2018	Chang	
D829,329	S	9/2018	Quam et al.	
D835,283	S	12/2018	Barker et al.	
D835,285	S	12/2018	Barker et al.	
D835,292	S	12/2018	Luzon et al.	
D847,353	S *	4/2019	Hasegawa .....	D24/187
D861,178	S *	9/2019	Emery .....	D24/187
D865,163	S *	10/2019	Lambrecht .....	D24/129
10,426,429	B2 *	10/2019	Kruse .....	A61B 8/4227
D878,603	S *	3/2020	Zhang .....	D24/187
D880,703	S *	4/2020	Emery .....	D24/187
D884,193	S *	5/2020	Robinson .....	D24/187
D884,703	S *	5/2020	Silver .....	D14/426
D887,561	S *	6/2020	Cheng .....	D24/187

\* cited by examiner

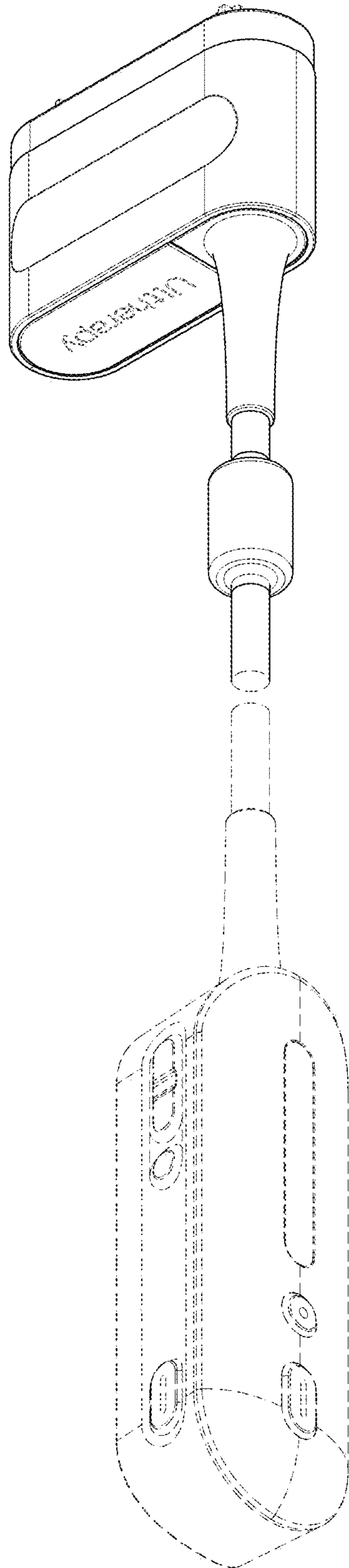


FIG. 1

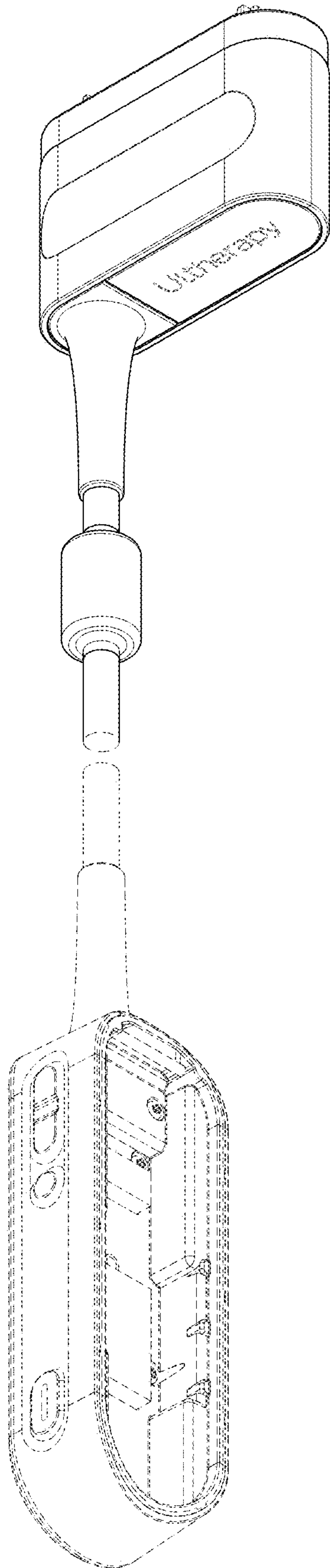


FIG. 2

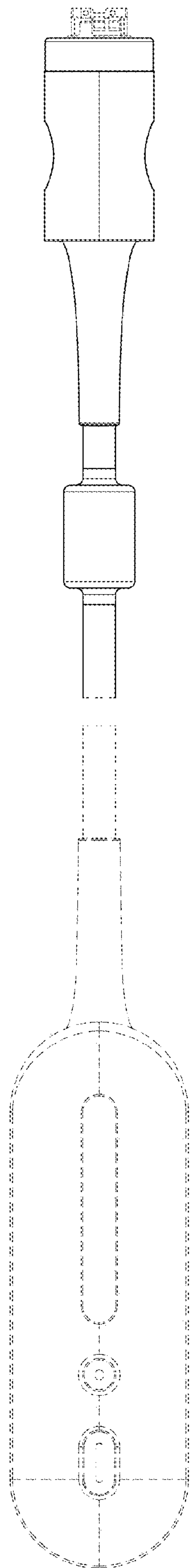


FIG. 3

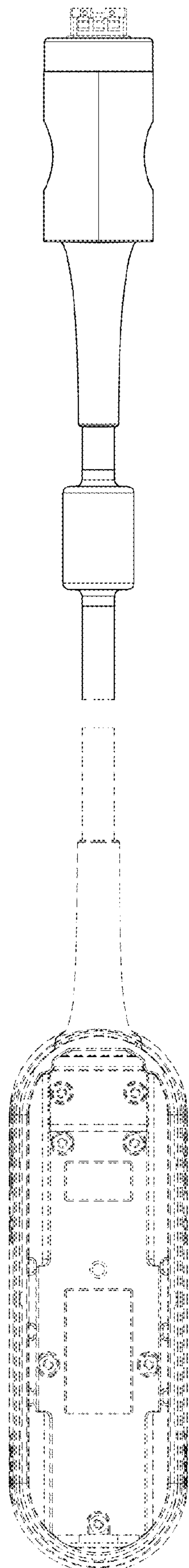


FIG. 4



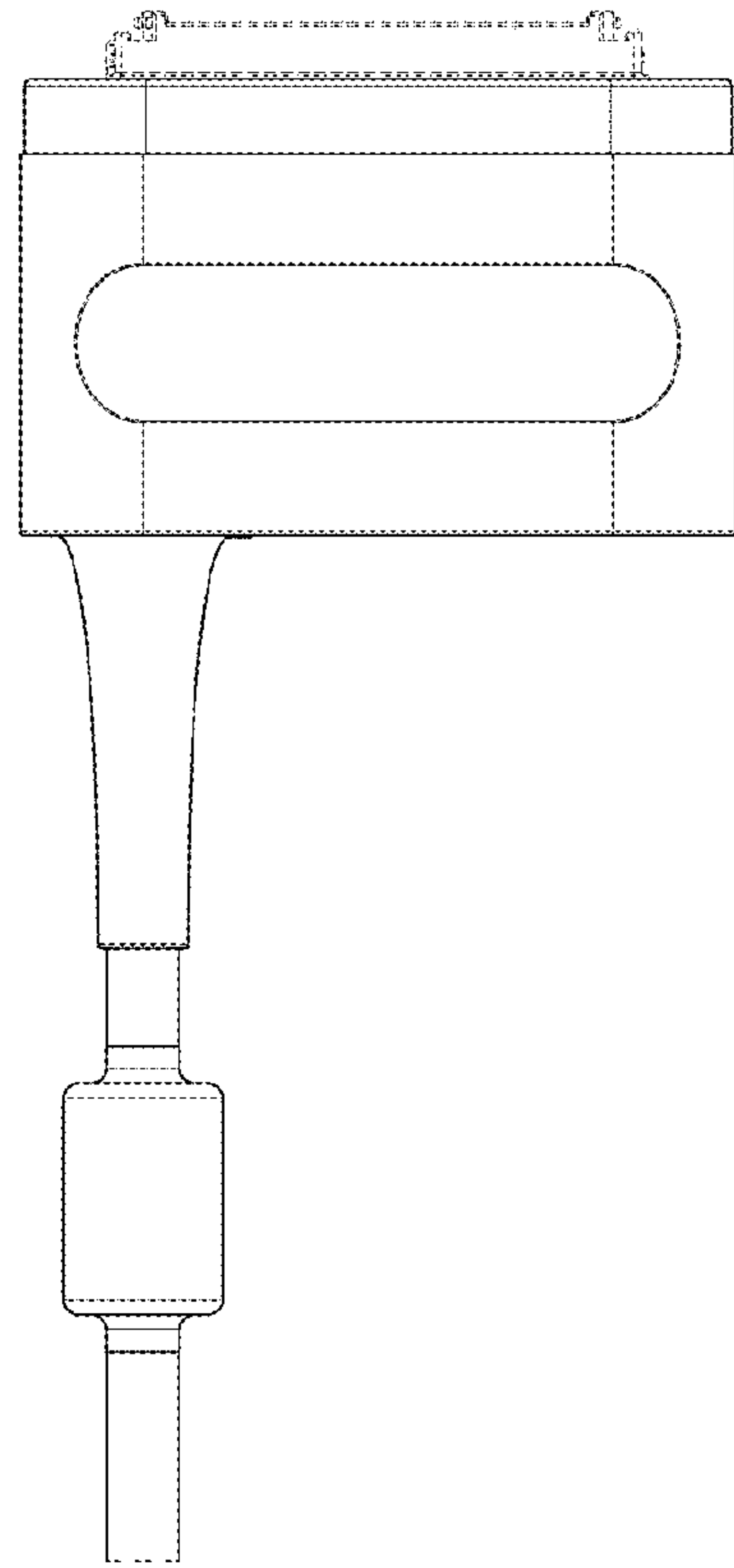
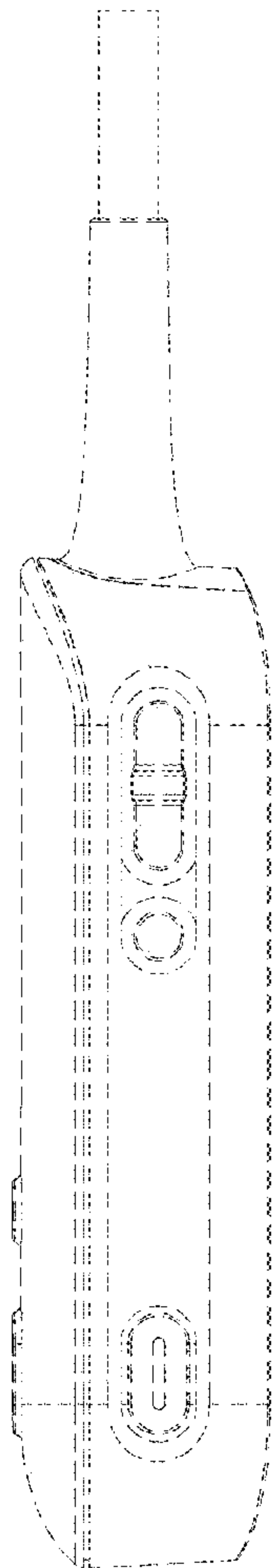


FIG. 5



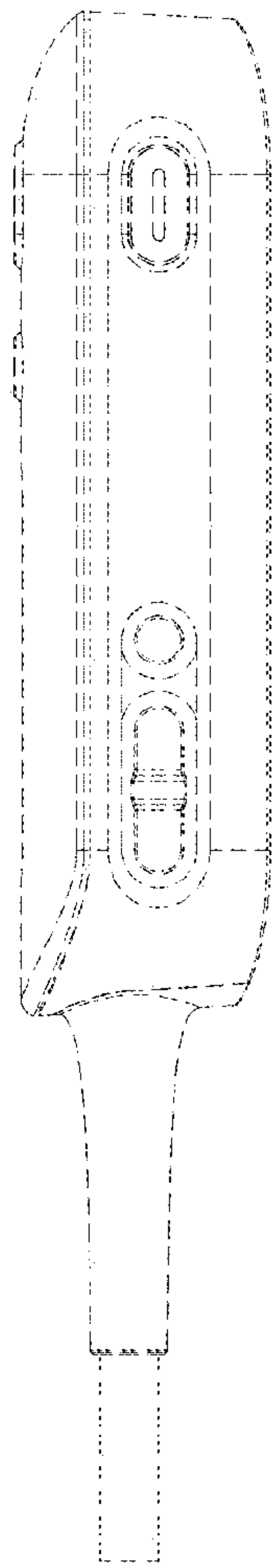
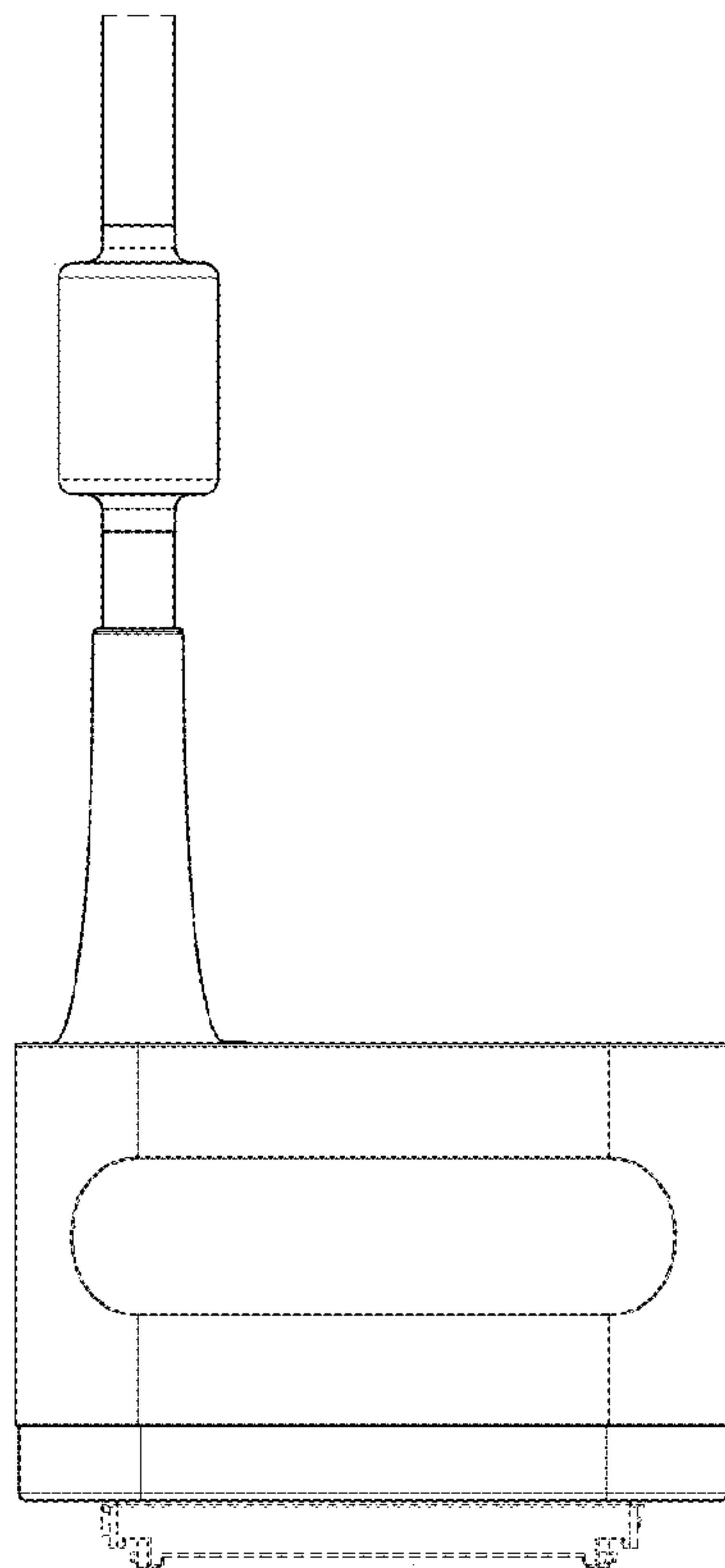


FIG. 6





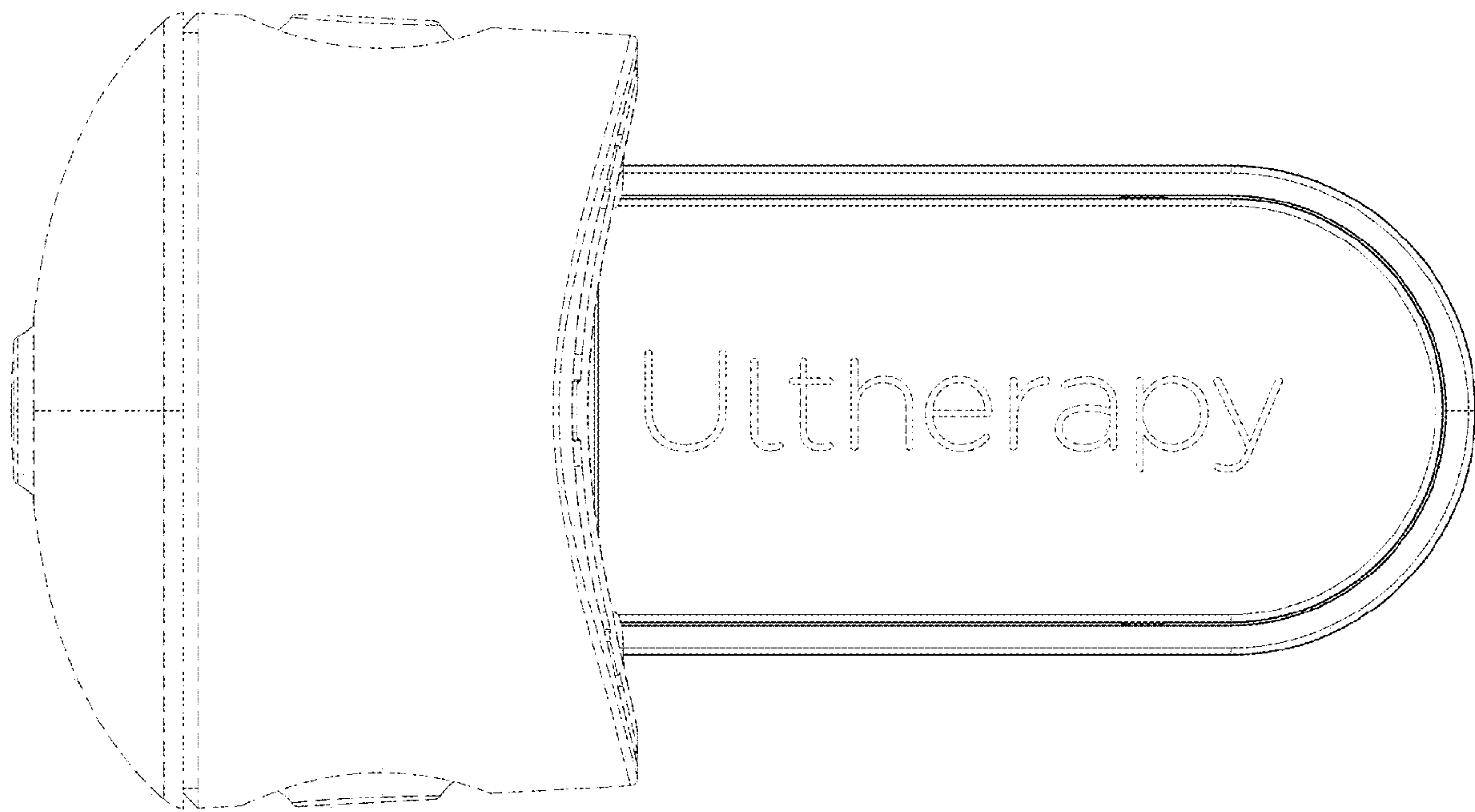


FIG. 7

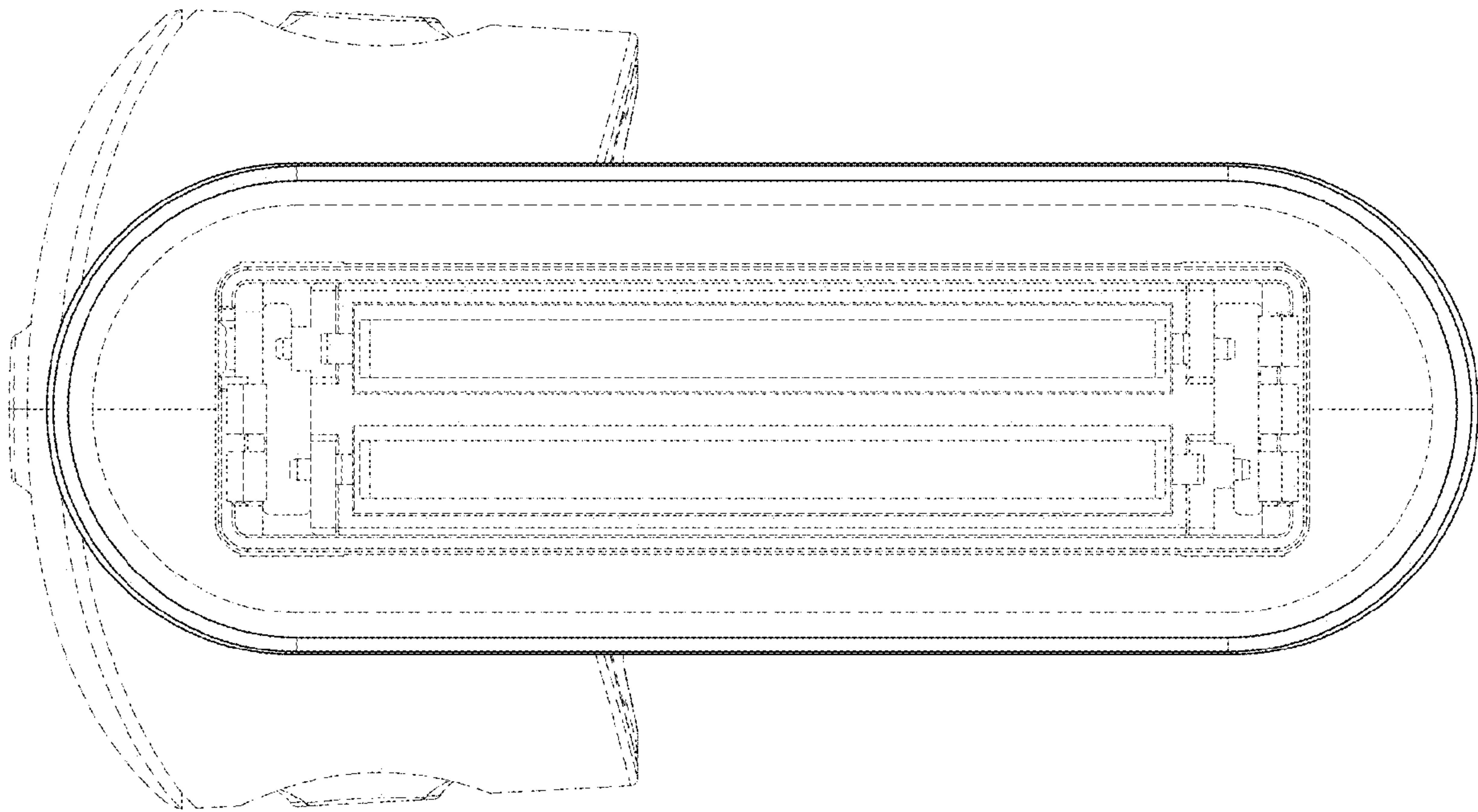


FIG. 8