



US00D901019S

(12) **United States Design Patent** (10) **Patent No.:** **US D901,019 S**
Nally et al. (45) **Date of Patent:** **** Nov. 3, 2020**

(54) **DOCKING STATION FOR AN ULTRASOUND DEVICE**

(71) Applicant: **FUJIFILM SONOSITE, INC.**,
Bothell, WA (US)

(72) Inventors: **Patrick Nally**, Bothell, WA (US);
Craig Chamberlain, Bothell, WA (US)

(73) Assignee: **FUJIFILM SONOSITE, INC.**,
Bothell, WA (US)

(**) Term: **15 Years**

(21) Appl. No.: **29/682,790**

(22) Filed: **Mar. 7, 2019**

(51) **LOC (12) Cl.** **24-01**

(52) **U.S. Cl.**
USPC **D24/186**

(58) **Field of Classification Search**
USPC D24/137, 138, 158–160, 185–187, 231;
D34/14

CPC A61B 8/445; A61B 8/4455; A61B 8/4461;
A61B 6/4405; A61B 6/4411; A61B
6/435; A61B 6/4441; A61B 6/4447; A61B
8/4405; A61B 8/4411; A61B 8/4427;
A61B 8/462; A61B 8/0437; A61B 8/0883

See application file for complete search history.

(56) **References Cited**

U.S. PATENT DOCUMENTS

6,821,250 B2 * 11/2004 Mesaros A61B 8/00
600/437
D616,551 S * 5/2010 Fallon D24/185

D697,212 S * 1/2014 Chung D24/158
D712,539 S * 9/2014 Hansen D24/158
D730,524 S * 5/2015 Kim D24/158
D730,528 S * 5/2015 Yang D24/185
D819,216 S * 5/2018 Ohno D24/185
D876,632 S * 2/2020 Henderson D24/158
D882,799 S * 4/2020 Moon D24/160
2010/0004535 A1 * 1/2010 Song A61B 8/4427
600/437

* cited by examiner

Primary Examiner — Anhdao Doan

(74) *Attorney, Agent, or Firm* — Womble Bond Dickinson
(US) LLP

(57) **CLAIM**

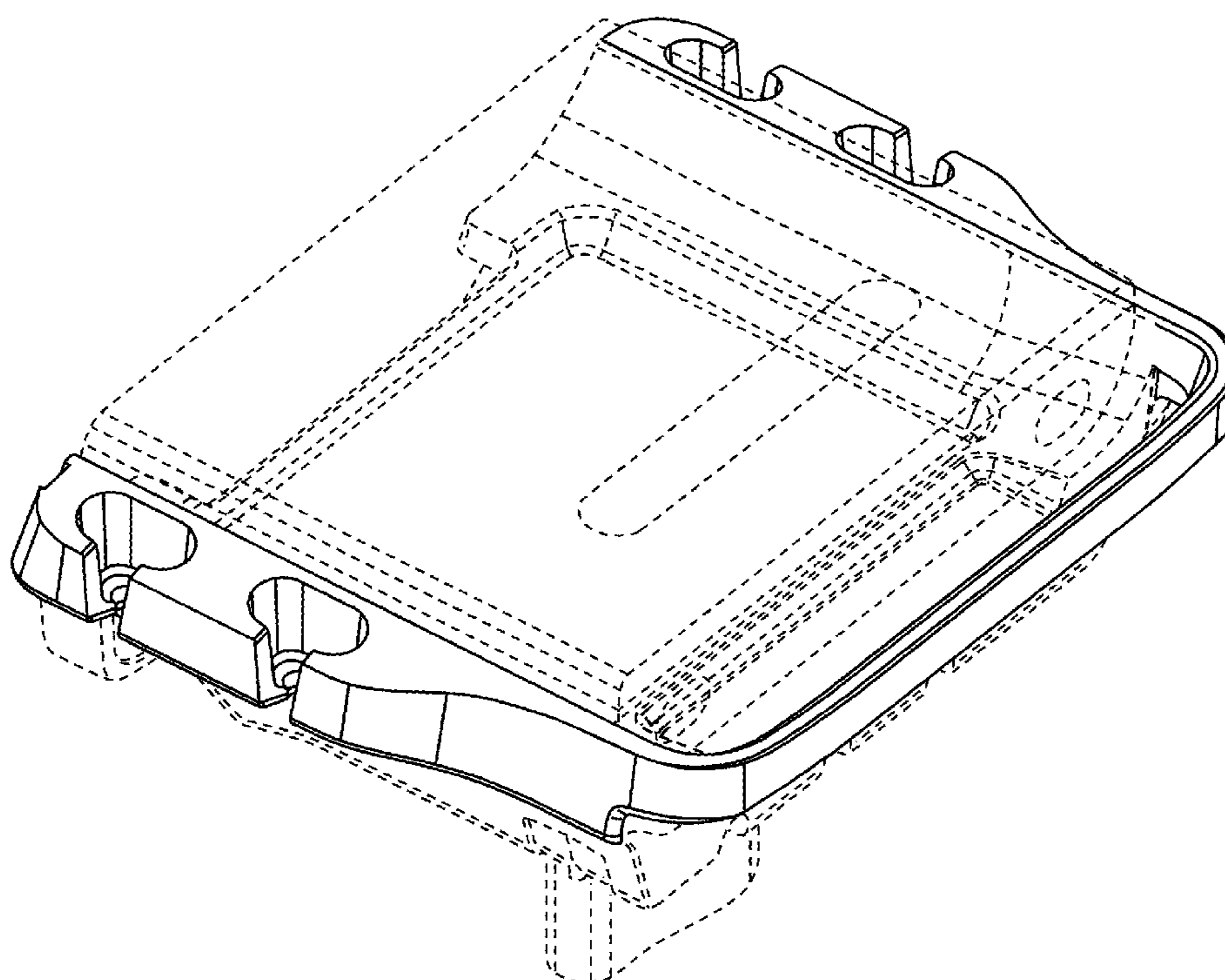
We claim the ornamental design for a docking station for an ultrasound device, as shown and described.

DESCRIPTION

FIG. 1 is a top left front perspective view of a docking station for an ultrasound device showing our new design; FIG. 2 is a bottom right perspective view thereof; FIG. 3 is a top view thereof; FIG. 4 is a bottom view thereof; FIG. 5 is a right side view thereof; FIG. 6 is a left side view thereof; FIG. 7 is a front view thereof; and, FIG. 8 is a rear view thereof.

The dashed broken lines illustrate portions of the docking station and form no part of the claimed design.

1 Claim, 8 Drawing Sheets



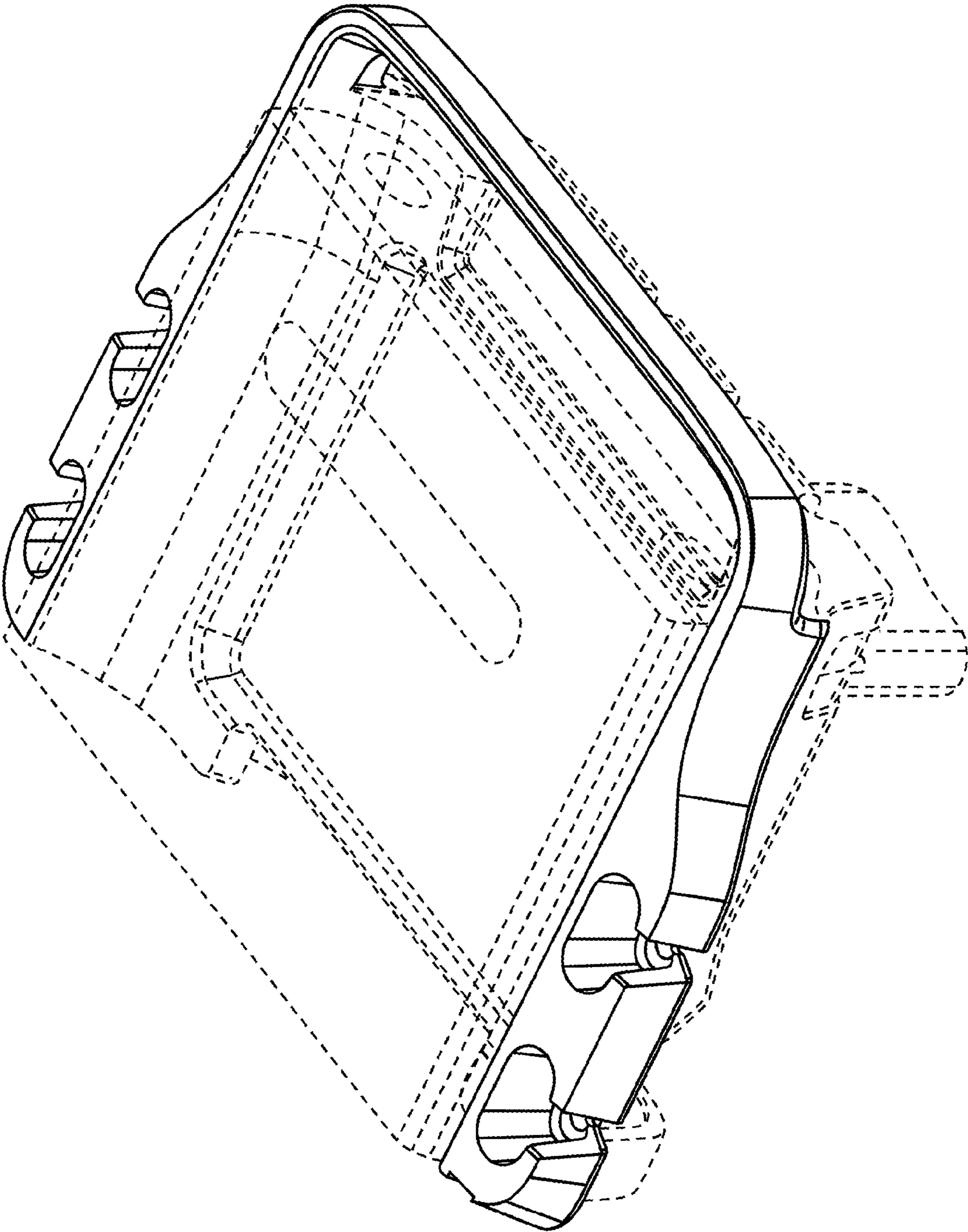


FIG. 1

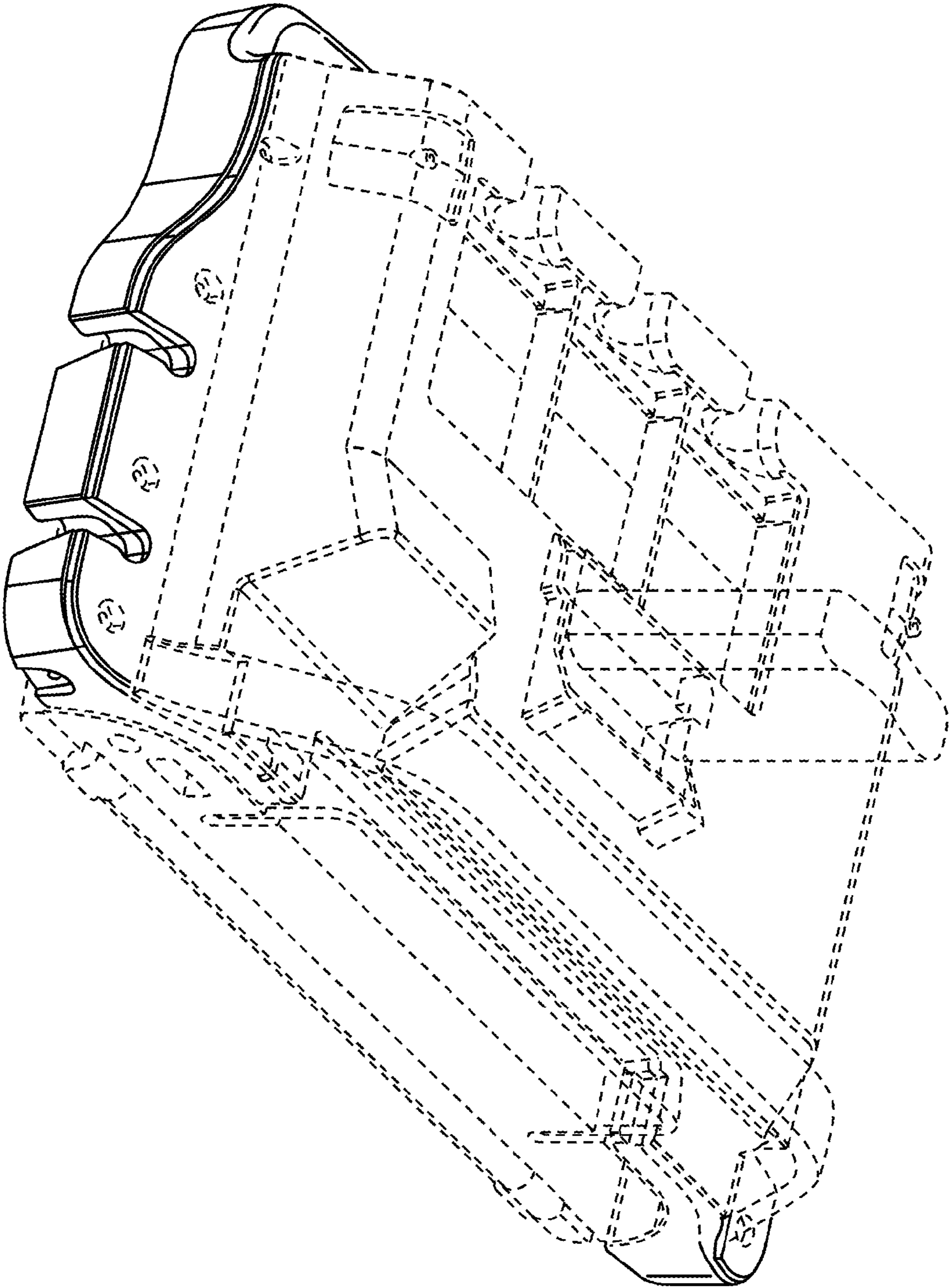


FIG. 2

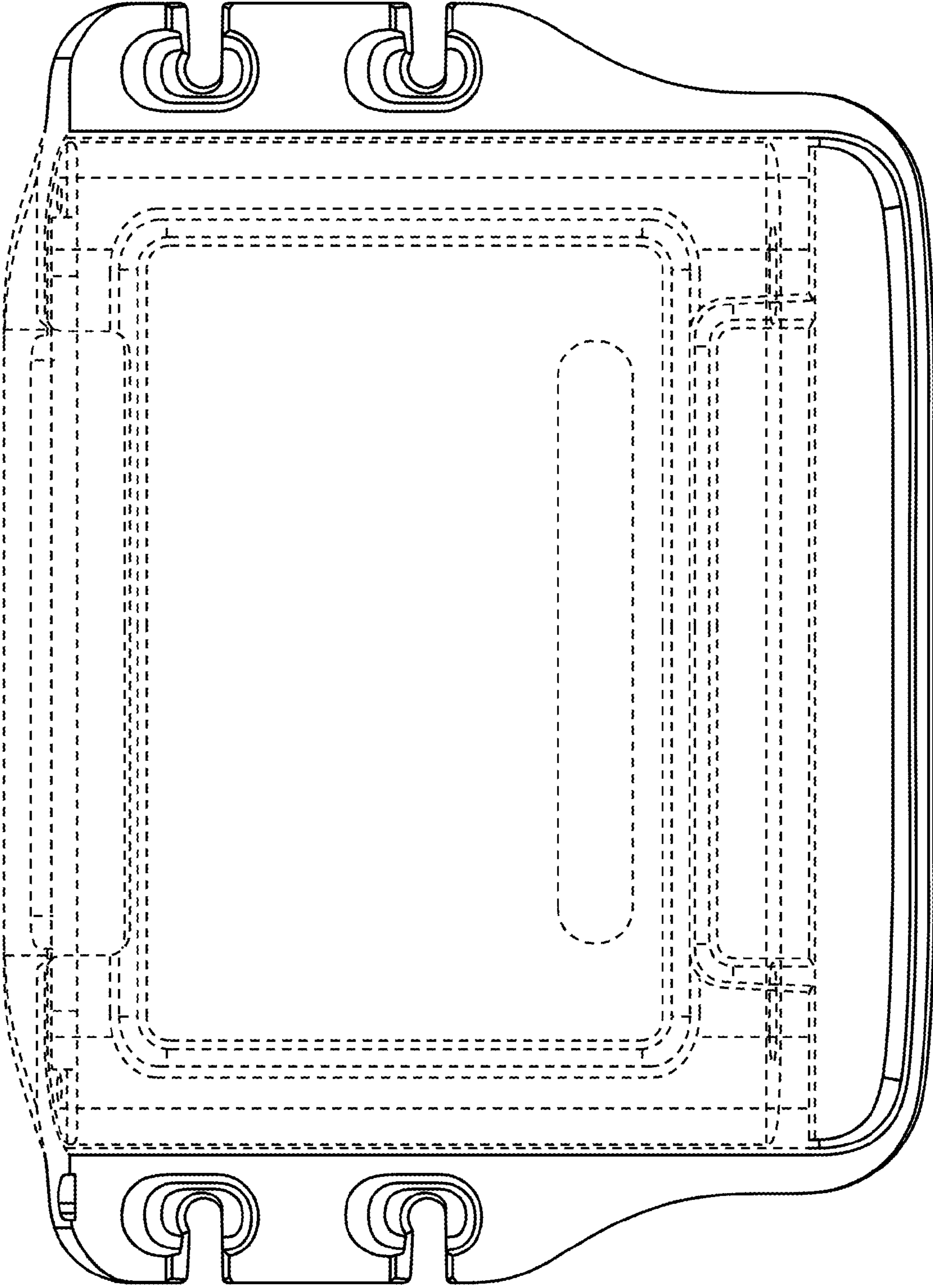


FIG. 3

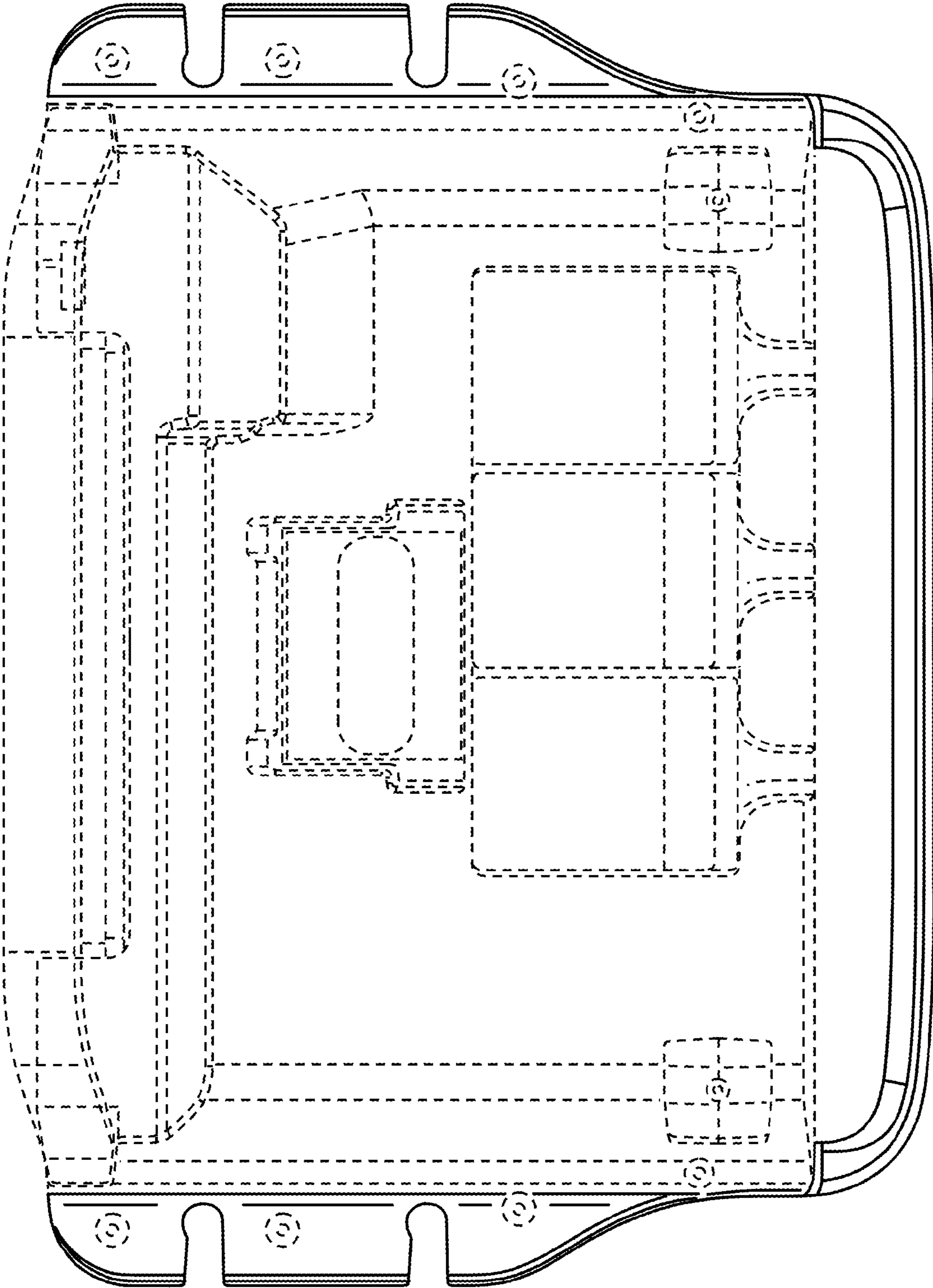


FIG. 4

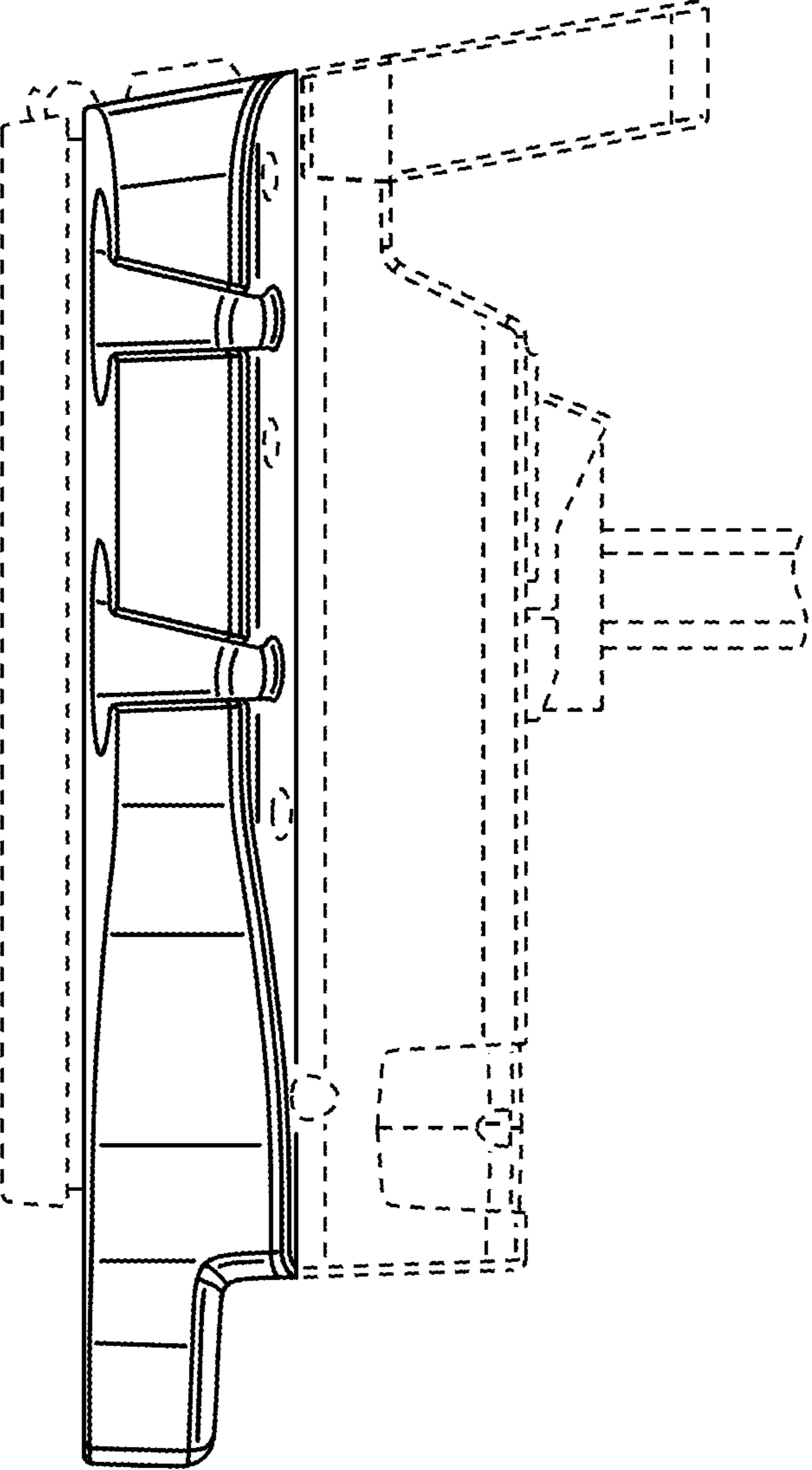


FIG. 5

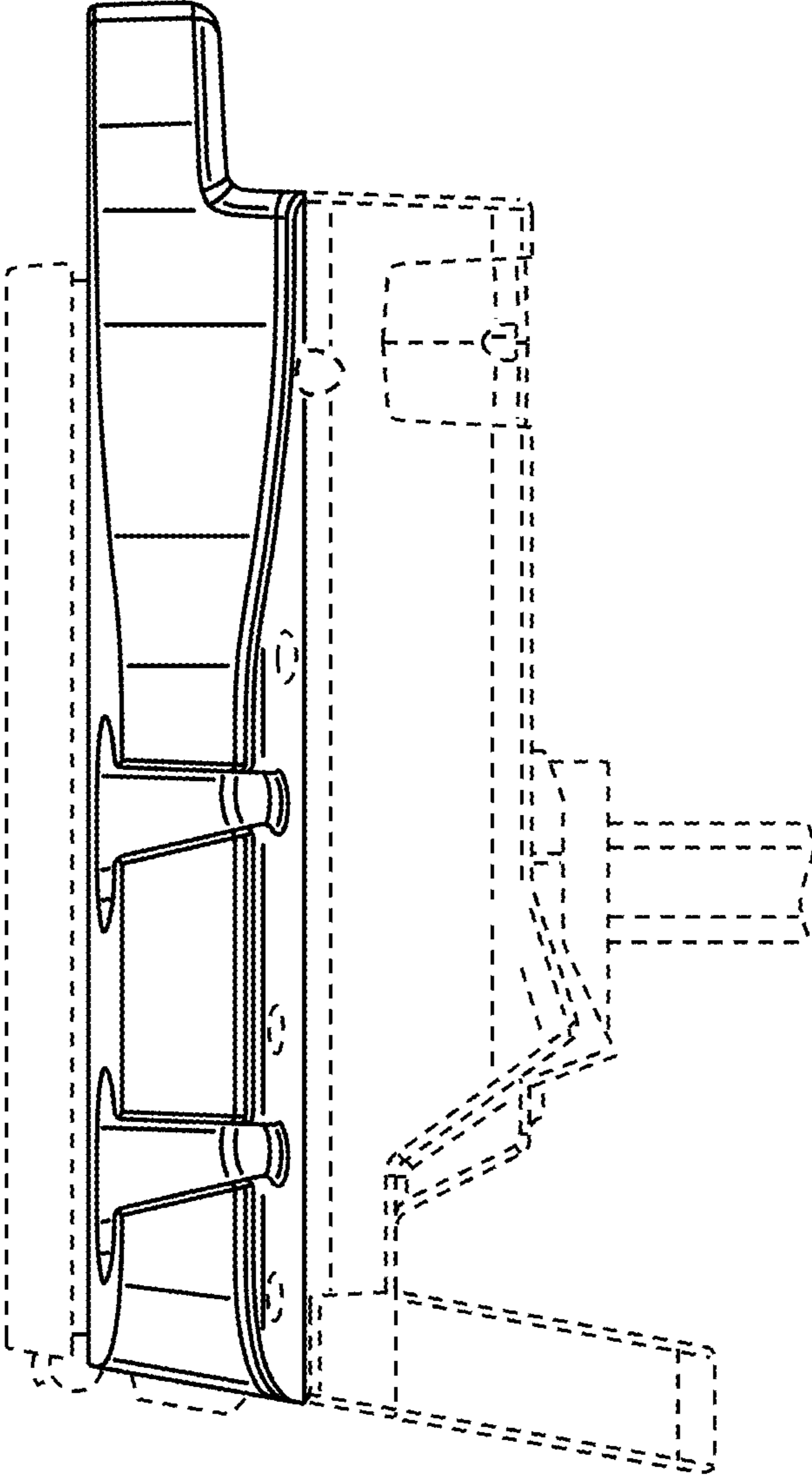


FIG. 6

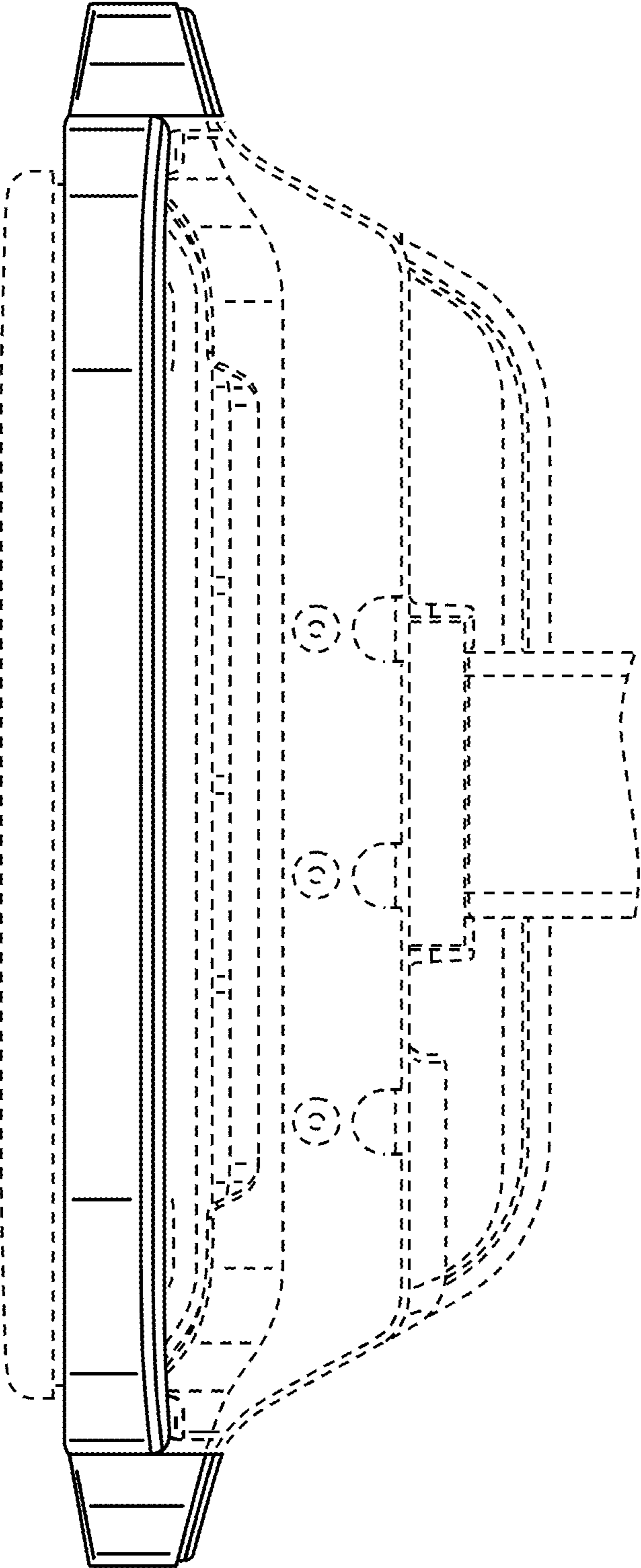


FIG. 7

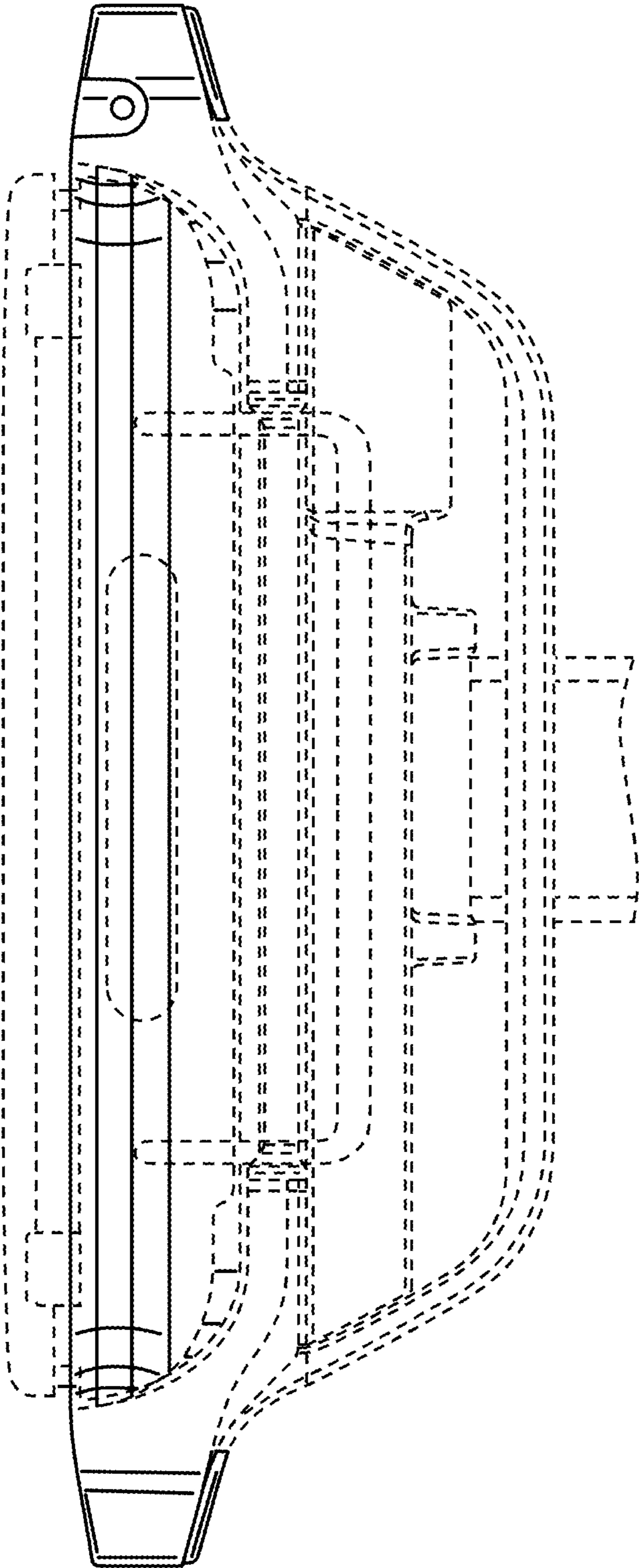


FIG. 8