



US00D901018S

(12) **United States Design Patent** (10) **Patent No.:** **US D901,018 S**
Swen et al. (45) **Date of Patent:** **** Nov. 3, 2020**

(54) **CONTROLLER**

D515,633 S * 2/2006 Avery D21/330
D542,792 S * 5/2007 Beamish D14/388
7,251,552 B2 * 7/2007 Schmeisser G06F 1/1609
340/438

(71) Applicant: **Auris Health, Inc.**, Redwood City, CA
(US)

(Continued)

(72) Inventors: **Kyle N. Swen**, San Carlos, CA (US);
Brett Harrison Newman, San
Francisco, CA (US); **François Pierre**
René Dransart, San Francisco, CA
(US)

FOREIGN PATENT DOCUMENTS

CN 302825849 S 5/2014
CN 303409207 S 10/2015

(Continued)

(73) Assignee: **Auris Health, Inc.**, Redwood City, CA
(US)

Primary Examiner — Rhea Shields

(74) *Attorney, Agent, or Firm* — Knobbe Martens Olson
& Bear LLP

(**) Term: **15 Years**

(57) **CLAIM**

(21) Appl. No.: **29/634,024**

The ornamental design for a controller, as shown and
described.

(22) Filed: **Jan. 17, 2018**

(51) **LOC (12) Cl.** **24-02**

(52) **U.S. Cl.**

USPC **D24/185**

(58) **Field of Classification Search**

USPC D24/185, 158, 167, 107; D14/401, 426,
D14/388; D21/330

CPC ... A61B 5/0537; G06F 1/1609; G06F 3/0213;
A63F 13/06

See application file for complete search history.

DESCRIPTION

FIG. 1 is a top, front, left perspective view of a first
embodiment of a controller;

FIG. 2 is a top view of the first embodiment;

FIG. 3 is a bottom view of the first embodiment;

FIG. 4 is a left-side view of the first embodiment

FIG. 5 is a right side view of the first embodiment;

FIG. 6 is a front view of the first embodiment; and

FIG. 7 is a review view of the first embodiment.

FIG. 8 is a top, front, left perspective view of a second
embodiment of a controller;

FIG. 9 is a top view of the second embodiment;

FIG. 10 is a bottom view of the second embodiment;

FIG. 11 is a left-side view of the second embodiment

FIG. 12 is a right side view of the second embodiment;

FIG. 13 is a front view of the second embodiment; and,

FIG. 14 is a review view of the second embodiment.

In the drawings, the broken lines are for the purpose of
illustrating portions of the Controller that form no part of the
claimed design.

(56) **References Cited**

U.S. PATENT DOCUMENTS

5,817,031 A * 10/1998 Masuo A61B 5/0537
600/547

6,153,843 A * 11/2000 Date A63F 13/06
200/339

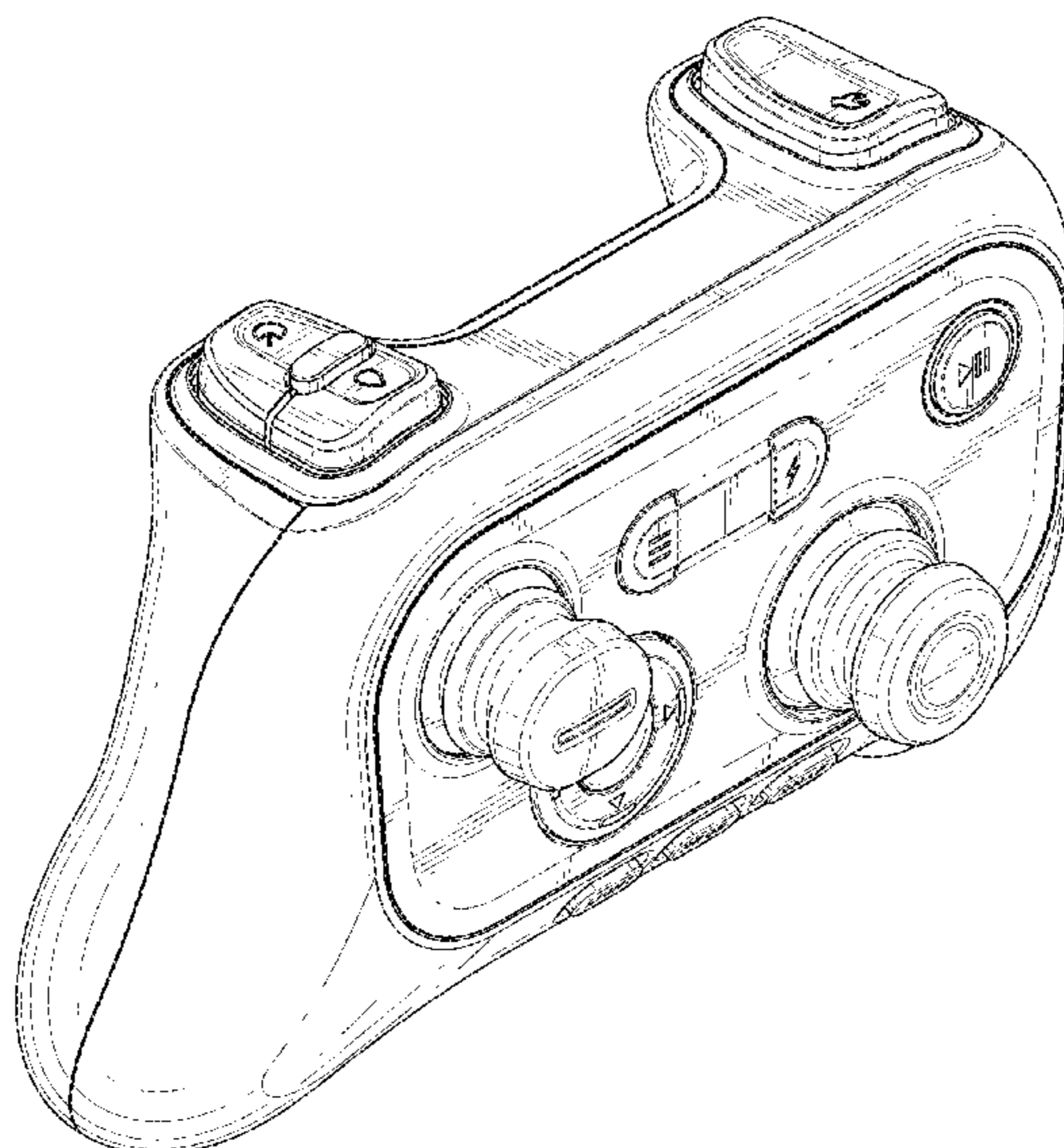
D456,895 S * 5/2002 Sakai D24/107

6,409,600 B1 * 6/2002 Sobota A63F 13/06
463/37

D493,495 S * 7/2004 Avery D21/330

6,885,314 B2 * 4/2005 Levin G06F 3/0213
341/20

1 Claim, 12 Drawing Sheets



(56)

References Cited

U.S. PATENT DOCUMENTS

7,553,160 B2 * 6/2009 Wood A63F 13/08
 434/322
 D609,706 S * 2/2010 Helt, III D14/426
 D679,399 S * 4/2013 Syu D24/167
 D721,140 S * 1/2015 Seflic D14/401
 D750,784 S * 3/2016 Anderson D24/158
 D766,902 S * 9/2016 Bellinghausen D14/401
 9,561,083 B2 2/2017 Yu et al.
 9,622,827 B2 4/2017 Yu et al.
 9,636,184 B2 5/2017 Lee et al.
 9,713,509 B2 7/2017 Schuh et al.
 9,727,963 B2 8/2017 Mintz et al.
 9,737,371 B2 8/2017 Romo et al.
 9,737,373 B2 8/2017 Schuh
 9,744,335 B2 8/2017 Jiang
 9,763,741 B2 9/2017 Alvarez et al.
 9,788,910 B2 10/2017 Schuh
 9,818,681 B2 11/2017 Machida
 9,844,412 B2 12/2017 Bogusky et al.
 9,867,635 B2 1/2018 Alvarez et al.
 9,918,681 B2 3/2018 Wallace et al.
 9,931,025 B1 4/2018 Graetzel et al.
 9,949,749 B2 4/2018 Noonan et al.
 9,955,986 B2 5/2018 Shah
 9,962,228 B2 5/2018 Schuh et al.
 9,980,785 B2 5/2018 Schuh
 9,993,313 B2 6/2018 Schuh et al.
 10,016,900 B1 7/2018 Meyer et al.
 10,022,192 B1 7/2018 Ummalaneni
 10,145,747 B1 12/2018 Lin et al.
 10,159,532 B1 12/2018 Ummalaneni et al.
 10,285,574 B2 5/2019 Landey et al.
 10,299,870 B2 5/2019 Connolly et al.
 10,426,559 B2 10/2019 Graetzel et al.
 10,434,660 B2 10/2019 Meyer
 10,464,209 B2 11/2019 Ho et al.
 10,470,830 B2 11/2019 Hill
 10,482,599 B2 11/2019 Mintz et al.
 10,517,692 B2 12/2019 Eyre et al.
 10,524,866 B2 1/2020 Srinivasan
 10,539,478 B2 1/2020 Lin
 10,555,778 B2 2/2020 Ummalaneni et al.
 10,639,114 B2 5/2020 Schuh
 10,667,875 B2 6/2020 DeFonzo
 2014/0142591 A1 5/2014 Alvarez et al.
 2014/0309649 A1 10/2014 Alvarez et al.
 2014/0357984 A1 12/2014 Wallace et al.
 2014/0364870 A1 12/2014 Alvarez et al.
 2014/0379000 A1 12/2014 Romo et al.
 2015/0051592 A1 2/2015 Kintz
 2015/0101442 A1 4/2015 Romo
 2015/0119638 A1 4/2015 Yu et al.
 2015/0164594 A1 6/2015 Romo et al.
 2015/0164596 A1 6/2015 Romo
 2015/0335480 A1 11/2015 Alvarez et al.
 2016/0001038 A1 1/2016 Romo et al.
 2016/0270865 A1 9/2016 Landey et al.
 2016/0287279 A1 10/2016 Bovay et al.
 2016/0296294 A1 10/2016 Moll et al.
 2016/0374541 A1 12/2016 Agrawal et al.
 2017/0007337 A1 1/2017 Dan
 2017/0100199 A1 4/2017 Yu et al.
 2017/0119413 A1 5/2017 Romo
 2017/0119481 A1 5/2017 Romo et al.
 2017/0165011 A1 6/2017 Bovay et al.
 2017/0172673 A1 6/2017 Yu et al.
 2017/0202627 A1 7/2017 Sramek et al.
 2017/0209073 A1 7/2017 Sramek et al.
 2017/0290631 A1 10/2017 Lee et al.
 2017/0333679 A1 11/2017 Jiang

2017/0340396 A1 11/2017 Romo et al.
 2017/0365055 A1 12/2017 Mintz et al.
 2017/0367782 A1 12/2017 Schuh et al.
 2018/0025666 A1 1/2018 Ho et al.
 2018/0177383 A1 6/2018 Noonan et al.
 2018/0177556 A1 6/2018 Noonan et al.
 2018/0177561 A1 6/2018 Mintz et al.
 2018/0214011 A1 8/2018 Graetzel et al.
 2018/0221038 A1 8/2018 Noonan et al.
 2018/0221039 A1 8/2018 Shah
 2018/0250083 A1 9/2018 Schuh et al.
 2018/0271616 A1 9/2018 Schuh et al.
 2018/0279852 A1 10/2018 Rafii-Tari et al.
 2018/0280660 A1 10/2018 Landey et al.
 2018/0289431 A1 10/2018 Draper et al.
 2018/0325499 A1 11/2018 Landey et al.
 2018/0333044 A1 11/2018 Jenkins
 2018/0360435 A1 12/2018 Romo
 2019/0000559 A1 1/2019 Berman et al.
 2019/0000560 A1 1/2019 Berman et al.
 2019/0000576 A1 1/2019 Mintz et al.
 2019/0083183 A1 3/2019 Moll et al.
 2019/0110839 A1 4/2019 Rafii-Tari et al.
 2019/0151148 A1 4/2019 Alvarez et al.
 2019/0167366 A1 6/2019 Ummalaneni
 2019/0175009 A1 6/2019 Mintz
 2019/0175062 A1 6/2019 Rafii-Tari et al.
 2019/0175799 A1 6/2019 Hsu
 2019/0183585 A1 6/2019 Rafii-Tari et al.
 2019/0183587 A1 6/2019 Rafii-Tari et al.
 2019/0216548 A1 7/2019 Ummalaneni
 2019/0216576 A1 7/2019 Eyre
 2019/0223974 A1 7/2019 Romo
 2019/0228525 A1 7/2019 Mintz et al.
 2019/0246882 A1 8/2019 Graetzel et al.
 2019/0262086 A1 8/2019 Connolly et al.
 2019/0269468 A1 9/2019 Hsu et al.
 2019/0274764 A1 9/2019 Romo
 2019/0290109 A1 9/2019 Agrawal et al.
 2019/0298160 A1 10/2019 Ummalaneni et al.
 2019/0298460 A1 10/2019 Al-Jadda
 2019/0298465 A1 10/2019 Chin
 2019/0328213 A1 10/2019 Landey et al.
 2019/0336238 A1 11/2019 Yu
 2019/0365209 A1 12/2019 Ye et al.
 2019/0365479 A1 12/2019 Rafii-Tari
 2019/0365486 A1 12/2019 Srinivasan et al.
 2019/0374297 A1 12/2019 Wallace et al.
 2019/0375383 A1 12/2019 Alvarez
 2019/0380787 A1 12/2019 Ye
 2019/0380797 A1 12/2019 Yu
 2020/0000533 A1 1/2020 Schuh
 2020/0022767 A1 1/2020 Hill
 2020/0039086 A1 2/2020 Meyer
 2020/0046434 A1 2/2020 Graetzel
 2020/0054408 A1 2/2020 Schuh et al.
 2020/0060516 A1 2/2020 Baez
 2020/0093549 A1 3/2020 Chin
 2020/0093554 A1 3/2020 Schuh
 2020/0100845 A1 4/2020 Julian
 2020/0100853 A1 4/2020 Ho
 2020/0100855 A1 4/2020 Leparmentier
 2020/0101264 A1 4/2020 Jiang
 2020/0107894 A1 4/2020 Wallace
 2020/0121502 A1 4/2020 Kintz
 2020/0146769 A1 5/2020 Eyre

FOREIGN PATENT DOCUMENTS

JP D1507242 8/2014
 JP HJ26063947 3/2015
 JP D1581313 6/2017

* cited by examiner

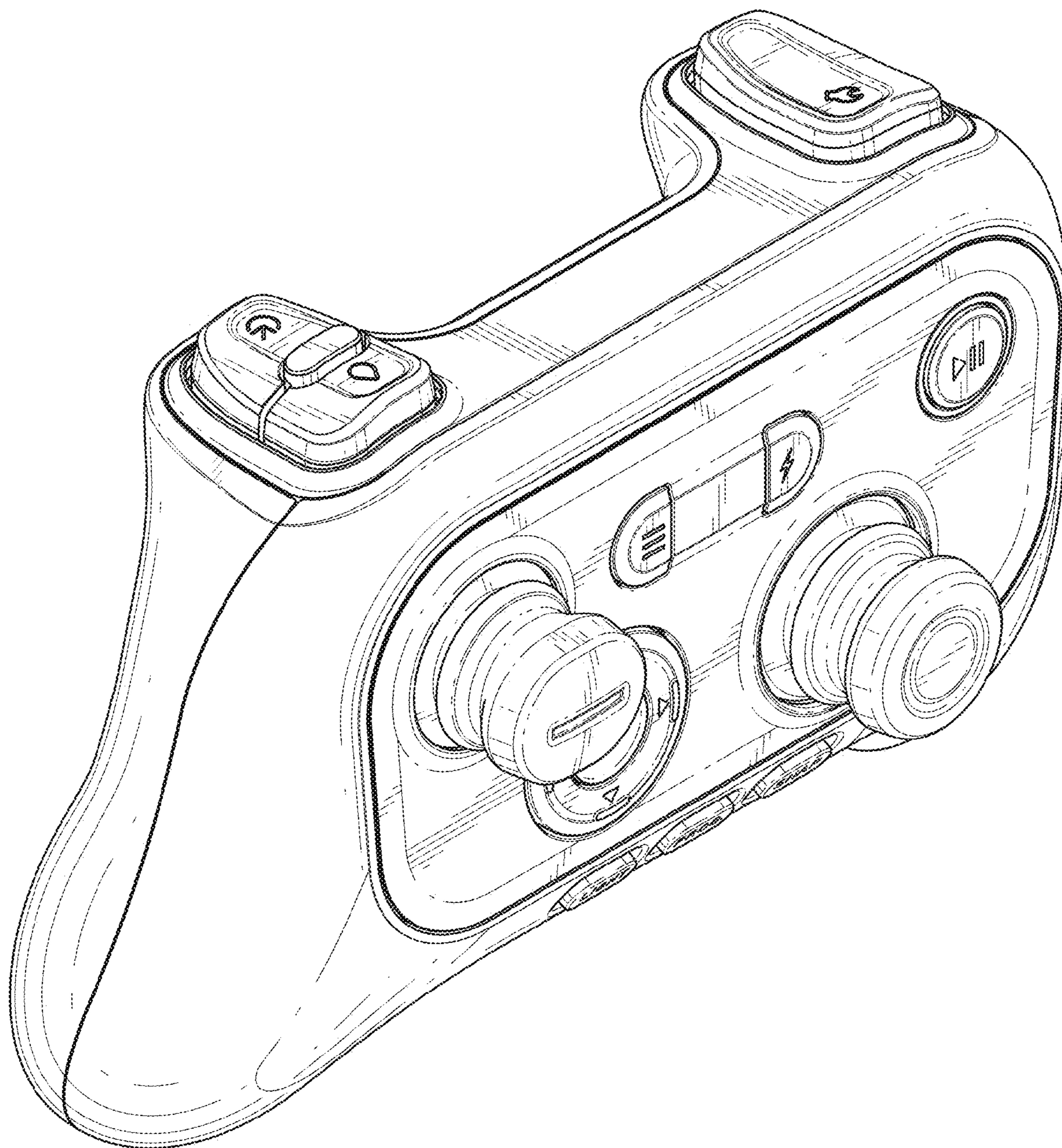


FIG. 1

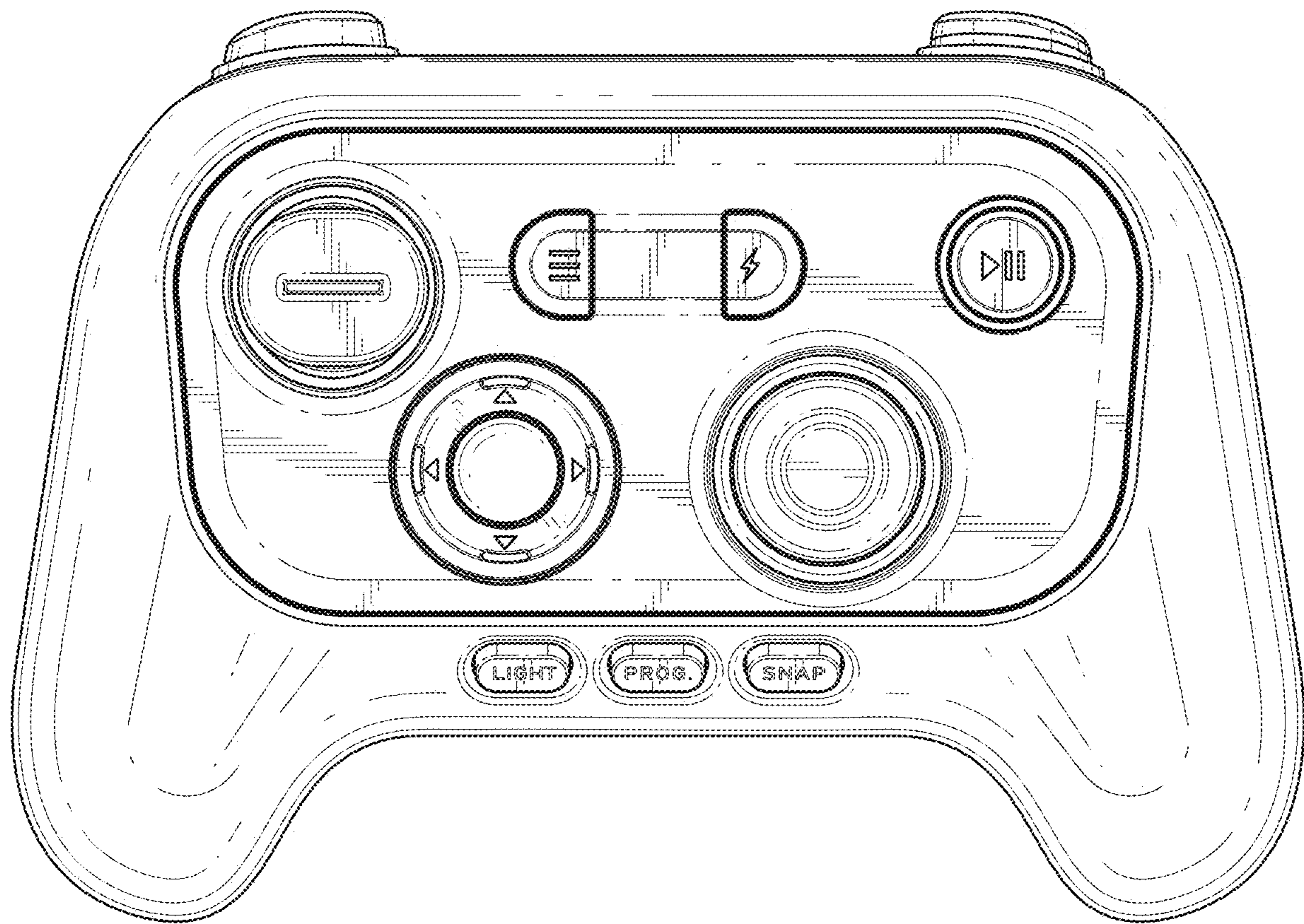


FIG. 2

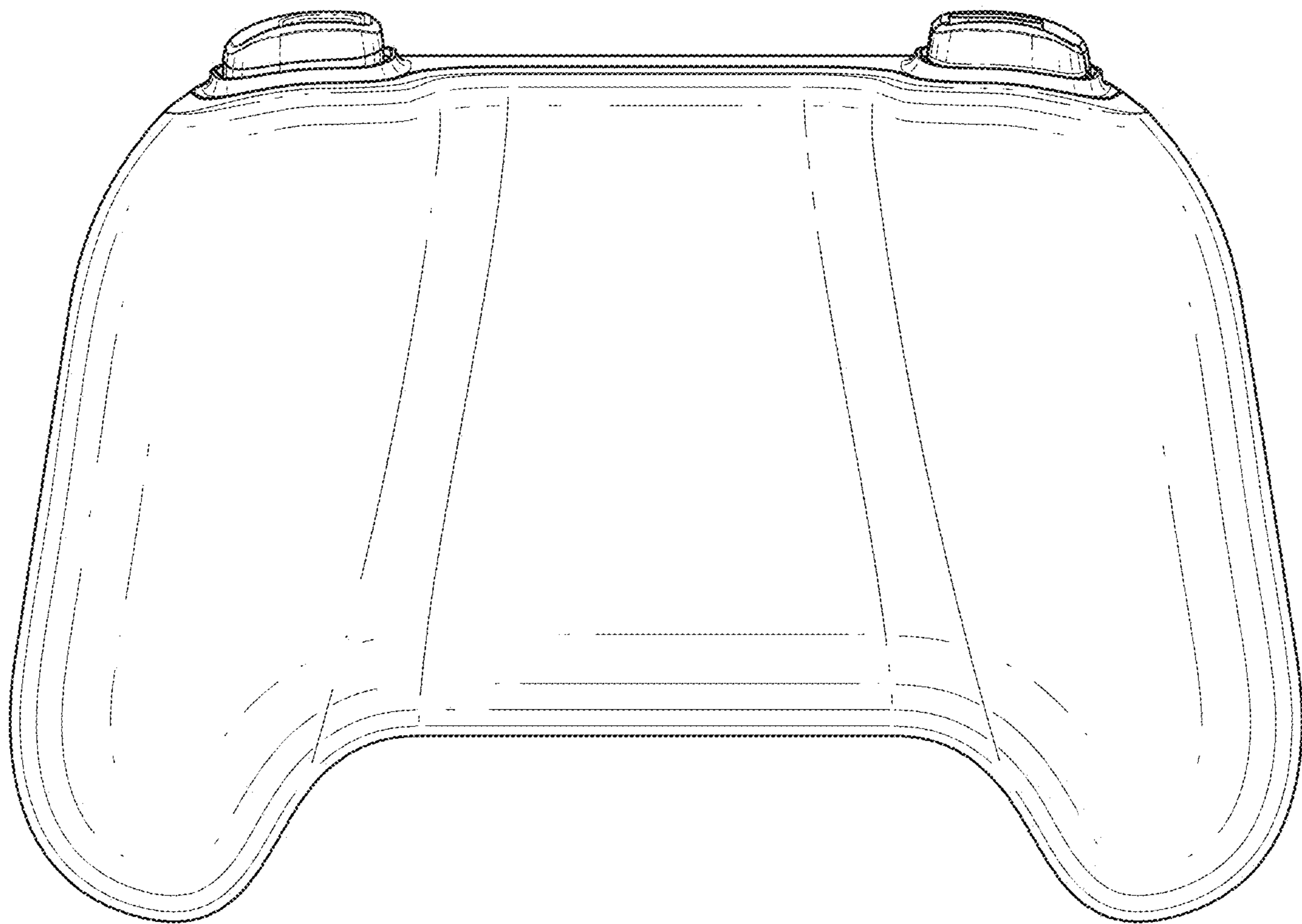


FIG. 3

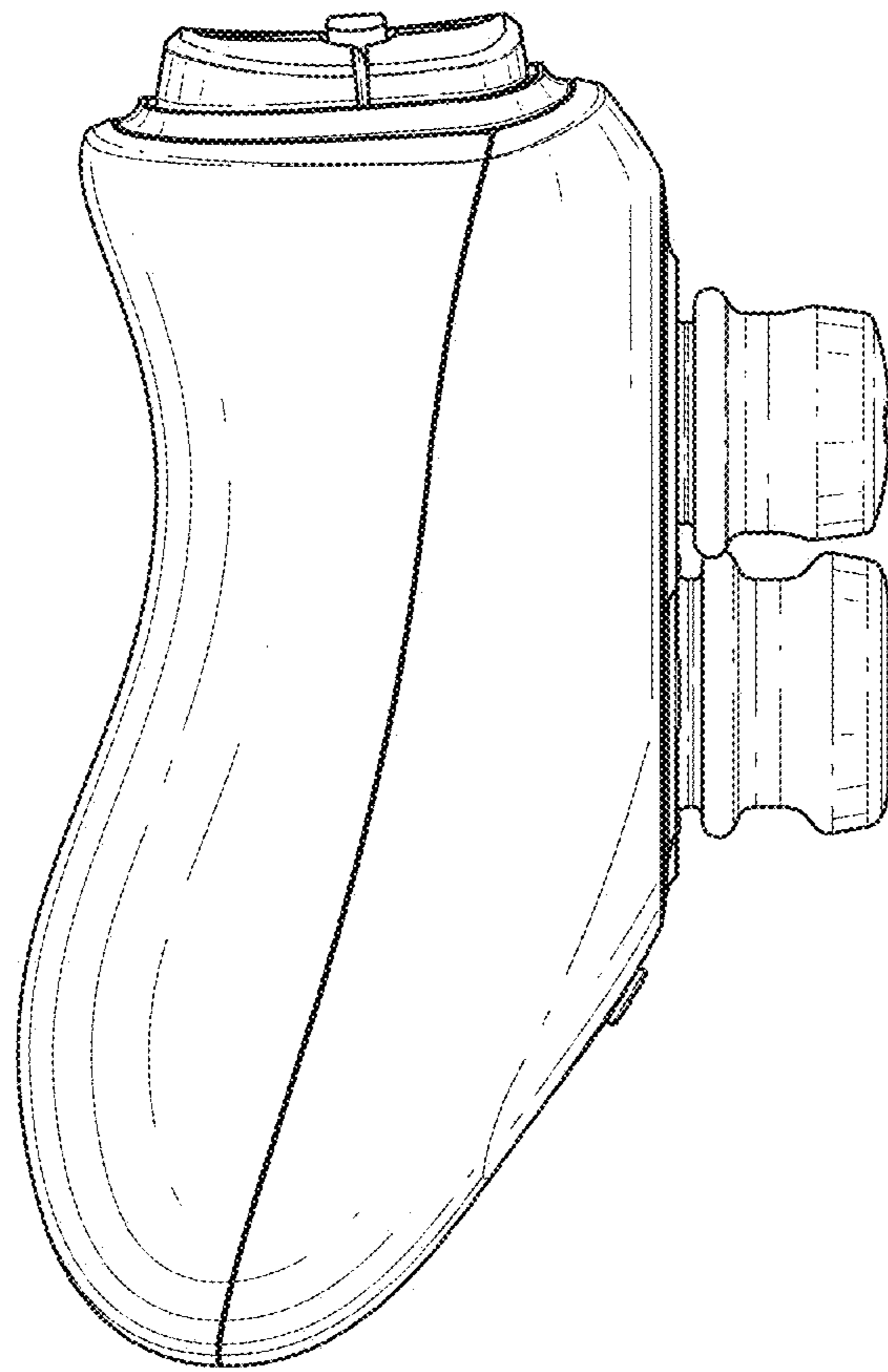


FIG. 4

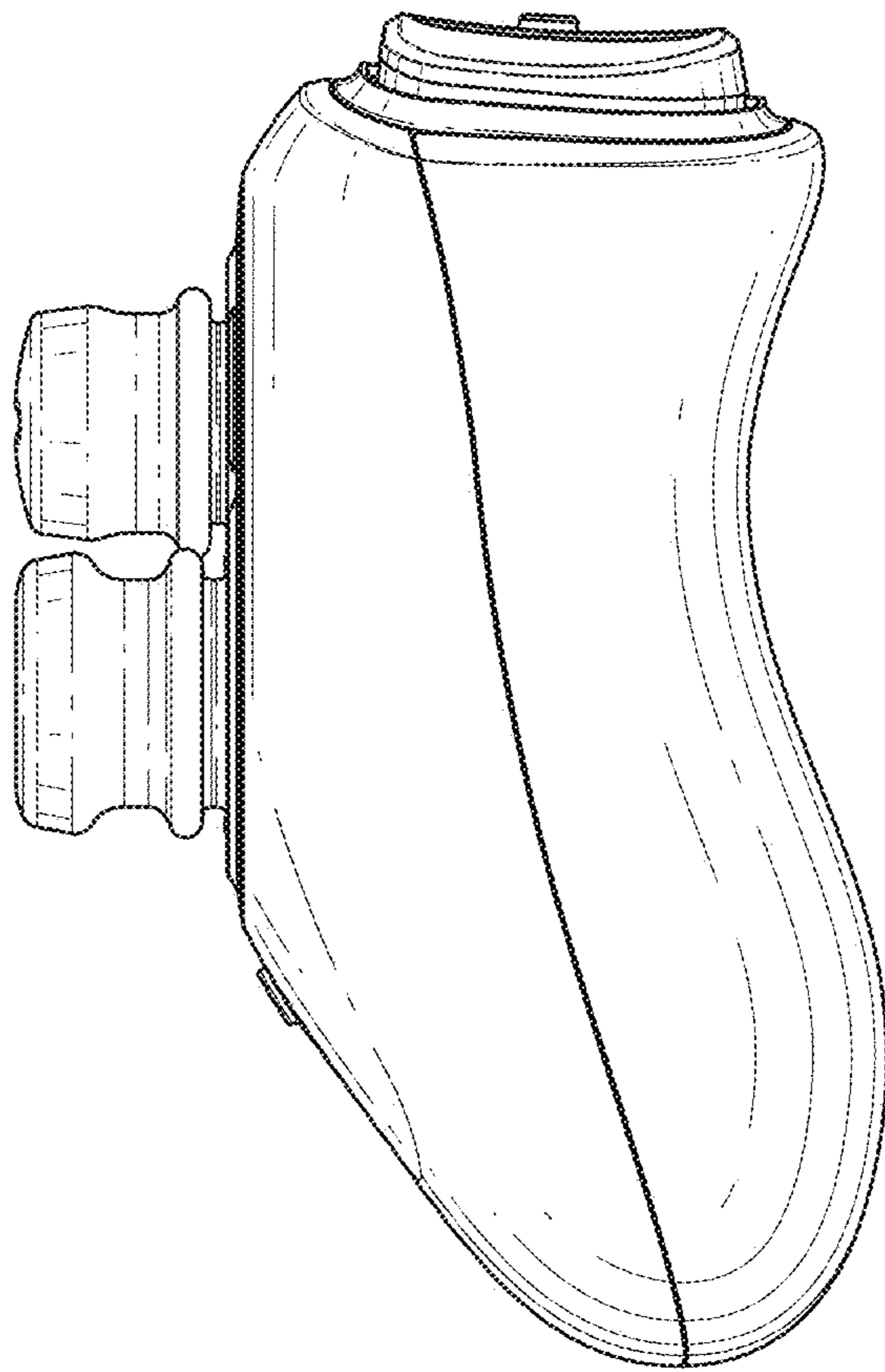


FIG. 5

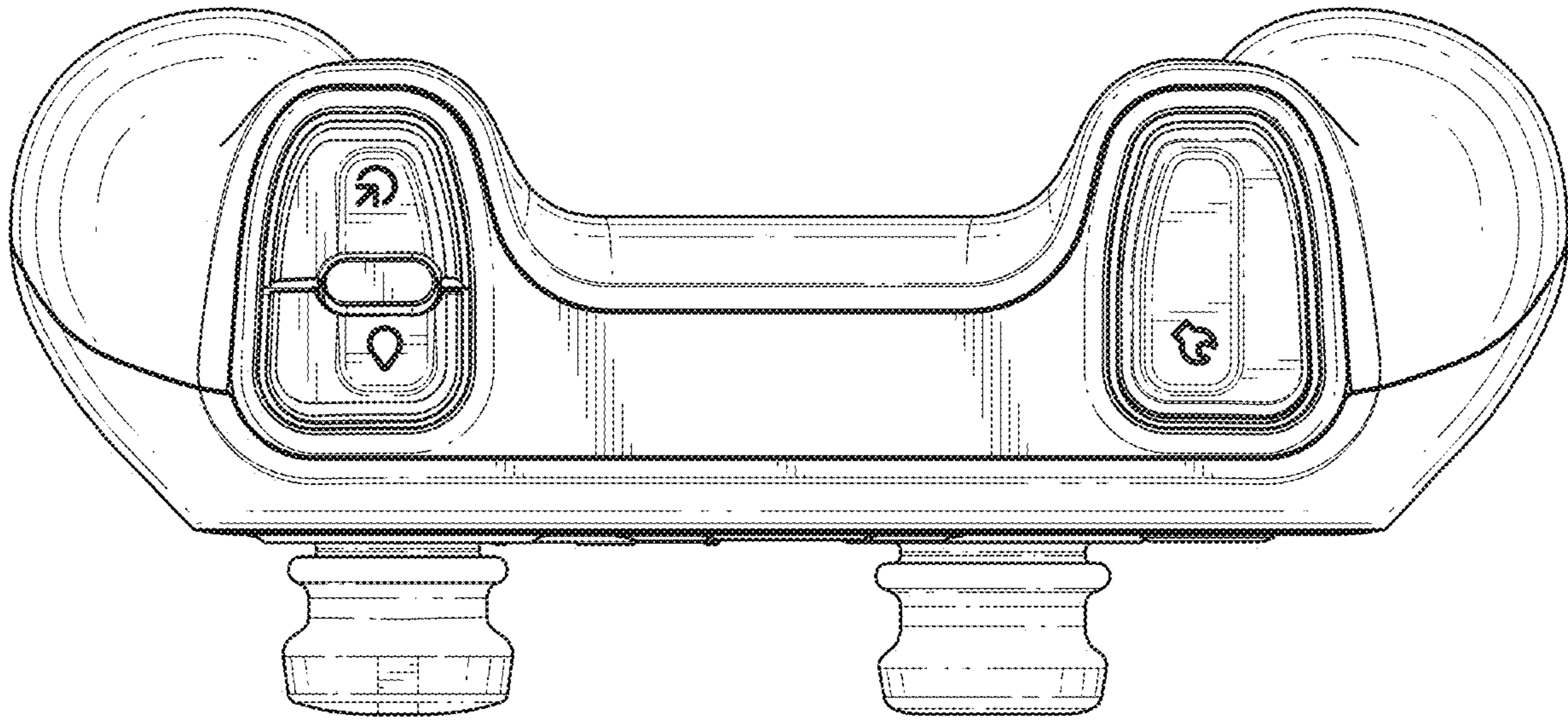


FIG. 6

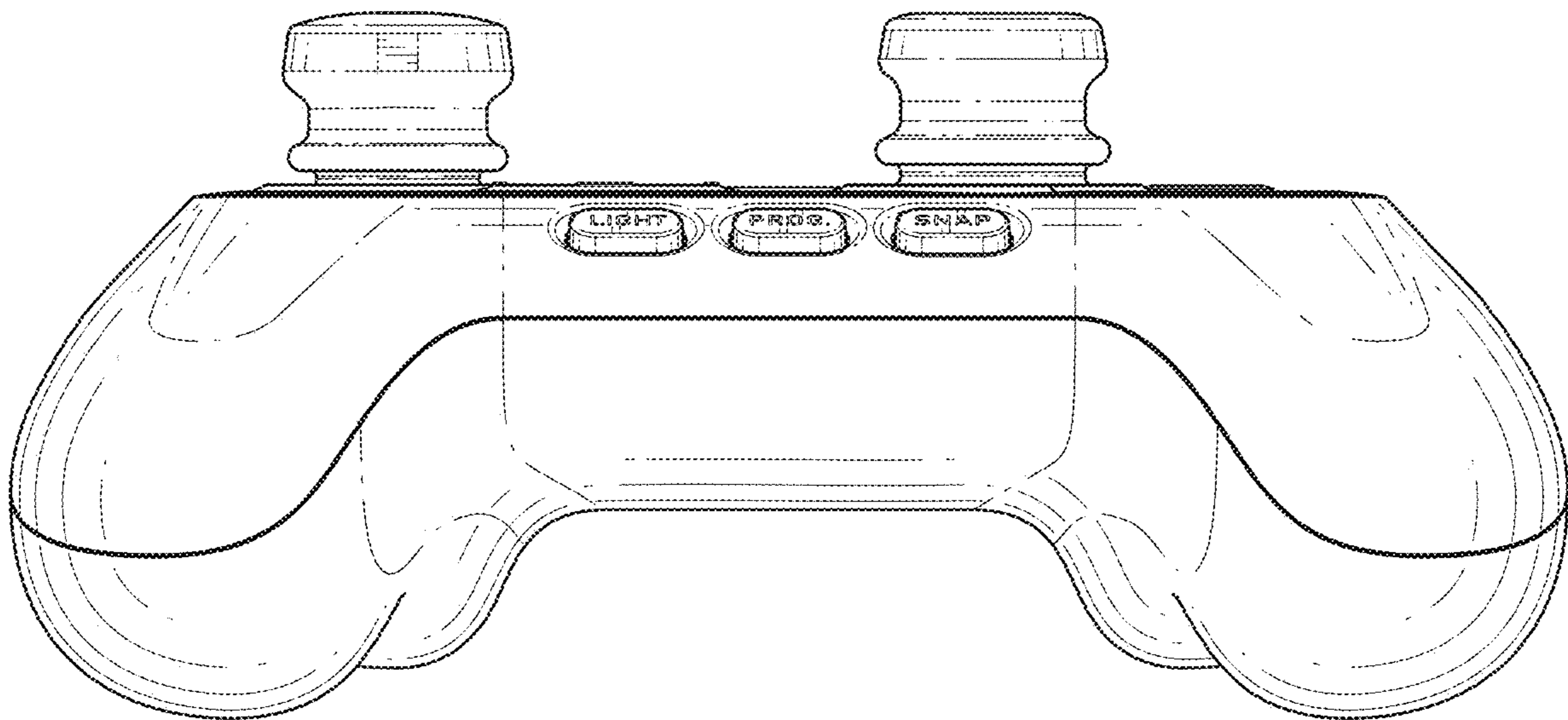


FIG. 7

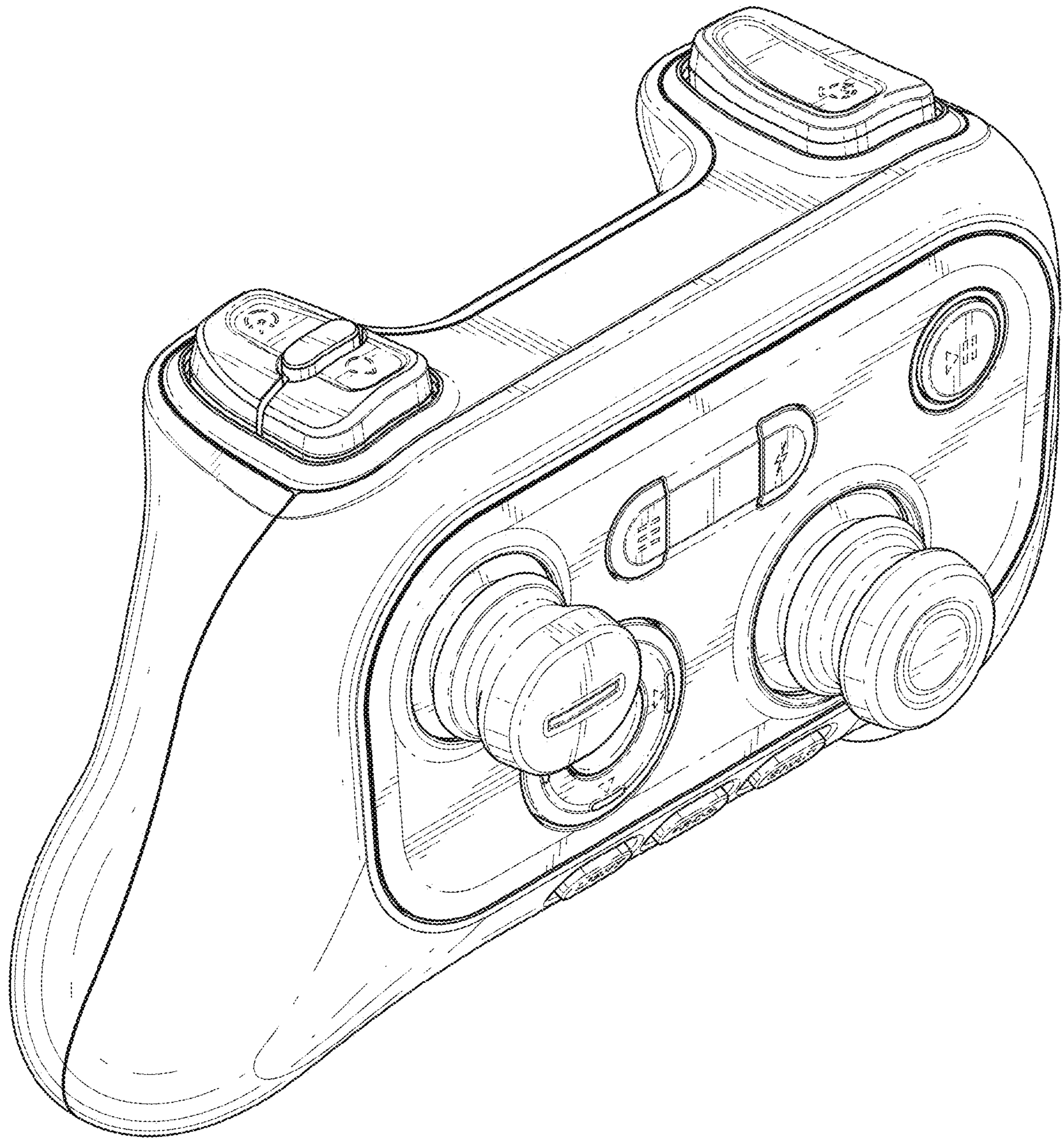


FIG. 8

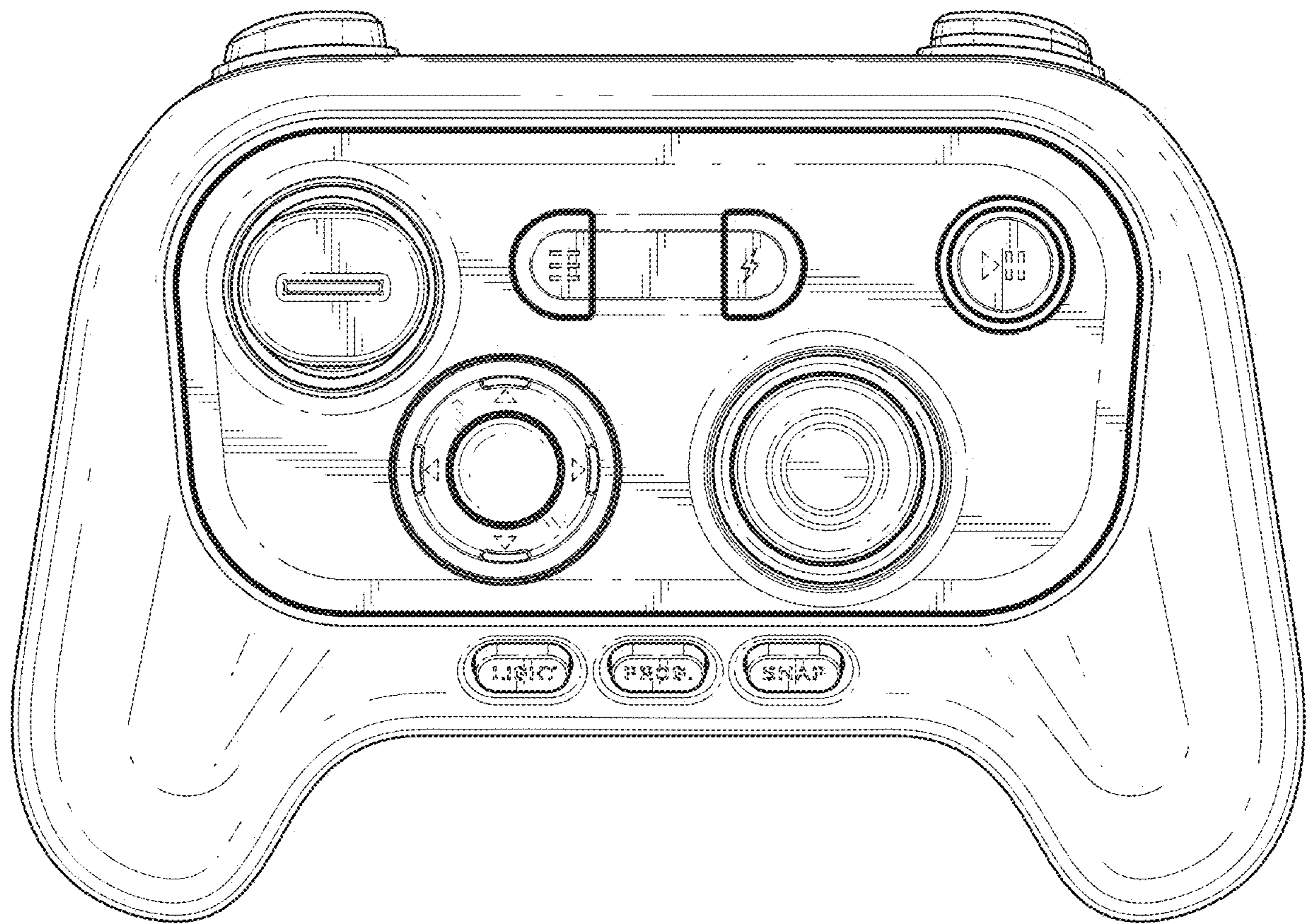


FIG. 9

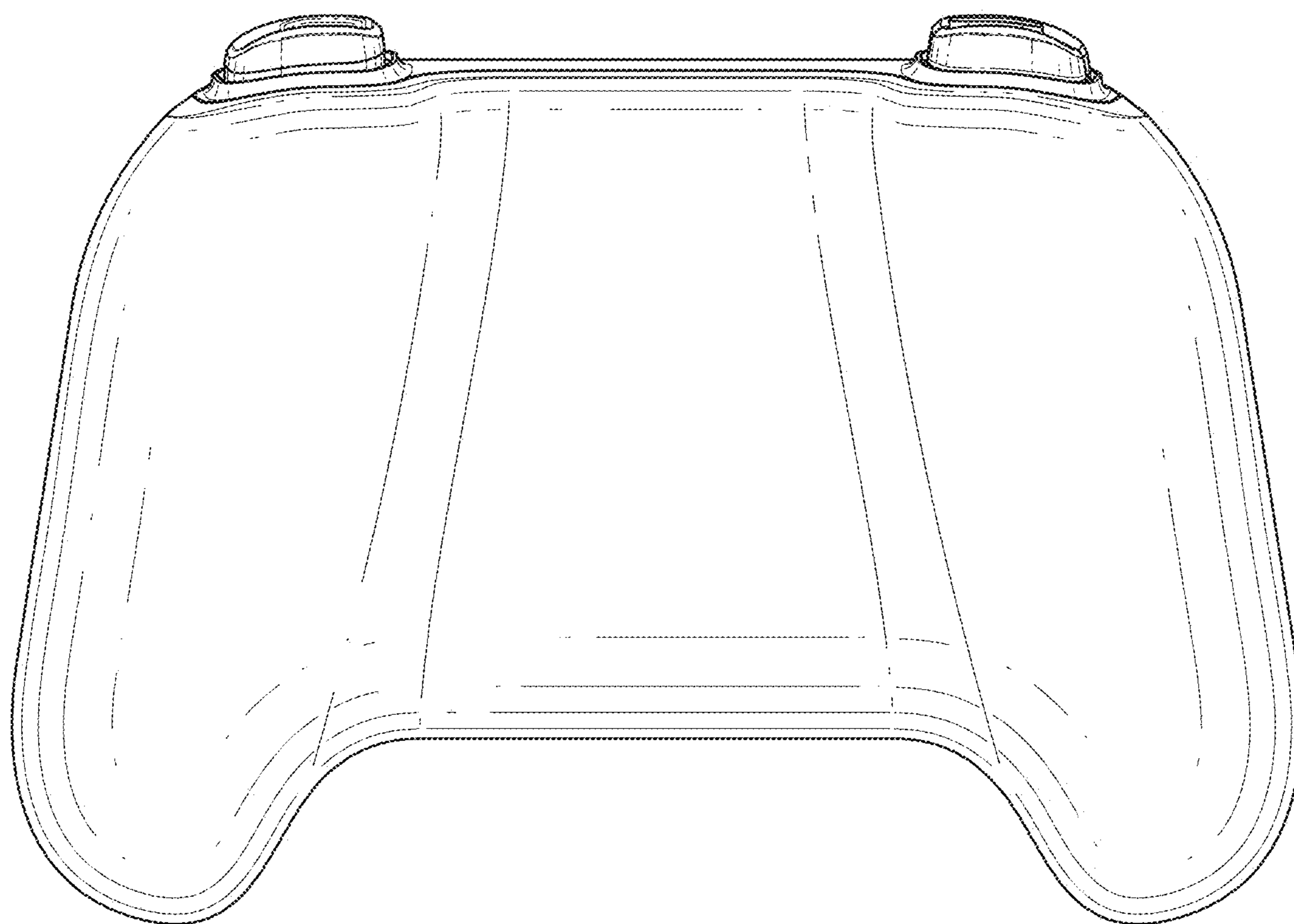


FIG. 10

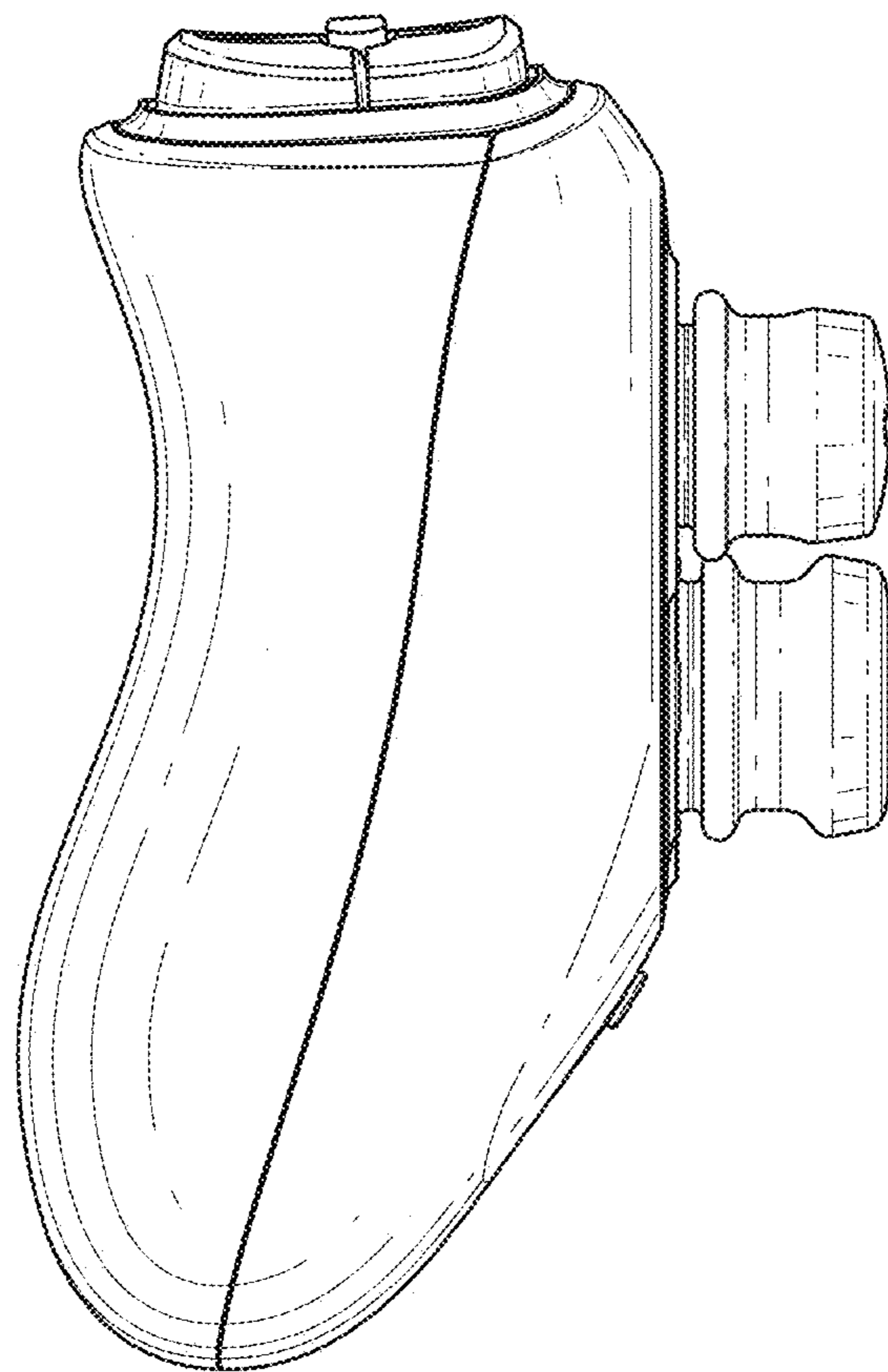


FIG. 11

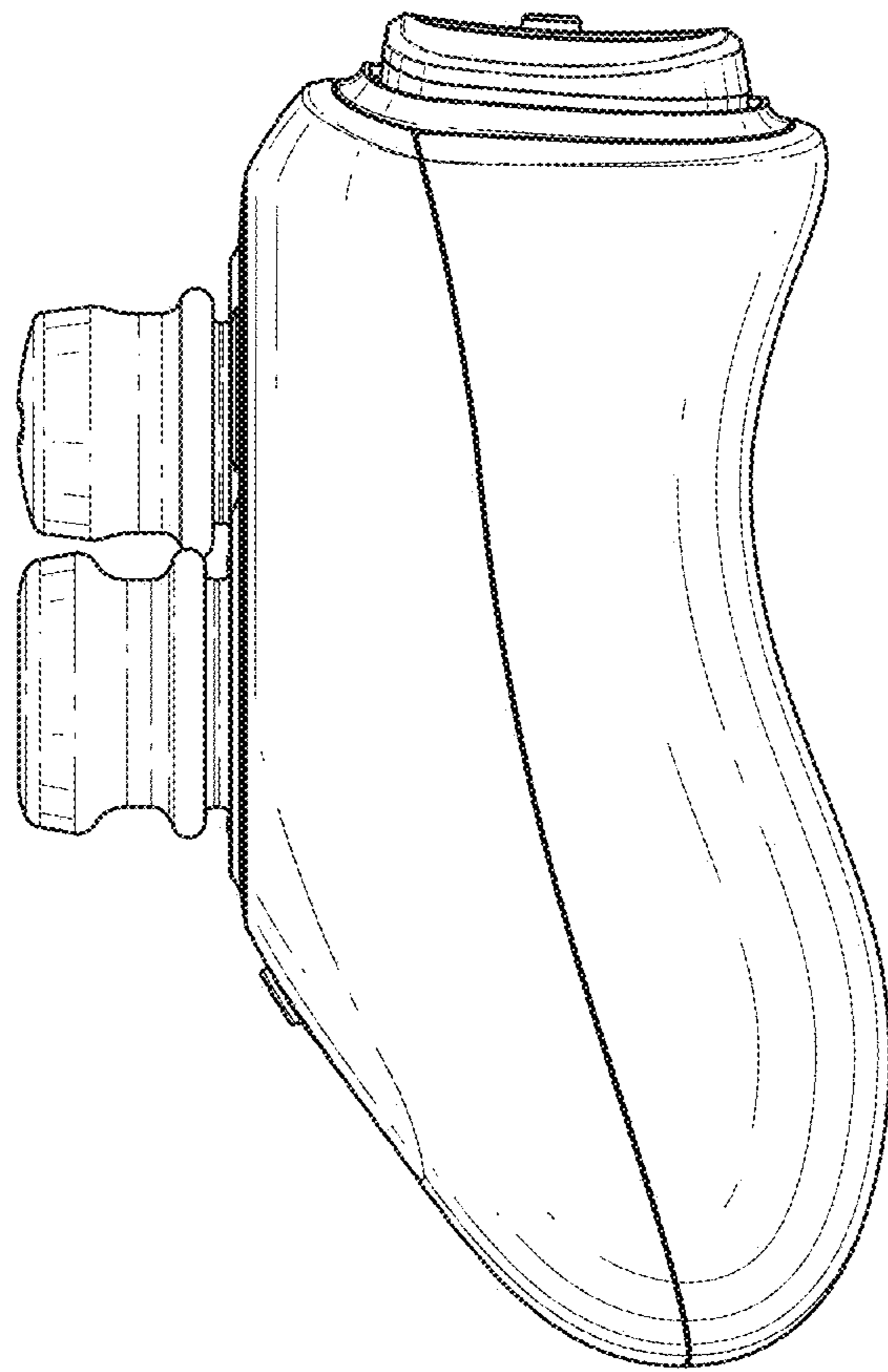


FIG. 12

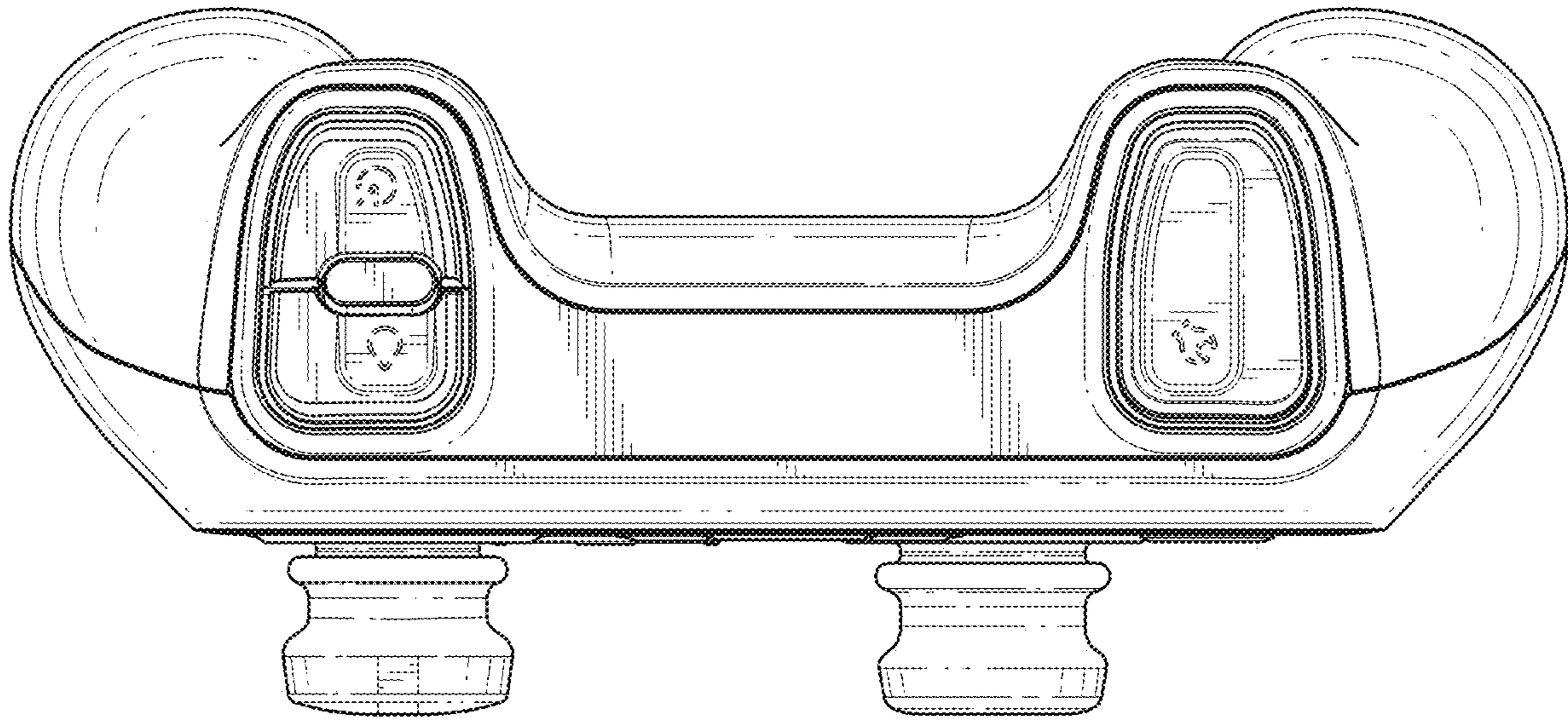


FIG. 13

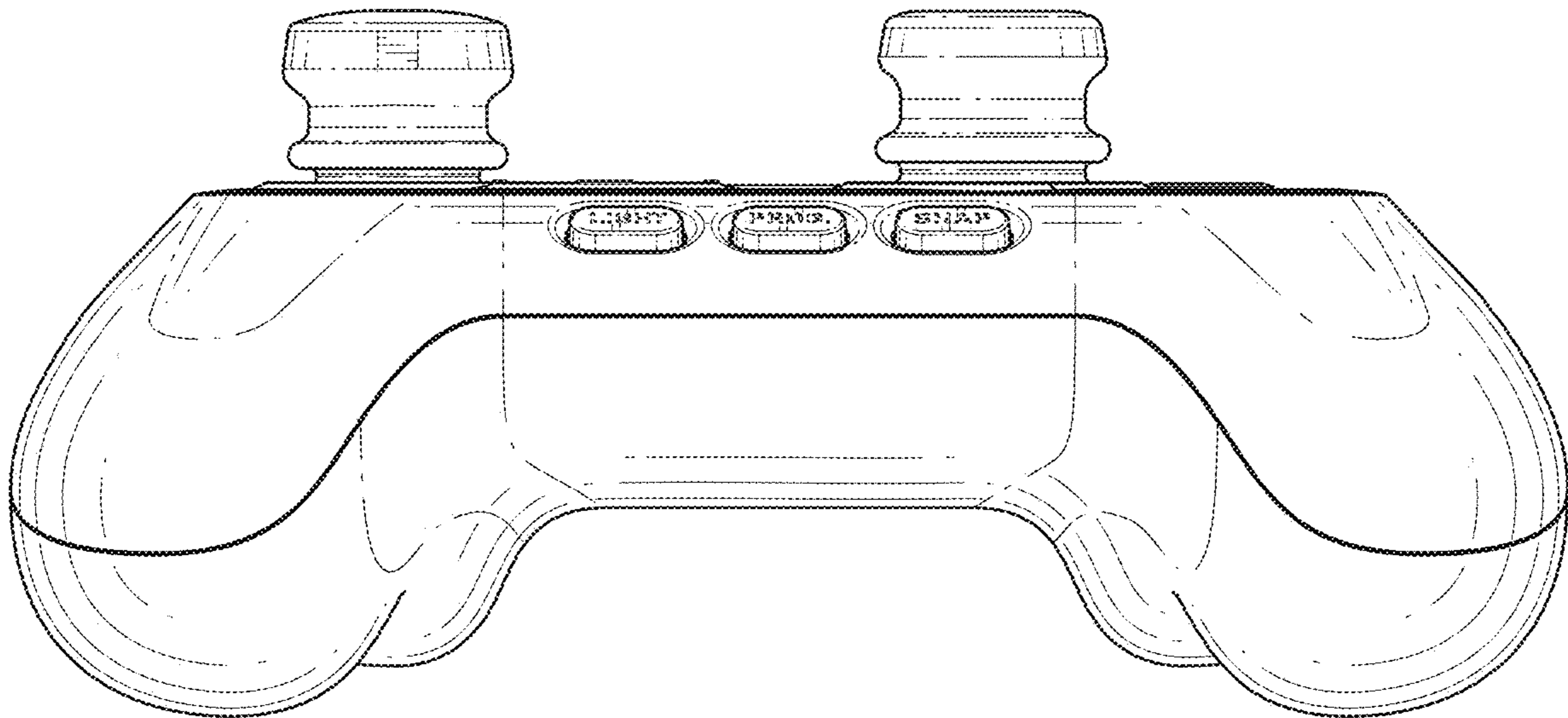


FIG. 14