



US00D901017S

(12) **United States Design Patent**
Moon

(10) **Patent No.:** **US D901,017 S**

(45) **Date of Patent:** **** Nov. 3, 2020**

(54) **PALATAL EXPANSION APPLIANCE**

(71) Applicant: **Sung Chul Moon**, Seoul (KR)

(72) Inventor: **Sung Chul Moon**, Seoul (KR)

(**) Term: **15 Years**

(21) Appl. No.: **29/684,452**

(22) Filed: **Mar. 21, 2019**

(51) **LOC (12) Cl.** **24-02**

(52) **U.S. Cl.**
USPC **D24/180**

(58) **Field of Classification Search**
USPC D24/176–177, 180–182; 433/7
CPC A61C 7/02; A61C 7/10; A61C 7/08
See application file for complete search history.

(56) **References Cited**

U.S. PATENT DOCUMENTS

D308,095 S *	5/1990	Collins, Jr.	D24/180
D311,579 S *	10/1990	Collins, Jr.	D24/180
5,281,133 A *	1/1994	Farzin-Nia	A61C 7/10 433/7
5,439,377 A *	8/1995	Milanovich	A61C 7/10 433/7
7,780,445 B2 *	8/2010	Keles	A61C 7/10 433/18
7,837,465 B2 *	11/2010	Forster	A61C 7/10 433/7
8,821,156 B2 *	9/2014	Ehrenberger	A61C 7/10 433/18
9,642,679 B2 *	5/2017	Montalban	A61C 7/10
D799,041 S *	10/2017	Kim	D24/180
2007/0218416 A1 *	9/2007	Keles	A61C 7/10 433/7

2007/0275341 A1 *	11/2007	Hanks	A61C 7/10 433/7
2008/0171300 A1 *	7/2008	Forster	A61C 7/10 433/7
2010/0112507 A1 *	5/2010	Ehrenberger	A61C 7/10 433/7
2015/0024333 A1 *	1/2015	Montalban	A61C 7/10 433/7
2016/0008098 A1 *	1/2016	Dolfi	A61C 7/10 433/7
2017/0354482 A1 *	12/2017	Kim	A61C 7/10
2018/0368945 A1 *	12/2018	Moon	A61C 7/02

* cited by examiner

Primary Examiner — Wan Laymon

(74) *Attorney, Agent, or Firm* — Burriss Law, PLLC

(57) **CLAIM**

The ornamental design for a palatal expansion appliance, as shown and described.

DESCRIPTION

FIG. 1 is a top perspective view of a palatal expansion appliance illustrating an embodiment of my new design; FIG. 2 is a bottom perspective view thereof; FIG. 3 is a front view thereof; FIG. 4 is a rear view thereof; FIG. 5 is a left side view thereof; FIG. 6 is a right side view thereof; FIG. 7 is a top plan view thereof; FIG. 8 is a bottom plan view thereof; and, FIG. 9 depicts the alternate position thereof. The contrast in shading (line shading) represents a contrast in appearance only and does not represent any particular color, material, texture, or finish.

1 Claim, 9 Drawing Sheets

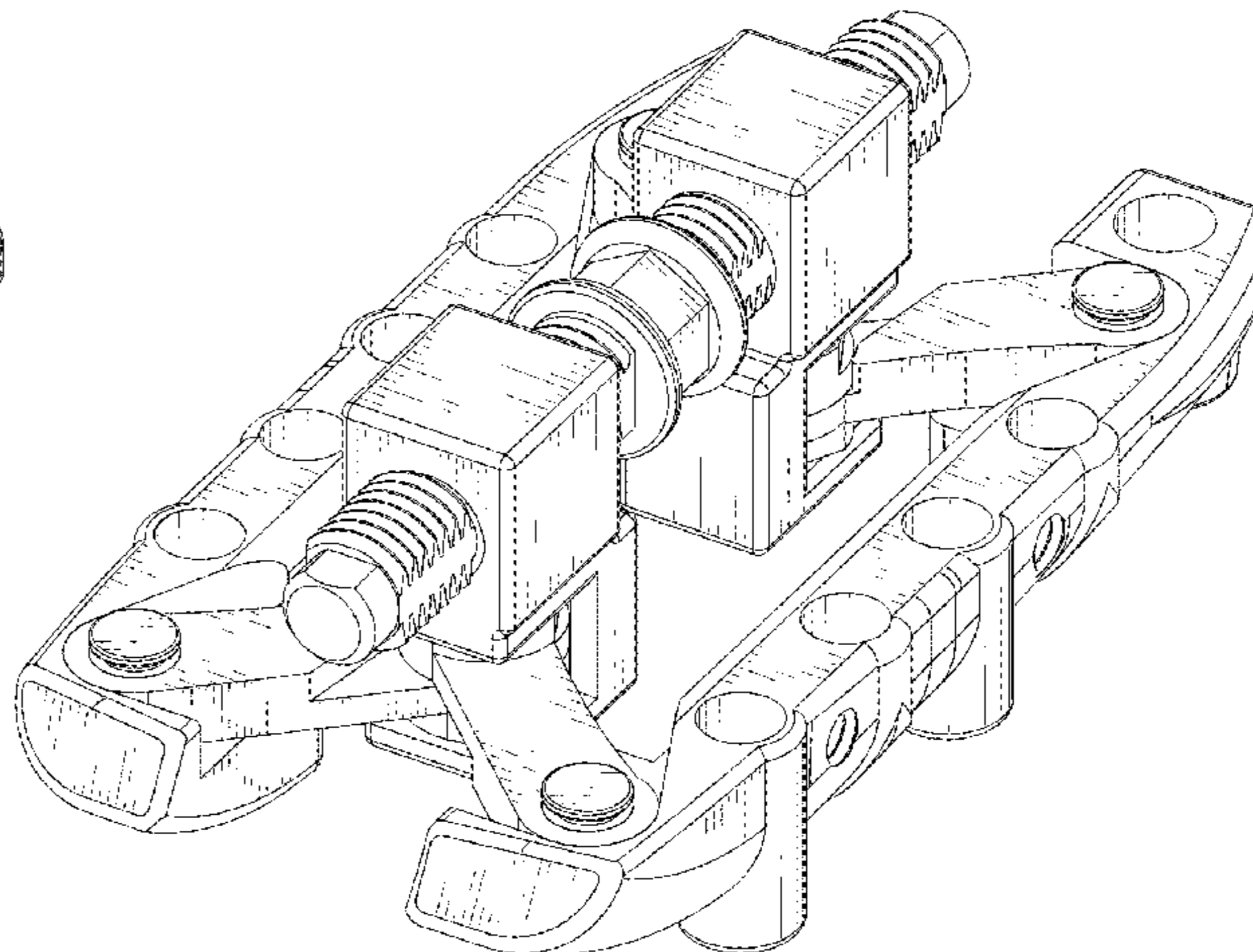
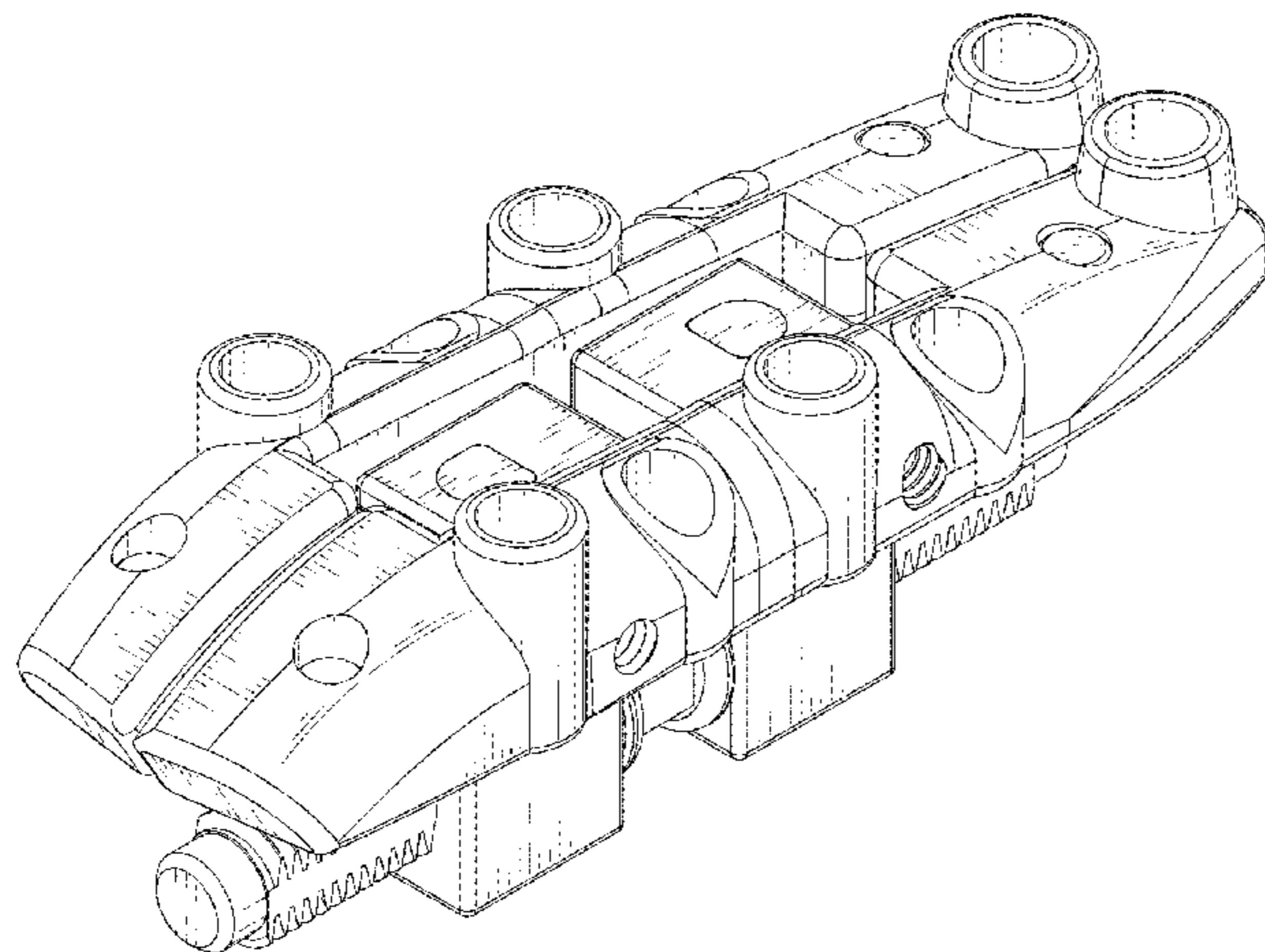


FIG. 1

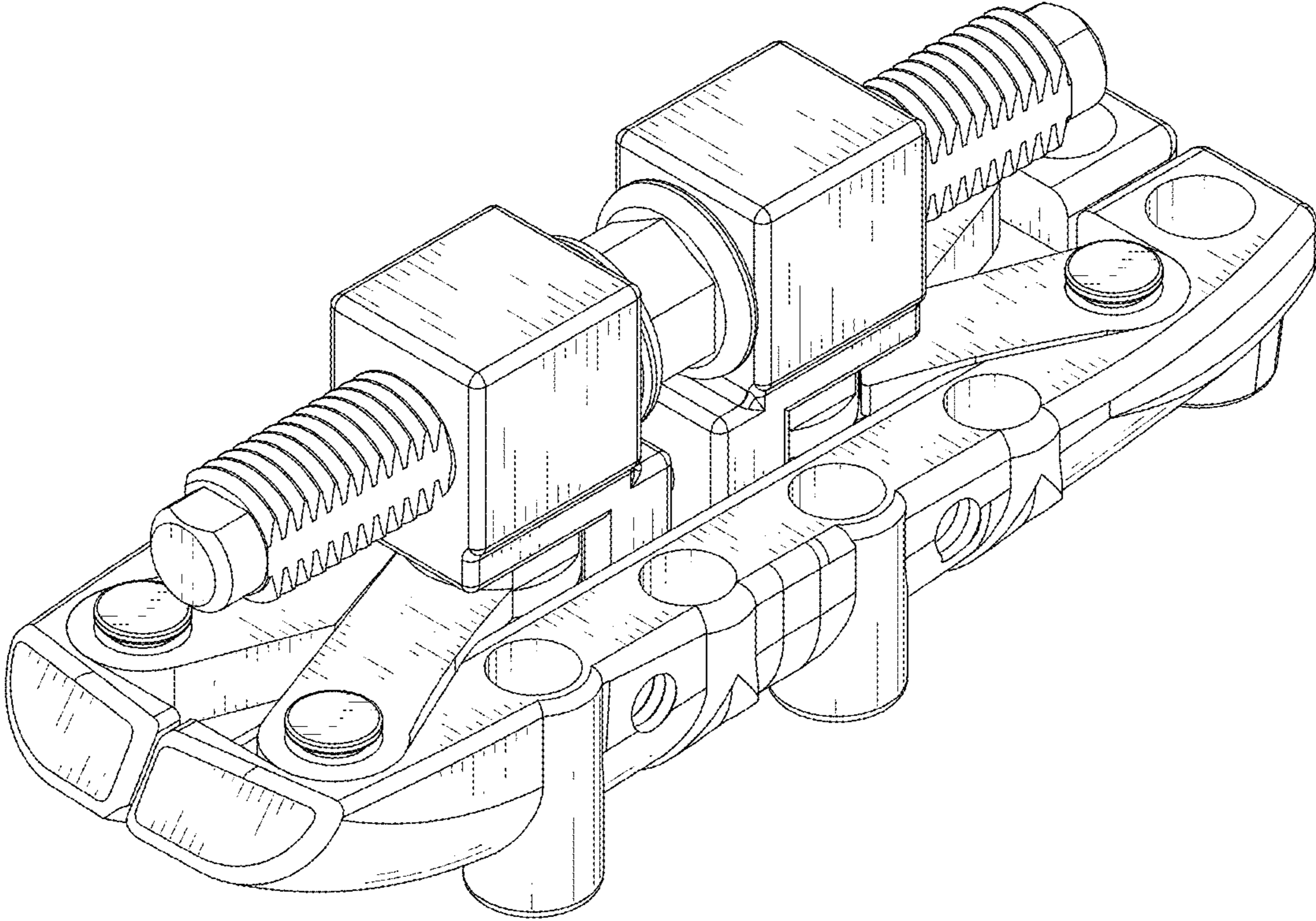


FIG. 2

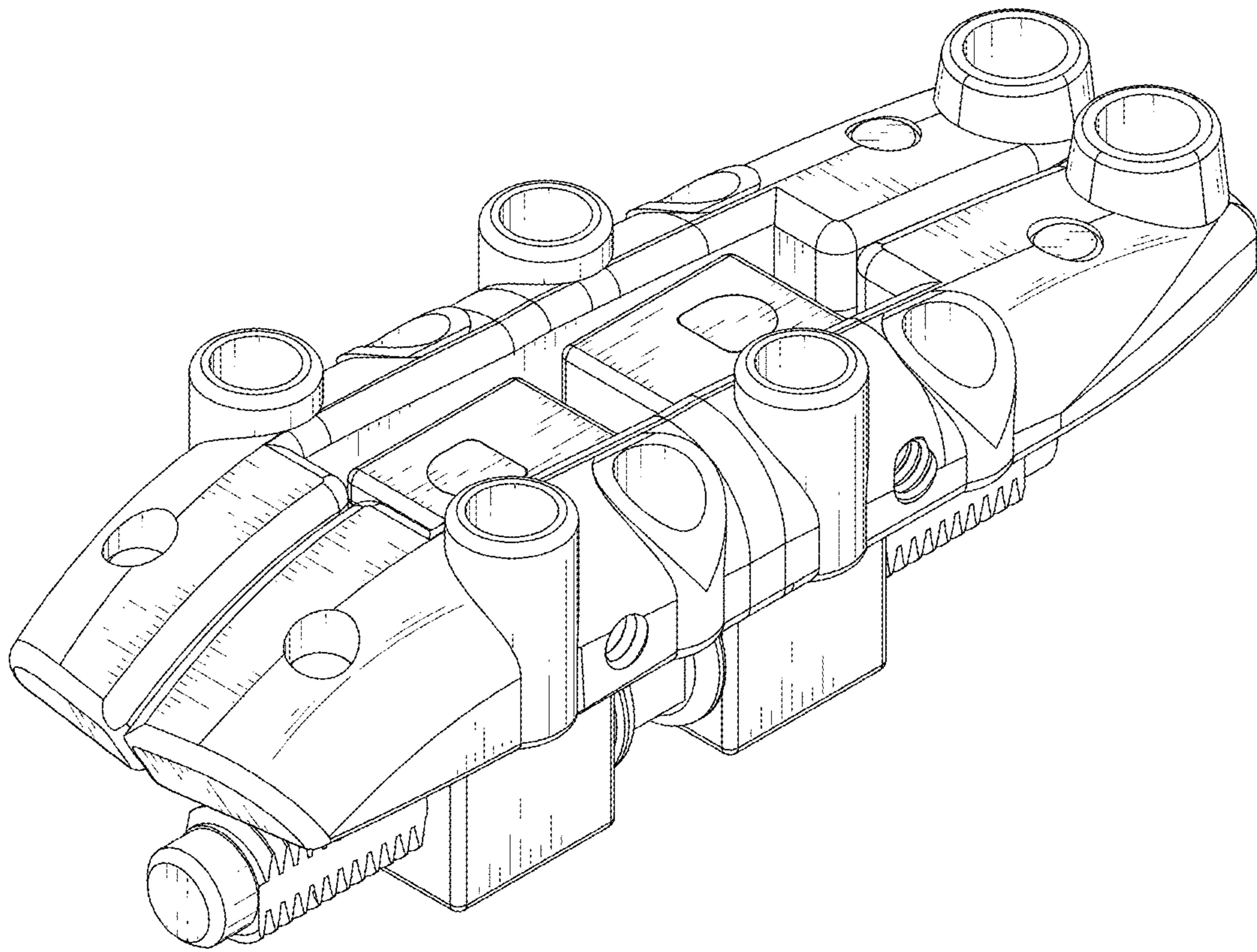


FIG. 3

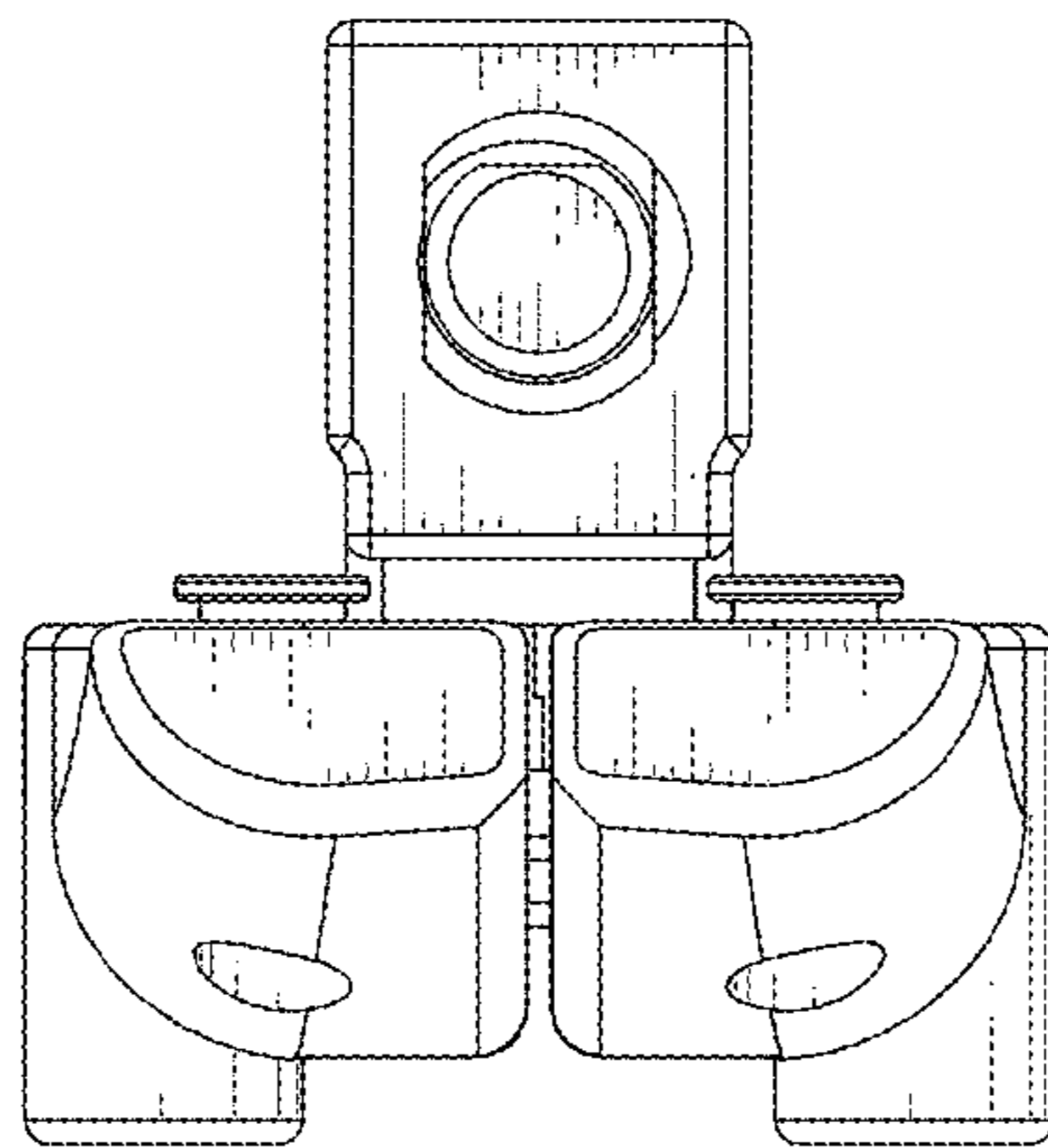


FIG. 4

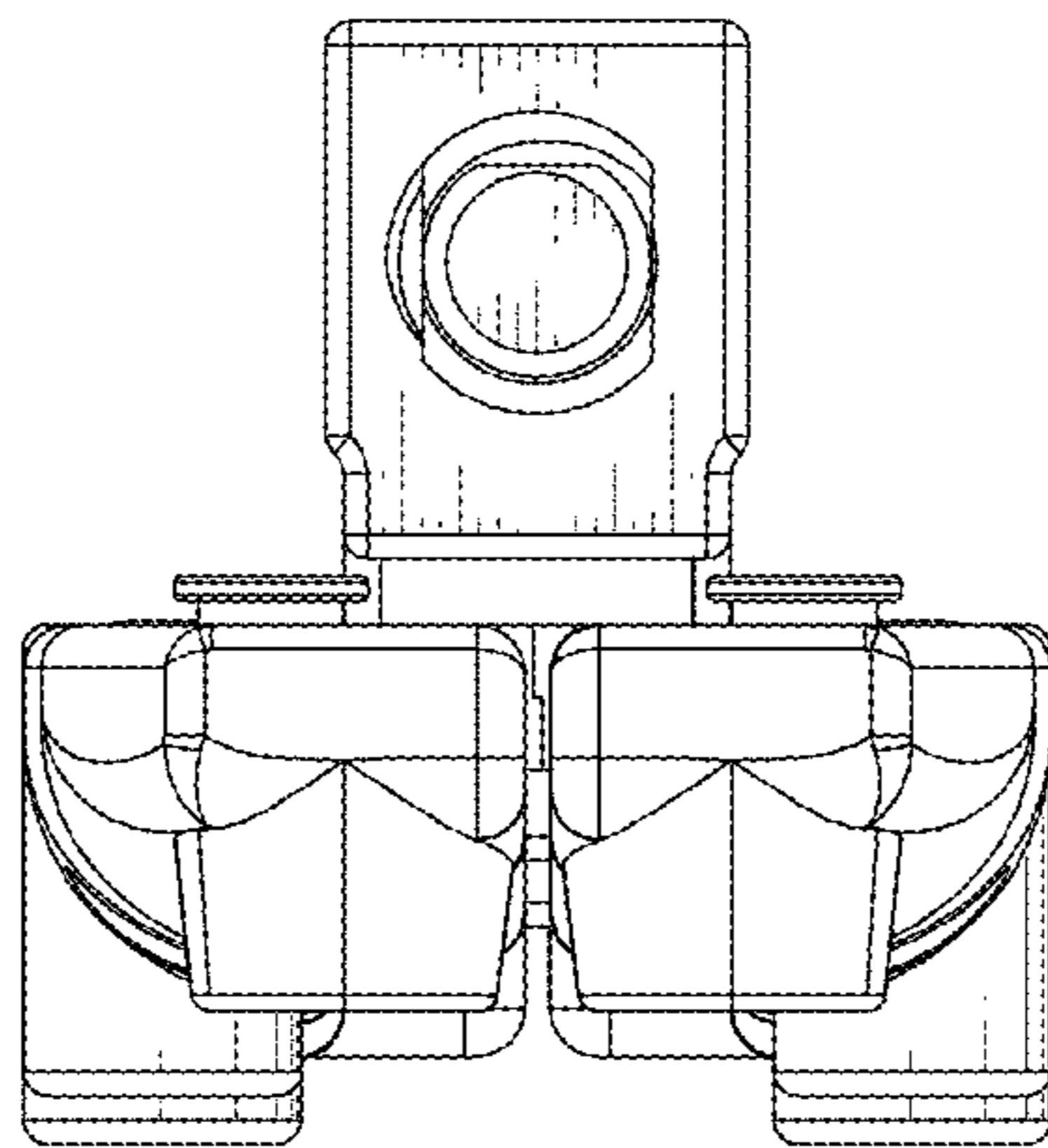


FIG. 5

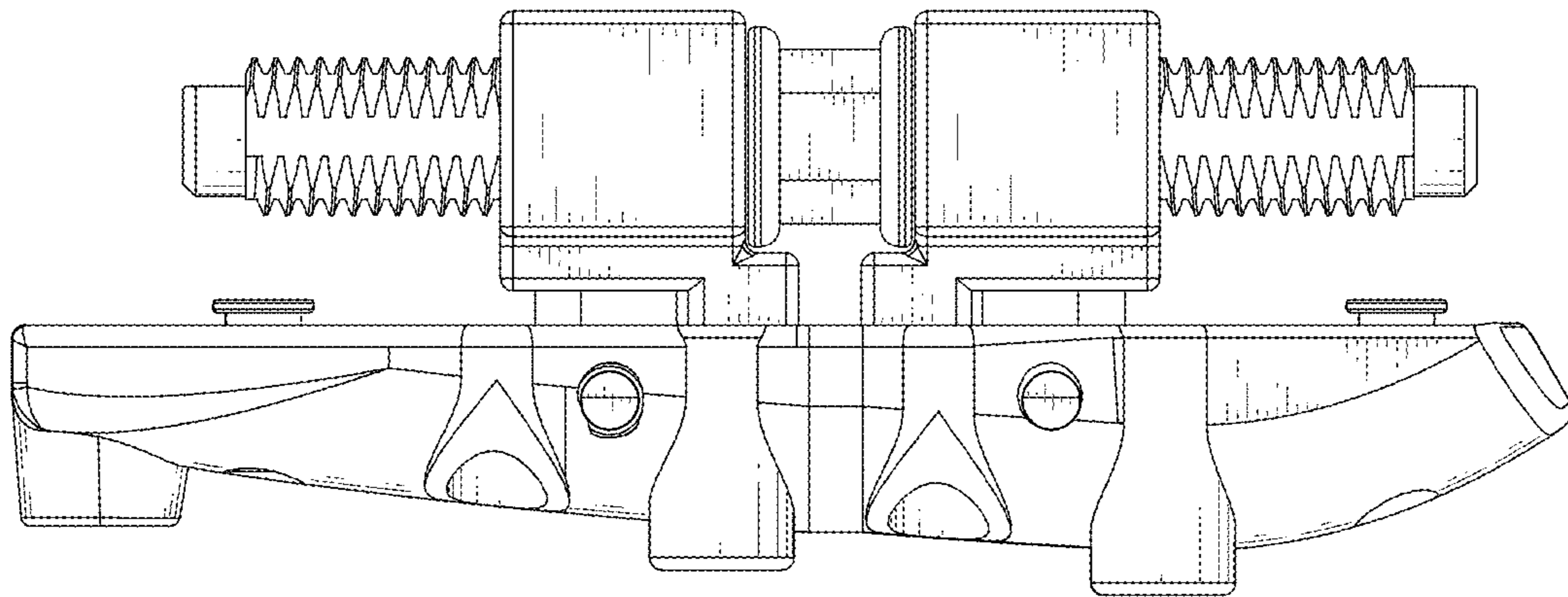


FIG. 6

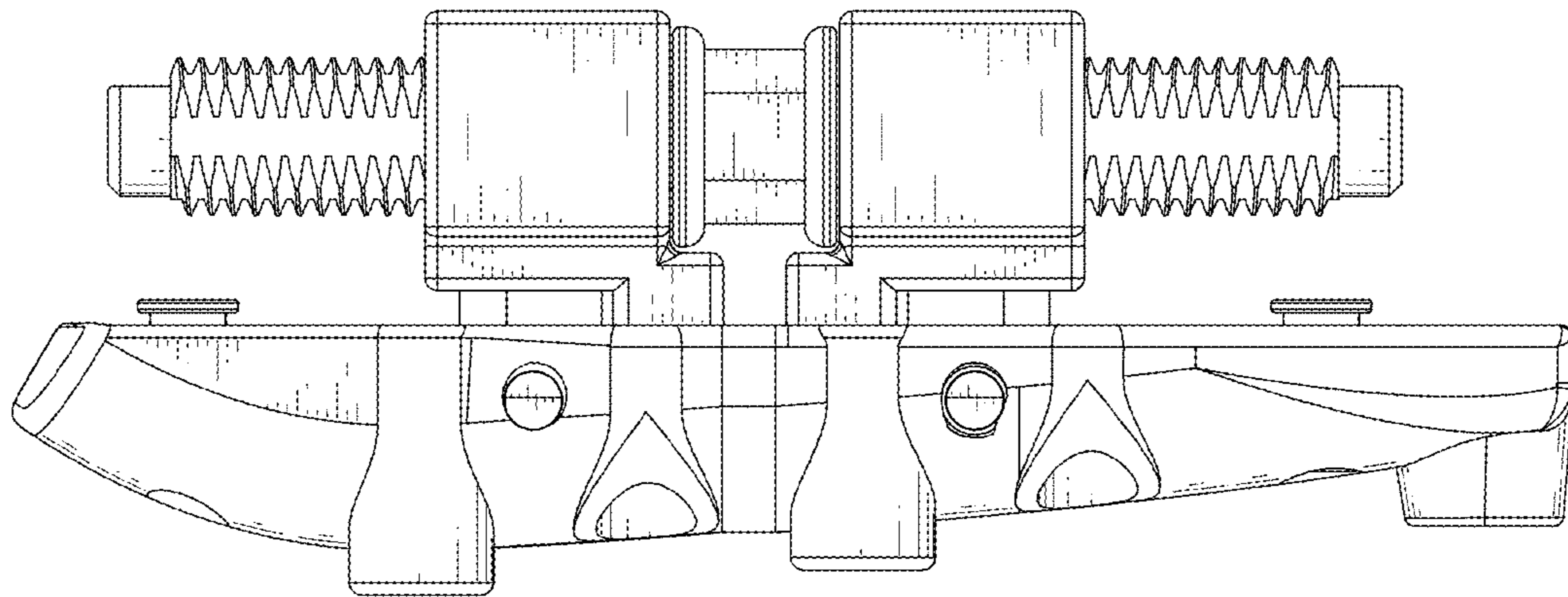


FIG. 7

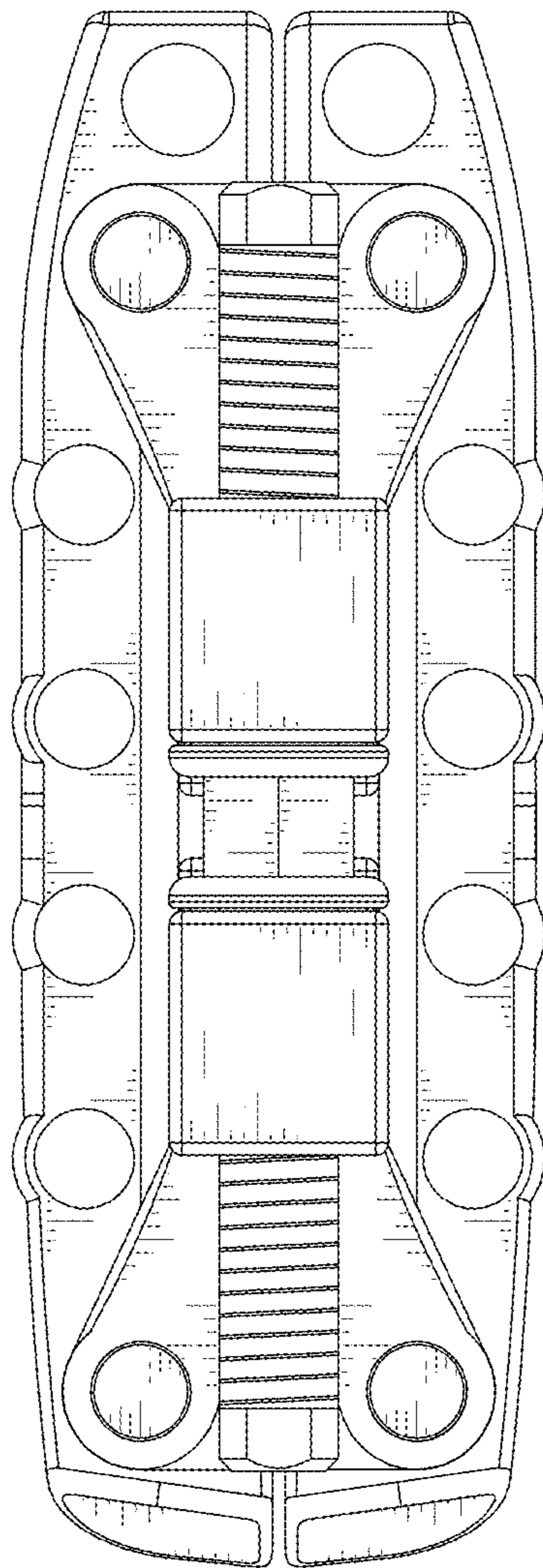


FIG. 8

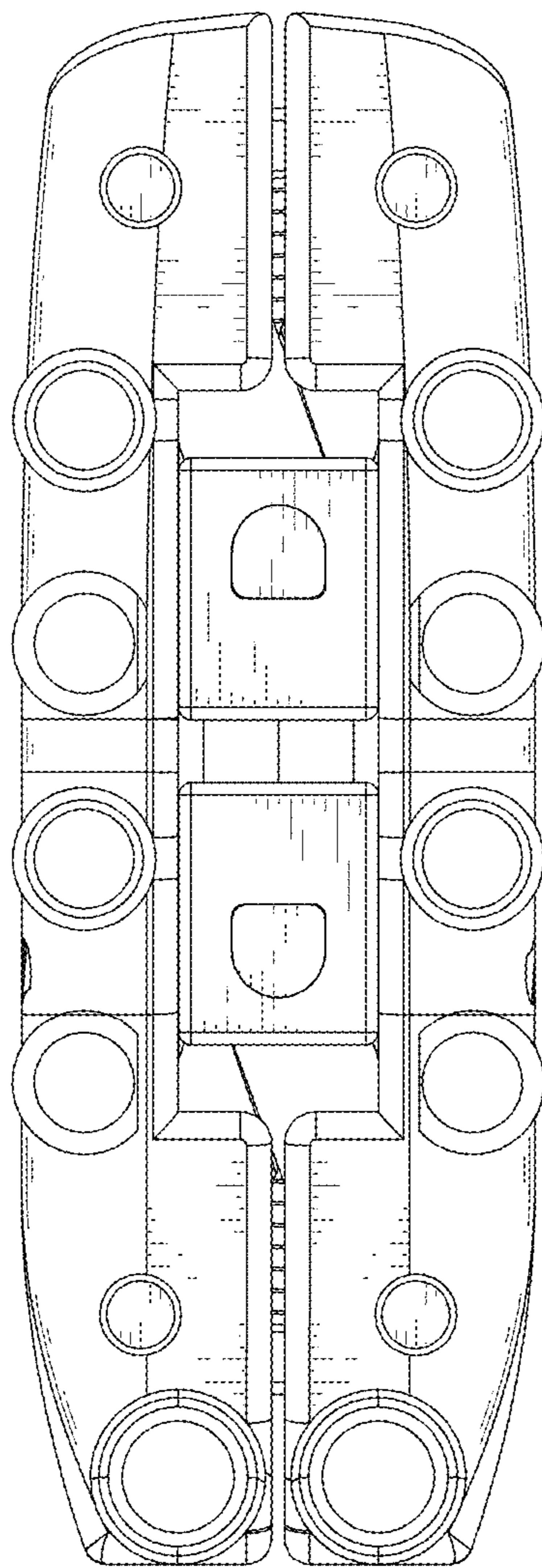


FIG. 9

