



US00D901016S

(12) **United States Design Patent**  
**Park et al.**

(10) **Patent No.:** **US D901,016 S**  
(45) **Date of Patent:** **\*\* Nov. 3, 2020**

- (54) **VISION TRAINING DEVICE**
- (71) Applicant: **EDENLUX Corp.**, Changwon-si, Gyeongsangnam-do (KR)
- (72) Inventors: **Sung Yong Park**, Busan (KR); **Kyung Hyun Noh**, Busan (KR)
- (73) Assignee: **EDENLUX Corp.**, Changwon-si, Gyeongsangnam-do (KR)
- (\*\*) Term: **15 Years**
- (21) Appl. No.: **29/678,747**
- (22) Filed: **Jan. 30, 2019**
- (30) **Foreign Application Priority Data**

D375,495 S *	11/1996	MacIness	.....	D14/372
D389,826 S *	1/1998	Cousins	.....	D14/135
D431,585 S *	10/2000	Vance	.....	D16/300
6,236,505 B1 *	5/2001	Fleck	.....	G02B 23/18 359/407
D470,880 S *	2/2003	Sakai	.....	D16/303
D476,347 S *	6/2003	Fujii	.....	D16/133
D543,571 S *	5/2007	Love	.....	D16/312
D688,294 S *	8/2013	Roy	.....	D16/309
D725,175 S *	3/2015	Wang-Lee	.....	D16/312
D800,314 S *	10/2017	Kimura	.....	D24/172
D806,318 S *	12/2017	Yang	.....	D29/110
D812,127 S *	3/2018	Seo	.....	D16/312
D840,396 S *	2/2019	Zhou	.....	D14/372
D847,346 S *	4/2019	Noordzij	.....	D24/172
D851,153 S *	6/2019	Chen	.....	D16/133
D861,773 S *	10/2019	Seo	.....	D16/313
D862,464 S *	10/2019	Natsume	.....	D14/372
D873,900 S *	1/2020	Hedayat	.....	D16/312
D876,530 S *	2/2020	Wu	.....	D16/312
2008/0276356 A1 *	11/2008	Lee	.....	A61F 9/028 2/436

Aug. 9, 2018 (KR) ..... 30-2018-0037027

- (51) **LOC (12) Cl.** ..... **24-02**
- (52) **U.S. Cl.**  
USPC ..... **D24/172; D16/312**
- (58) **Field of Classification Search**  
USPC ..... D24/172, 135, 106; D14/372, 135;  
D16/133, 309, 312, 313, 303, 300, 130;  
D29/110  
CPC . G02C 7/16; G02B 23/18; A61F 9/025; A61F  
9/028; A61F 9/061  
See application file for complete search history.

(56) **References Cited**  
U.S. PATENT DOCUMENTS

D188,394 S *	7/1960	Sorenson	.....	D24/172
3,016,542 A *	1/1962	Lindblom	.....	A61F 9/061 2/432
3,056,140 A *	10/1962	Lindblom	.....	A61F 9/025 2/434
4,059,347 A *	11/1977	Eitel	.....	G02C 7/16 359/894
D352,046 S *	11/1994	Kataoka	.....	D16/130

\* cited by examiner

*Primary Examiner* — Rhea Shields  
(74) *Attorney, Agent, or Firm* — Revolution IP, PLLC

(57) **CLAIM**

The ornamental design for a vision training device, as shown.

**DESCRIPTION**

FIG. 1 is a front perspective view of a vision training device showing the claimed design;  
FIG. 2 is a front view thereof;  
FIG. 3 is a rear view thereof;  
FIG. 4 is a left side view thereof;  
FIG. 5 is a right side view thereof;  
FIG. 6 is a top view thereof;  
FIG. 7 is a bottom view thereof; and,  
FIG. 8 is a rear perspective view thereof.

**1 Claim, 5 Drawing Sheets**

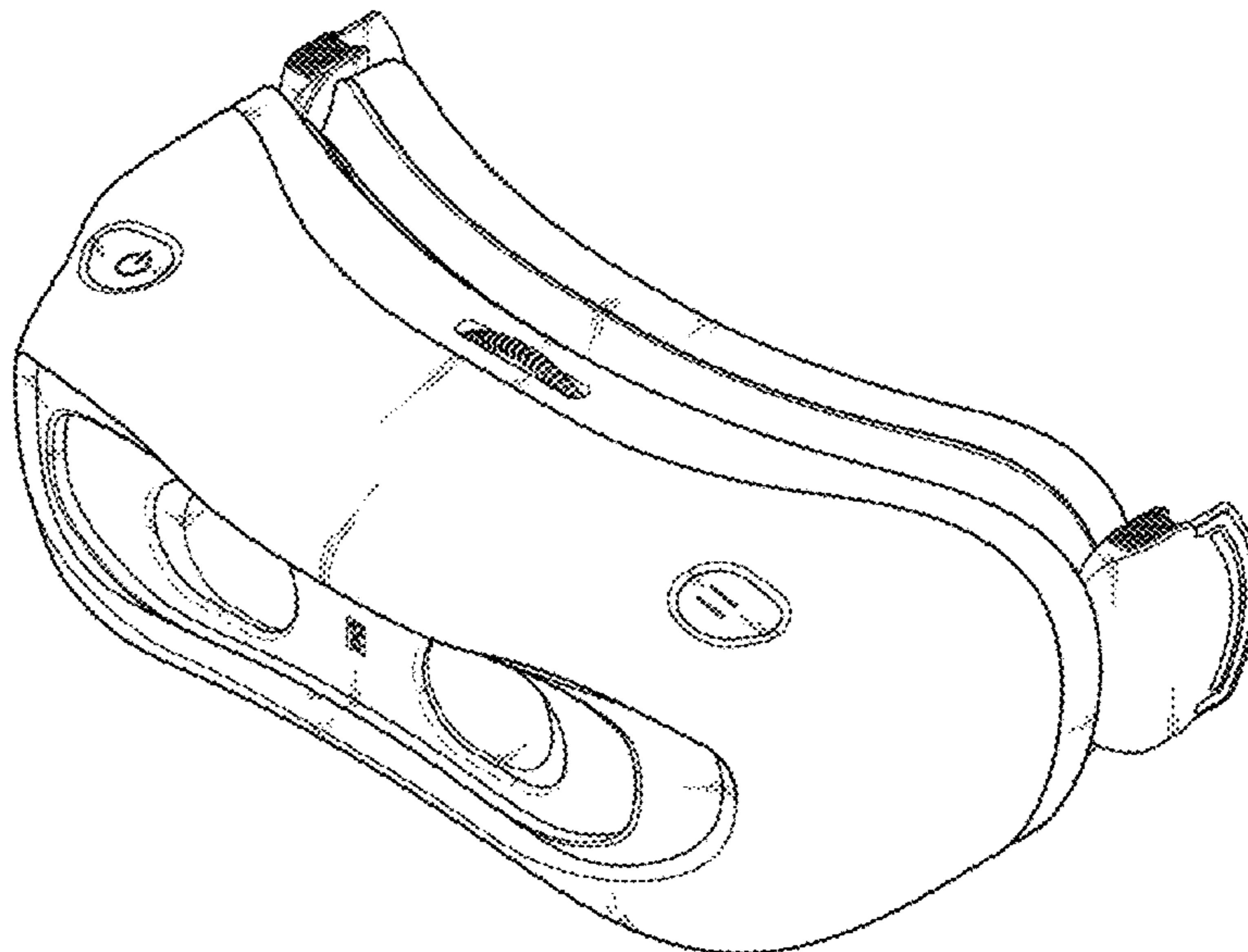


FIG. 1

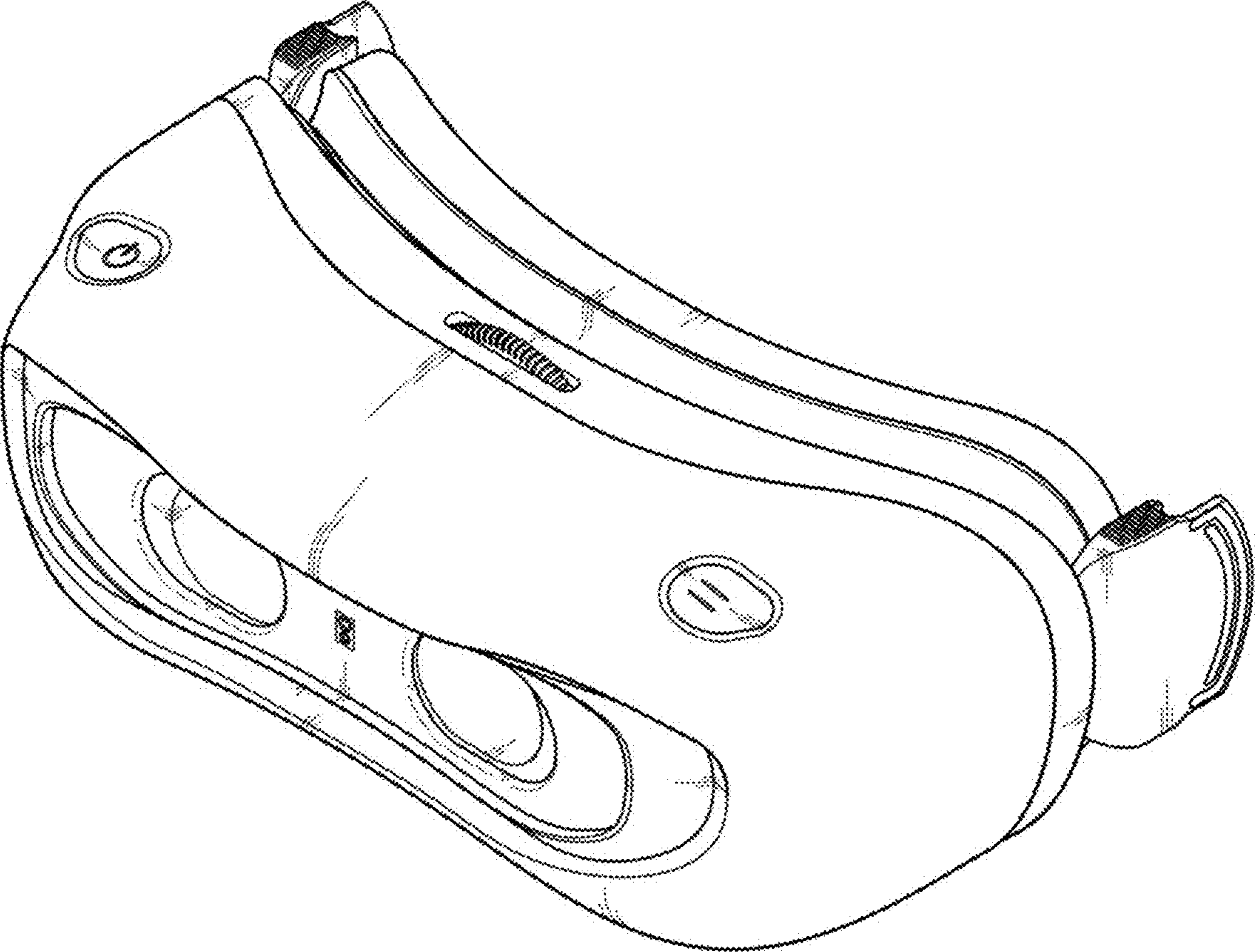


FIG. 2

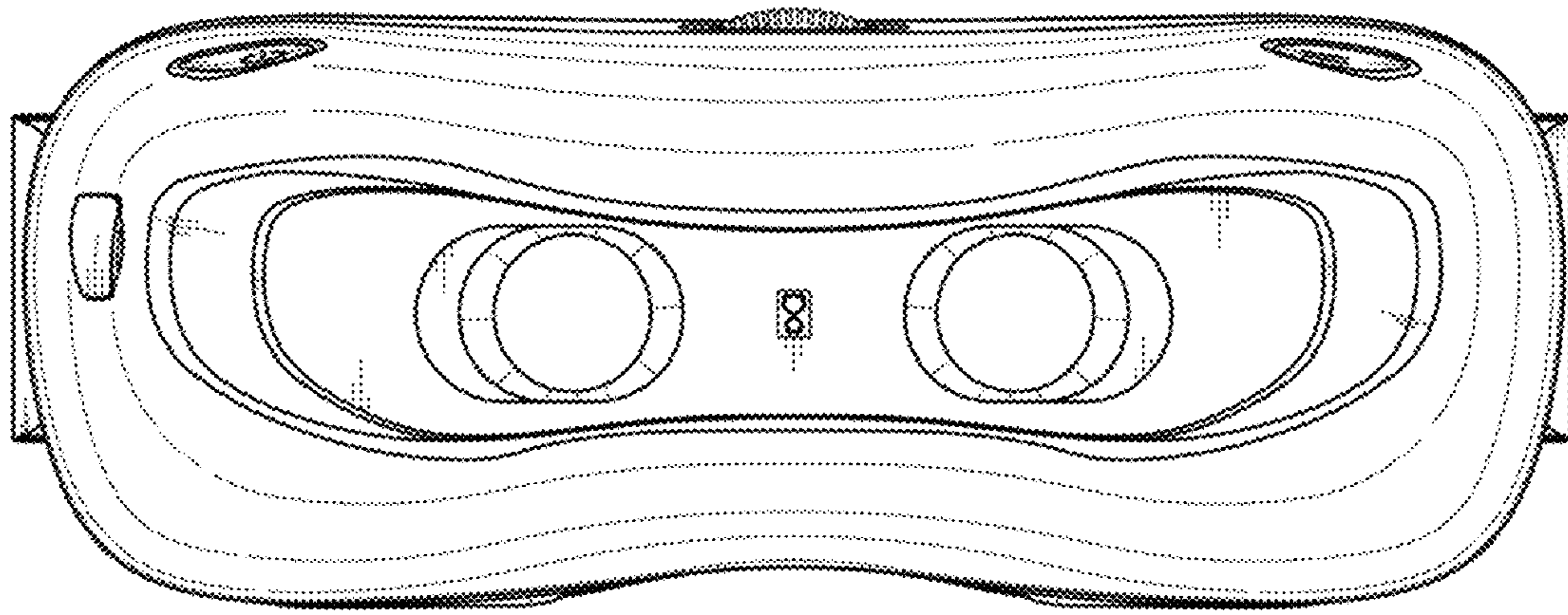


FIG. 3

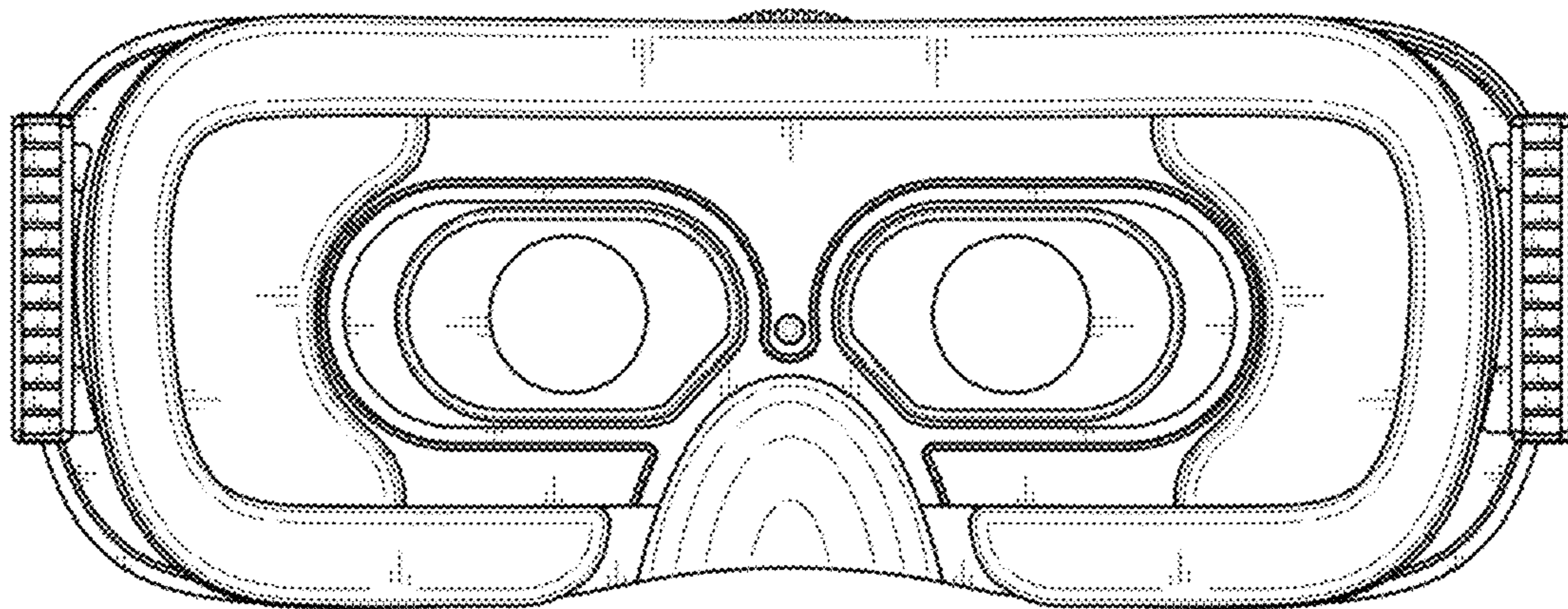


FIG. 4

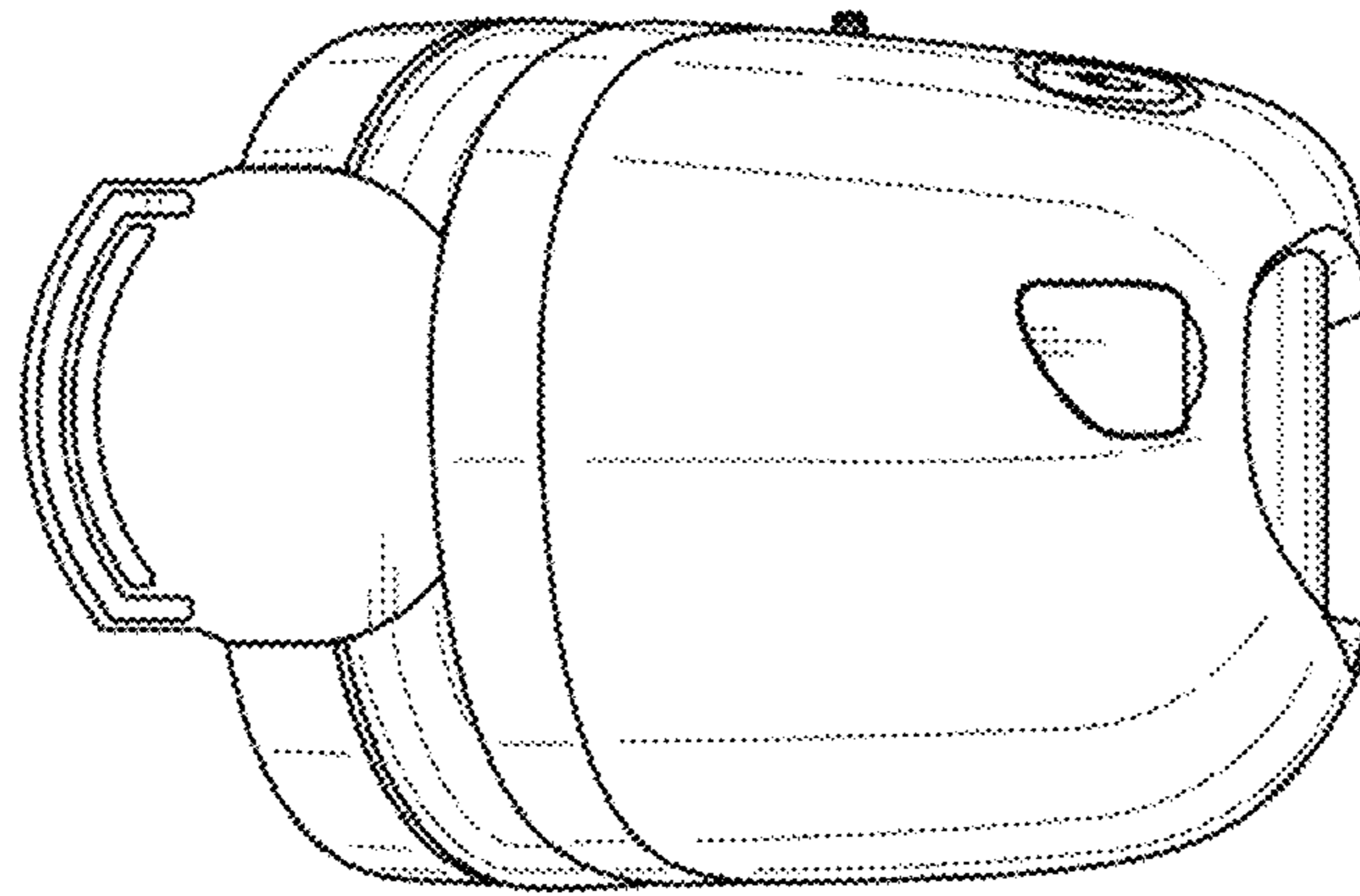


FIG. 5

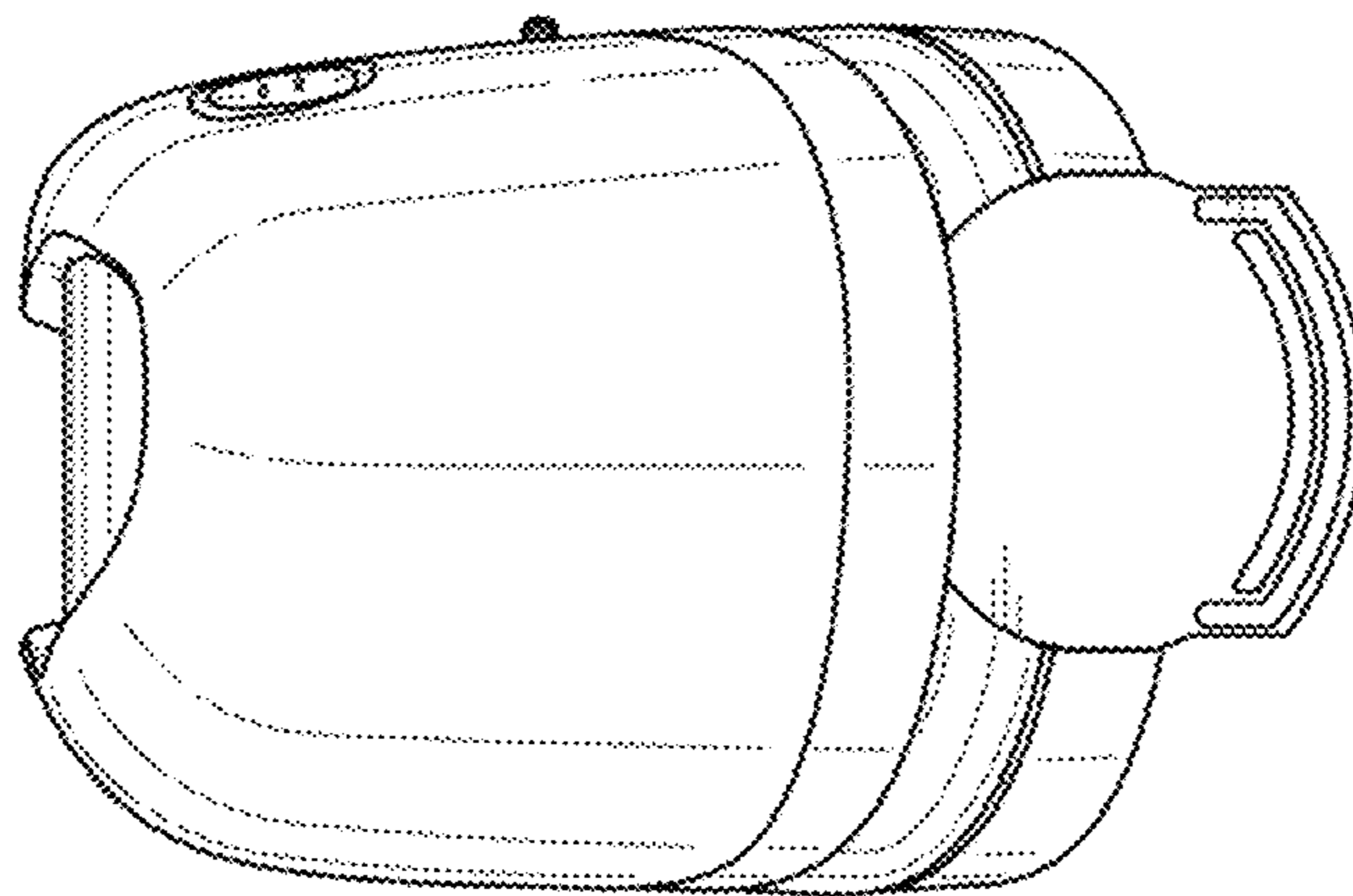


FIG. 6

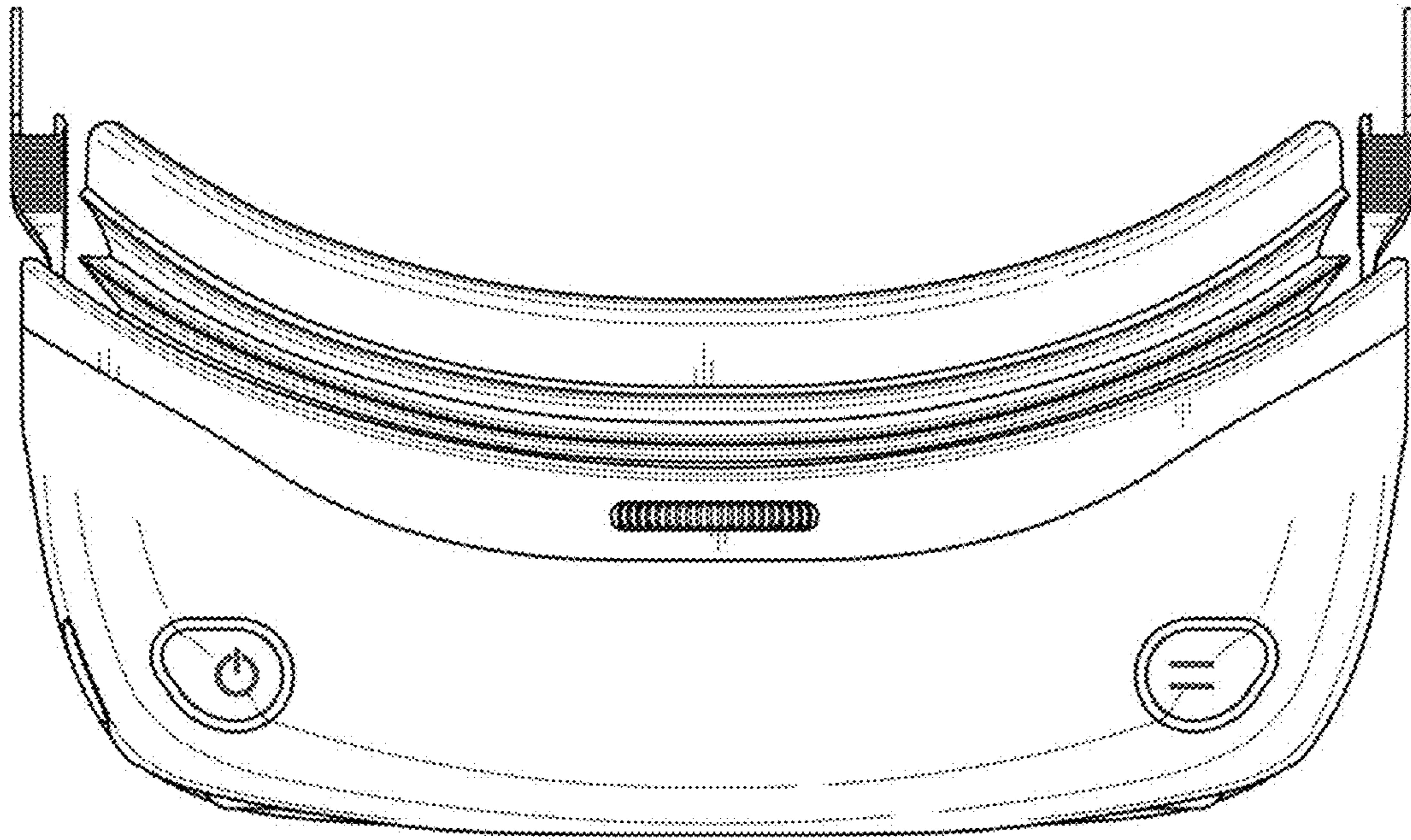


FIG. 7

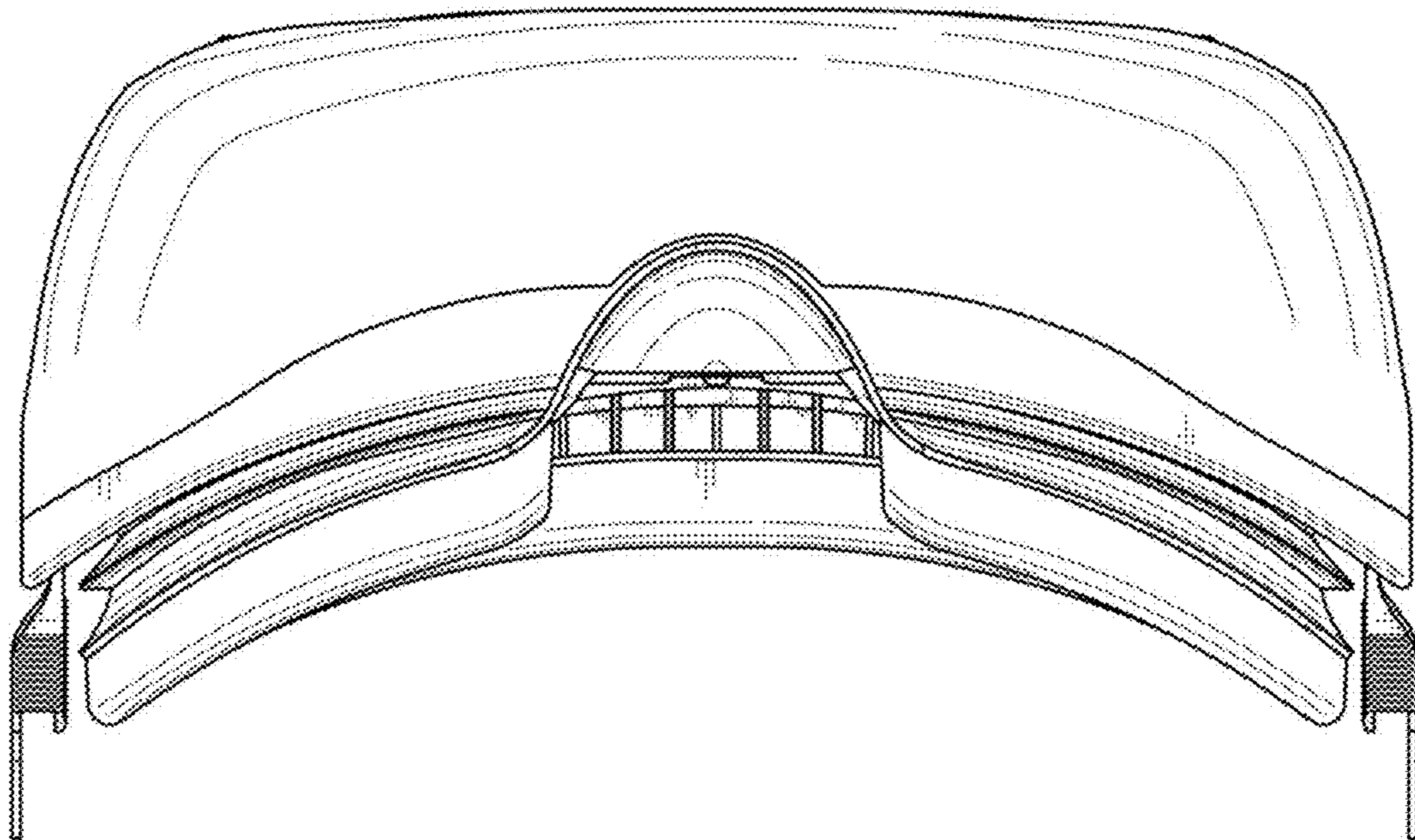


FIG. 8

