



US00D901015S

(12) **United States Design Patent** (10) **Patent No.:** **US D901,015 S**  
**Zhuang** (45) **Date of Patent:** **\*\* Nov. 3, 2020**

(54) **TRAINING STATION FOR USE IN THE FIELD OF PHYSIOTHERAPY**

(71) Applicant: **KONINKLIJKE PHILIPS N.V.**,  
Eindhoven (NL)

(72) Inventor: **Yan Zhuang**, Eindhoven (NL)

(73) Assignee: **KONINKLIJKE PHILIPS N.V.**,  
Eindhoven (NL)

(\*\*) Term: **15 Years**

(21) Appl. No.: **29/676,705**

(22) Filed: **Jan. 14, 2019**

**Related U.S. Application Data**

(62) Division of application No. 35/501,010, filed on Sep. 1, 2015 (U.S. filing date under 35 U.S.C. 384), and having an international filing date of Sep. 1, 2015, now Pat. No. Des. 838,371.

**Foreign Application Priority Data**

Mar. 27, 2015 (EM) ..... 002670117-0002

(51) **LOC (12) Cl.** ..... **24-01**

(52) **U.S. Cl.**  
USPC ..... **D24/167**

(58) **Field of Classification Search**  
USPC ..... D24/107, 165-168, 186, 187; D10/75;  
D14/358, 388, 389  
CPC . A61B 5/0402; A61B 5/0408; A61B 5/02108;  
A61B 5/02405  
See application file for complete search history.

(56) **References Cited**

U.S. PATENT DOCUMENTS

D273,325 S *	4/1984	Macquignon .....	D24/167
D326,521 S *	5/1992	Sawada .....	D24/167
D362,750 S *	10/1995	Wendell .....	D3/215
D380,834 S *	7/1997	Mahoney .....	D24/165
D404,197 S *	1/1999	Dobbins .....	D3/218
D409,374 S *	5/1999	Laba .....	D3/215
D544,099 S *	6/2007	Umeda .....	D24/167
D616,549 S *	5/2010	Sudhir .....	D24/167
D723,263 S *	3/2015	Zhuang .....	D3/203.1
D724,220 S *	3/2015	Sun .....	D24/167
D782,683 S *	3/2017	Singh .....	D24/167

\* cited by examiner

*Primary Examiner* — Darlington Ly

(57) **CLAIM**

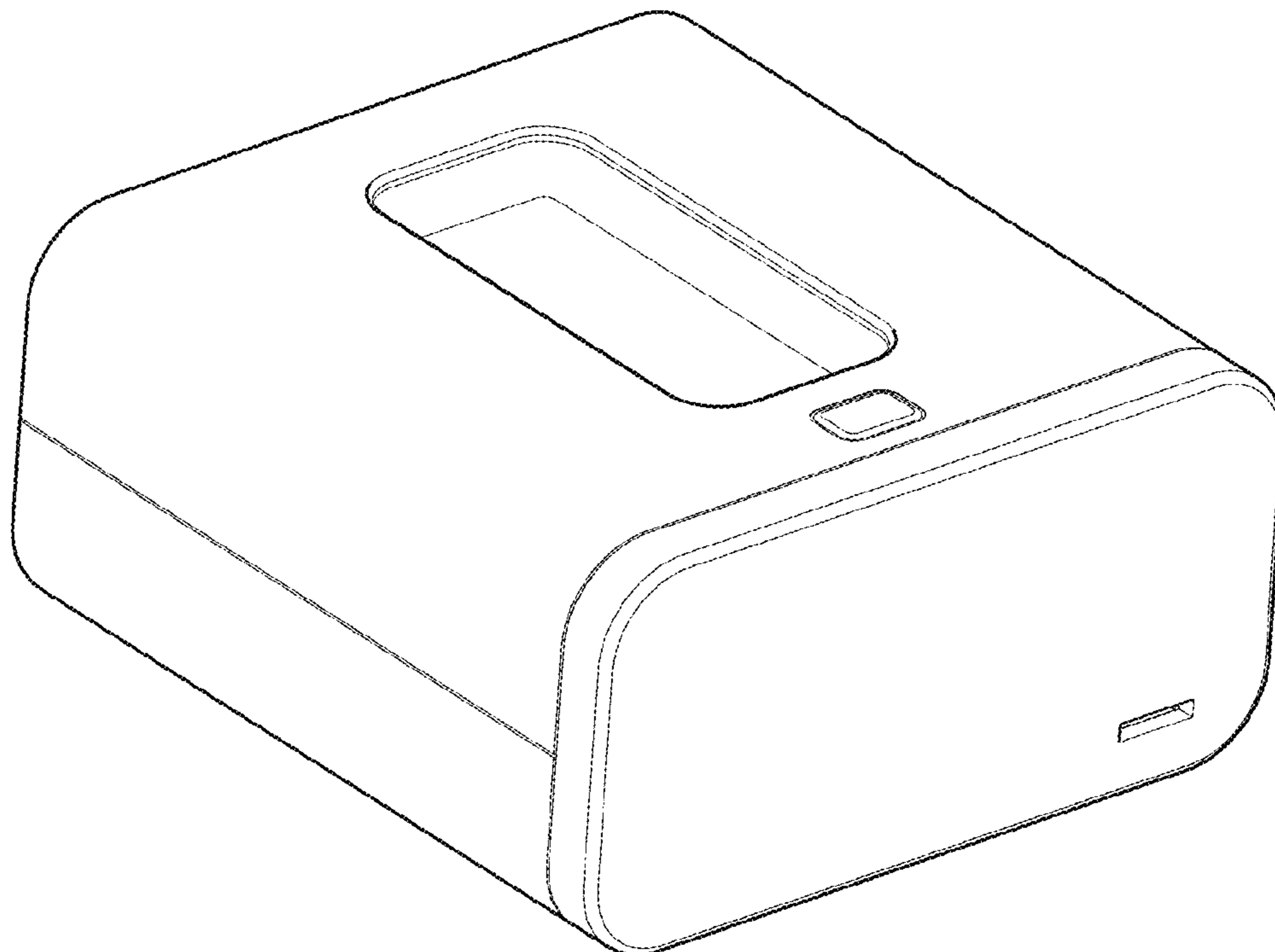
The ornamental design for a training station for use in the field of physiotherapy, as shown and described.

**DESCRIPTION**

FIG. 1 is a perspective view showing my design;  
FIG. 2 is a front elevational view thereof;  
FIG. 3 is a rear elevational view thereof;  
FIG. 4 is a right side elevational view thereof;  
FIG. 5 is a left side elevational view thereof;  
FIG. 6 is a top plan view thereof; and,  
FIG. 7 is a bottom plan view thereof.

The broken lines in the drawings illustrate portions of the training station for use in the field of physiotherapy that form no part of the claimed design.

**1 Claim, 4 Drawing Sheets**



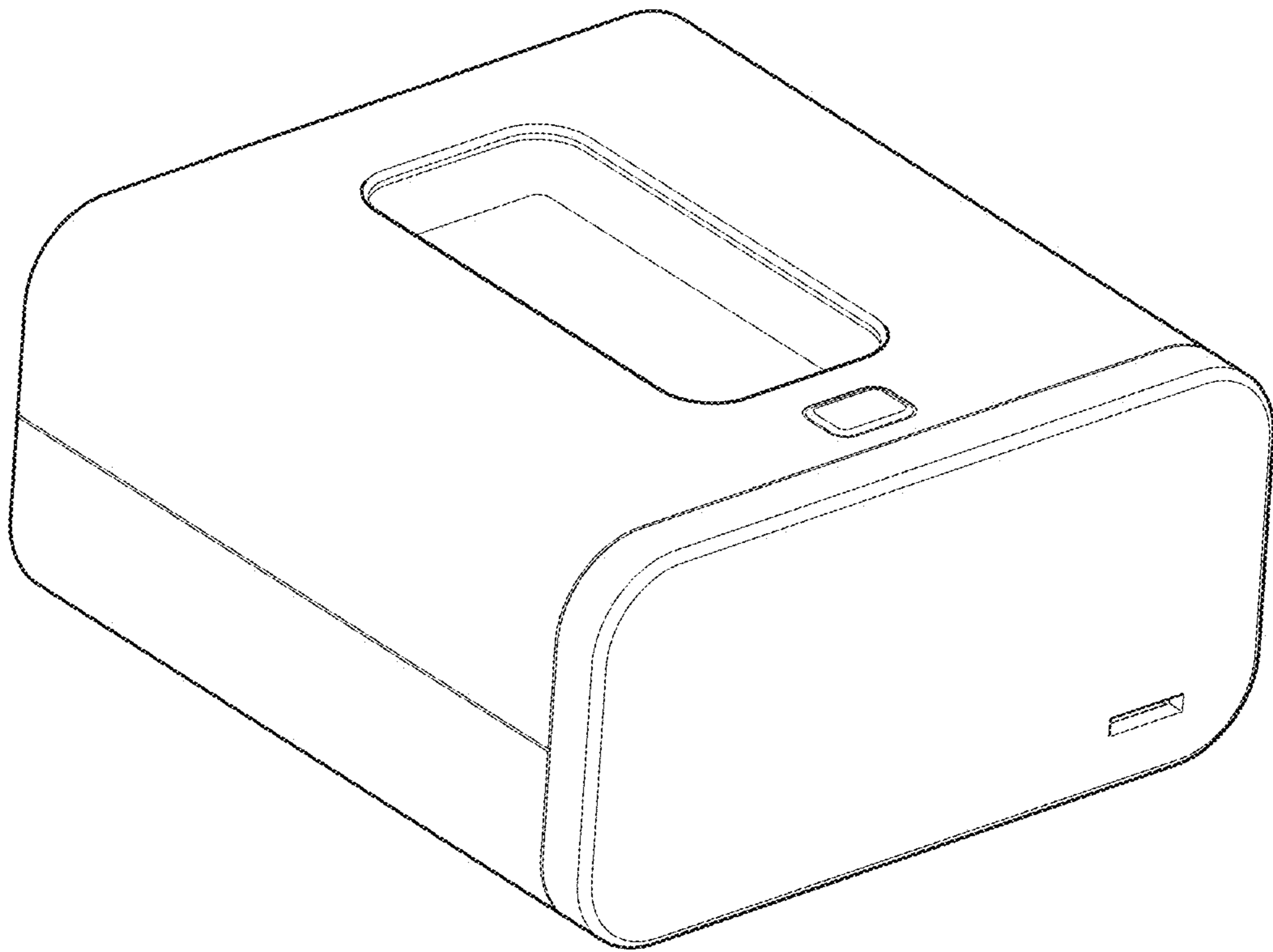


FIG. 1

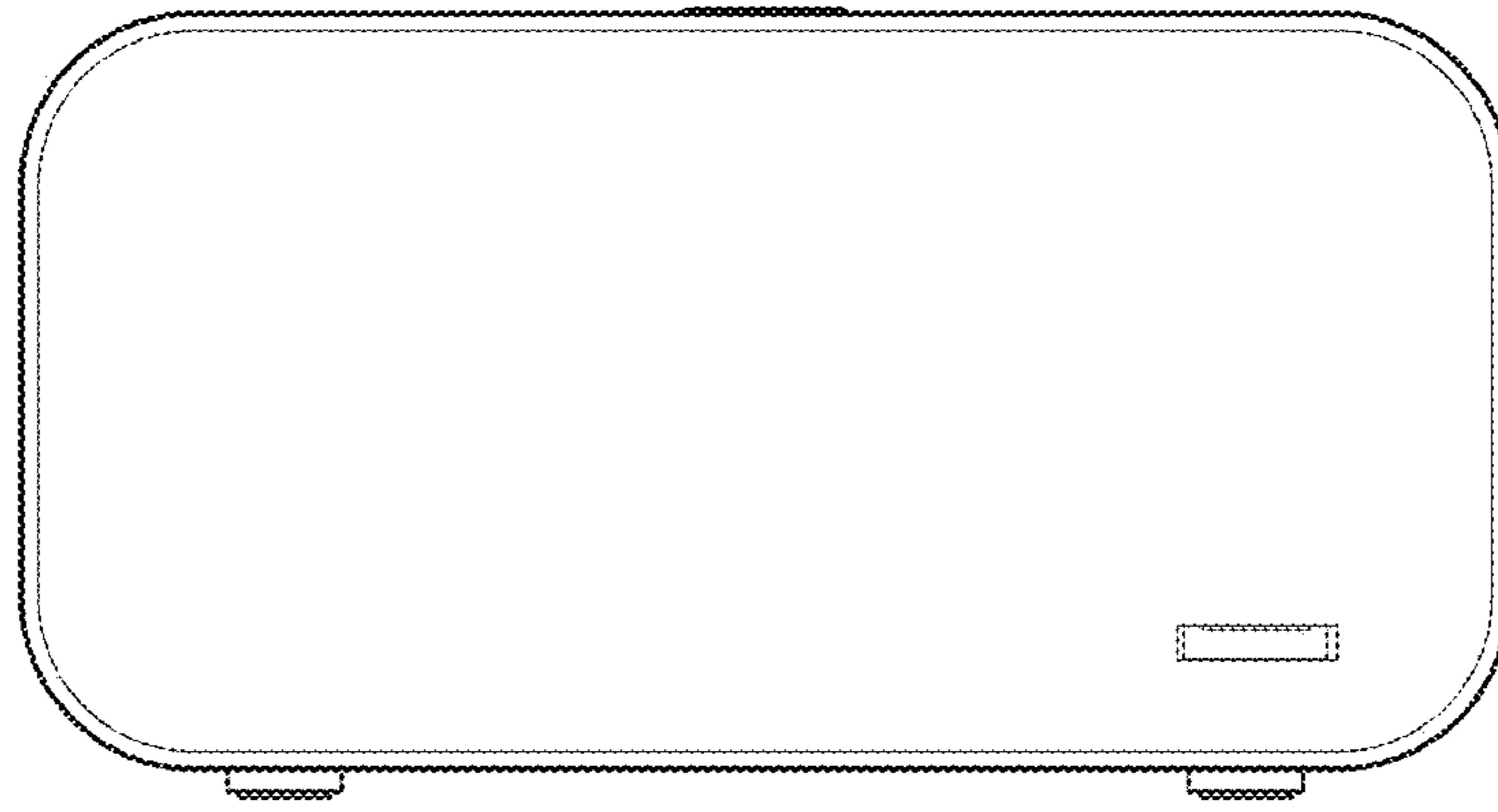


FIG. 2

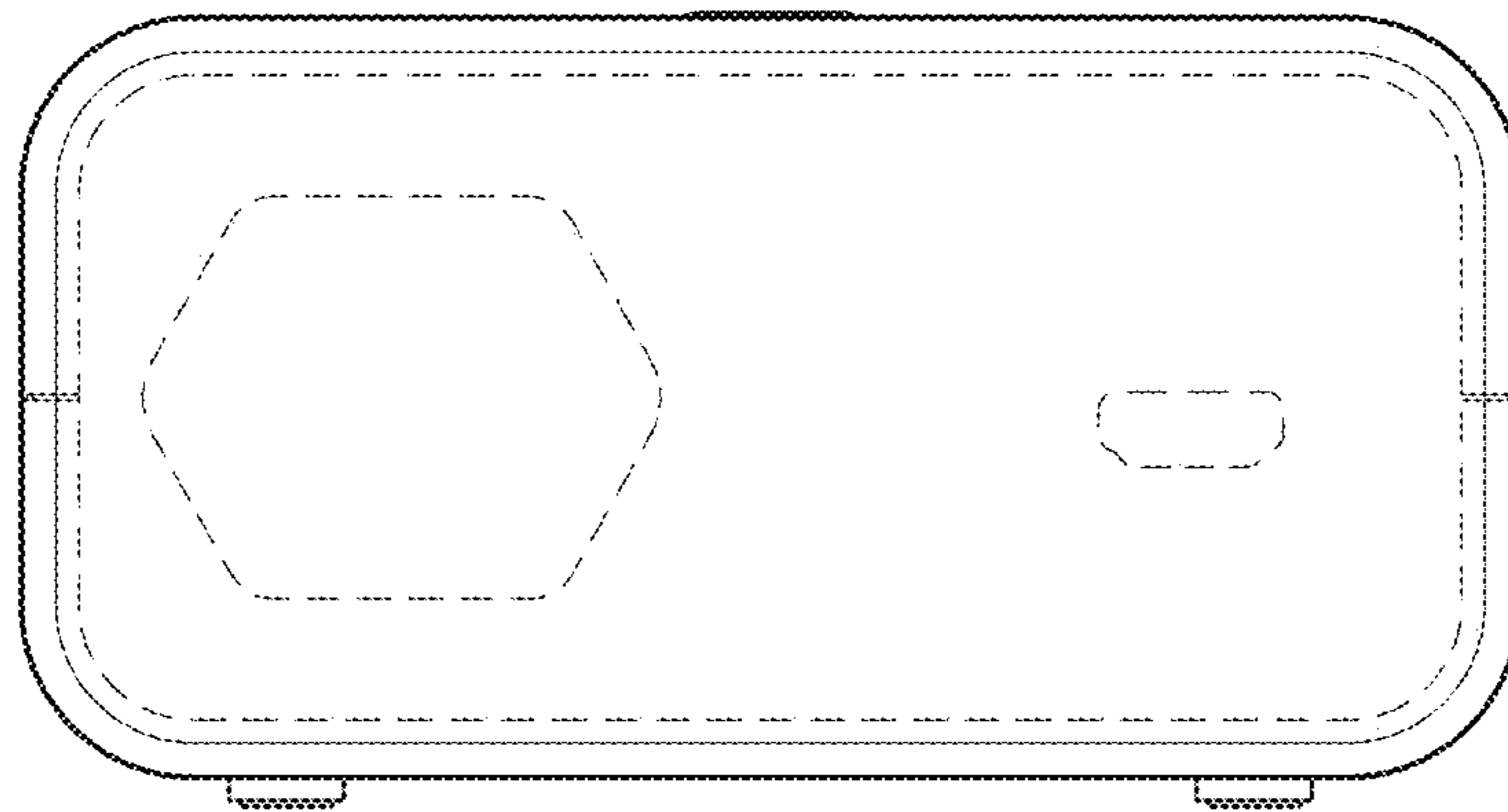


FIG. 3

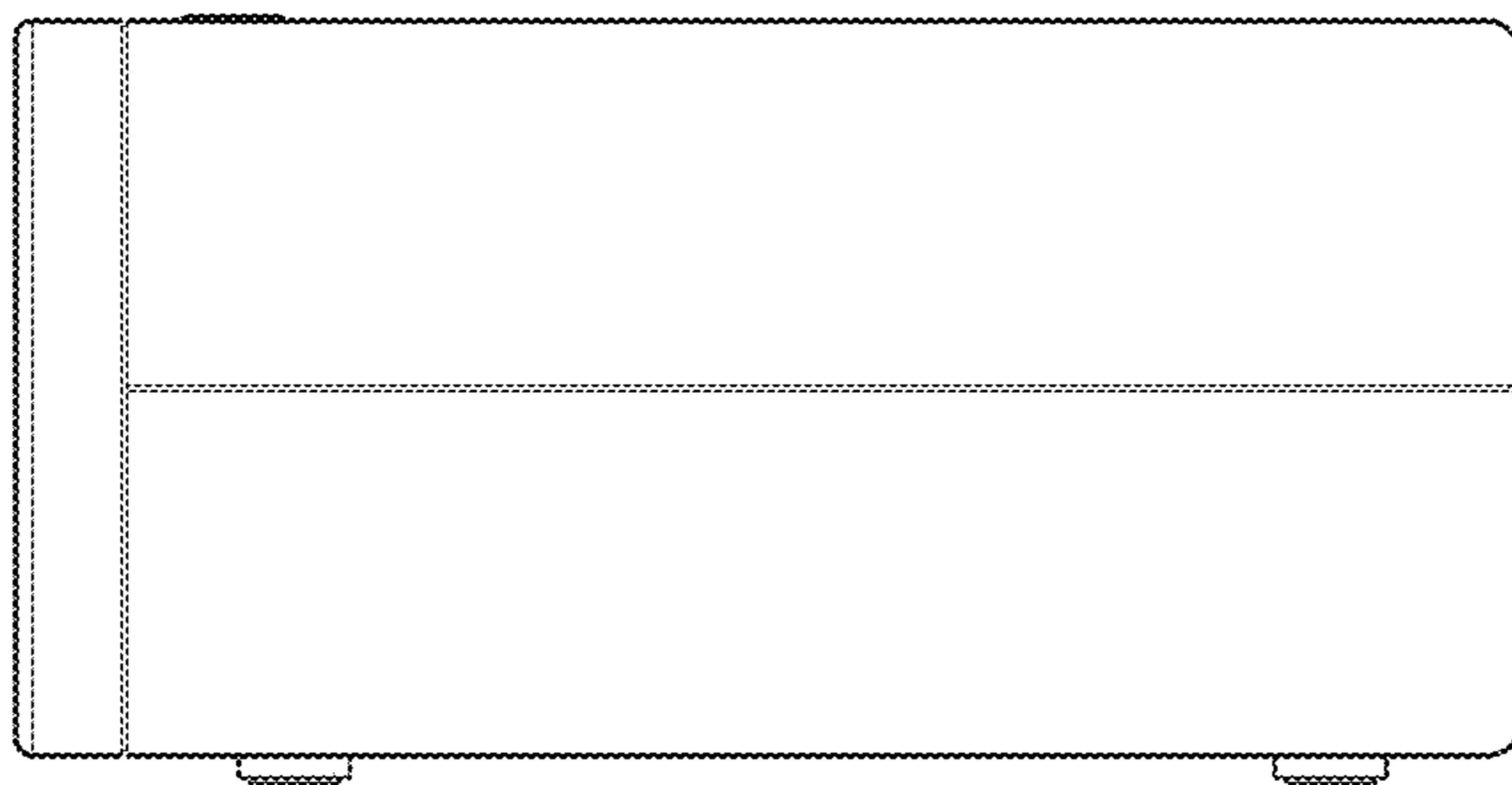


FIG. 4

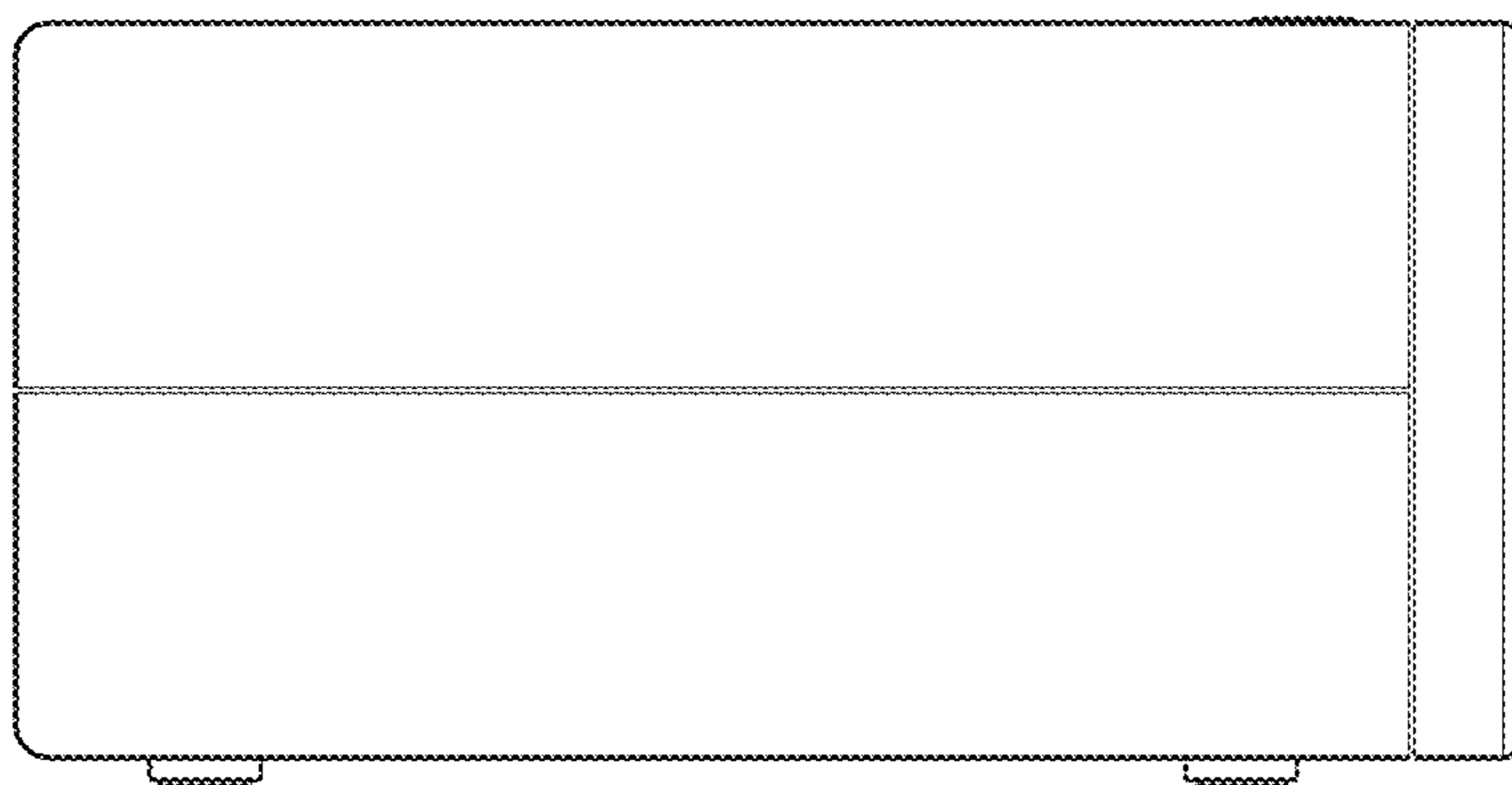


FIG. 5

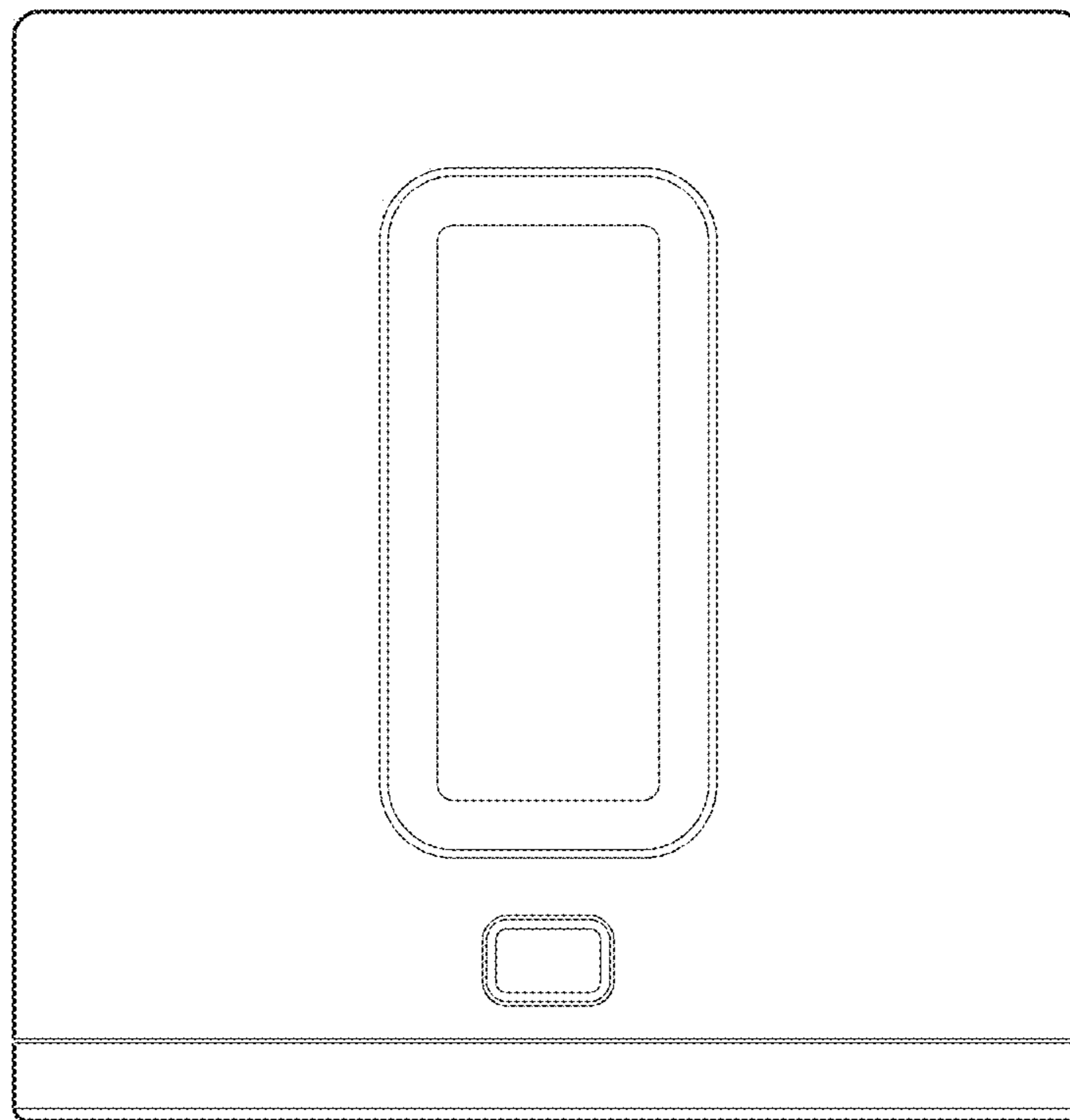


FIG. 6

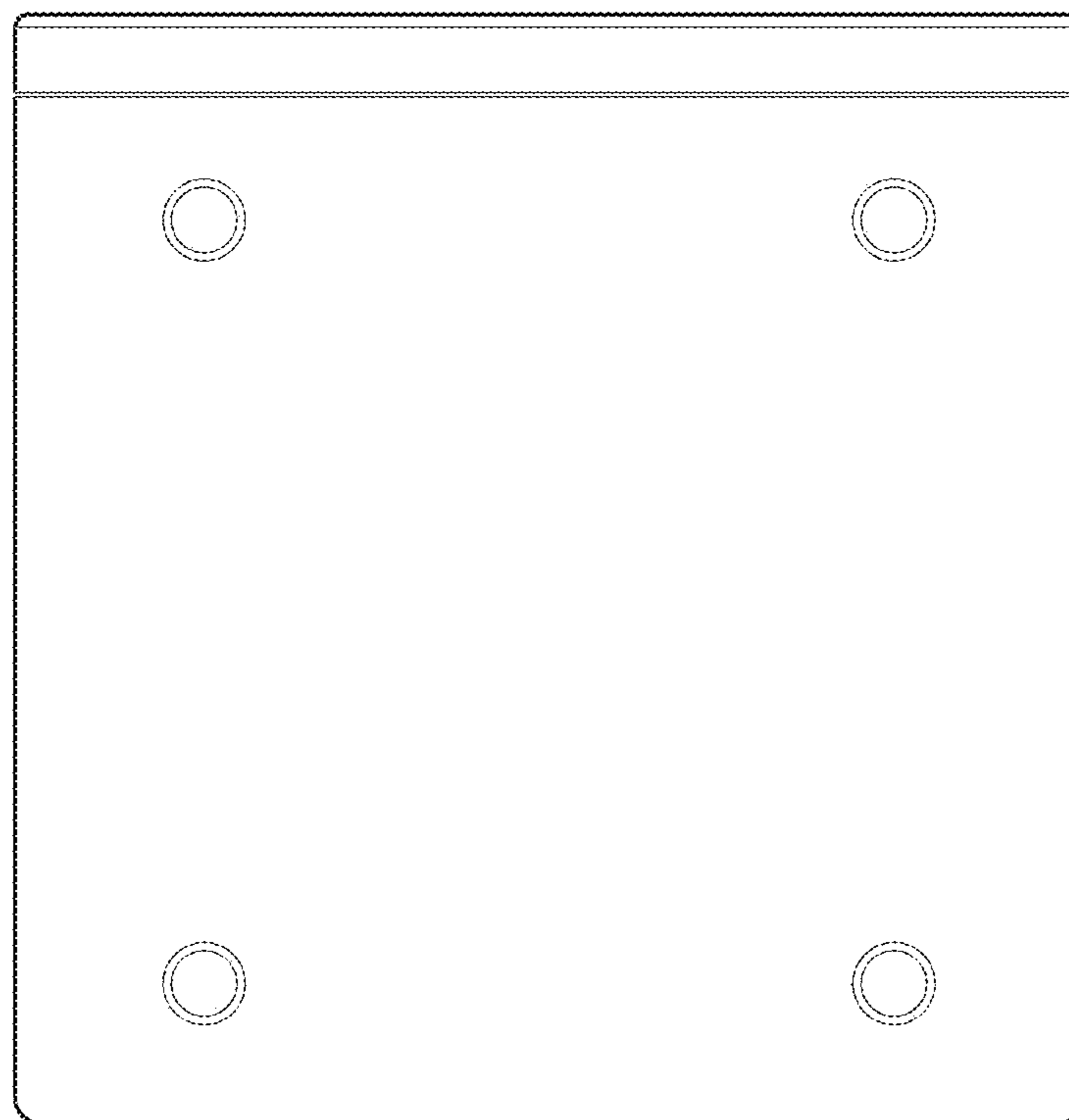


FIG. 7