



US00D901011S

(12) **United States Design Patent** (10) **Patent No.:** **US D901,011 S**
Perrault (45) **Date of Patent:** **** Nov. 3, 2020**

(54) **HANDLE FOR AN OPTICAL DEVICE,
MEDICAL DEVICE, OR THE LIKE**

(71) Applicant: **Welch Allyn, Inc.**, Skaneateles Falls,
NY (US)

(72) Inventor: **Brian Perrault**, Skaneateles Falls, NY
(US)

(73) Assignee: **WELCH ALLYN, INC.**, Skaneateles
Falls, NY (US)

(**) Term: **15 Years**

(21) Appl. No.: **29/660,169**

(22) Filed: **Aug. 17, 2018**

(51) **LOC (12) Cl.** **24-02**

(52) **U.S. Cl.**
USPC **D24/137**

(58) **Field of Classification Search**
USPC D24/133, 137, 107, 138, 150, 165, 172,
D24/185, 186; 351/218, 221, 205, 206;
606/4; 320/111, 114, 138; 600/200
CPC A61B 1/227; A61B 3/1208; A61B 5/022;
A61B 5/02233; A61B 5/02225; A61B
5/021; A61B 5/6824; A61B 5/742; A61B
5/02141; H02J 7/004; H01M 2/1055;
H01M 10/46; H01M 2/1005; A61M
2230/30

See application file for complete search history.

(56) **References Cited**

U.S. PATENT DOCUMENTS

D207,372 S 4/1967 Pulos
D286,814 S 11/1986 Brainard, II et al.
D298,630 S 11/1988 Sellars et al.

(Continued)

OTHER PUBLICATIONS

3.5 V Diagnostic Oscopes [online] [retrieved Jun. 10, 2014].
Retrieved from the Internet: <URL: http://intl.welchallyn.com/apps/
products/product.jsp?id=11-ac-100-0000000001141>. (2011) 1 page.

(Continued)

Primary Examiner — Wan Laymon

Assistant Examiner — Mark Booker

(74) *Attorney, Agent, or Firm* — Alston & Bird LLP

(57) **CLAIM**

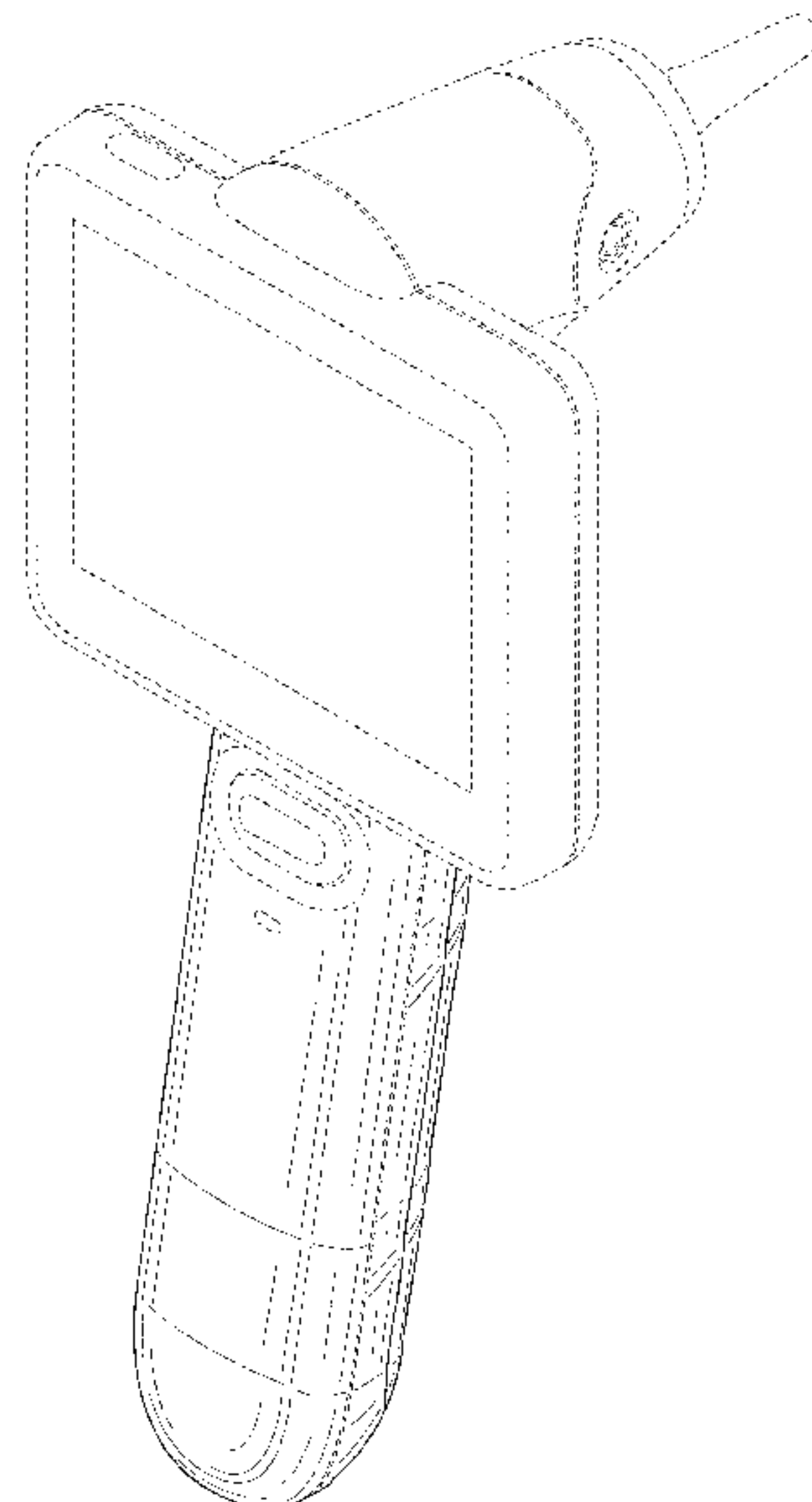
The ornamental design for a handle for an optical device,
medical device, or the like, as shown and described.

DESCRIPTION

FIG. 1 is a perspective view of a handle for an optical device,
medical device, or the like showing my new design;
FIG. 2 is another perspective view thereof;
FIG. 3 is a front elevation view thereof;
FIG. 4 is a rear elevation view thereof;
FIG. 5 is a right side elevation view thereof;
FIG. 6 is a left side elevation view thereof;
FIG. 7 is a top plan view thereof;
FIG. 8 is a bottom plan view thereof;
FIG. 9 is a perspective view of another embodiment of a
handle for an optical device, medical device, or the like
showing my new design;
FIG. 10 is another perspective view thereof;
FIG. 11 is a front elevation view thereof;
FIG. 12 is a rear elevation view thereof;
FIG. 13 is a right side elevation view thereof;
FIG. 14 is a left side elevation view thereof;
FIG. 15 is a top plan view thereof; and,
FIG. 16 is a bottom plan view thereof.

The broken dash lines shown in the figures represent por-
tions of the handle for an optical device, medical device, or
the like that form no part of the claimed design. The broken
dash dot line represents boundaries to the claimed design
and forms no part of the claimed design.

1 Claim, 16 Drawing Sheets



(56)

References Cited

U.S. PATENT DOCUMENTS

5,177,424 A * 1/1993 Connors H02J 7/0042
310/50

D358,471 S 5/1995 Cope et al.

D377,393 S 1/1997 Sams

D422,359 S * 4/2000 Fitch D24/133

D423,668 S 4/2000 Coe

D429,333 S 8/2000 Sanders et al.

6,130,520 A 10/2000 Wawro et al.

D566,270 S 4/2008 Strom et al.

D566,838 S 4/2008 Slawson et al.

D594,555 S 6/2009 Hsu

D617,457 S * 6/2010 Baker D24/133

D618,346 S 6/2010 Sisko et al.

D618,794 S 6/2010 Onuma

D619,708 S 7/2010 Ellman

D633,034 S * 2/2011 Heine D13/103

D635,256 S * 3/2011 Huang D24/137

D635,257 S 3/2011 Ellman

D667,040 S * 9/2012 Holmes D16/206

D671,214 S * 11/2012 Funakoshi D24/138

8,459,844 B2 6/2013 Lia et al.

D708,326 S 7/2014 Wang et al.

D708,327 S 7/2014 Wang et al.

D709,191 S 7/2014 Wood et al.

D736,918 S 8/2015 Liu

D737,823 S 9/2015 Partridge et al.

D760,895 S 7/2016 McMahan et al.

D834,713 S * 11/2018 Myers D24/137

D835,271 S * 12/2018 Myers D24/137

2004/0039251 A1 2/2004 Roberts et al.

2010/0191063 A1 * 7/2010 Hsu A61B 1/227
600/200

OTHER PUBLICATIONS

3.5 V Standard Ophthalmoscope [online] [retrieved Jun. 10, 2014]. Retrieved from the Internet: <URL:http://intel.welchallyn.com/apps/products/product.jsp?id=11-ac-100-000000001137>. (2011) 1 page.

PocketScope Ophthalmoscope [online] [retrieved Jun. 10, 2014]. Retrieved from the Internet: <URL:http://http://intel.welchallyn.com/apps/products/product.jsp?id=11-ac-100-000000001139>. (2011) 1 page.

PocketScope Otoscope with Throat Illuminator [online] [retrieved Jun. 10, 2014]. Retrieved from the Internet: <URL: http://intel.welchallyn.com/apps/products/product.jsp?id=11-ac-100-000000001148>. (2011) 1 page.

Welch Allyn 2.5v PocketScope Ophthalmoscope with AA Handle (Model 12820) [online] [retrieved Jun. 10, 2014]. Retrieved from the Internet: <URL: http://www.amazon.com/Welch-allyn-PocketScope-Ophthalmoscope-Handle/dp/B002MBRHROQ/re-pd_sim_sbs_hpc_1?ie=UTF8&refRID=0KV7EFBWEAQ08K...>. (undated) 2 pages.

Welch Allyn Otoscope/ophthalmoscope Diagnostic Set MOD 95001 [online] [retrieved Jun. 10, 2014]. Retrieved from the Internet: <URL: http://www.amazon.com/Welch-Allyn-ophthalmoscope-MOD-95001/dp/BOOORJXUDS/ref=pd_sxp_grid_pt0_1>. (undated) 2 pages.

Welch Allyn PocketScope Otoscope w/“AA” Handle and Soft Case, 1/Ea, 22821 [online] [retrieved Jun. 10, 2014]. Retrieved from the Internet: <URL: http://www.amazon.com/Welch-Allyn-PocketScope-Otoscope-22821/dp/BOOOROJ8UW/ref=pd_sim_hpc_3?ie=UTF8&refRID=13090GMJV3SHNBVAQPKS>. (undated) 2 pages.

Design U.S. Appl. No. 29/576,466, filed Sep. 2, 2016, in Re: Meyers et al., “Optical Imaging Device”.

* cited by examiner

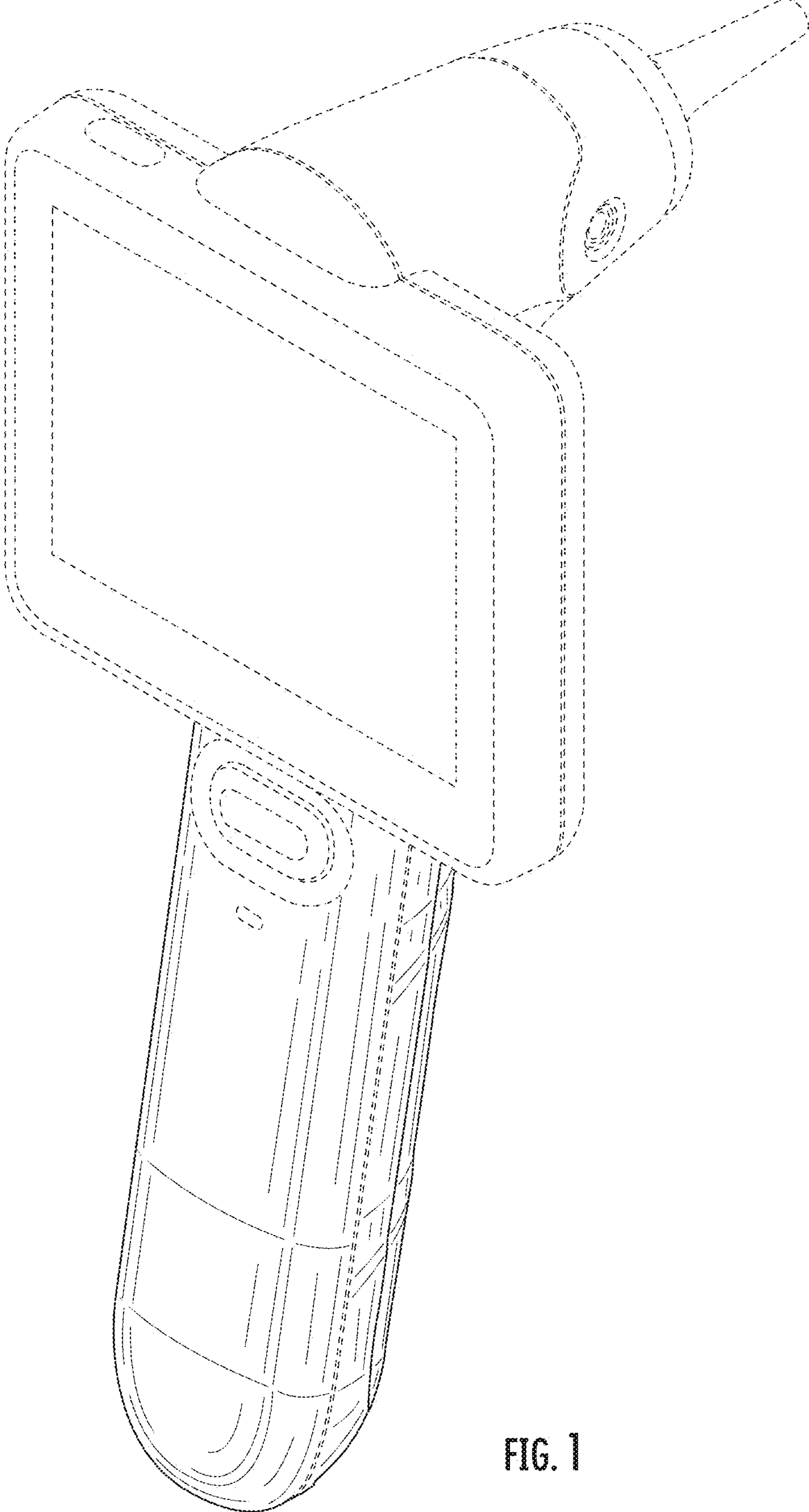


FIG. 1

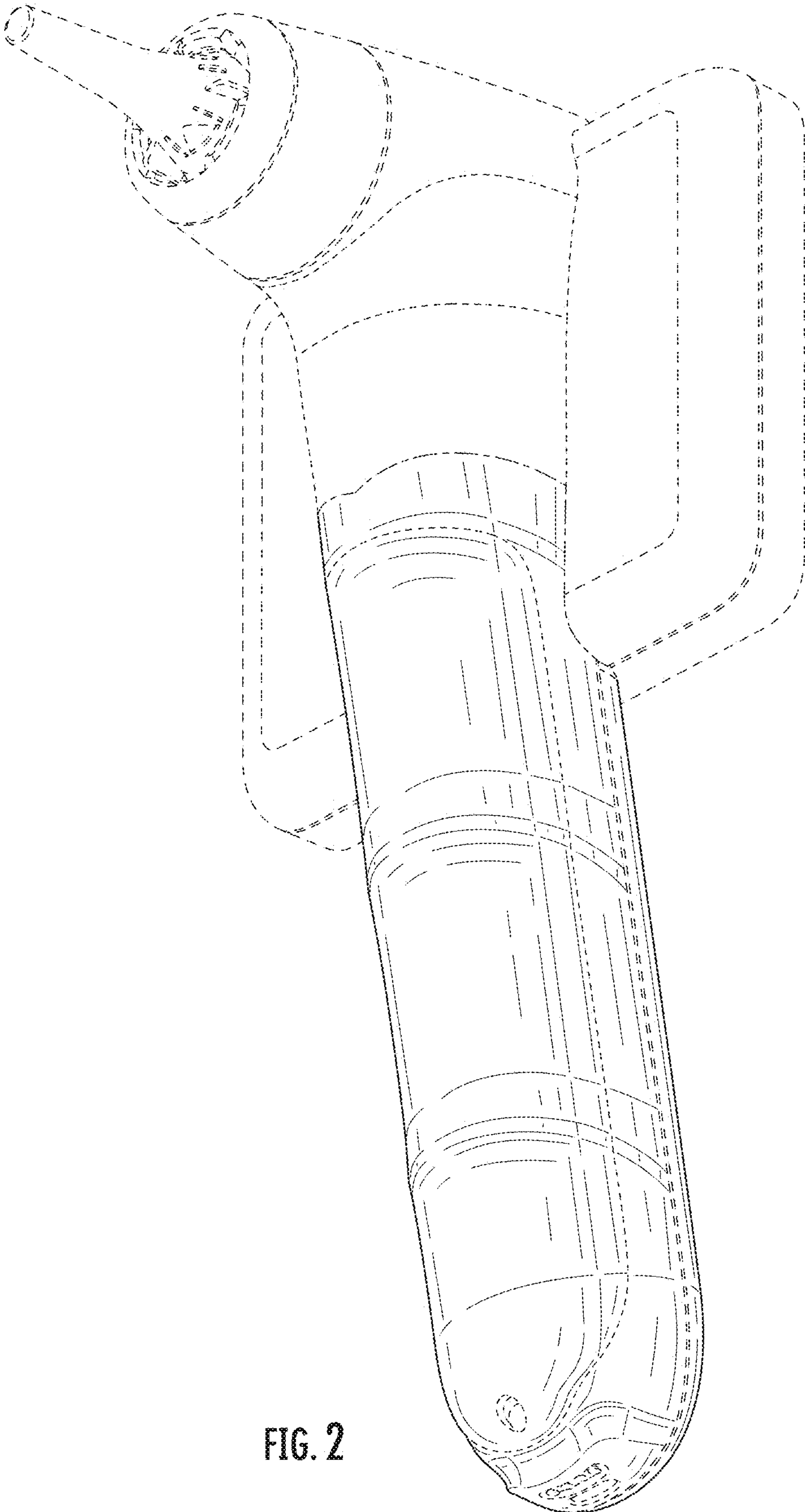


FIG. 2

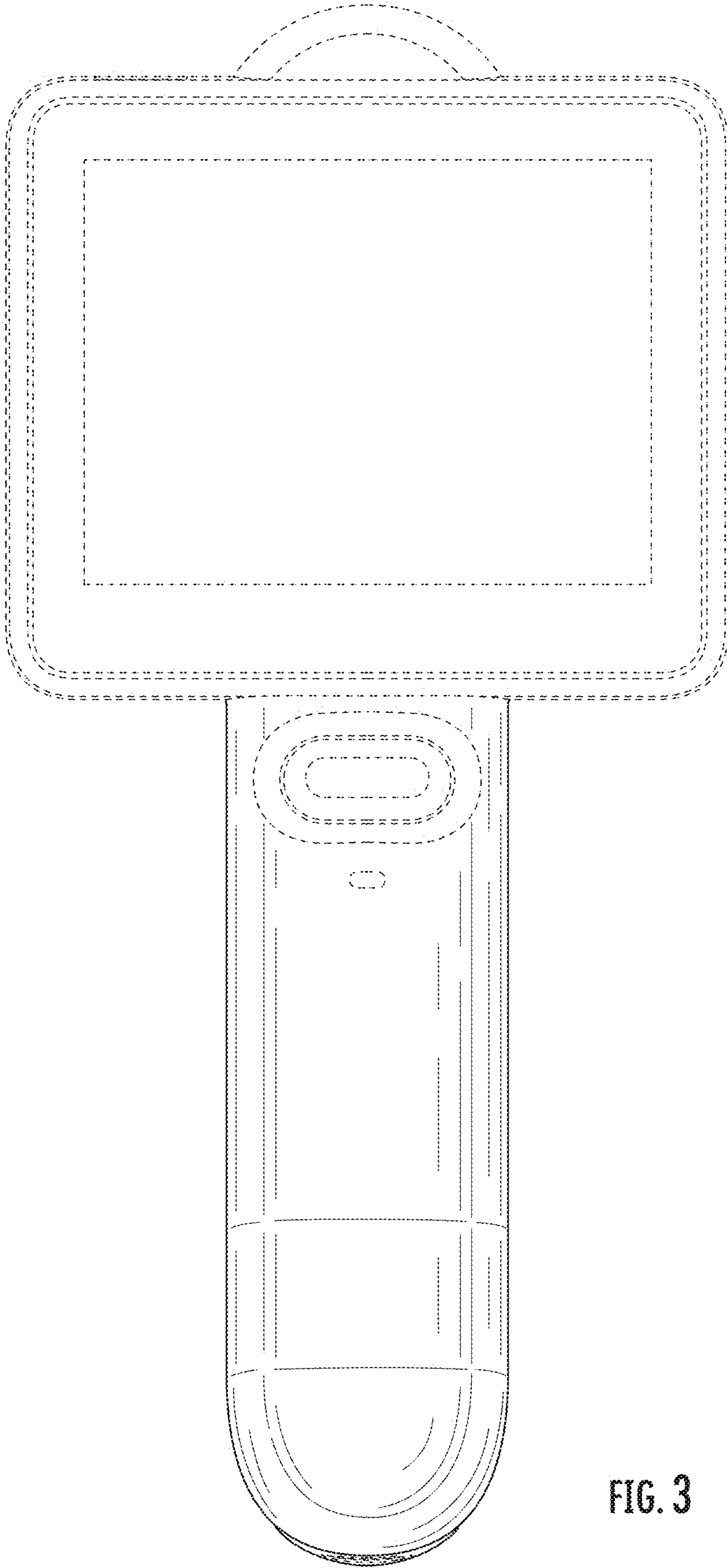


FIG. 3

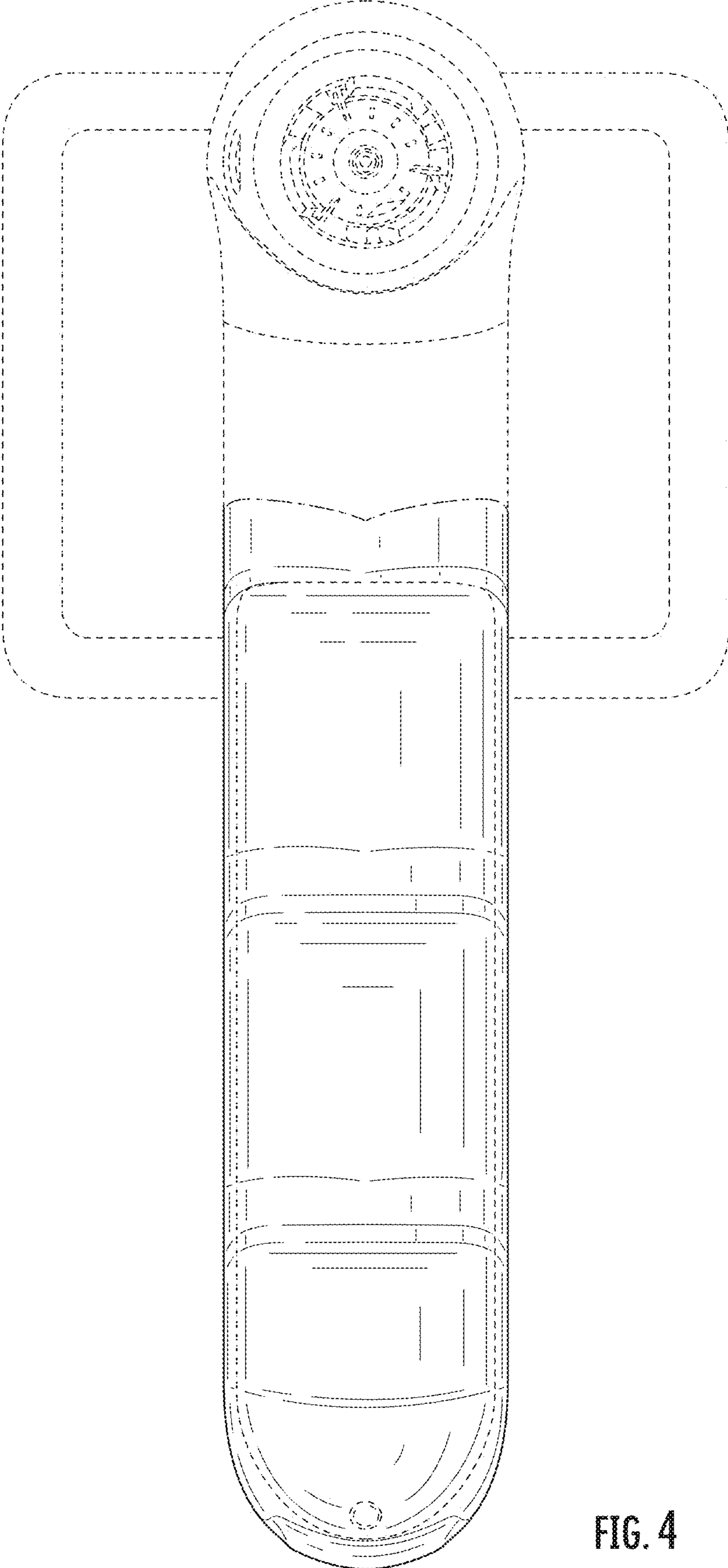


FIG. 4

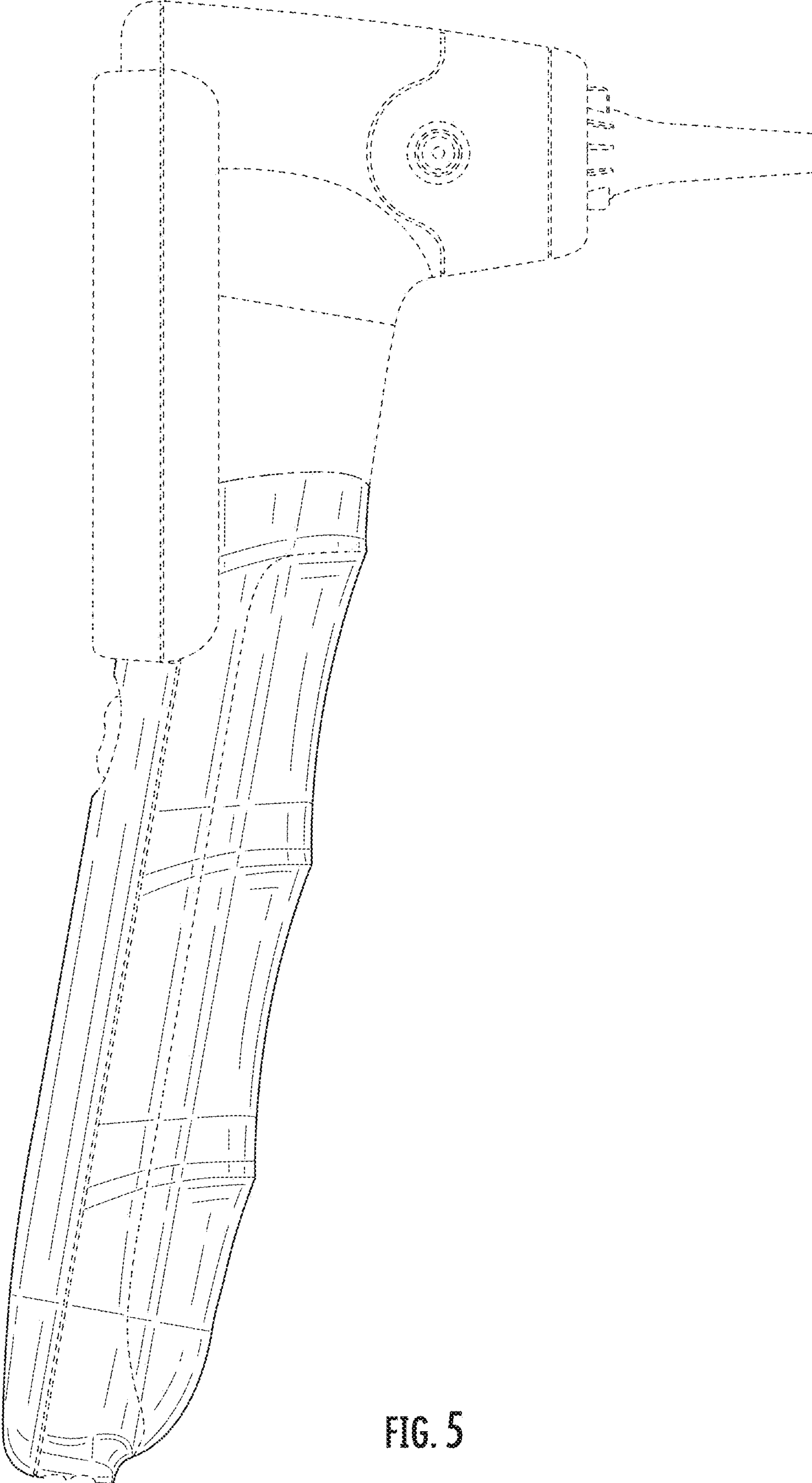


FIG. 5

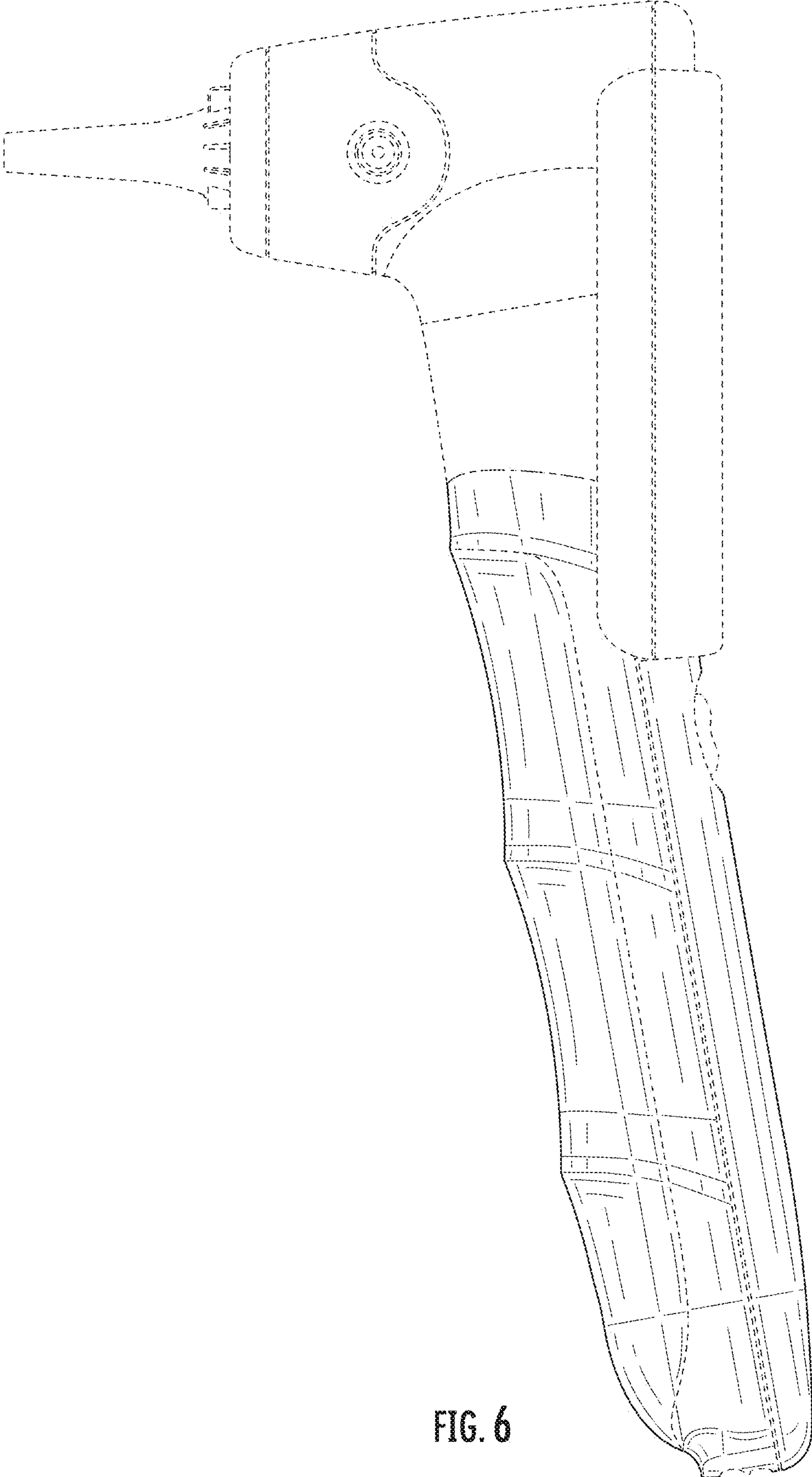


FIG. 6

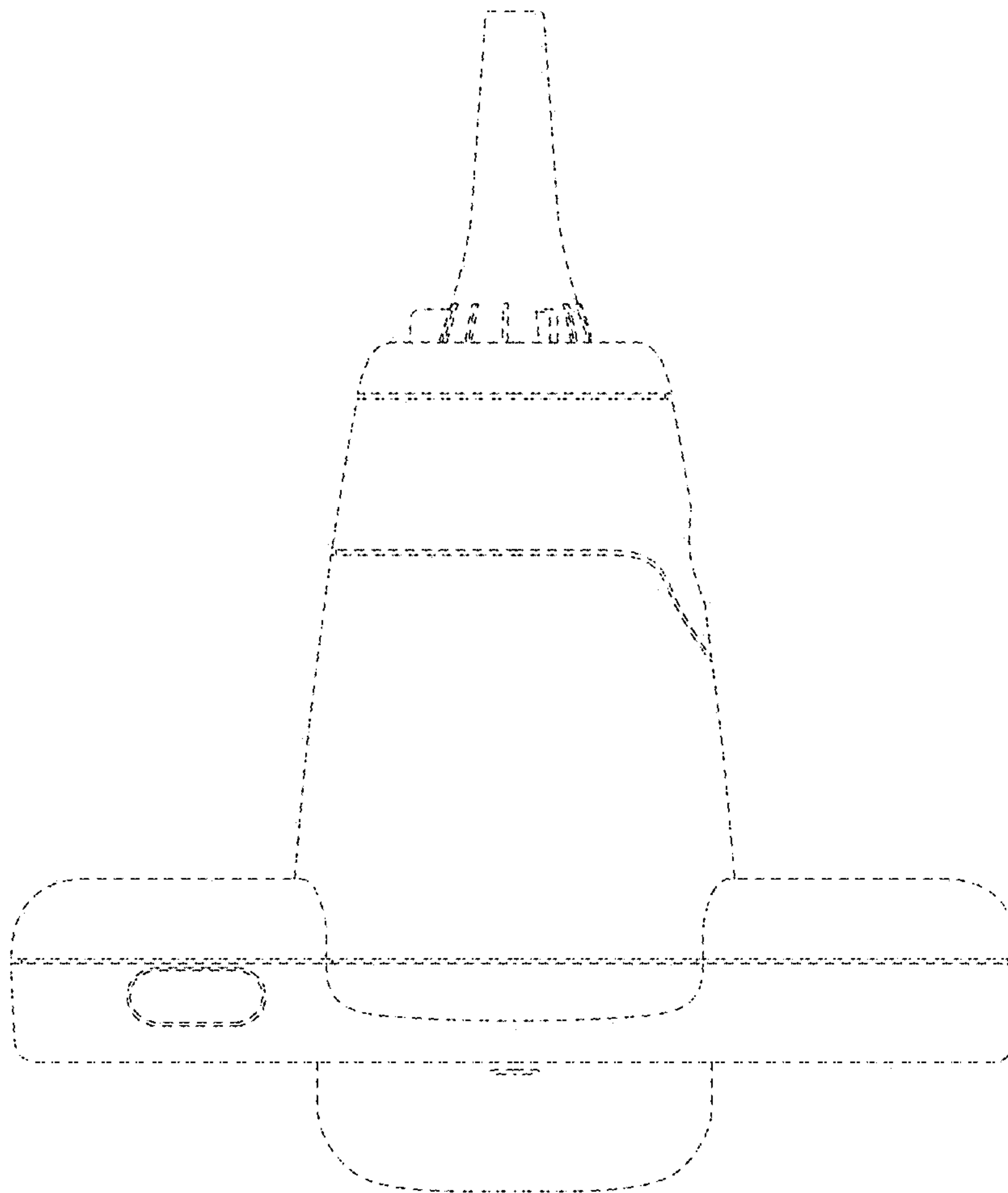


FIG. 7

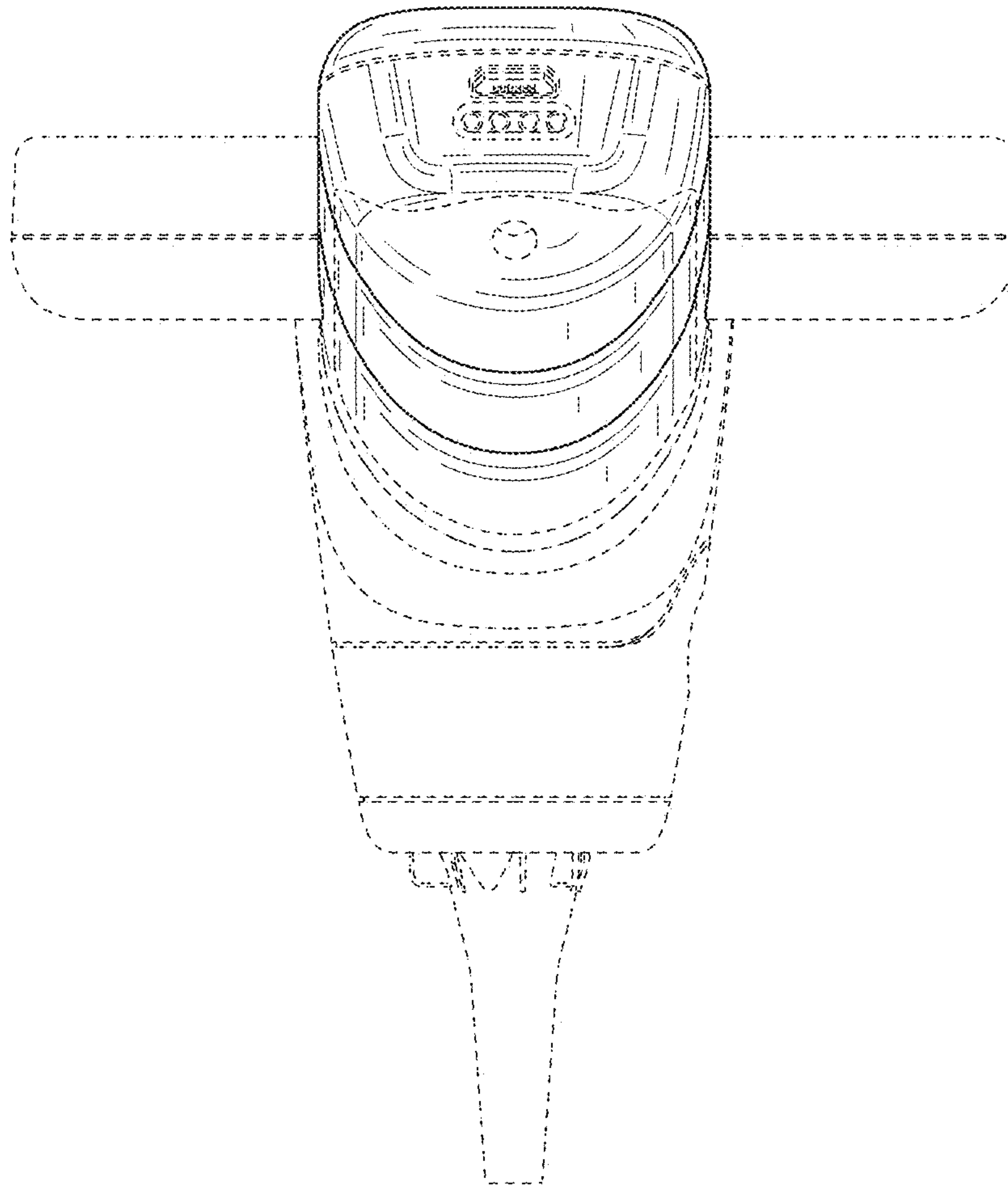


FIG. 8

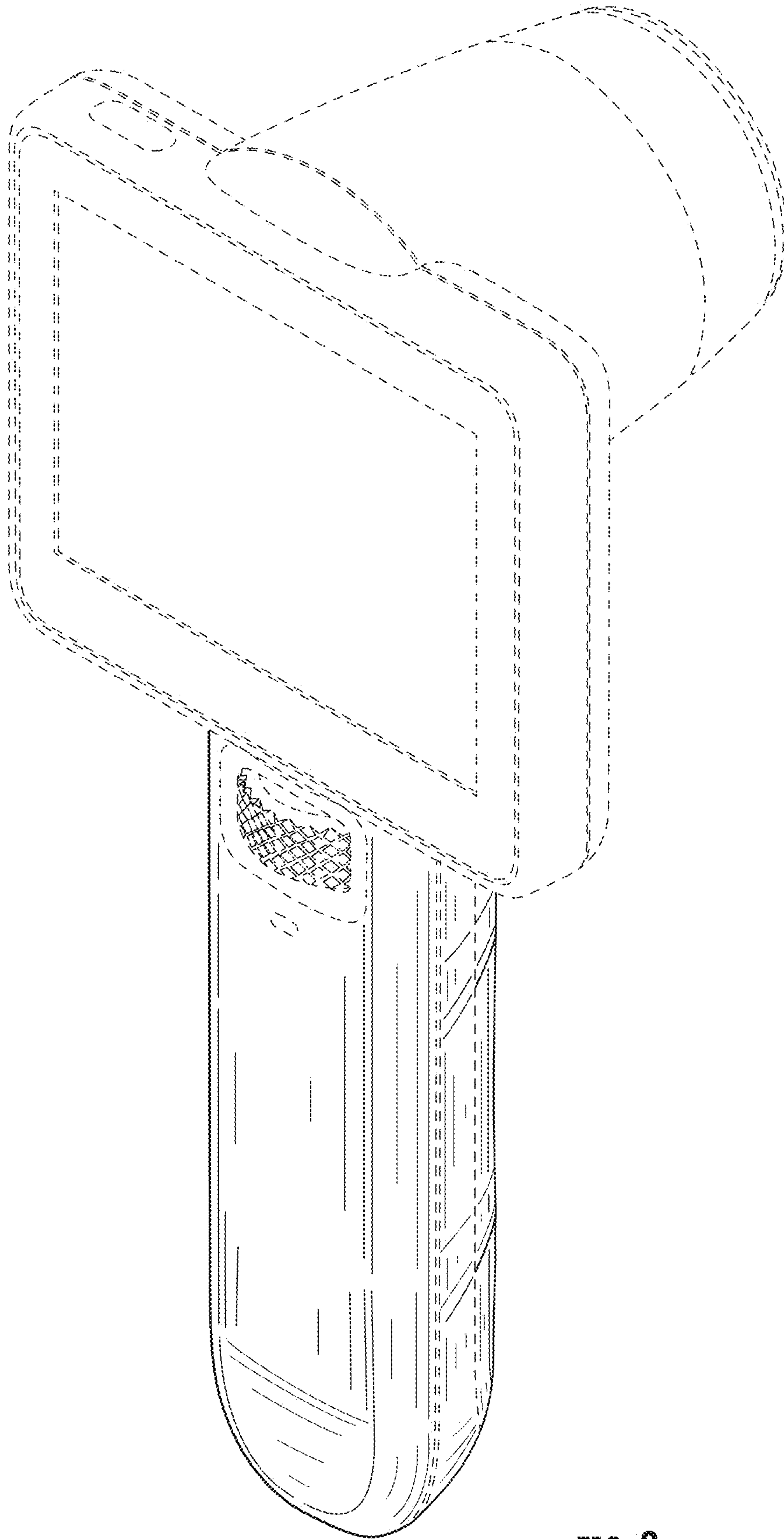


FIG. 9

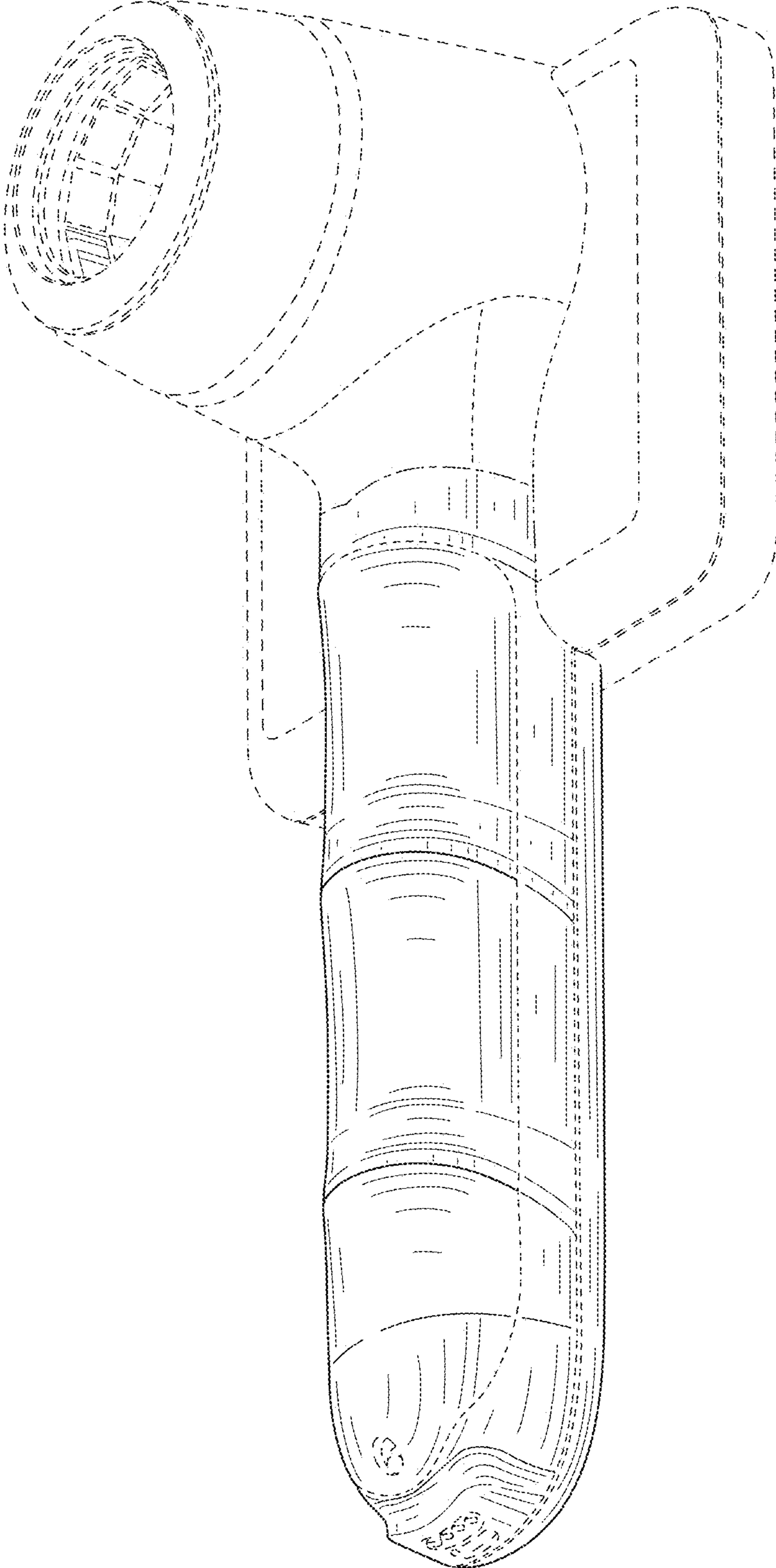


FIG. 10

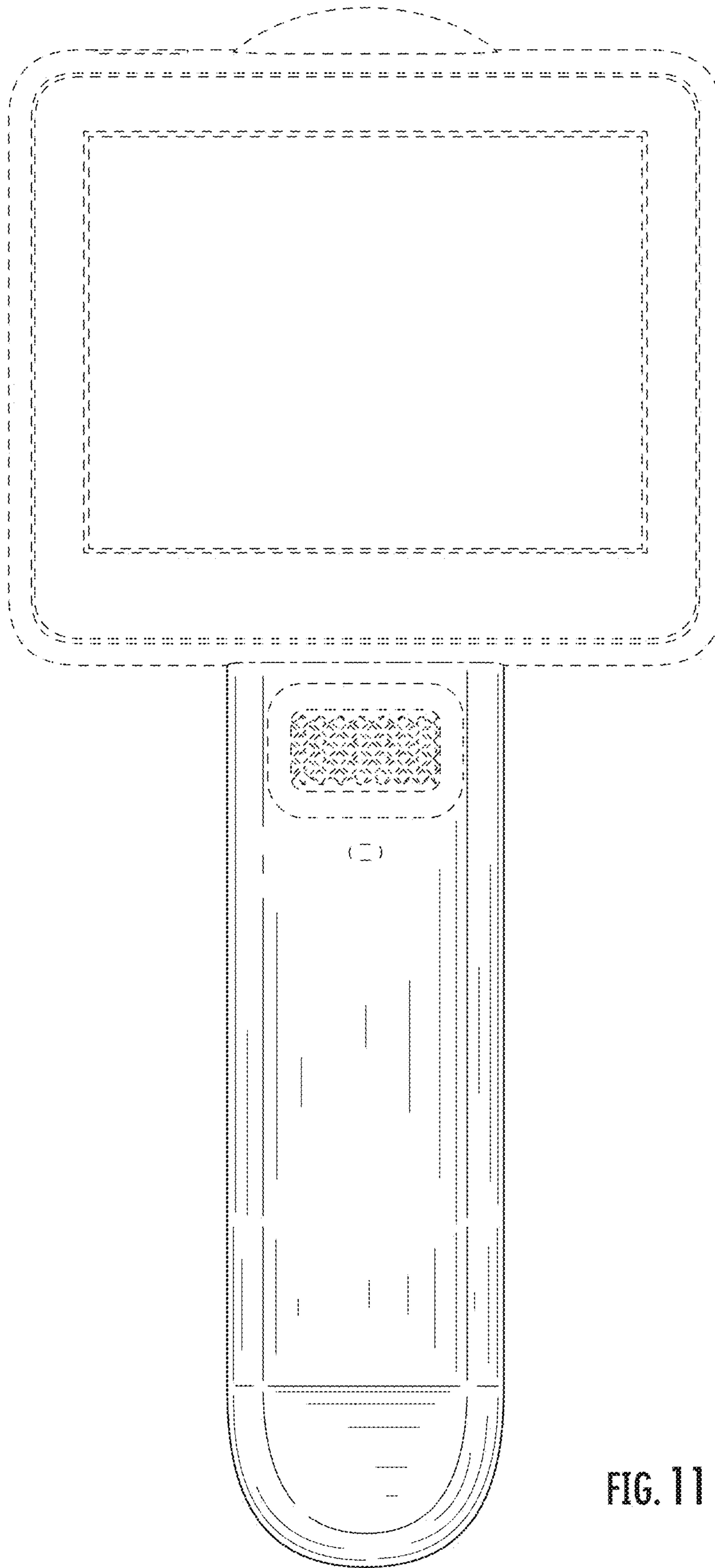


FIG. 11

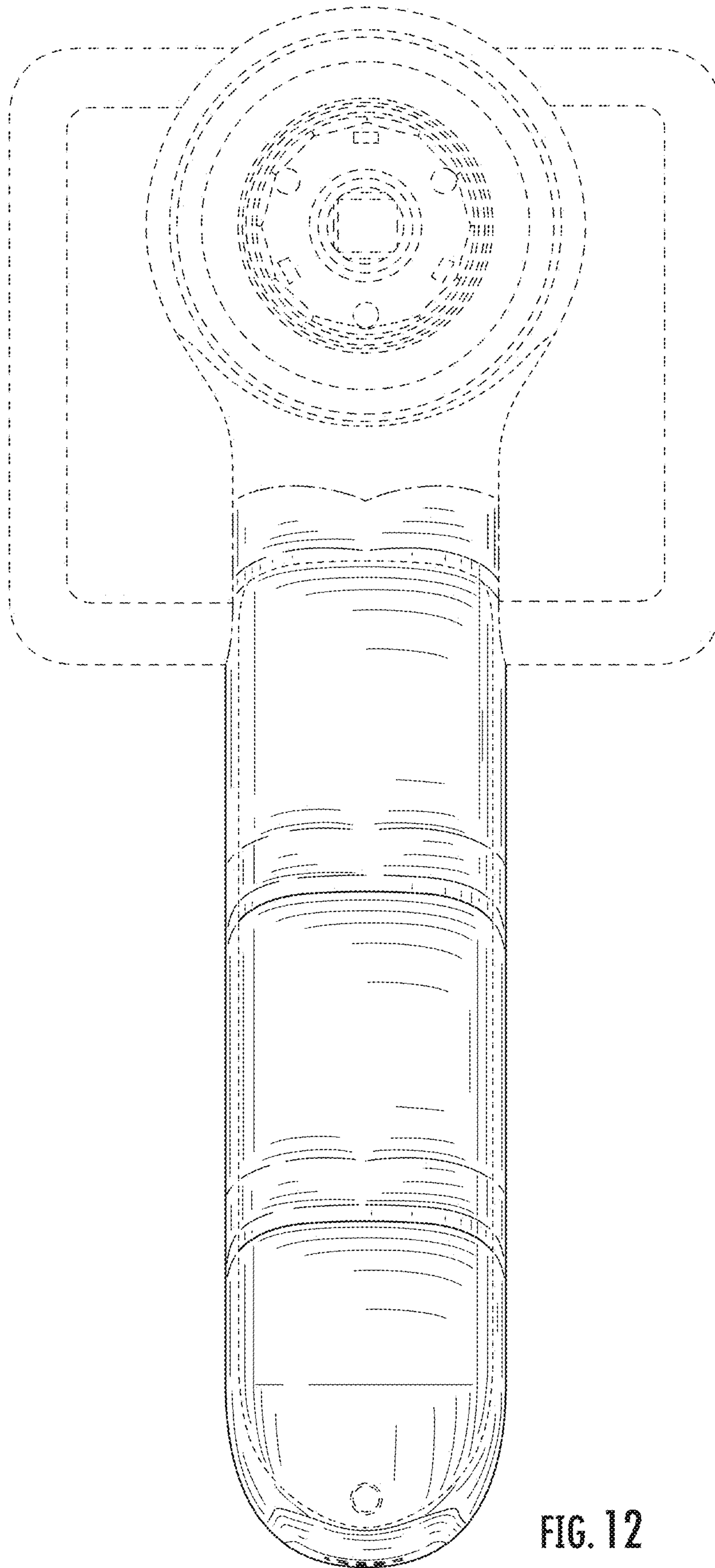


FIG. 12

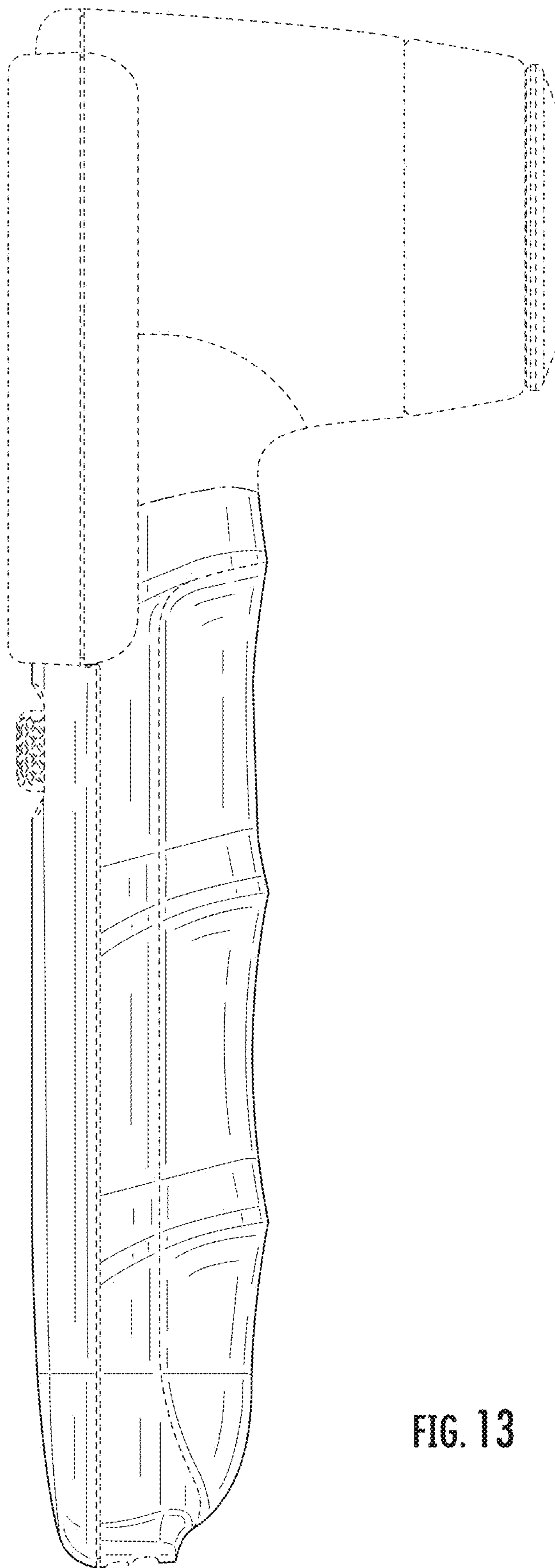


FIG. 13

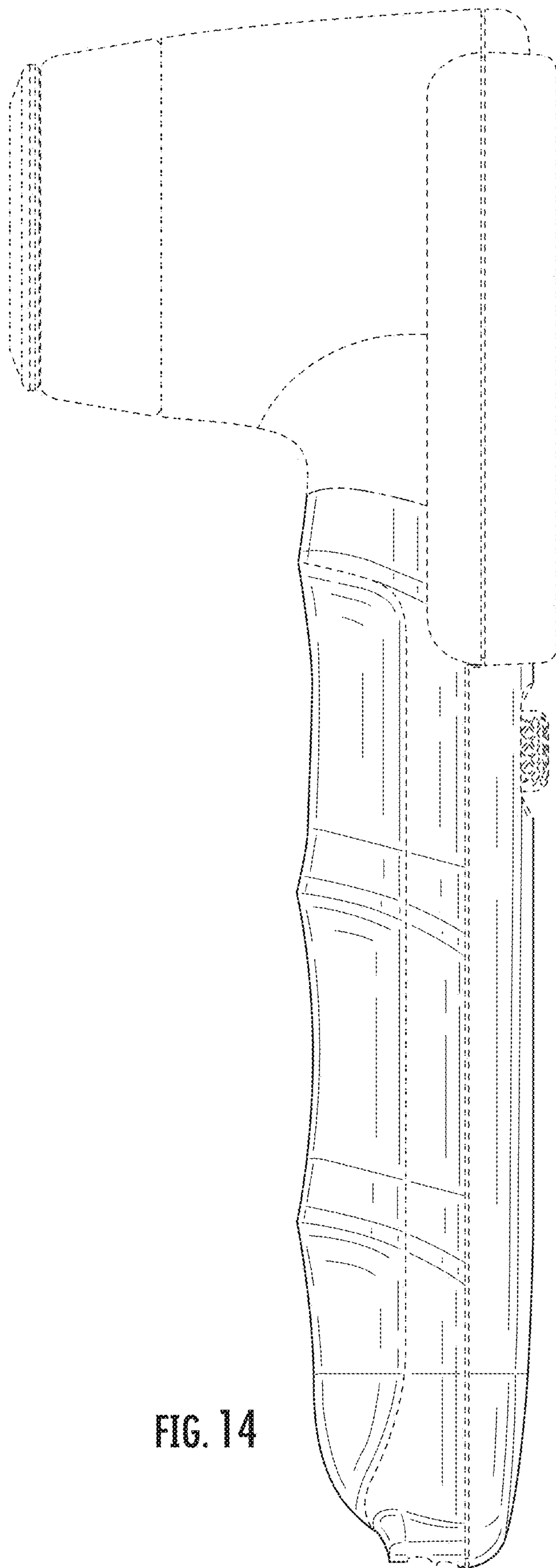


FIG. 14

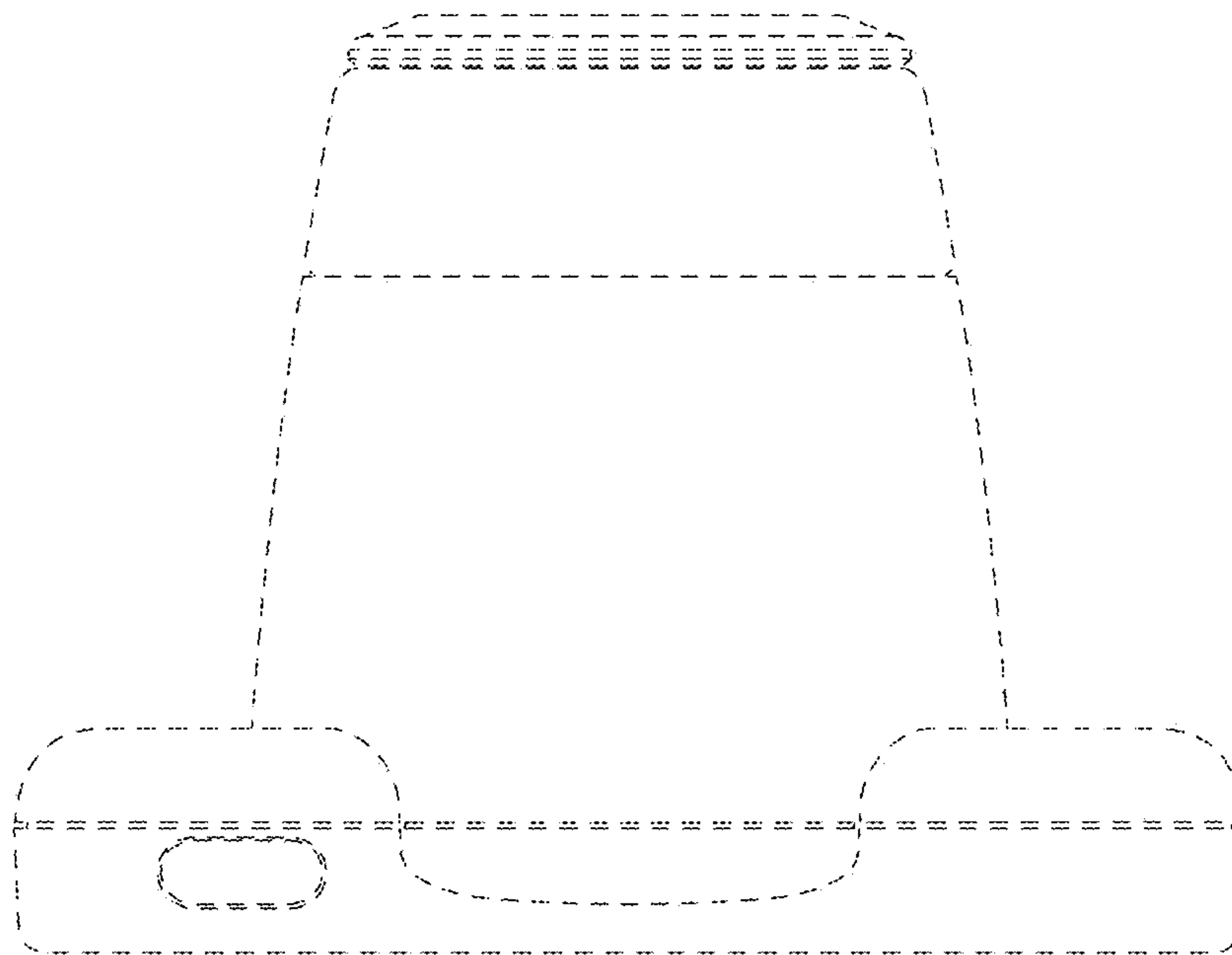


FIG. 15

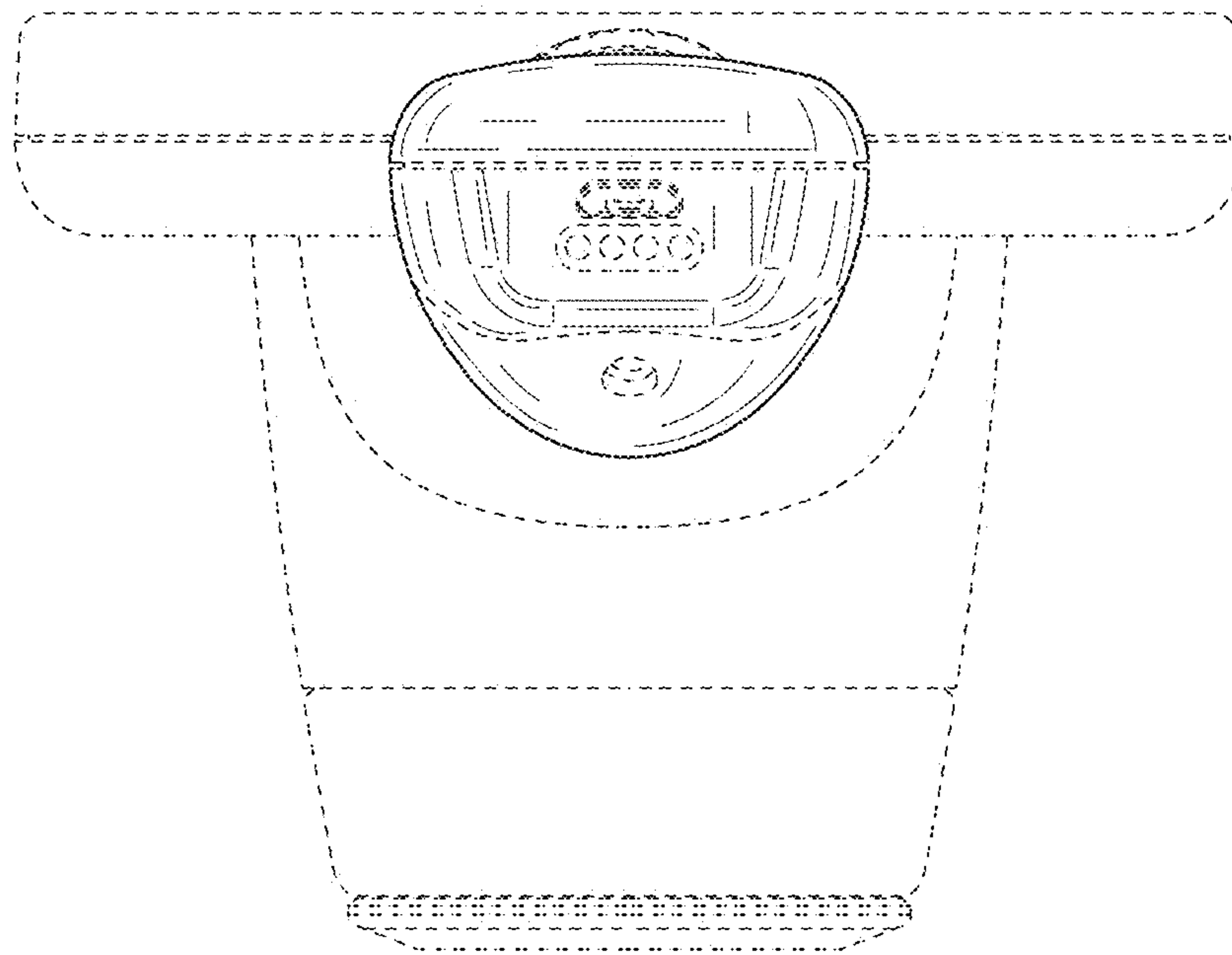


FIG. 16