



US00D901008S

(12) **United States Design Patent** (10) **Patent No.:** **US D901,008 S**
Nicholas et al. (45) **Date of Patent:** **** Nov. 3, 2020**

(54) **CAP OF AN INJECTION DEVICE**

FOREIGN PATENT DOCUMENTS

(71) Applicant: **Sanofi-Aventis Deutschland GMBH**,
Frankfurt am Main (DE)

EP	2716318	4/2014
FR	3043562	5/2017

(Continued)

(72) Inventors: **Courtney Nicholas**, East Greenbush,
NY (US); **Scott Barton**, East
Greenbush, NY (US); **Bart Burgess**,
East Greenbush, NY (US); **Alexei**
Goraltchouk, Cambridge, MA (US);
Alex Zuyev, Frankfurt am Main (DE)

OTHER PUBLICATIONS

SHL Medical Products Molly Auto Injectors (http://www.shl-group.com/Products_SHLMedical_AutoInjectors_Molly.html), last accessed Jul. 26, 2018.

(Continued)

(73) Assignee: **Sanofi-Aventis Deutschland GMBH**,
Frankfurt am Main (DE)

Primary Examiner — David G Muller

Assistant Examiner — Nathan M Johnston

(**) Term: **15 Years**

(74) *Attorney, Agent, or Firm* — Fish & Richardson P.C.

(21) Appl. No.: **29/645,284**

(57) **CLAIM**

(22) Filed: **Apr. 25, 2018**

The ornamental design for a cap of an injection device, substantially as shown and described.

(30) **Foreign Application Priority Data**

DESCRIPTION

Oct. 25, 2017 (EM) 004420388

(51) **LOC (12) Cl.** **24-02**

(52) **U.S. Cl.**
USPC **D24/130**

(58) **Field of Classification Search**
USPC D24/127–131, 112–114, 133, 186;
606/181, 185; 604/264, 272, 115, 232,
604/187, 158, 164.08, 192, 263, 163, 181,
604/184, 198, 227; 600/101, 139, 143;
(Continued)

FIG. 1 is a perspective view of a cap of an injection device showing our new design;
FIG. 2 is a second perspective view thereof;
FIG. 3 is a front elevation view thereof;
FIG. 4 is a rear elevation view thereof;
FIG. 5 is a side elevation view thereof;
FIG. 6 is a top plan view thereof; and
FIG. 7 is a bottom plan view thereof.
FIG. 8 is a first perspective view thereof;
FIG. 9 is a second perspective view thereof;
FIG. 10 is a front view thereof;
FIG. 11 is a back view thereof;
FIG. 12 is a side view thereof;
FIG. 13 is a top view thereof; and,
FIG. 14 is a bottom view thereof.

The broken lines show portions of the design that form no part of the claimed design.

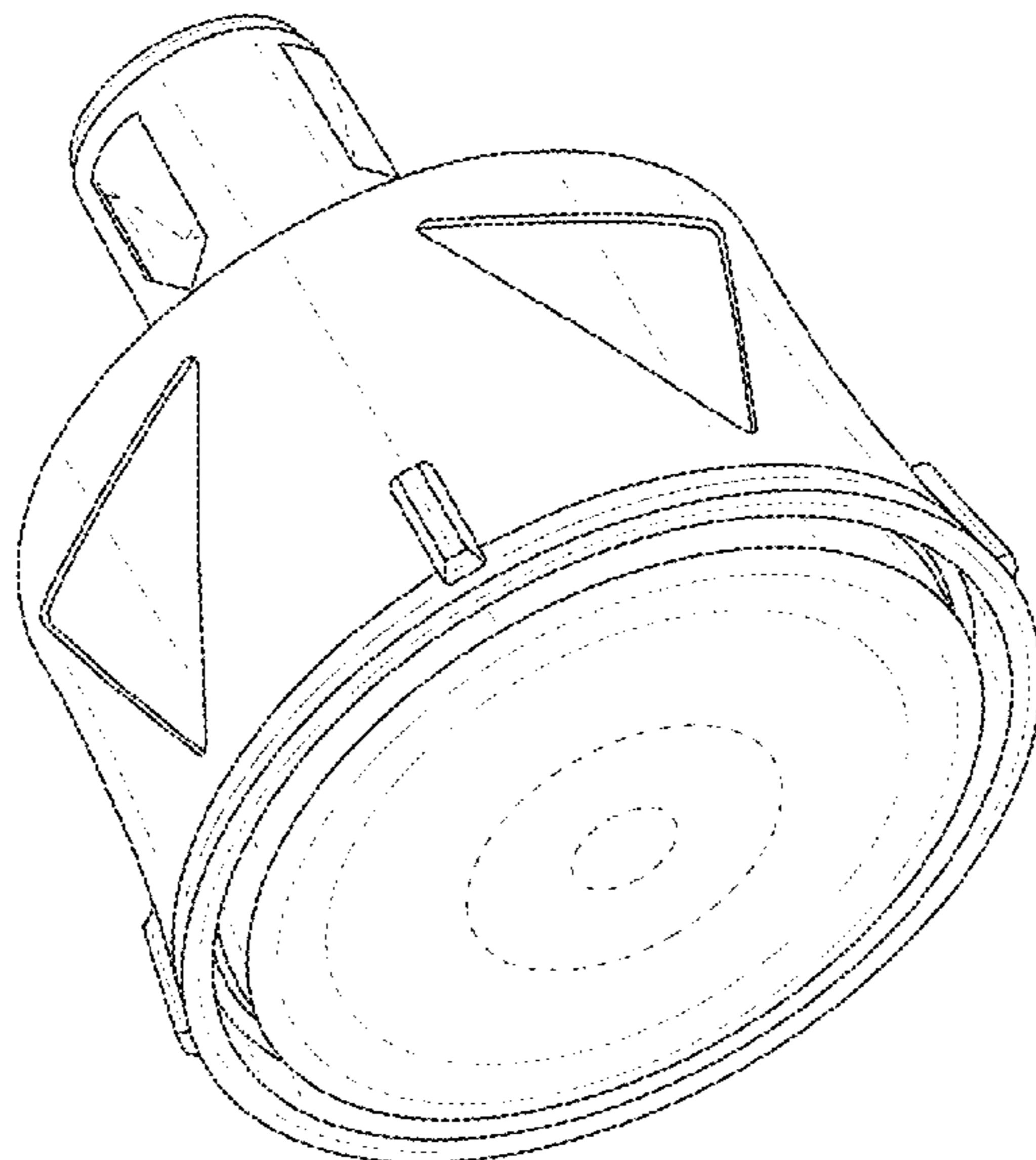
(56) **References Cited**

U.S. PATENT DOCUMENTS

4,046,145 A	9/1977	Choksi et al.
4,840,185 A	6/1989	Hernandez
4,900,309 A	2/1990	Netherton et al.

(Continued)

1 Claim, 8 Drawing Sheets



US D901,008 S

Page 3

(56)

References Cited

U.S. PATENT DOCUMENTS

9,964,195 B2 * 5/2018 Edler F16H 48/08
D820,441 S * 6/2018 Ketelhohn A61B 17/22012
D24/127
D822,198 S * 7/2018 Stonecipher D24/113
D831,198 S * 10/2018 Ross D24/127
D834,187 S * 11/2018 Ryan A61M 39/20
D24/130
D835,267 S * 12/2018 Gilbert D24/129
2003/0195474 A1 * 10/2003 Down A61M 37/0015
604/187
2004/0116875 A1 6/2004 Fischer et al.
2007/0039156 A1 2/2007 Reich
2007/0113861 A1 5/2007 Knudsen et al.
2008/0009808 A1 1/2008 Berler
2008/0269692 A1 10/2008 James et al.
2008/0289984 A1 11/2008 Raven et al.
2012/0232491 A1 * 9/2012 Jennings A61M 5/3202
604/192
2013/0030375 A1 1/2013 Daily et al.
2013/0030381 A1 * 1/2013 Langley A61M 5/24
604/224
2013/0041328 A1 2/2013 Daniel
2013/0041347 A1 2/2013 Daniel
2013/0281934 A1 10/2013 Wilmot et al.
2014/0358037 A1 12/2014 Crawford et al.
2015/0011944 A1 1/2015 Young et al.
2015/0045742 A1 2/2015 Cheung
2015/0051580 A1 2/2015 Shain et al.
2015/0065960 A1 3/2015 Osman
2015/0073383 A1 3/2015 Wilmot et al.

2015/0080807 A1 3/2015 Schneider et al.
2015/0283372 A1 * 10/2015 Maritan A61M 39/10
604/187
2015/0352278 A1 12/2015 Morita et al.
2015/0374918 A1 12/2015 Kumar et al.
2016/0051760 A1 2/2016 Krell et al.
2016/0051764 A1 2/2016 Dreier et al.
2016/0067407 A1 3/2016 Daniel
2016/0089498 A1 3/2016 Daniel
2016/0158460 A1 6/2016 Mesa et al.
2016/0213845 A1 7/2016 Holmqvist
2016/0263327 A1 9/2016 Radmer et al.
2016/0279334 A1 9/2016 Daniel
2016/0317745 A1 11/2016 Kjeldsen et al.
2016/0375196 A1 12/2016 Wilmot et al.
2017/0021110 A1 * 1/2017 Srinivasan A61M 5/002
2017/0361027 A1 * 12/2017 Srinivasan A61M 5/347
2018/0221588 A1 * 8/2018 Keitel A61M 5/20
2018/0250473 A1 * 9/2018 Ganzitti A61M 5/31551
2018/0272075 A1 * 9/2018 Stefanov A61M 5/20
2018/0311442 A1 * 11/2018 Saussaye A61M 5/2033
2018/0353692 A1 12/2018 Saussaye et al.

FOREIGN PATENT DOCUMENTS

WO WO 2015/026737 2/2015
WO WO 2019/006296 1/2019

OTHER PUBLICATIONS

International Search Report and Written Opinion issued in PCT/
US2018/040282 dated Nov. 13, 2018, 13 pages.

* cited by examiner

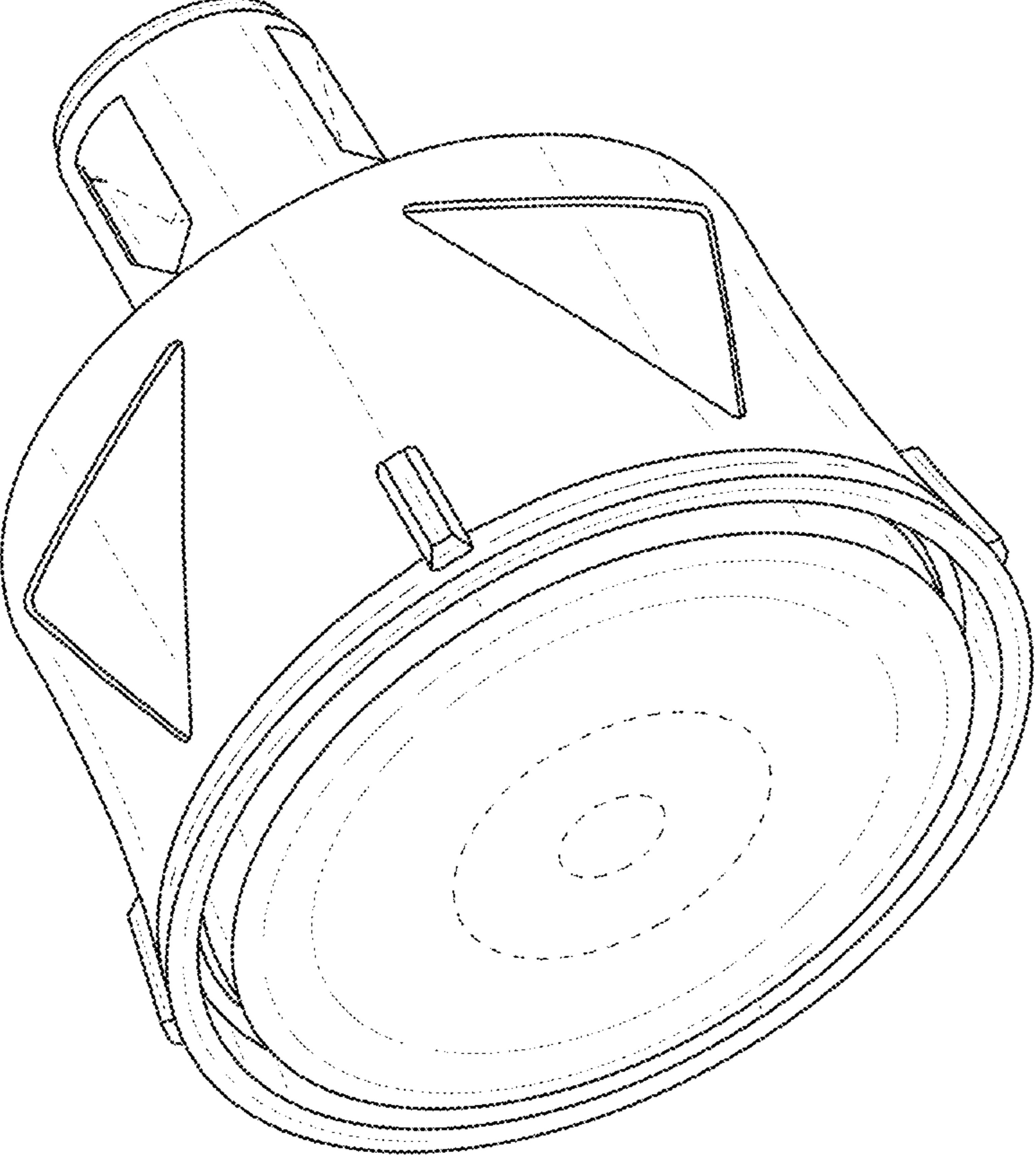


FIG. 1

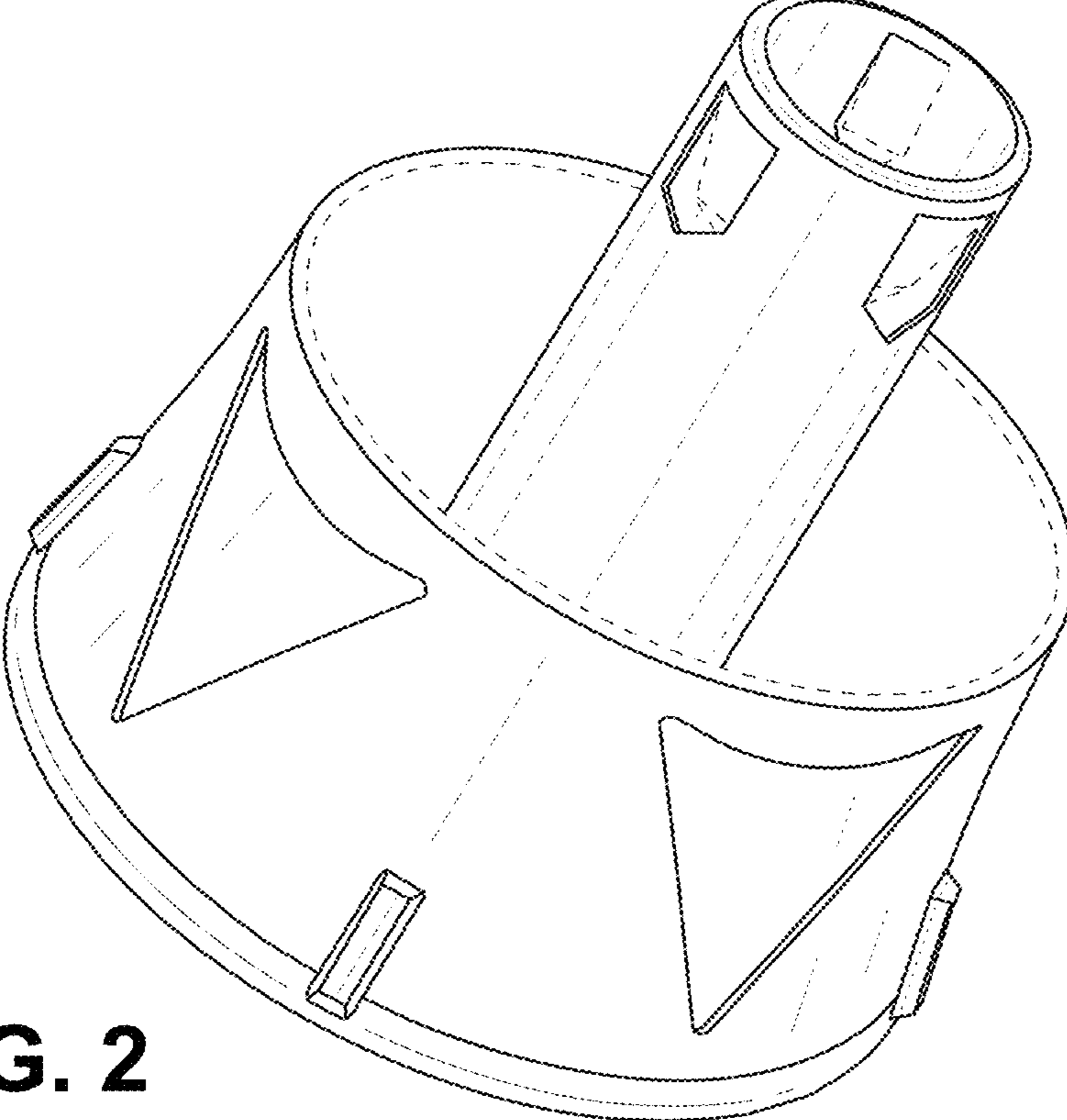


FIG. 2

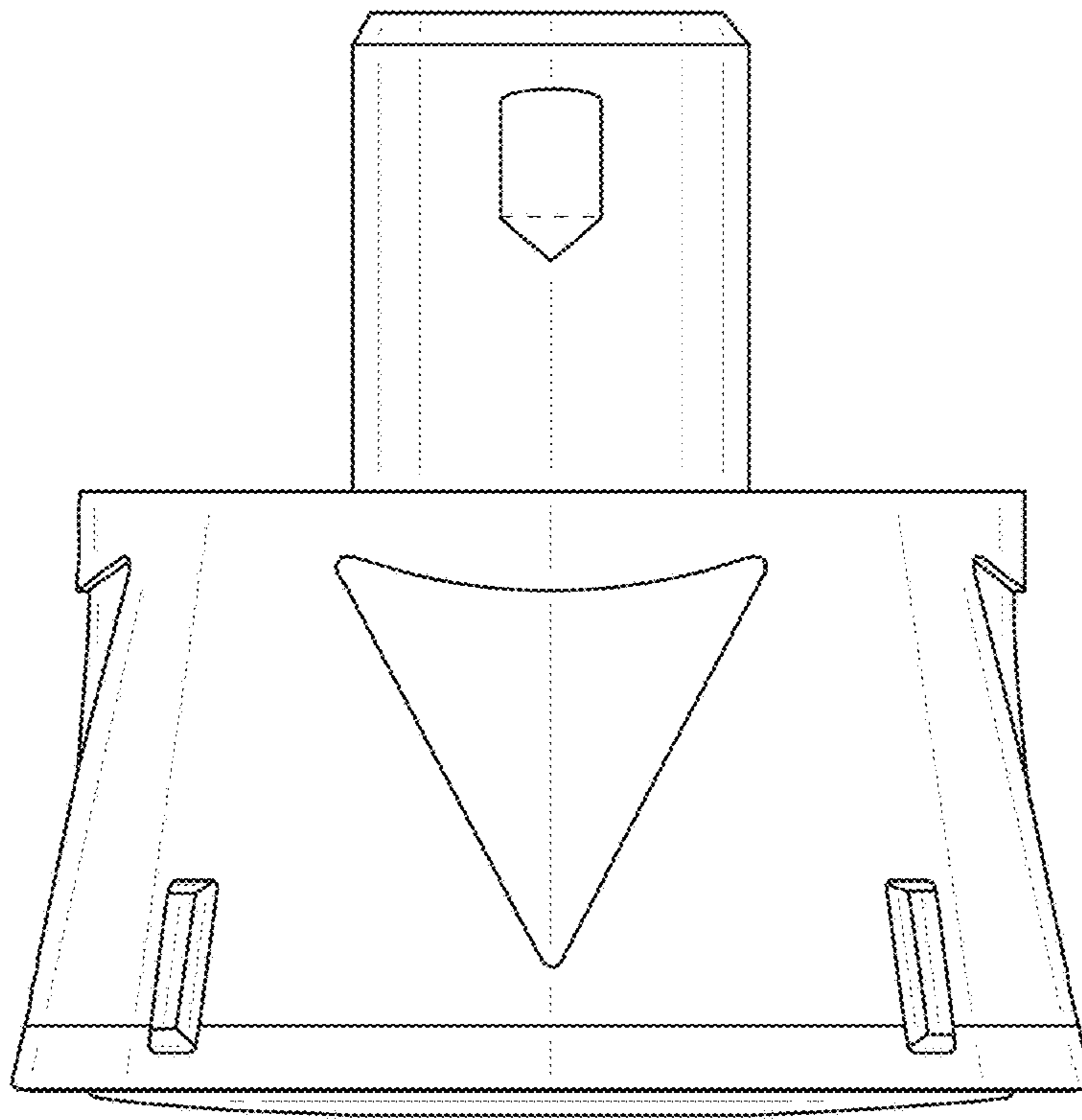


FIG. 3

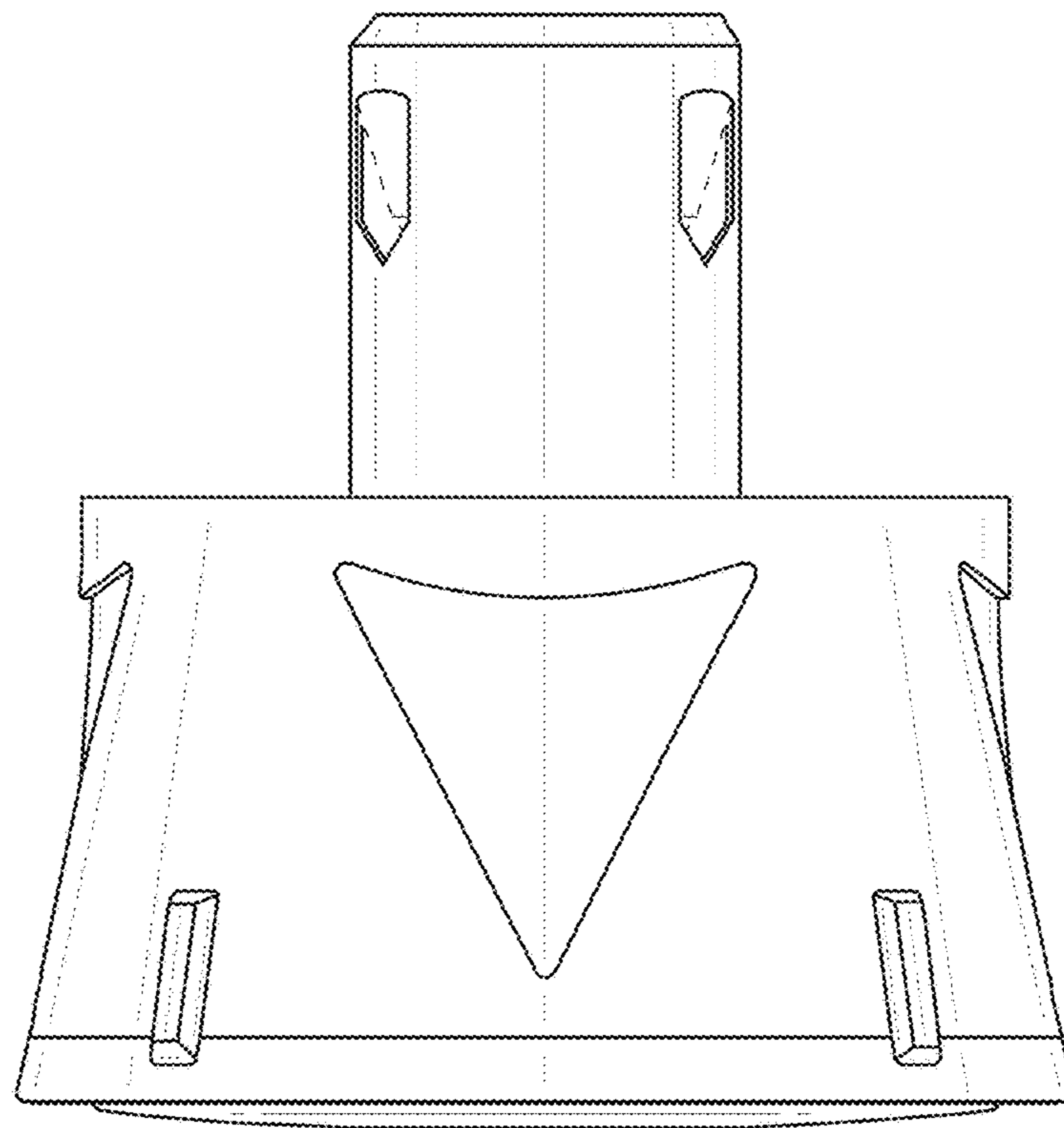


FIG. 4

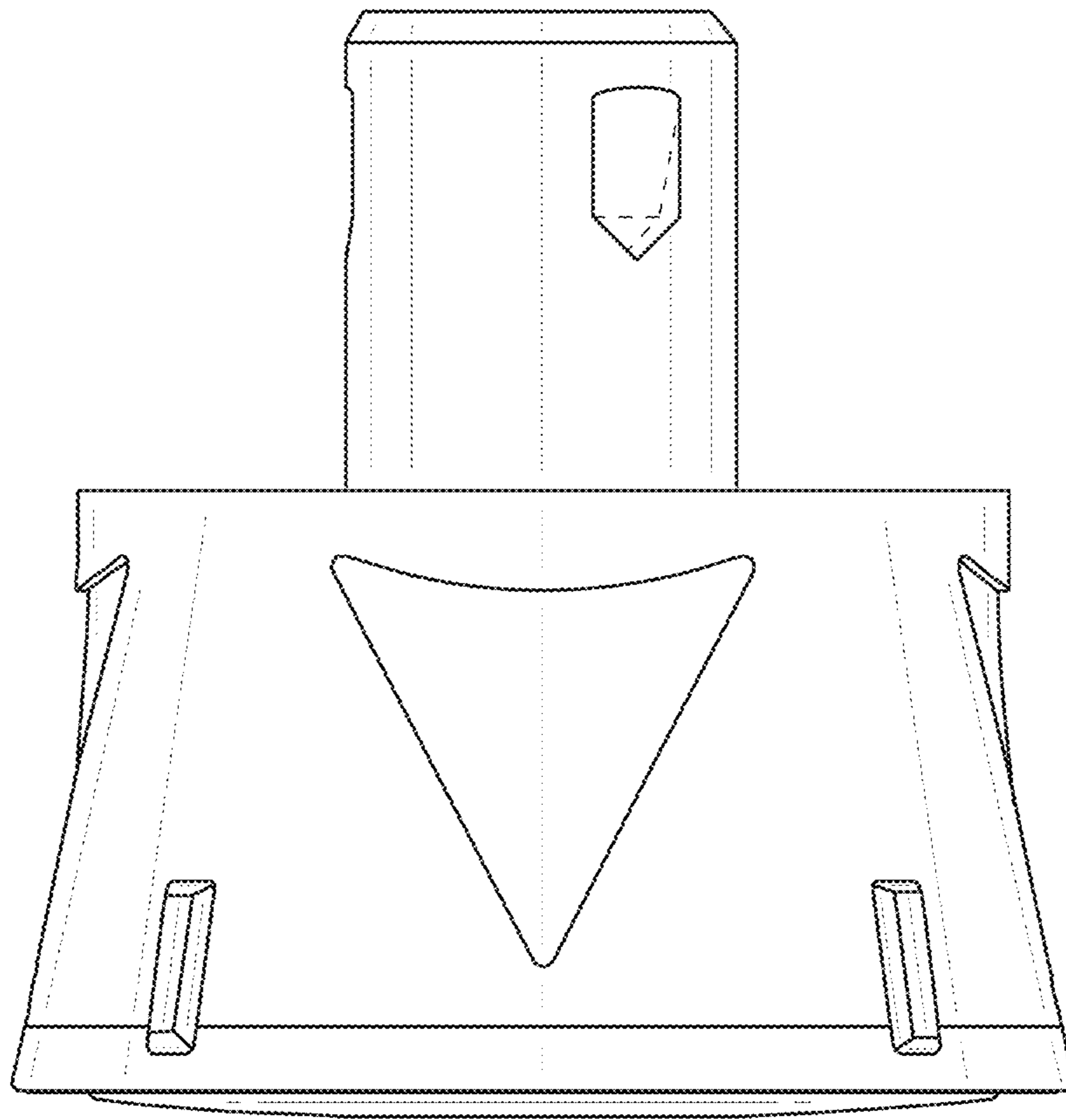


FIG. 5

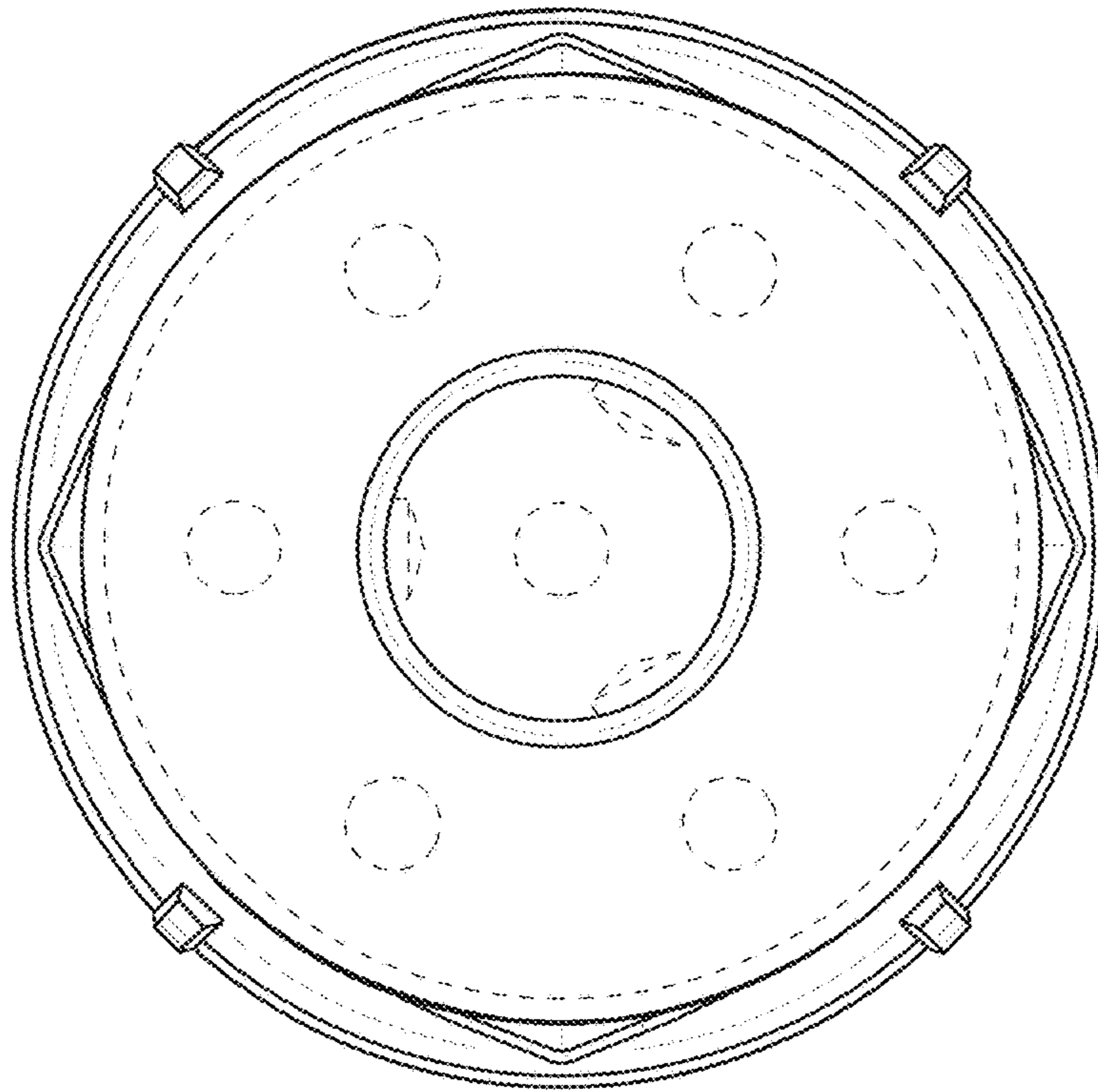


FIG. 6

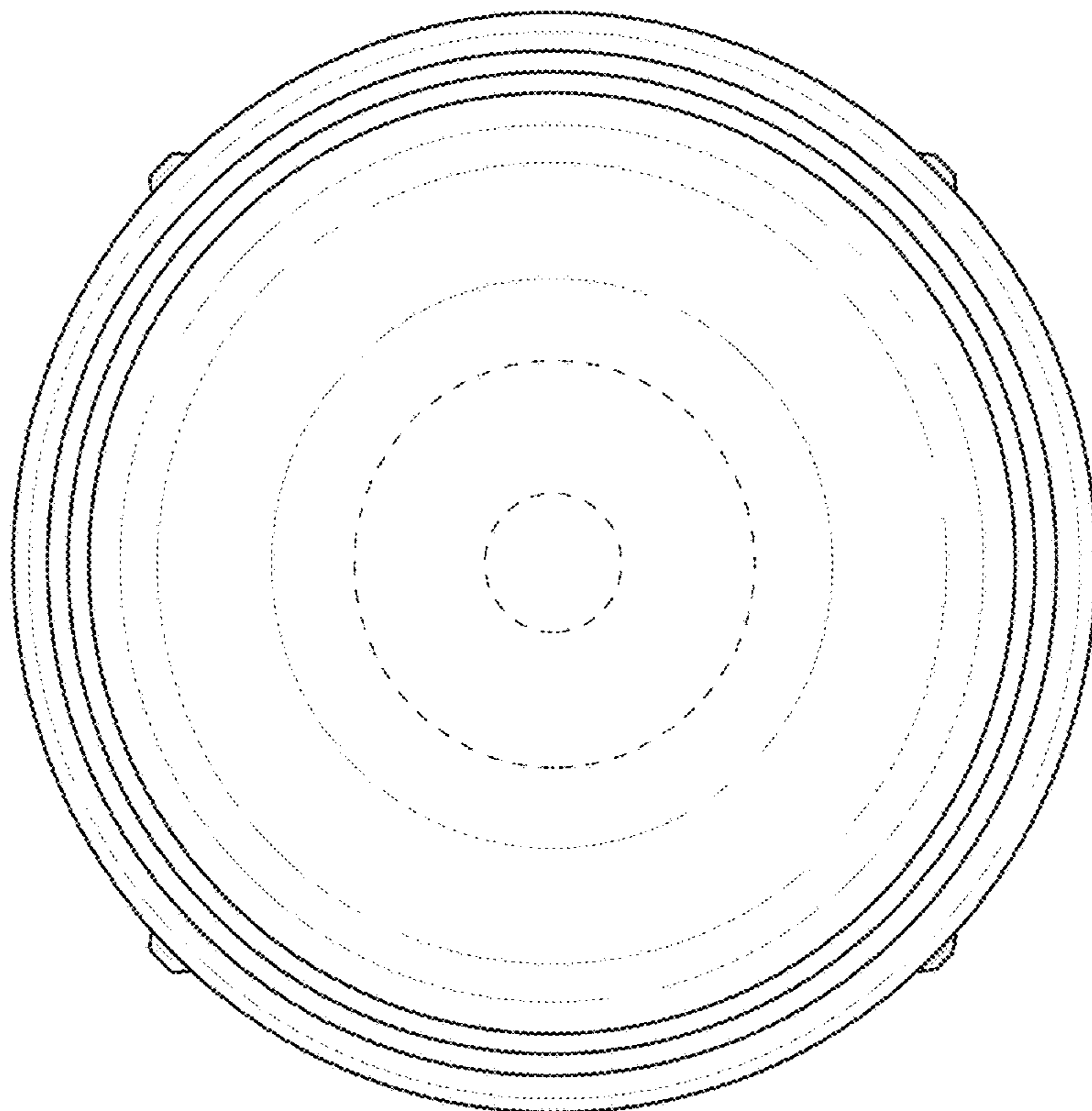


FIG. 7

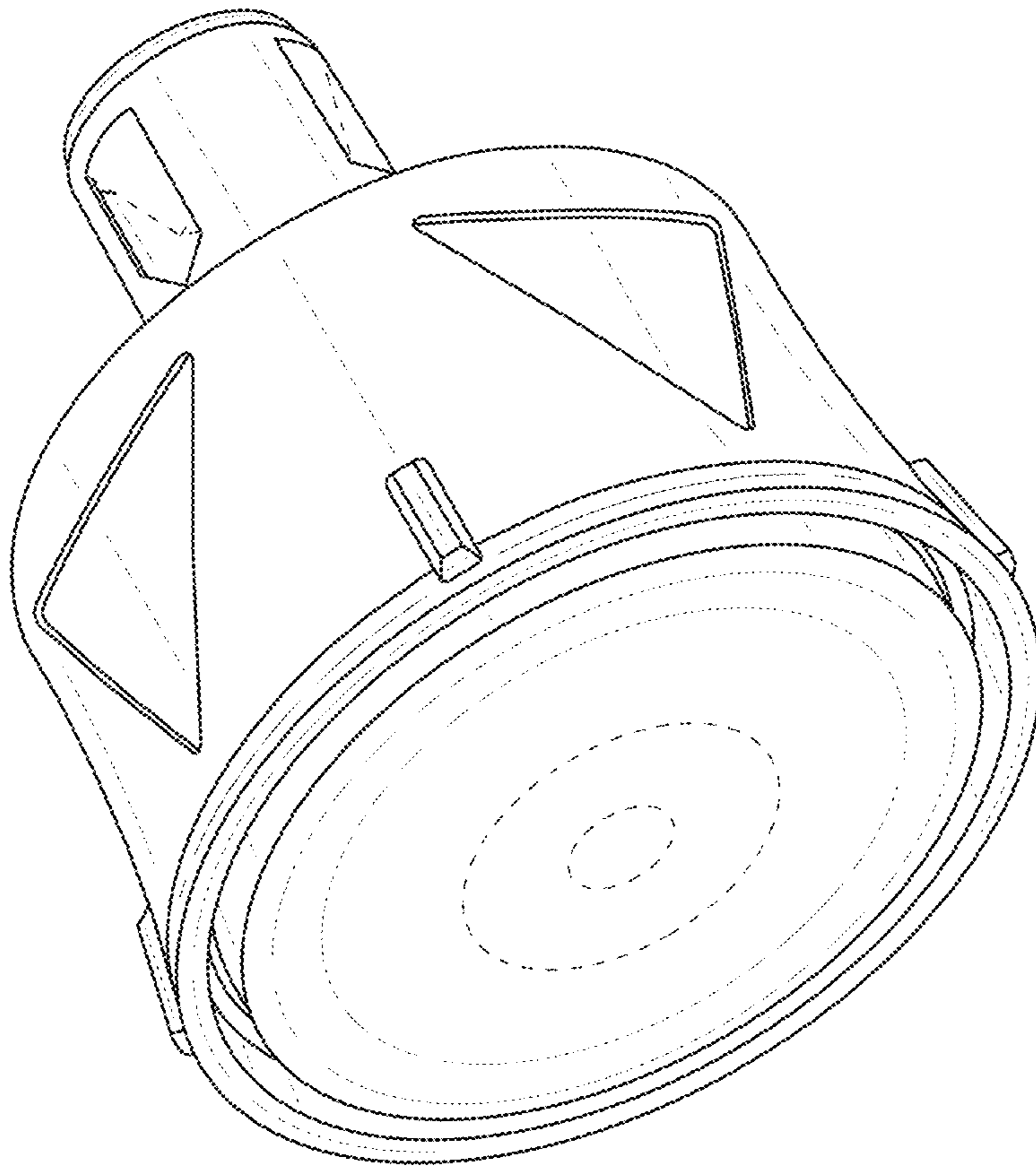


FIG. 8

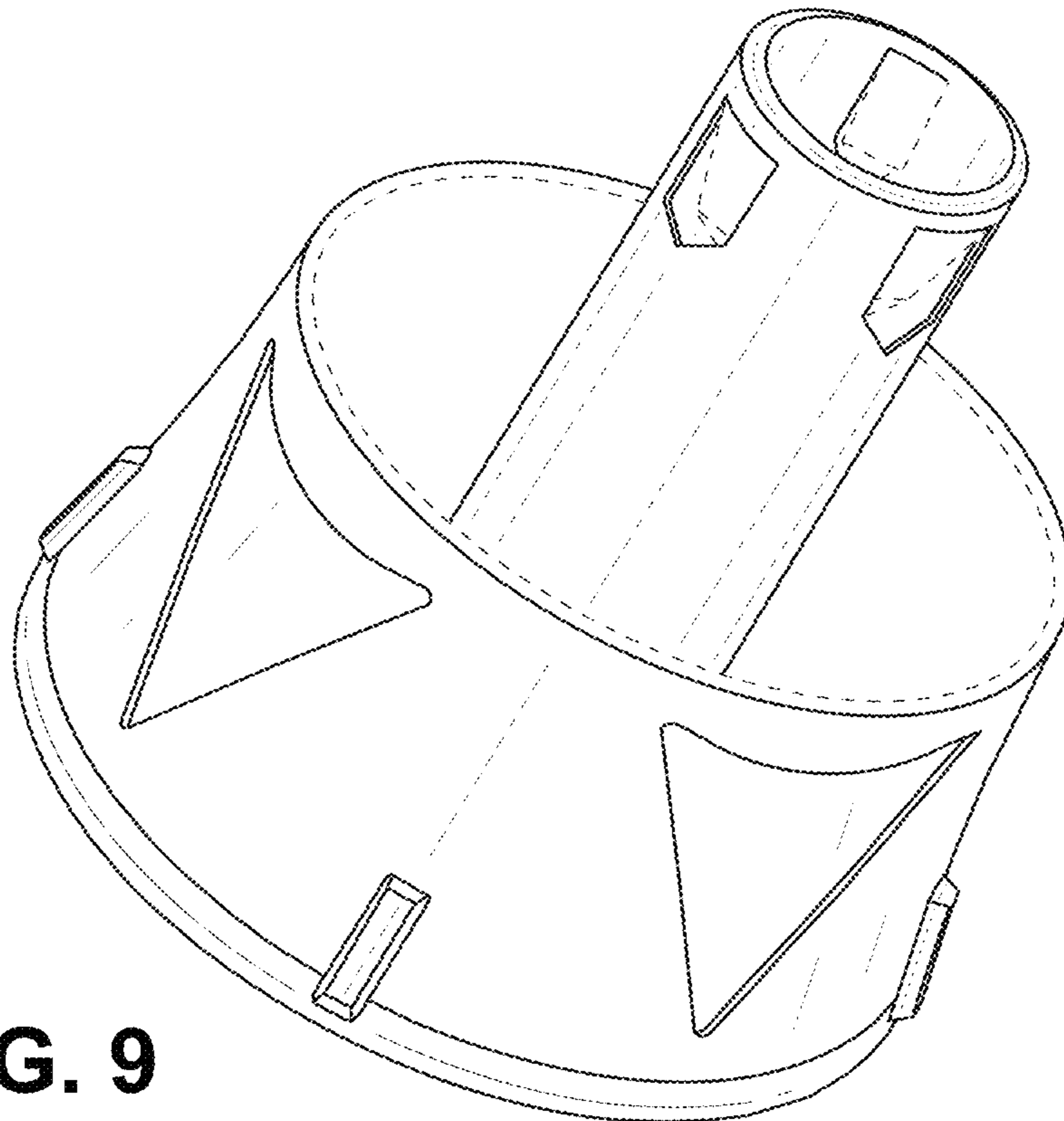


FIG. 9

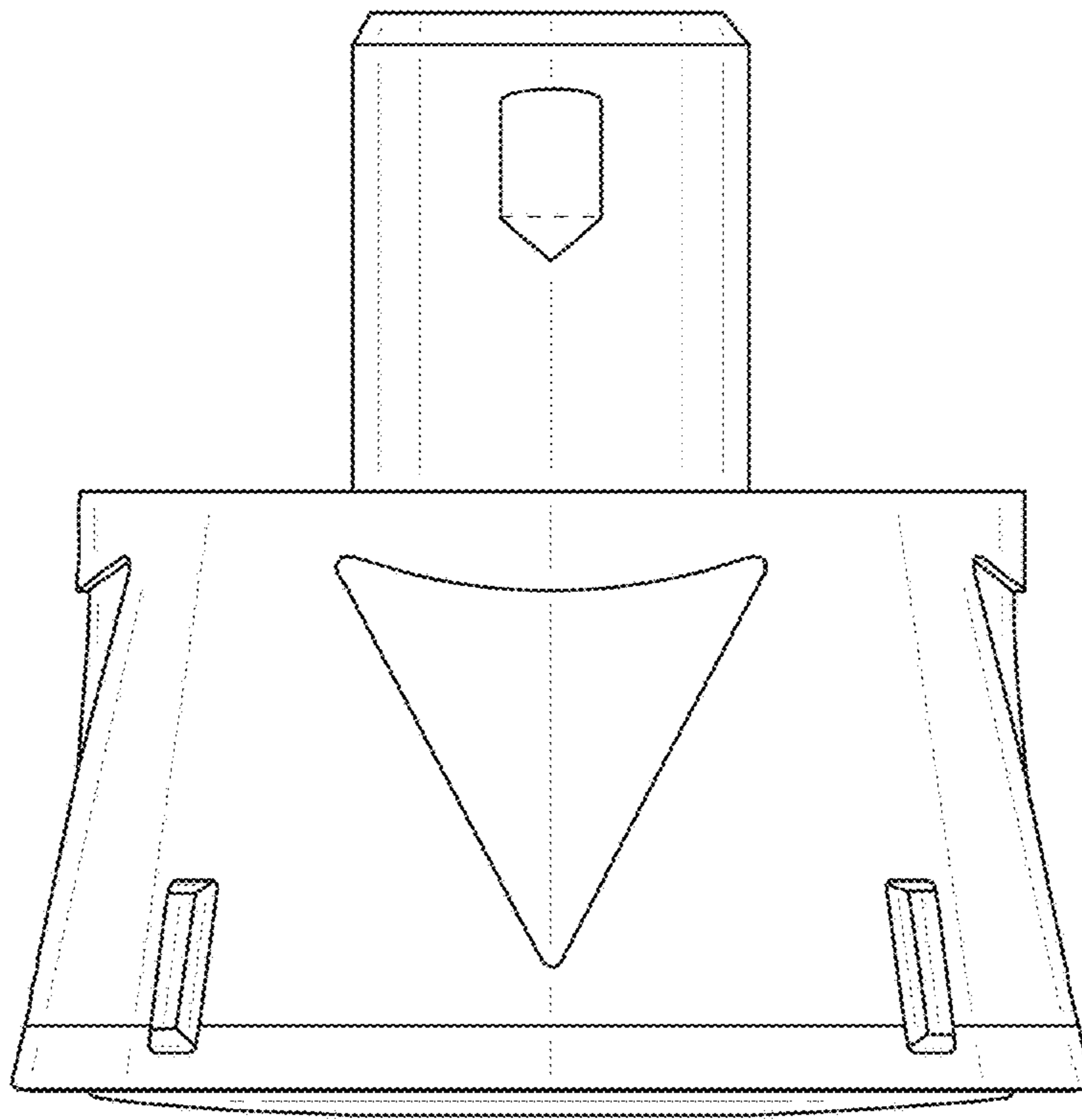


FIG. 10

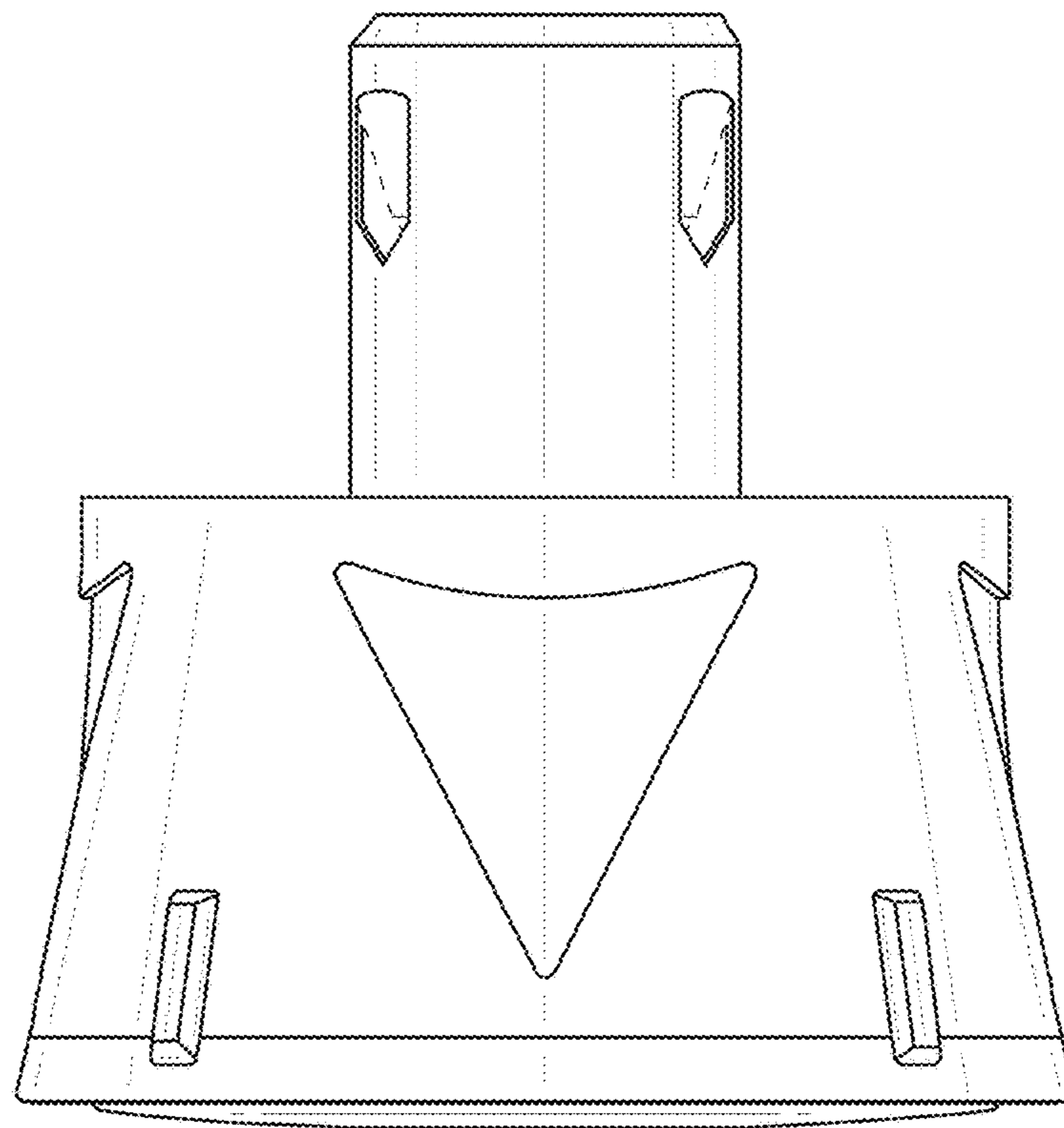


FIG. 11

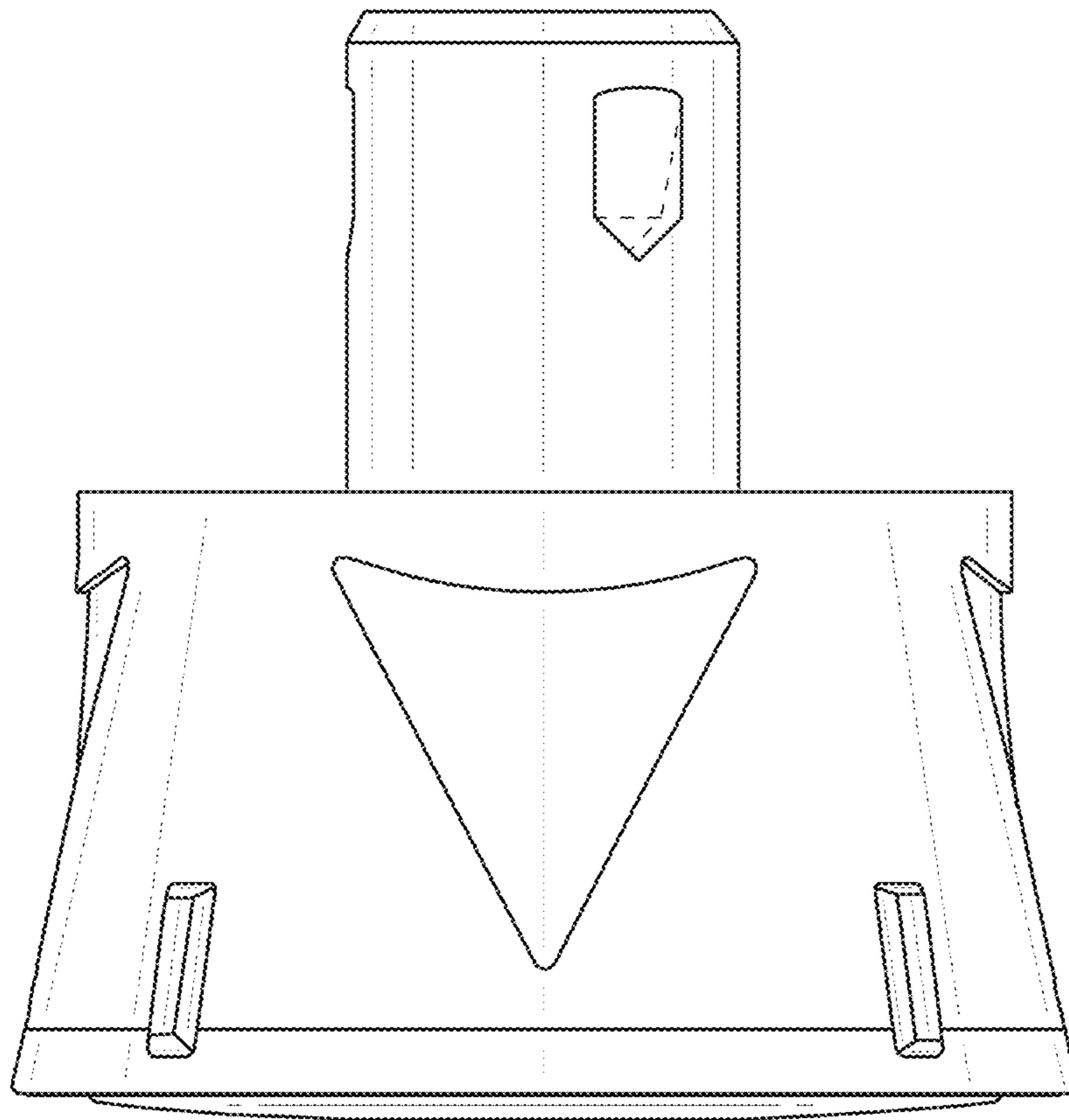


FIG. 12

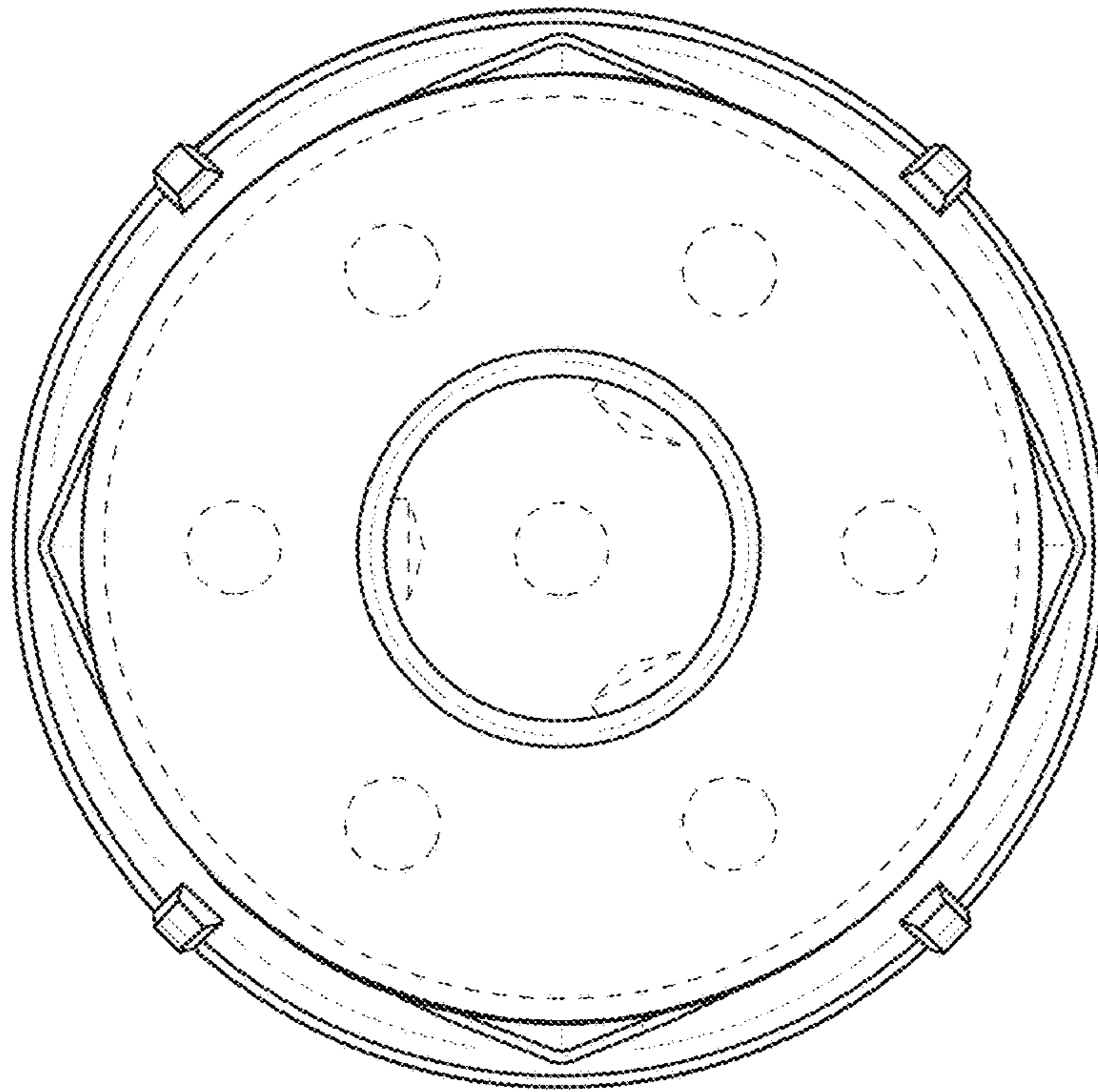


FIG. 13

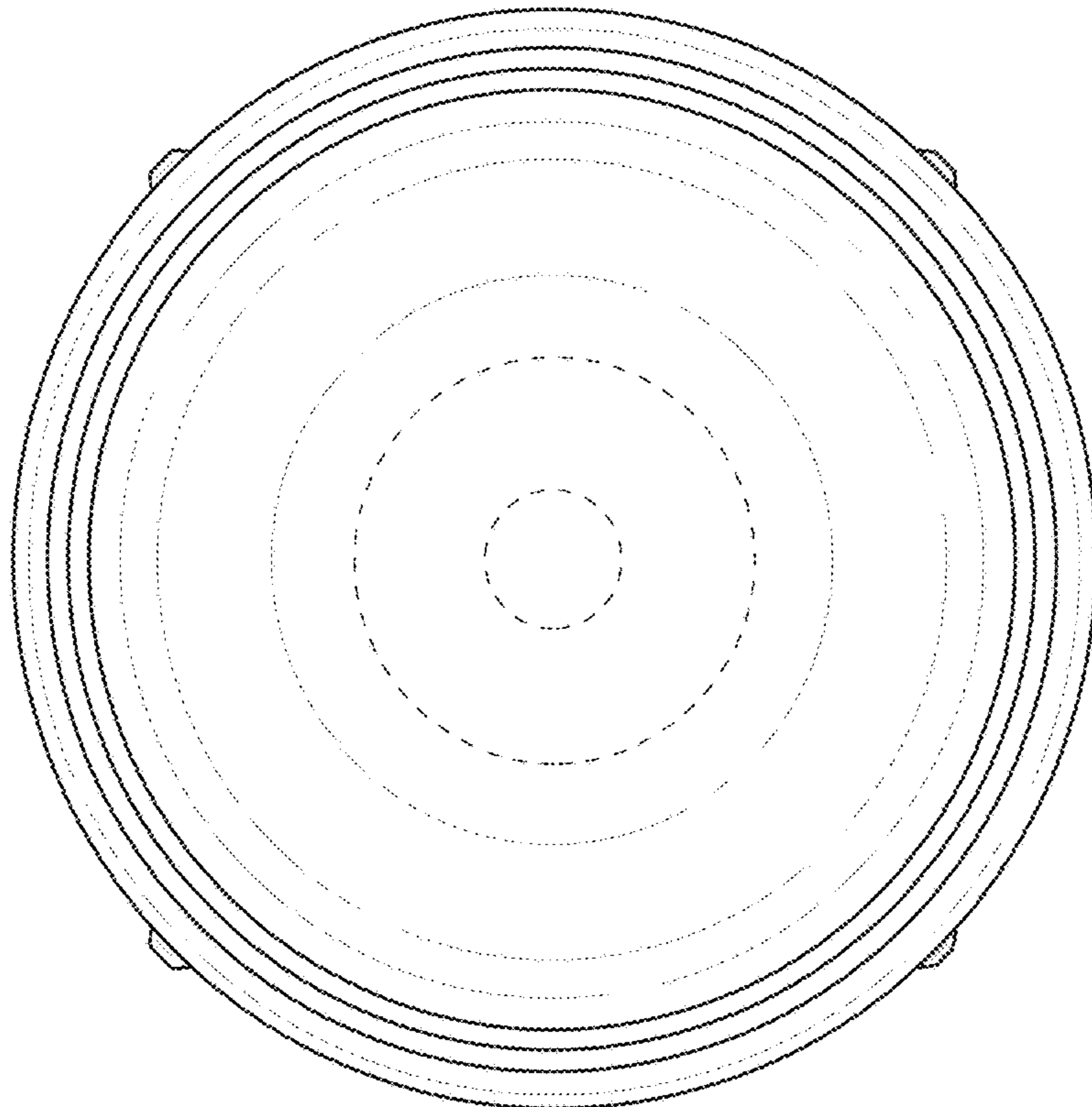


FIG. 14