



US00D901006S

(12) **United States Design Patent** (10) **Patent No.:** **US D901,006 S**
Bergeson (45) **Date of Patent:** **** Nov. 3, 2020**

(54) **DELIVERY TIP**

(71) Applicant: **ULTRADENT PRODUCTS, INC.**,
South Jordan, UT (US)

(72) Inventor: **Benjamin Halbert Bergeson**, Cedar
Hills, UT (US)

(73) Assignee: **Ultradent Products, Inc.**, South
Jordan, UT (US)

(**) Term: **15 Years**

(21) Appl. No.: **29/712,747**

(22) Filed: **Nov. 11, 2019**

Related U.S. Application Data

(60) Continuation of application No. 29/644,871, filed on
Apr. 20, 2018, now Pat. No. Des. 878,577, and a
division of application No. 29/573,628, filed on Aug.
8, 2016, now Pat. No. Des. 831,200.

(51) **LOC (12) Cl.** **24-01**

(52) **U.S. Cl.**
USPC **D24/129**

(58) **Field of Classification Search**
USPC D24/129, 112–114, 130, 104, 133, 186,
D24/108, 127; 606/181, 185; 604/264,
604/272, 115, 164.01–164.09, 533, 232,
604/187, 168.01, 192, 19, 48, 93.01, 523,
604/524, 526; 600/101, 139, 143;
128/200.24, 207.14, 207.15; 601/67
CPC A61J 1/2096; A61J 1/201; A61M 5/3202;
A61M 5/3213; A61M 5/344; A61M
2005/3104; A61M 2005/3106; A61M
2005/3109

See application file for complete search history.

(56) **References Cited**

U.S. PATENT DOCUMENTS

2,989,053 A	6/1961	Hamilton	
3,247,594 A	4/1966	Nosonowitz	
4,044,468 A	8/1977	Kahn	
D285,835 S *	9/1986	Hanses	D24/147
5,405,326 A	4/1995	Haber	
5,746,733 A	5/1998	Capaccio et al.	
5,919,182 A	7/1999	Avallone	
5,928,215 A	7/1999	Caizza et al.	
6,183,464 B1	2/2001	Sharp	
D452,003 S *	12/2001	Niermann	D24/112
6,616,632 B2	9/2003	Sharp	
6,637,470 B2	10/2003	Reihl	
D484,976 S	1/2004	Wilkinson	
D497,426 S	10/2004	Hirsch	
D553,567 S	10/2007	Kawanobe	
7,691,090 B2	4/2010	Belley	
D616,991 S	6/2010	Kitayama	

(Continued)

Primary Examiner — Nathan M Johnston

(74) *Attorney, Agent, or Firm* — Maschoff Brennan

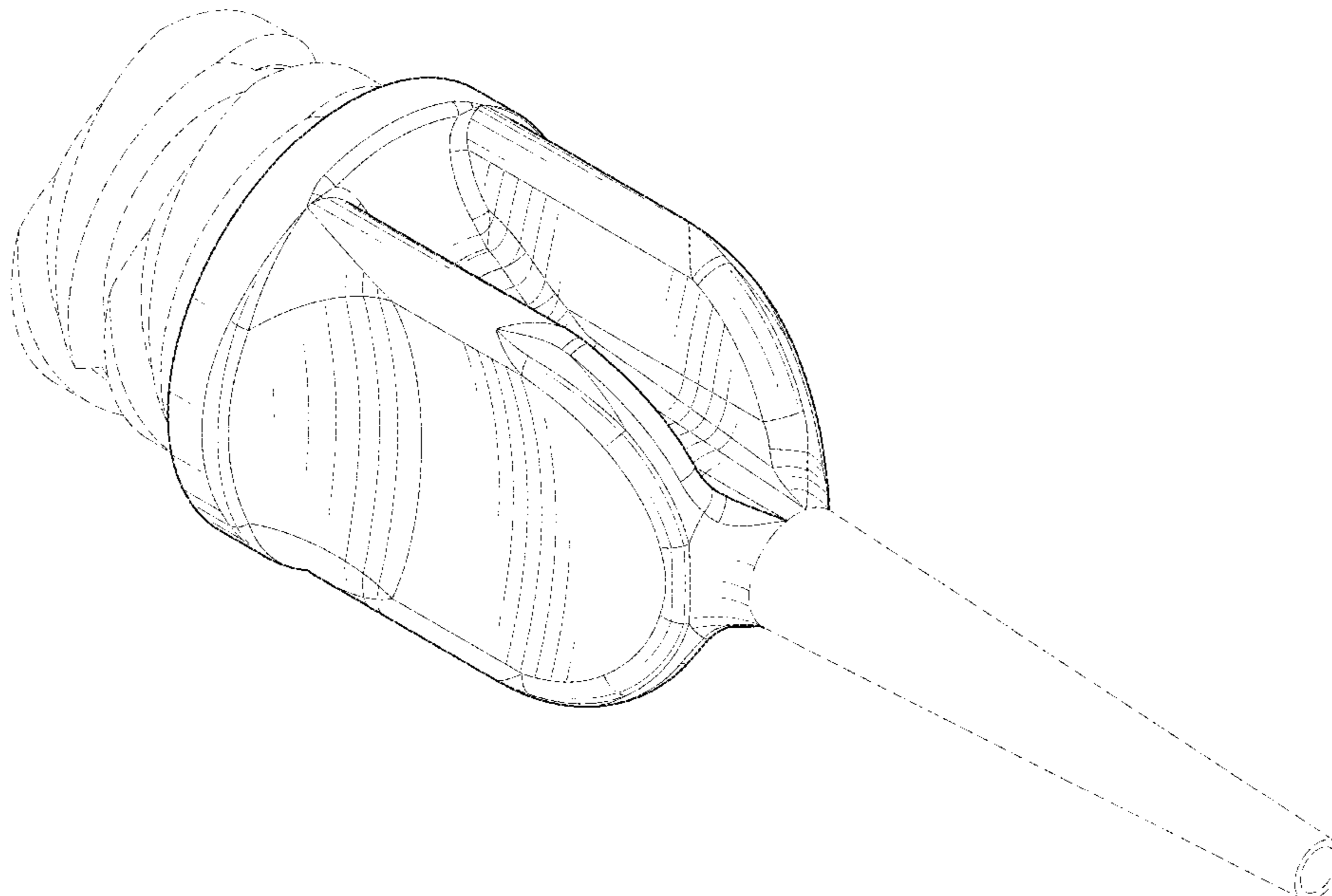
(57) **CLAIM**

The ornamental design for a portion of a delivery tip, as
shown and described.

DESCRIPTION

FIG. 1 is a perspective view of a delivery tip showing my
new design;
FIG. 2 is a front view of the delivery tip shown in FIG. 1;
FIG. 3 is a rear view of the delivery tip shown in FIG. 1;
FIG. 4 is a left view of the delivery tip shown in FIG. 1;
FIG. 5 is a right view of the delivery tip shown in FIG. 1;
FIG. 6 is a top view of the delivery tip shown in FIG. 1; and,
FIG. 7 is a bottom view of the delivery tip shown in FIG. 1.
The broken lines show portions of the design that form no
part of the claimed design.

1 Claim, 6 Drawing Sheets



(56)

References Cited

U.S. PATENT DOCUMENTS

D655,412 S	3/2012	Luk		D778,438 S	2/2017	Smith	
D684,258 S *	6/2013	Luethy	D24/112	D781,417 S	3/2017	Ingram	
D685,100 S *	6/2013	Shinohara	D24/186	D784,529 S	4/2017	Steele	
8,540,686 B2	9/2013	Steube		D785,782 S	5/2017	Chen	
D720,452 S	12/2014	Jordan		D791,941 S	7/2017	Burachynsky	
D722,156 S	2/2015	Wiegel		D792,584 S	7/2017	Ingram	
D742,007 S *	10/2015	Schuetz	D24/152	D792,586 S	7/2017	Becker	
D748,777 S	2/2016	Uenishi		D793,553 S	8/2017	Stillson	
D748,780 S	2/2016	Zhang		D794,177 S	8/2017	Lebedenko	
D748,781 S	2/2016	Zhang		D797,927 S	9/2017	Schuessler	
D748,782 S	2/2016	Zhang		D804,023 S *	11/2017	Huang	D24/130
D750,223 S	2/2016	Andino		D804,660 S	12/2017	Shoji	
D750,258 S	2/2016	Crossley		D831,200 S	10/2018	Bergeson	
D751,195 S *	3/2016	Lai	D24/133	D843,567 S *	3/2019	Gloria Bello	D24/129
D752,214 S	3/2016	Limaye		D844,780 S	4/2019	White	
D753,288 S	4/2016	Vallotton		D854,147 S	7/2019	Funakoshi	
D757,259 S	5/2016	Duck		D862,692 S *	10/2019	Leon Rovira	D24/127
D759,243 S	6/2016	Molenschot		D873,997 S *	1/2020	Ljunglof	D24/130
D767,128 S	9/2016	DeBartola		D878,577 S	3/2020	Bergeson	
D767,159 S	9/2016	Maas		2005/0021000 A1	1/2005	Adair	
D768,852 S	10/2016	Rozwadowski		2013/0264821 A1 *	10/2013	Duck	F16L 37/02 285/397
D773,655 S *	12/2016	Hofstetter	D24/127	2016/0089528 A1 *	3/2016	Schuessler	A61M 39/10 604/535

* cited by examiner

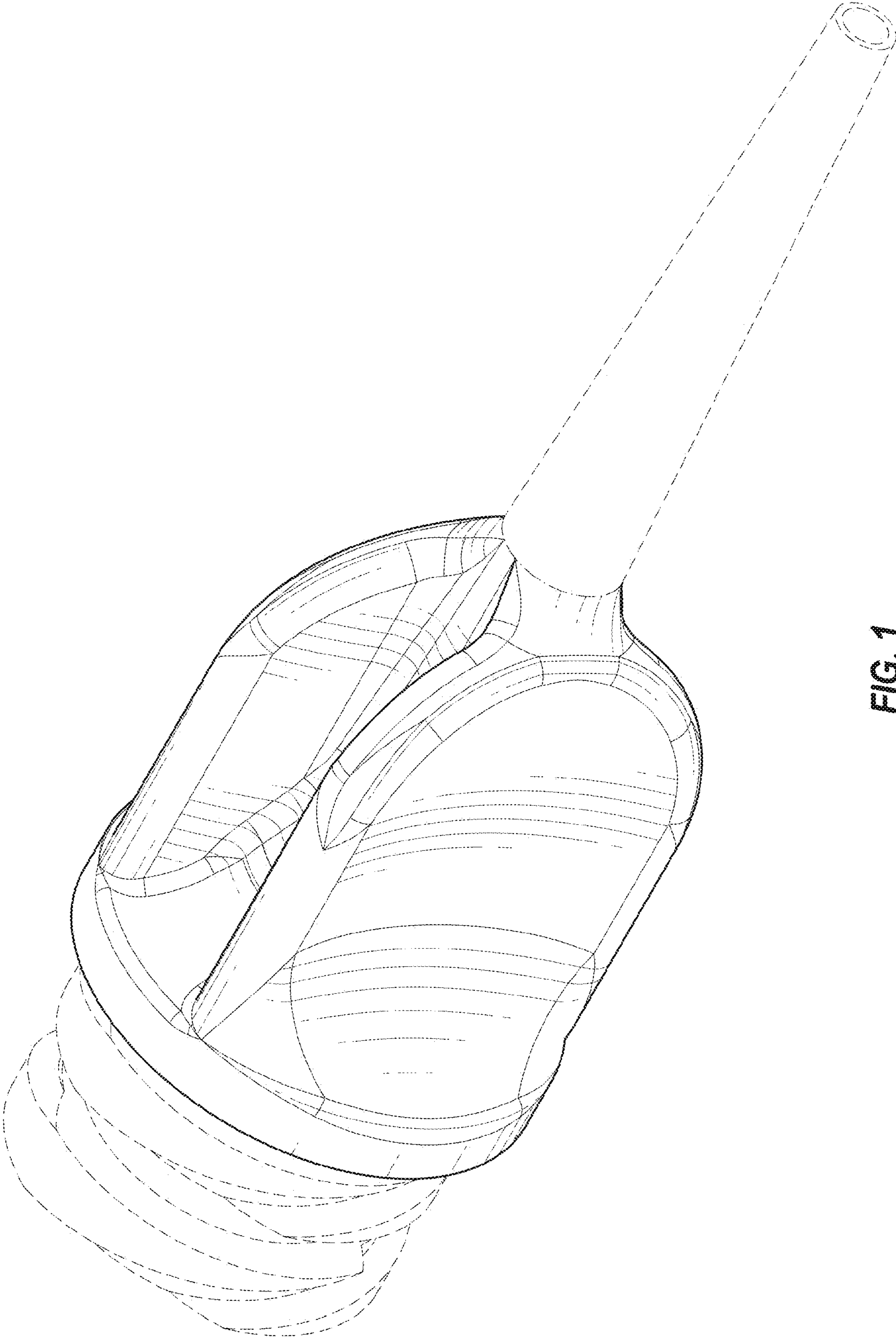


FIG. 1

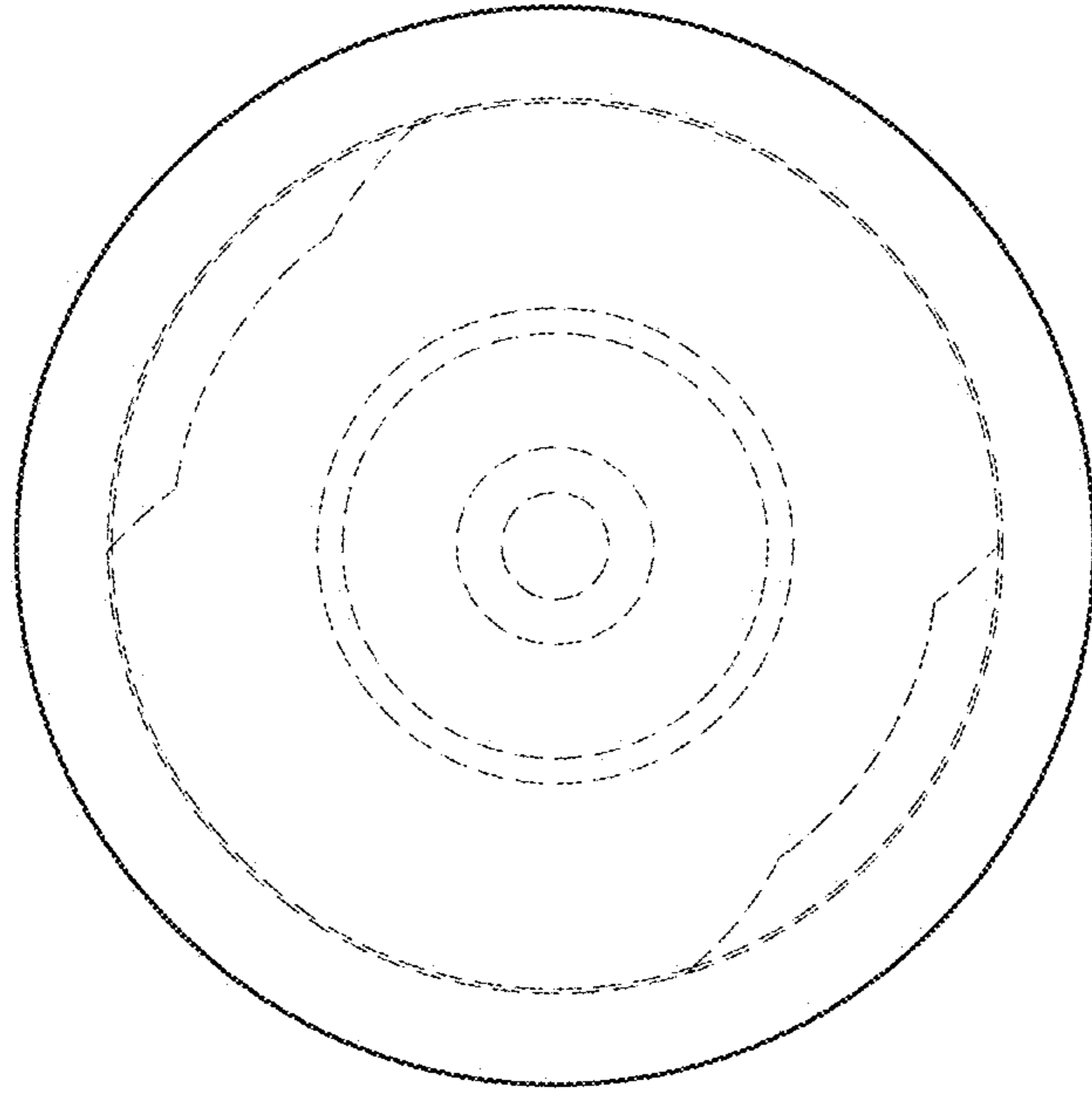


FIG. 3

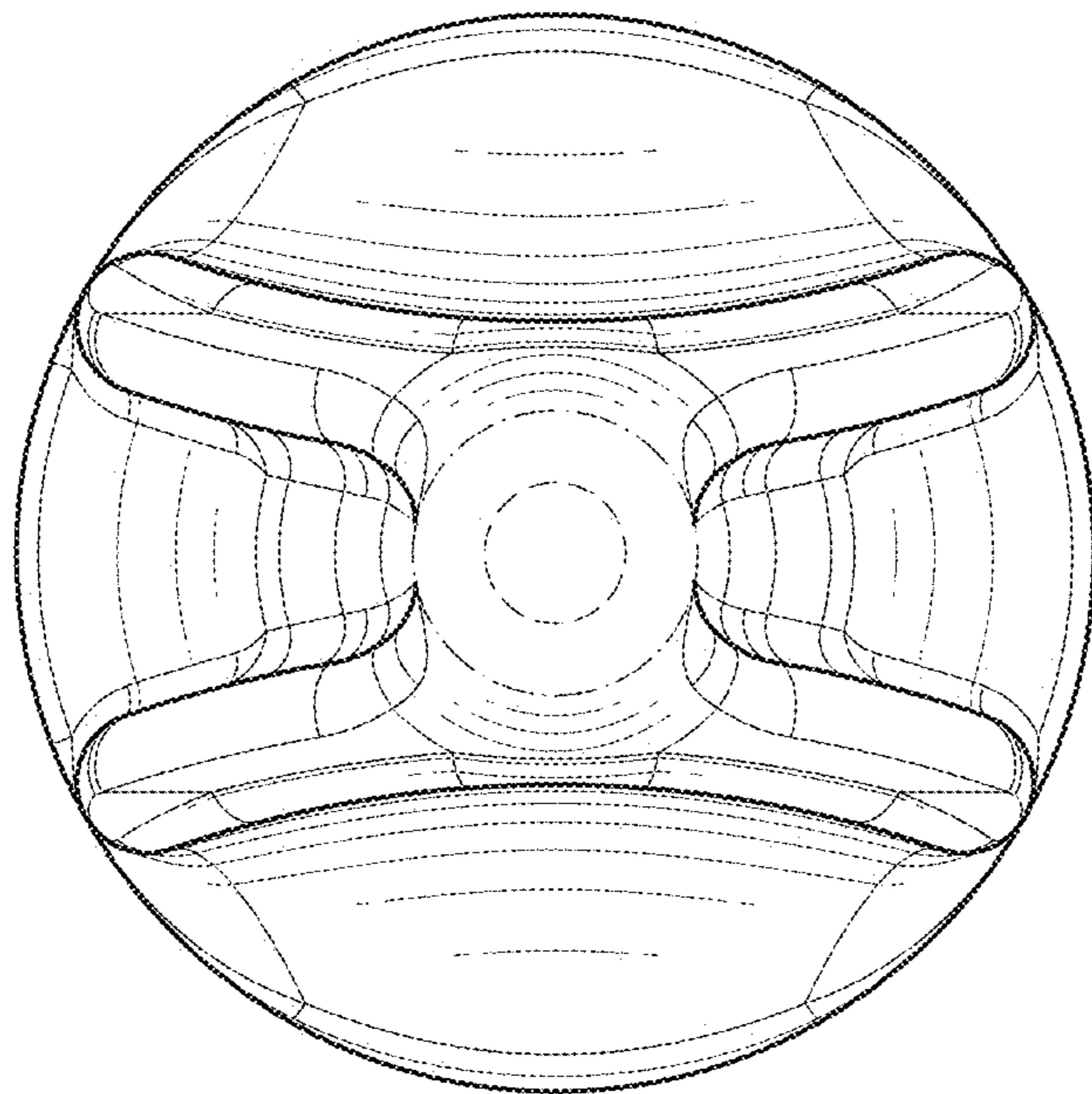


FIG. 2

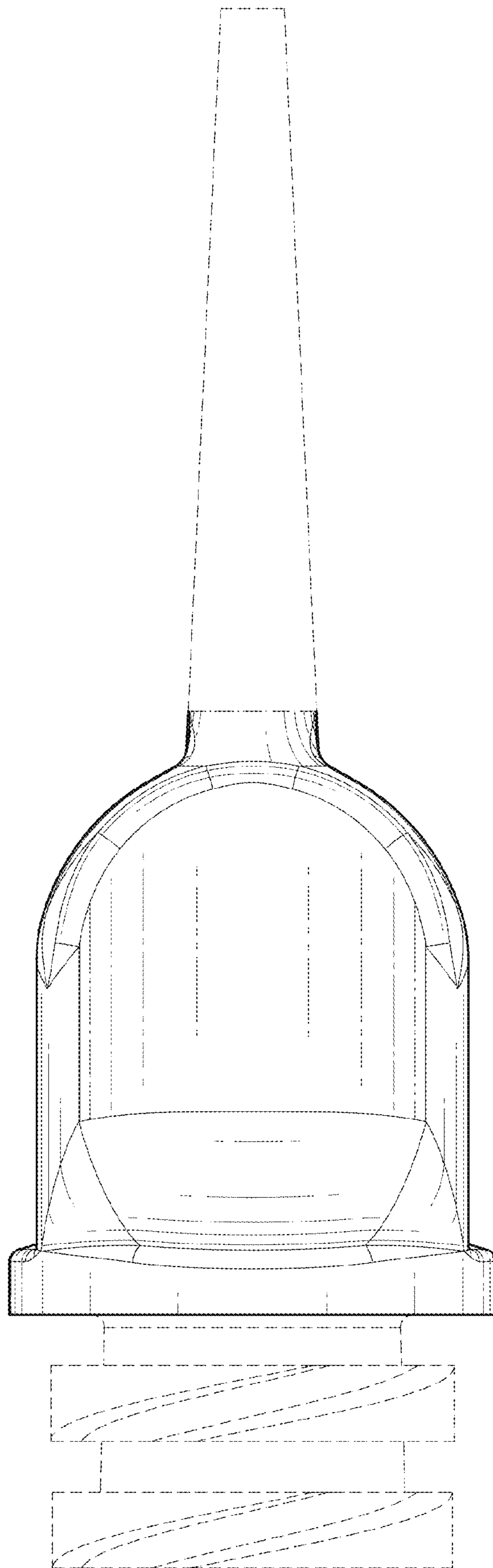


FIG. 4

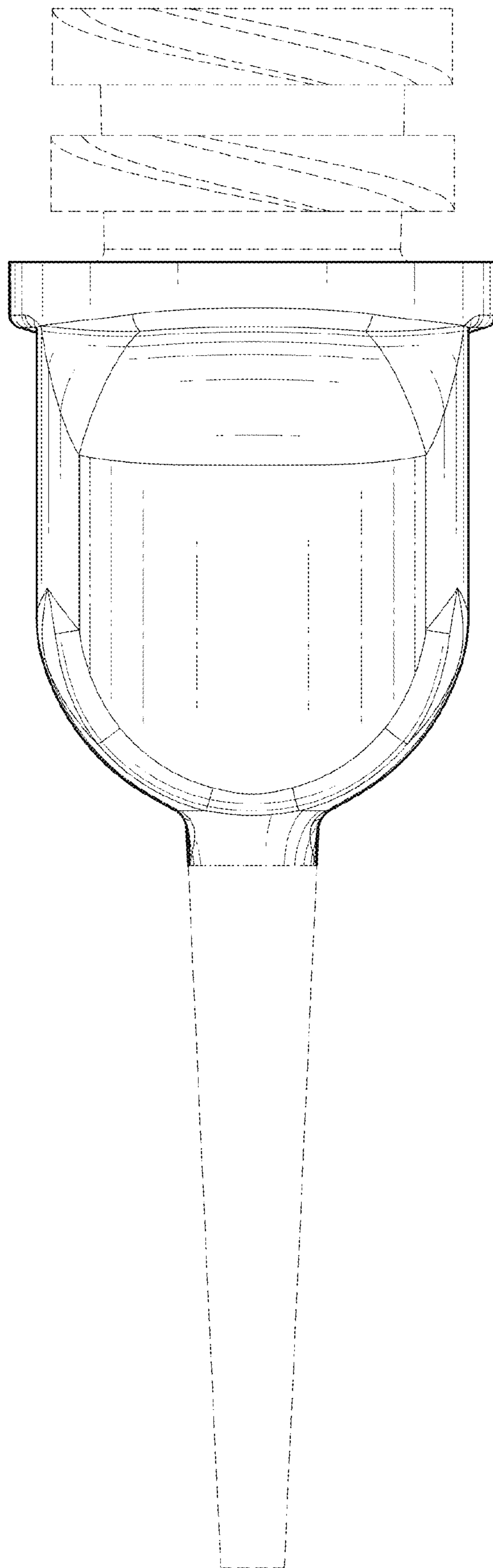


FIG. 5

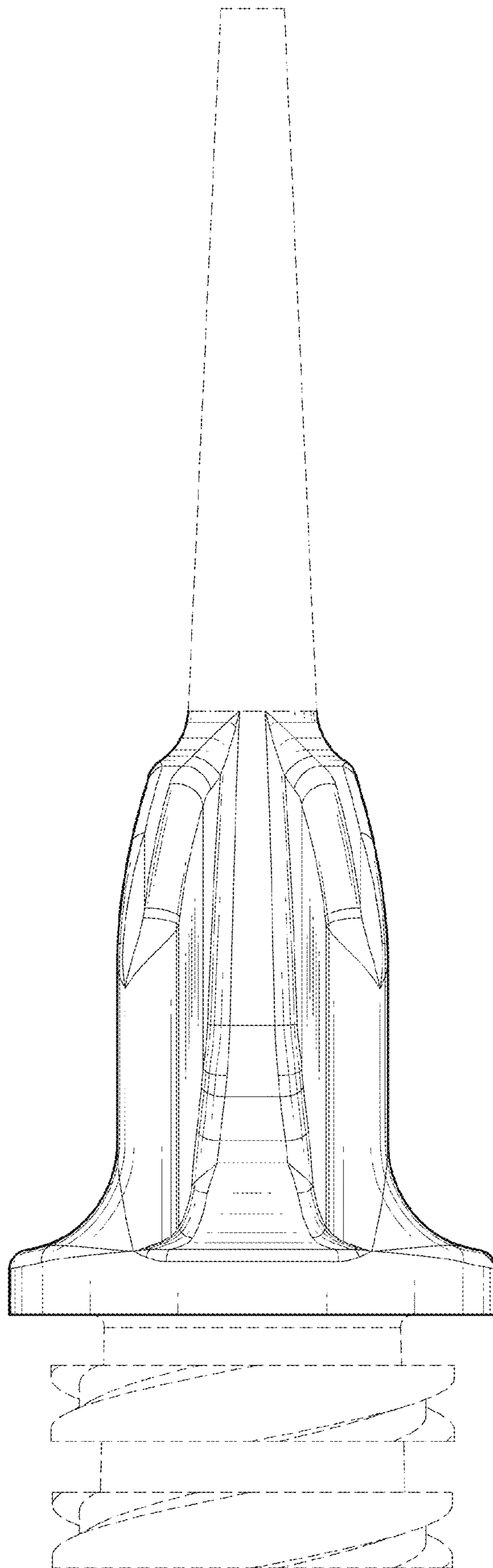


FIG. 6

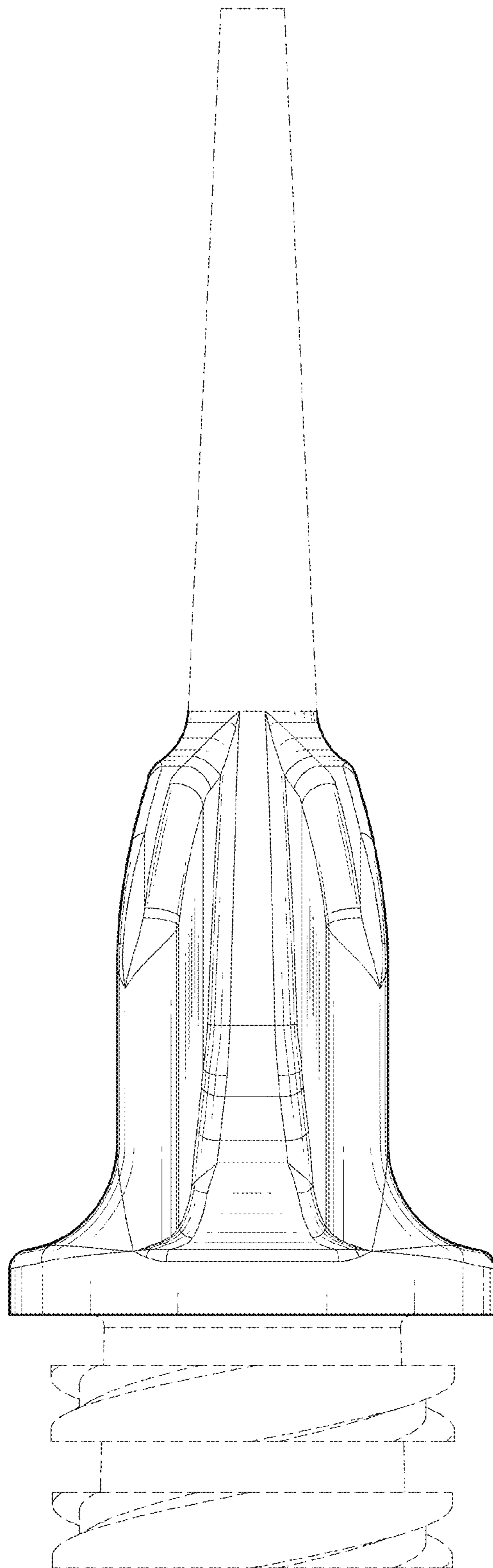


FIG. 7