



US00D901005S

(12) **United States Design Patent** (10) **Patent No.:** **US D901,005 S**  
**Guala** (45) **Date of Patent:** **\*\* Nov. 3, 2020**

(54) **CONNECTOR FOR MEDICAL LINES** 8,795,309 B2 \* 8/2014 Lacy ..... A61M 5/158  
604/93.01  
(71) Applicant: **INDUSTRIE BORLA S.p.A.**, D714,935 S \* 10/2014 Nishioka ..... D24/130  
Moncalieri (Turin) (IT) D750,775 S \* 3/2016 Carrel ..... D24/130  
D830,523 S \* 10/2018 Vranish ..... D23/262  
(72) Inventor: **Gianni Guala**, Turin (IT) D830,524 S \* 10/2018 Vranish ..... D23/262  
D838,363 S \* 1/2019 Katagiri ..... D24/127  
(73) Assignee: **INDUSTRIE BORLA S.p.A.**, D841,499 S \* 2/2019 Drewes ..... D10/81  
Moncalieri (Torino) (IT) D858,756 S \* 9/2019 Katagiri ..... D24/130  
D864,381 S \* 10/2019 Miles ..... D24/112

(\*\*) Term: **15 Years**

\* cited by examiner

(21) Appl. No.: **29/667,885**

*Primary Examiner* — David G Muller

(22) Filed: **Oct. 25, 2018**

(74) *Attorney, Agent, or Firm* — Heslin Rothenberg  
Farley & Mesiti P.C.; Victor A. Cardona, Esq.

(30) **Foreign Application Priority Data**

Apr. 27, 2018 (EM) ..... 005250875-0002

(51) **LOC (12) Cl.** ..... **24-02**

(52) **U.S. Cl.**  
USPC ..... **D24/112**

(58) **Field of Classification Search**  
USPC ..... D24/112–114, 108, 130, 127, 133, 186;  
606/181, 185; 604/264, 523–528, 272,  
604/164.01–164.11, 187, 93.01; 600/101,  
600/139, 143; 128/200.24, 207.14,  
128/207.15

CPC .. A61M 25/065; A61M 5/42; A61M 25/0612;  
A61M 25/00; A61M 39/00; A61M 27/00;  
A61M 25/0043; A61M 25/0067; A61M  
25/0097; A61F 2/958

See application file for complete search history.

(56) **References Cited**

**U.S. PATENT DOCUMENTS**

D413,976 S \* 9/1999 Dinkler ..... D24/127  
D675,729 S \* 2/2013 Wang ..... D24/108

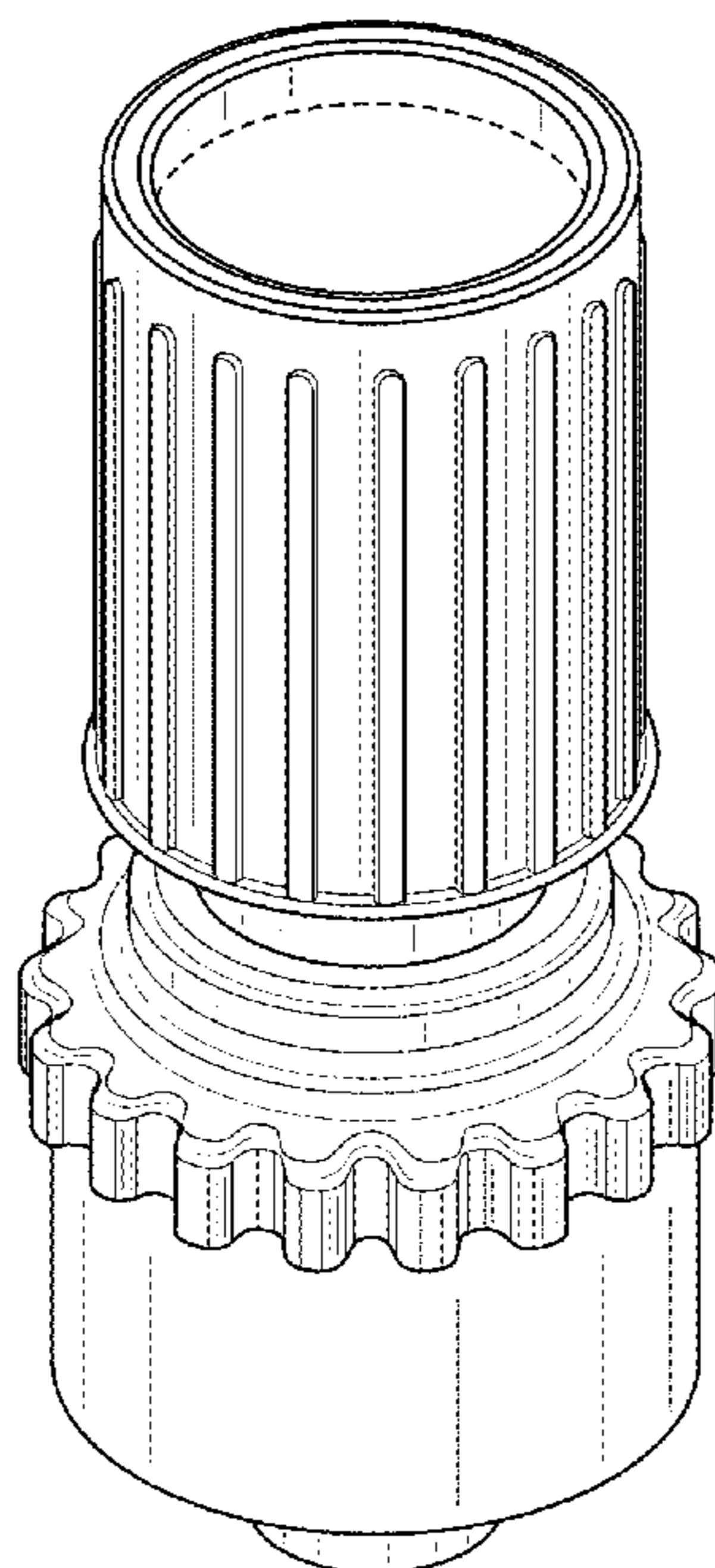
(57) **CLAIM**

I claim the ornamental design for a connector for medical lines, as shown and described.

**DESCRIPTION**

FIG. 1 shows a perspective view of a connector for medical lines showing the new design;  
FIG. 2 shows a right side view thereof;  
FIG. 3 shows a left side view thereof;  
FIG. 4 shows a front view thereof;  
FIG. 5 shows a rear view thereof;  
FIG. 6 shows a top plan view thereof; and,  
FIG. 7 shows a bottom plan view thereof.  
The broken line showing of parts of the drawings is included for the purpose of illustrating use and environment and forms no part of the claimed design.

**1 Claim, 7 Drawing Sheets**



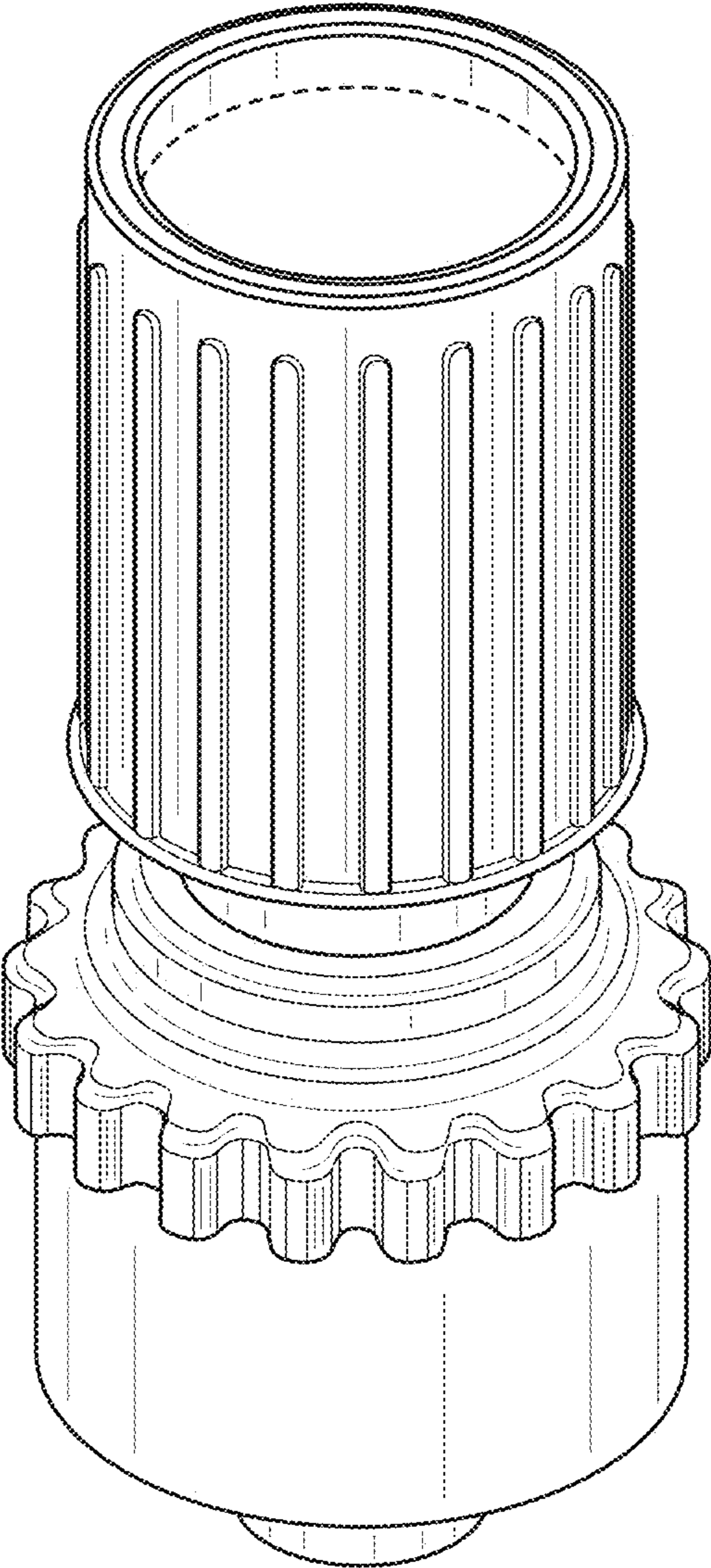


FIG. 1

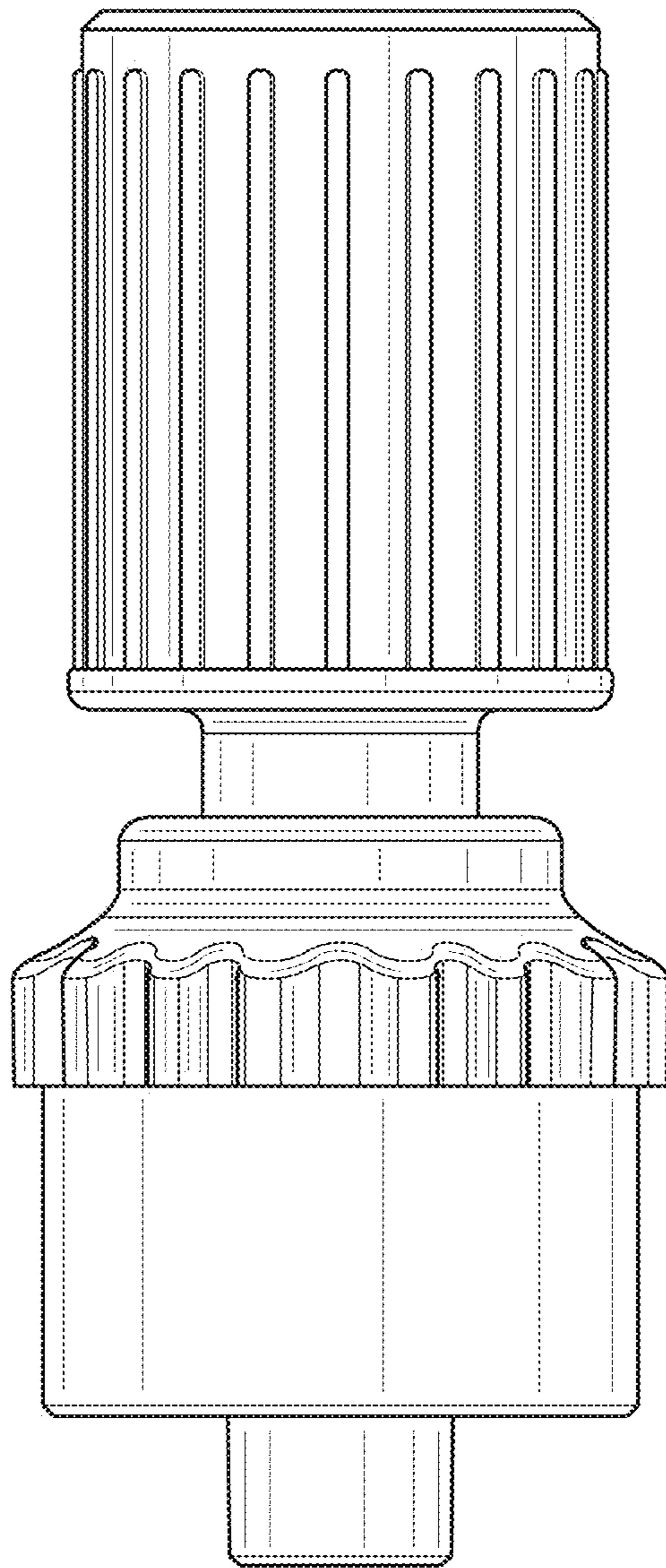


FIG. 2

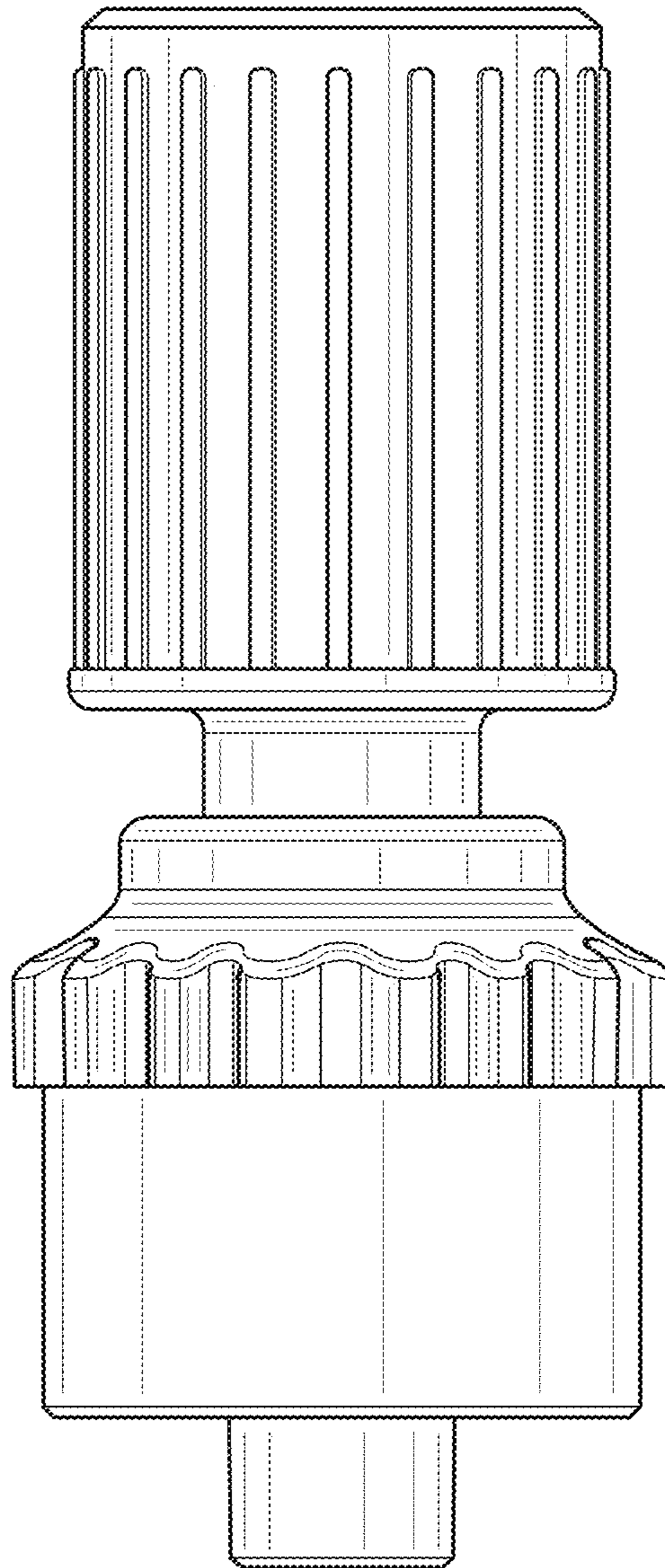


FIG. 3



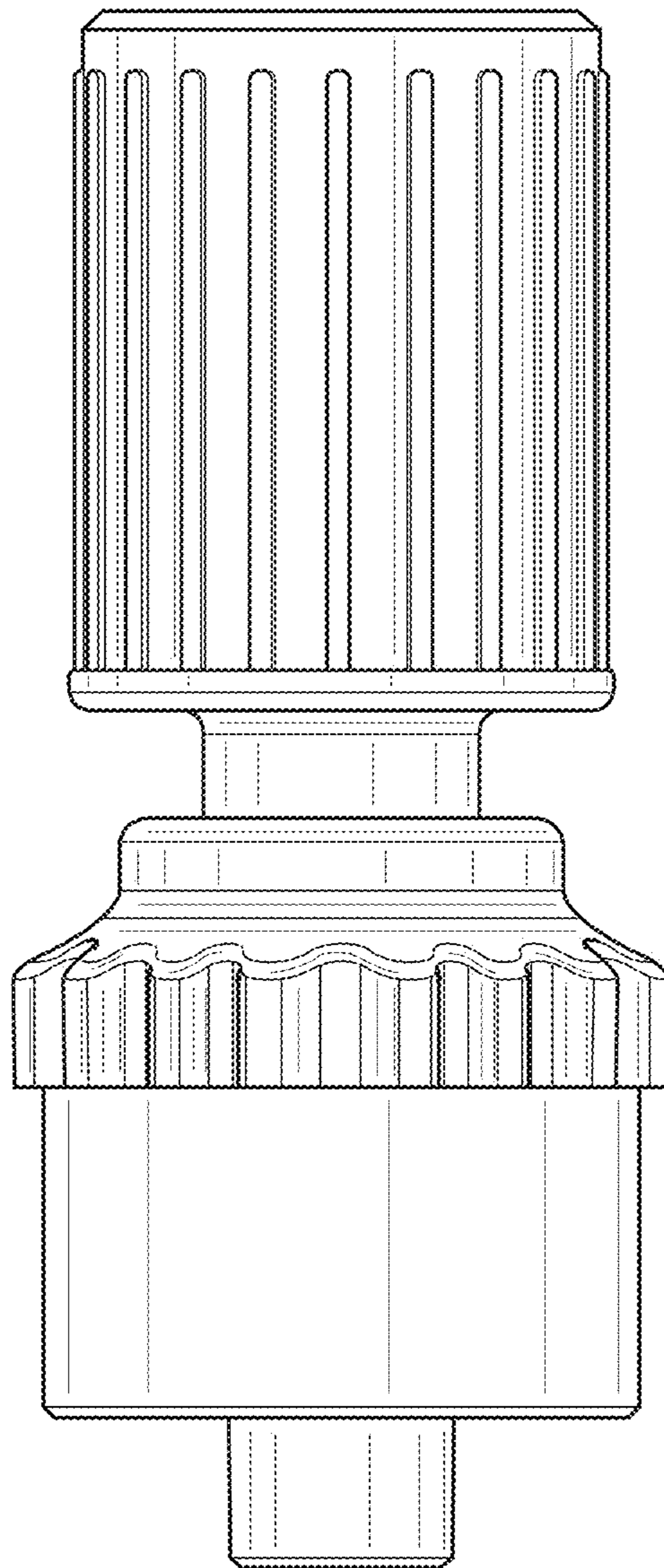


FIG. 4

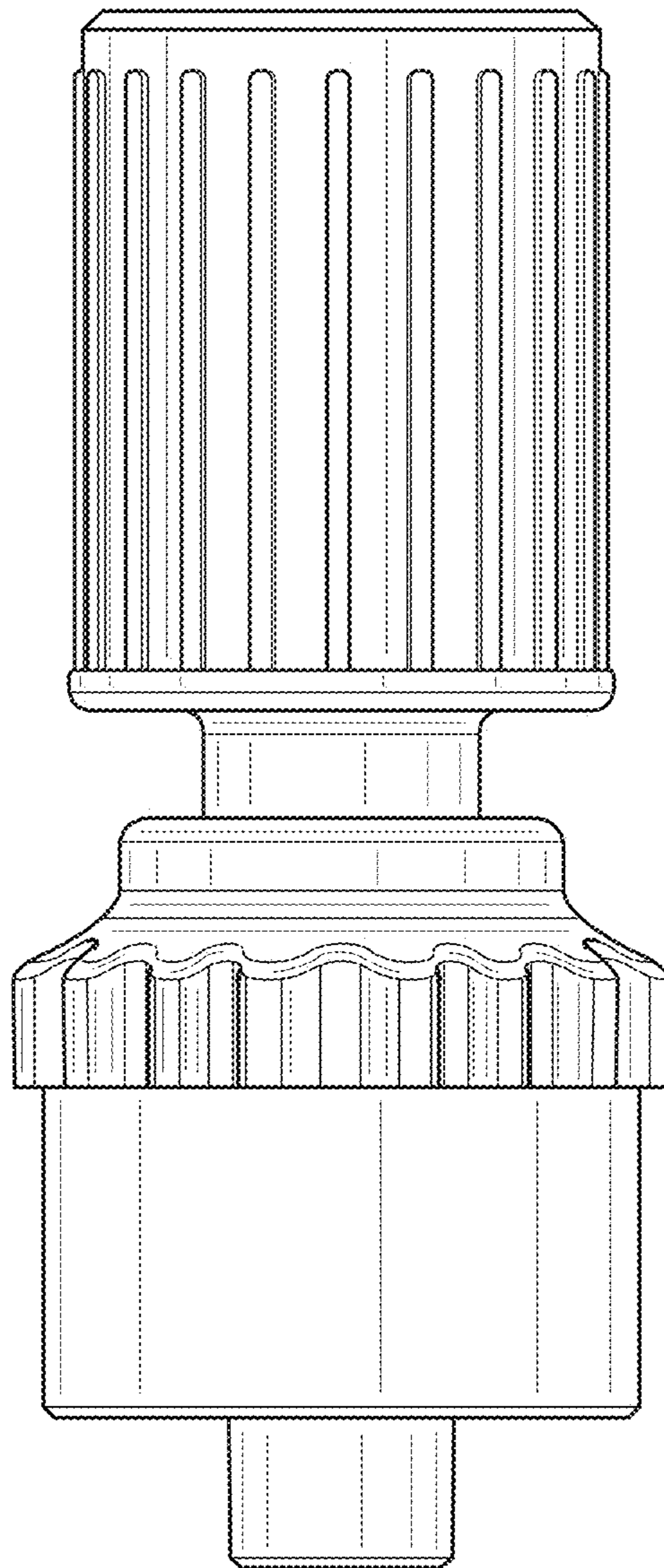


FIG. 5

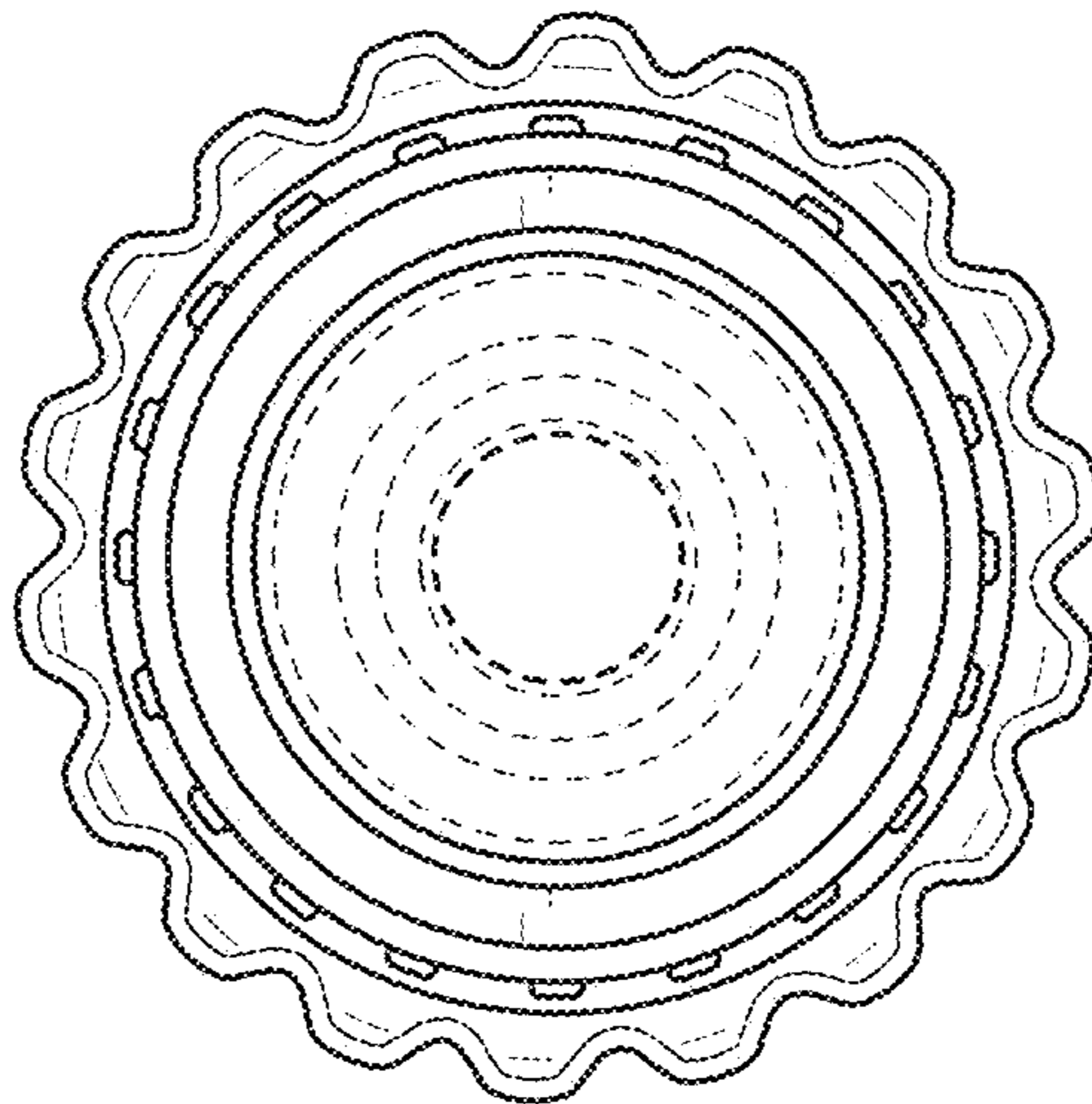


FIG. 6

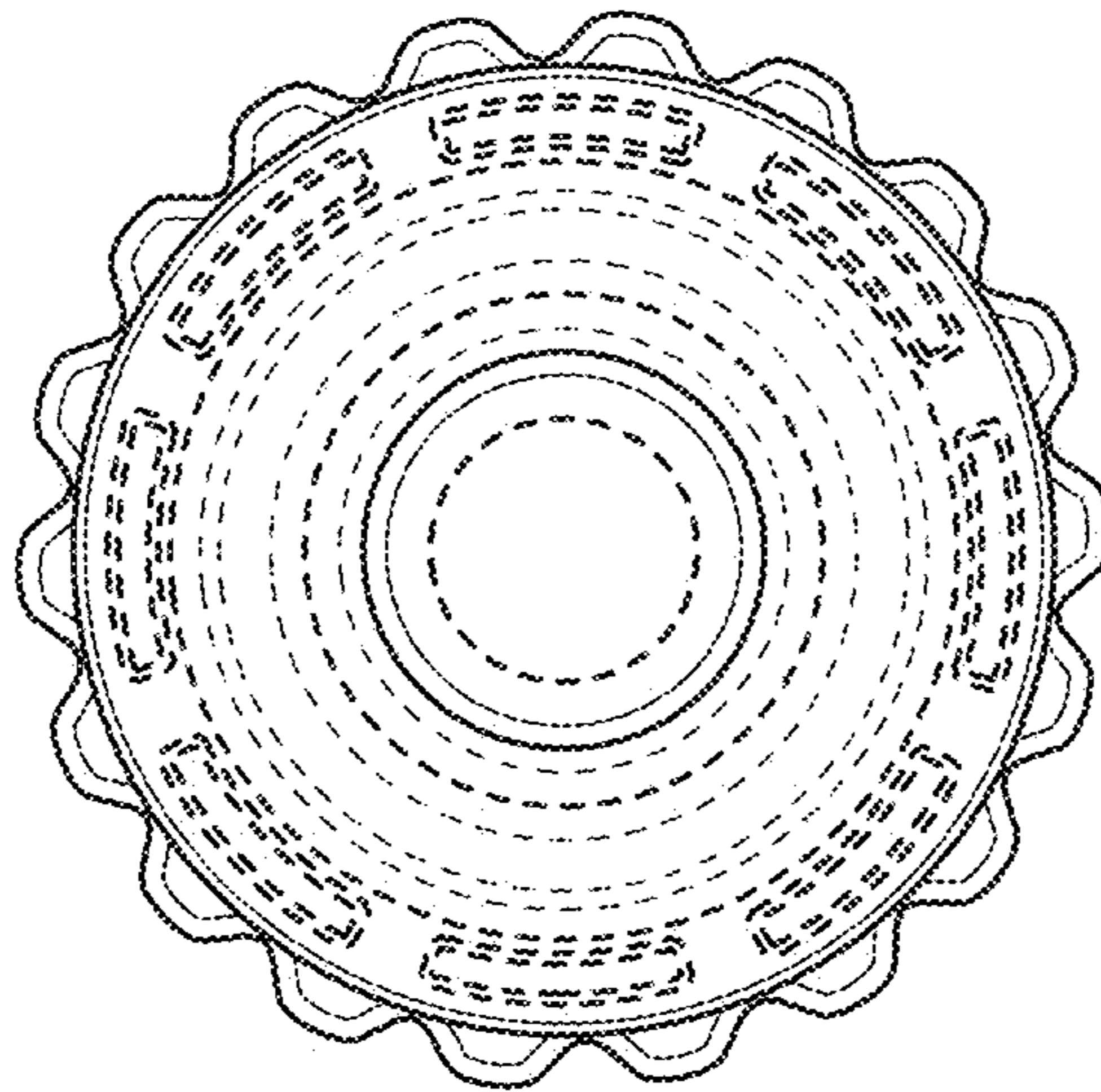


FIG. 7