

US00D901004S

(12) **United States Design Patent** (10) **Patent No.:** **US D901,004 S**
Scheirlinck et al. (45) **Date of Patent:** **** Nov. 3, 2020**

- (54) **SWIVEL WITH A ROTATABLE PRESSURE PORT**
- (71) Applicant: **Fisher & Paykel Healthcare Limited**, Auckland (NZ)
- (72) Inventors: **Erik Robertus Scheirlinck**, Auckland (NZ); **Man Hei Jade Kwong**, Auckland (NZ)
- (73) Assignee: **FISHER & PAYKEL HEALTHCARE LIMITED**, Auckland (NZ)
- (**) Term: **15 Years**
- (21) Appl. No.: **29/720,971**
- (22) Filed: **Jan. 16, 2020**

Related U.S. Application Data

- (60) Continuation of application No. 29/694,004, filed on Jun. 6, 2019, now Pat. No. Des. 876,617, which is a division of application No. 29/635,207, filed on Jan. 29, 2018, now Pat. No. Des. 856,510.
- (51) **LOC (12) Cl.** **29-02**
- (52) **U.S. Cl.**
USPC **D24/110.4; D24/110.6; D24/129**
- (58) **Field of Classification Search**
USPC **D24/110, 110.4, 110.5, 110.6, 129, 110.1**
CPC **A61M 16/06; A61M 16/0816; A61M 16/0683; A61M 16/0825; A61M 16/0622; A61M 16/0633; A61M 16/0833; A61M 16/0616; A61M 16/08**
See application file for complete search history.

(56) **References Cited**

U.S. PATENT DOCUMENTS

- D556,899 S 12/2007 Veliss et al.
- D583,047 S 12/2008 Chandran et al.

- D619,701 S 7/2010 Edwards et al.
- D648,845 S 11/2011 Omura et al.
- D652,909 S 1/2012 Smart et al.
- 8,887,726 B2 11/2014 Schulz et al.
- RE45,985 E 4/2016 McAuley et al.
- D817,478 S 5/2018 Zoellner et al.
- D819,801 S 6/2018 Henry et al.
- D852,355 S 6/2019 Fiorenza
- 10,335,583 B2 7/2019 Gulliver et al.
- D856,510 S 8/2019 Scheirlinck et al.
- D866,748 S * 11/2019 Khabiri D24/108
- D876,617 S * 2/2020 Scheirlinck D24/110.4
- 10,603,457 B2 * 3/2020 Chang A61M 16/0616
- 10,632,276 B2 * 4/2020 Fyfe A61M 16/0683
- 2008/0314389 A1 12/2008 Thomas et al.
- 2009/0065729 A1 3/2009 Warboys et al.
- 2009/0139527 A1 6/2009 Ng et al.
- 2009/0260628 A1 10/2009 Flynn, Sr.
- 2009/0260629 A1 10/2009 Yee et al.

(Continued)

Primary Examiner — Lilyana Bekic

(74) *Attorney, Agent, or Firm* — Knobbe, Martens, Olson & Bear, LLP

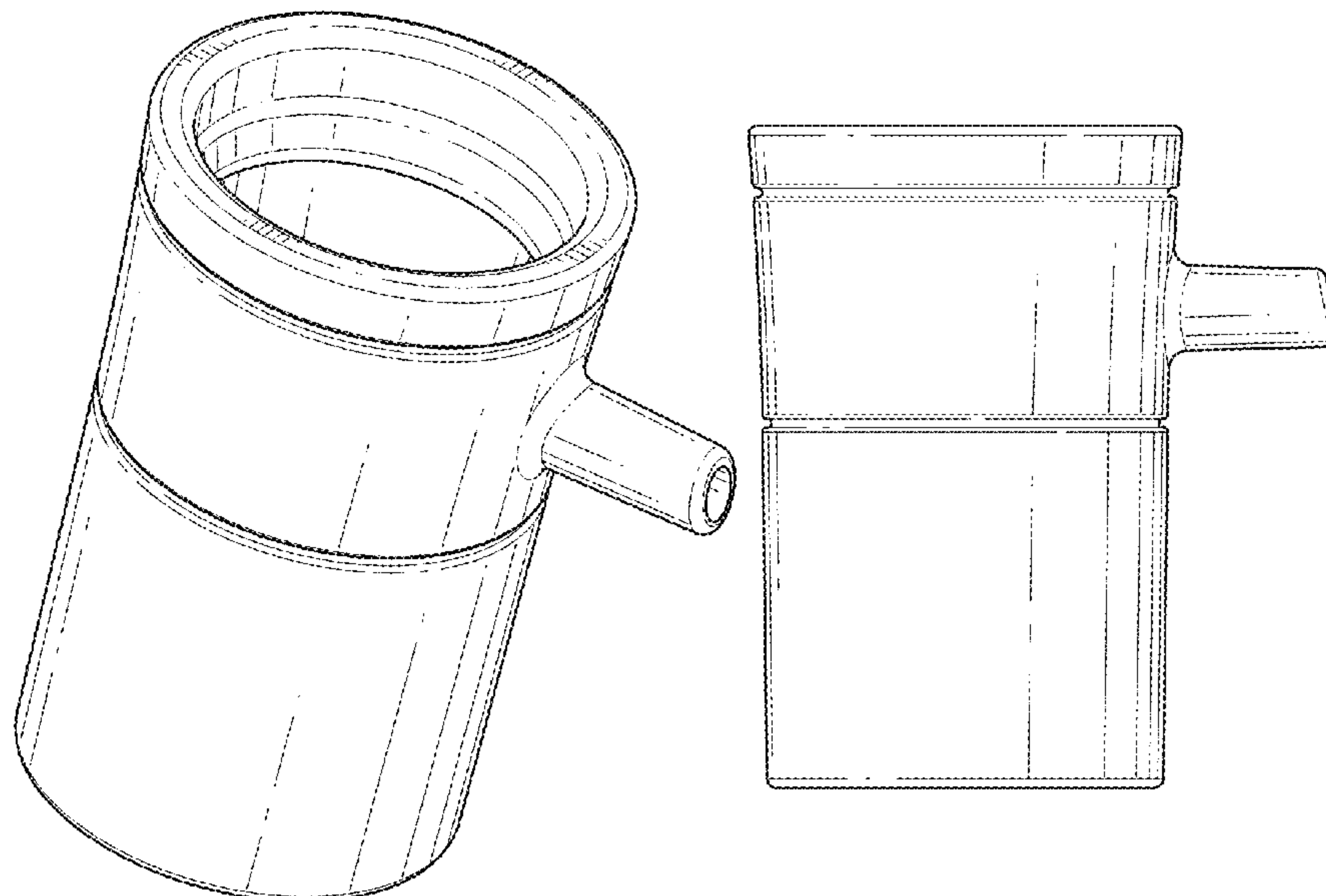
(57) **CLAIM**

The ornamental design for a swivel with a rotatable pressure port, as shown and described.

DESCRIPTION

FIG. 1 is a top, front, and right side perspective view of a swivel with a rotatable pressure port embodying our new design;
 FIG. 2 is a front view thereof;
 FIG. 3 is a rear view thereof;
 FIG. 4 is a left side view thereof;
 FIG. 5 is a right side view thereof;
 FIG. 6 is a top view thereof;
 FIG. 7 is a bottom view thereof; and,
 FIG. 8 is a cross-sectional view of the front view taken along line 8-8 of FIG. 6.

1 Claim, 5 Drawing Sheets



(56)

References Cited

U.S. PATENT DOCUMENTS

2014/0150798 A1 6/2014 Fong et al.
2014/0338669 A1 11/2014 Zhao et al.
2015/0000671 A1 1/2015 Frerichs et al.
2015/0283349 A1 10/2015 McLaren et al.
2015/0320962 A1 11/2015 Bafle
2016/0082218 A1 3/2016 Lau et al.
2017/0197055 A1 7/2017 Moody et al.
2017/0296770 A1 10/2017 Gunaratnam et al.
2018/0185598 A1 7/2018 Olsen et al.
2018/0207389 A1 7/2018 Fyfe et al.
2019/0099577 A1 4/2019 Fiorenza
2019/0217029 A1 7/2019 Lawrence
2019/0321617 A1* 10/2019 Gulliver A61M 16/0833
2019/0388642 A1* 12/2019 Le A61M 16/0816
2020/0016355 A1* 1/2020 Eifler A61M 16/06
2020/0101248 A1* 4/2020 Baba A61M 16/0605
2020/0101251 A1* 4/2020 Thomas A61M 16/1005
2020/0101255 A1* 4/2020 Golub A61M 16/12

* cited by examiner

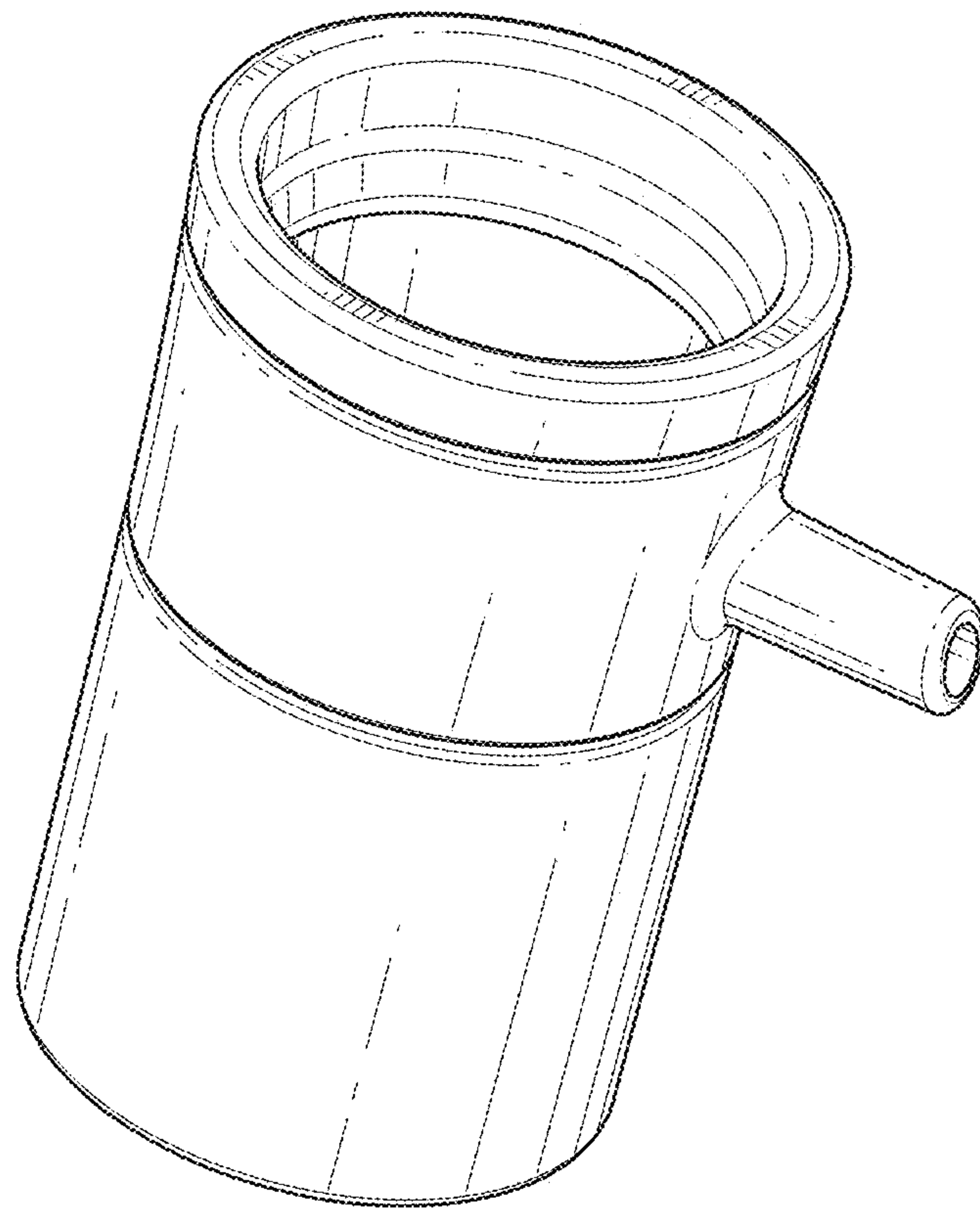


FIG. 1

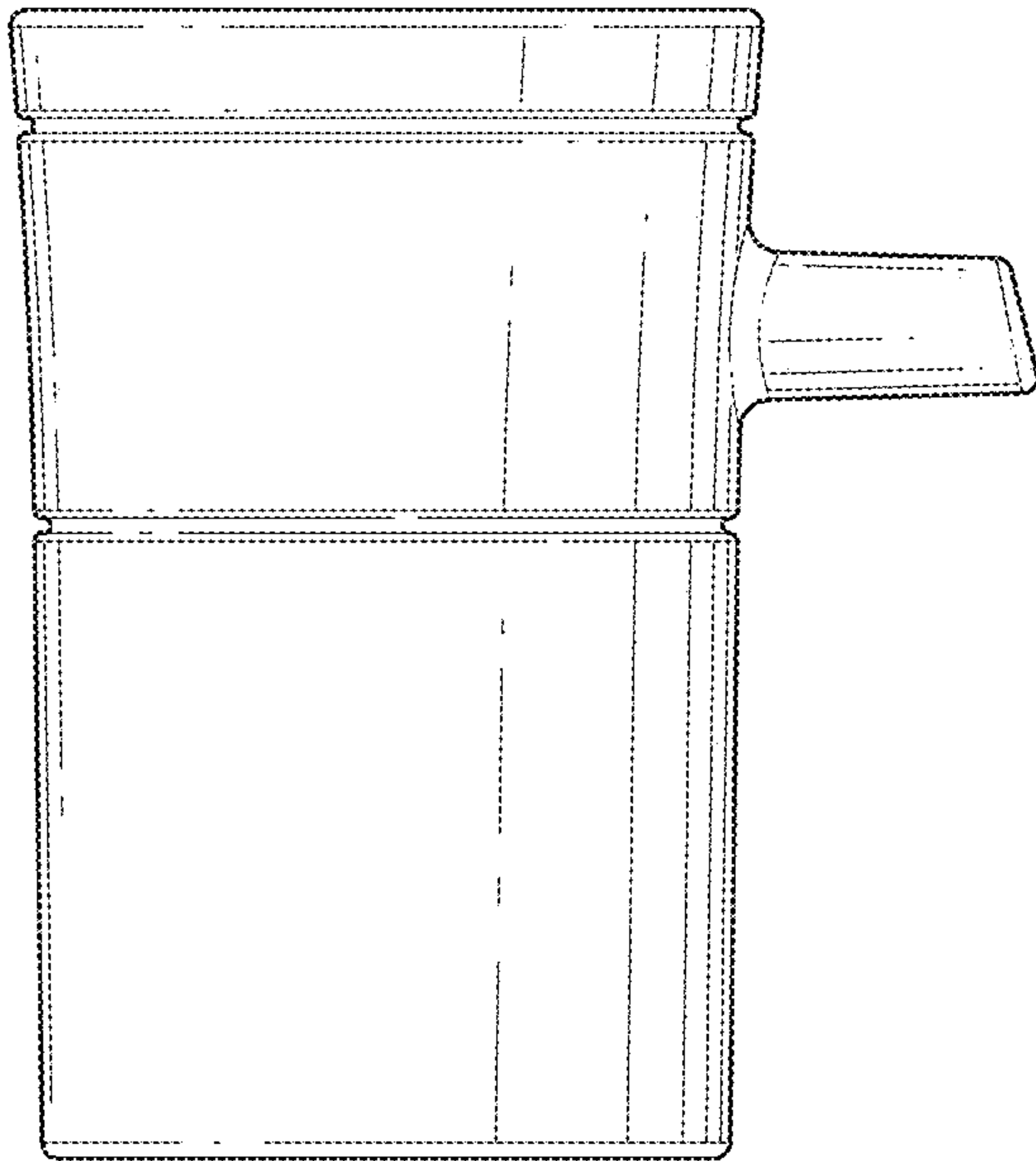


FIG. 2

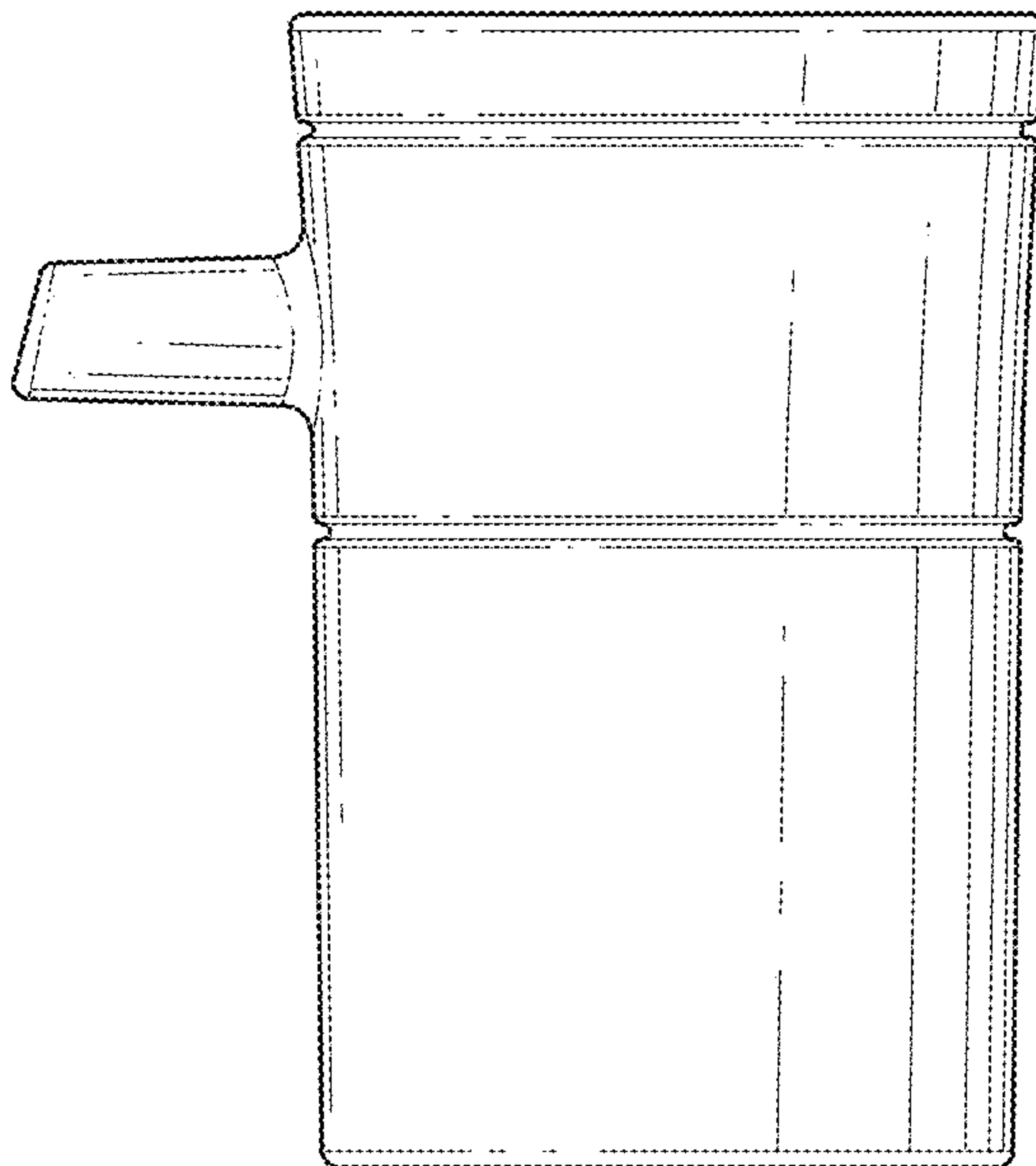


FIG. 3

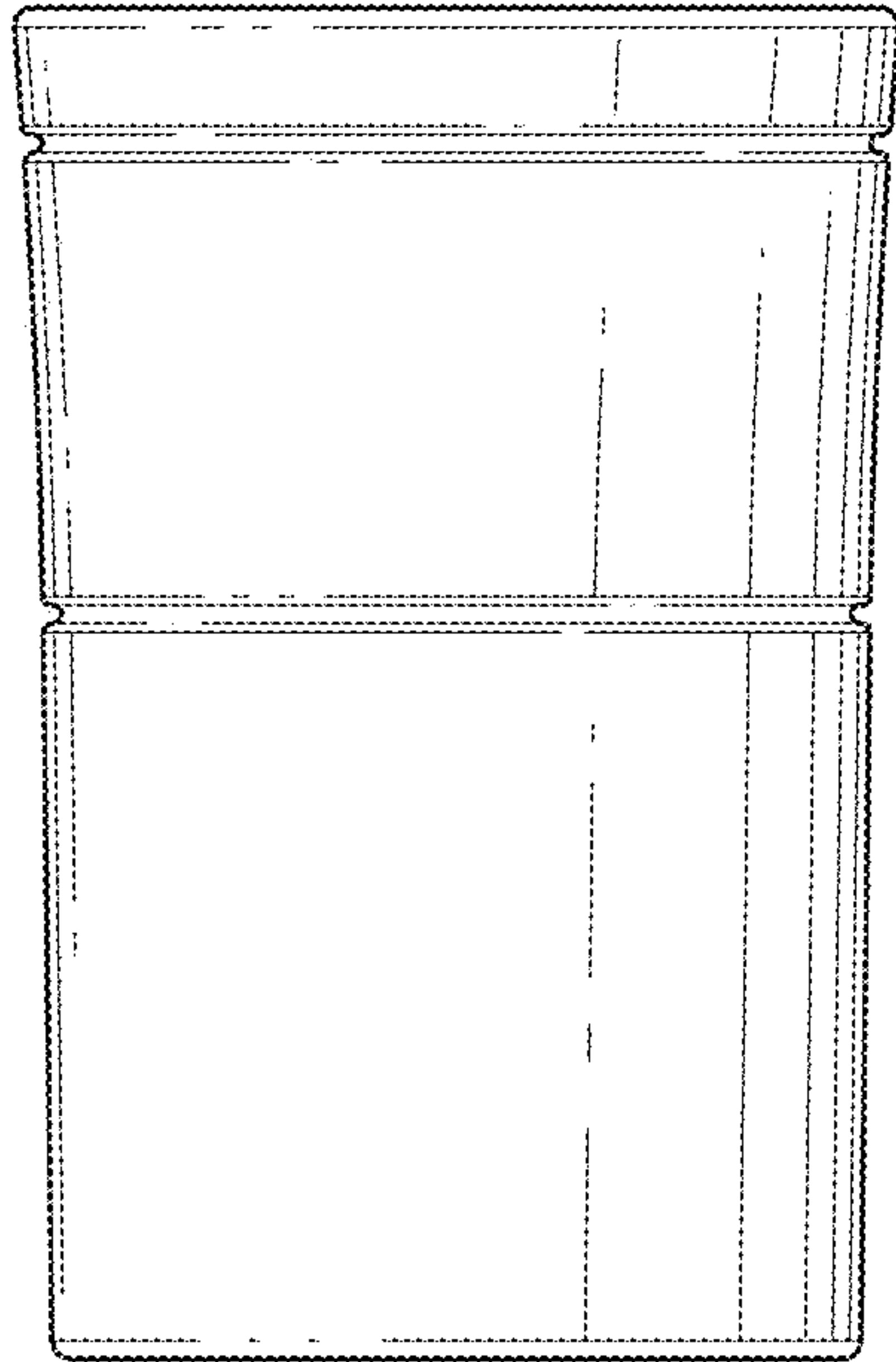


FIG. 4

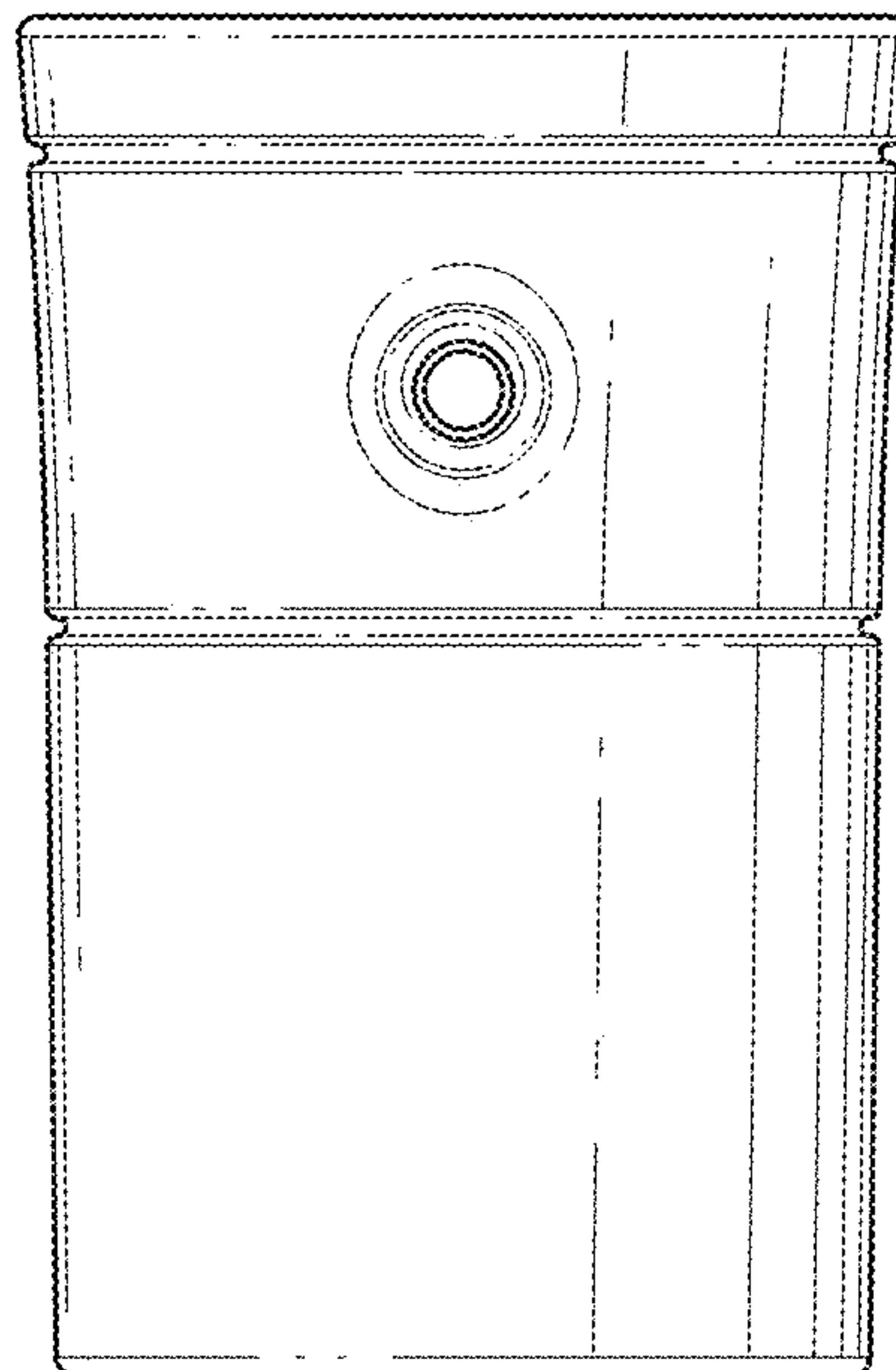


FIG. 5

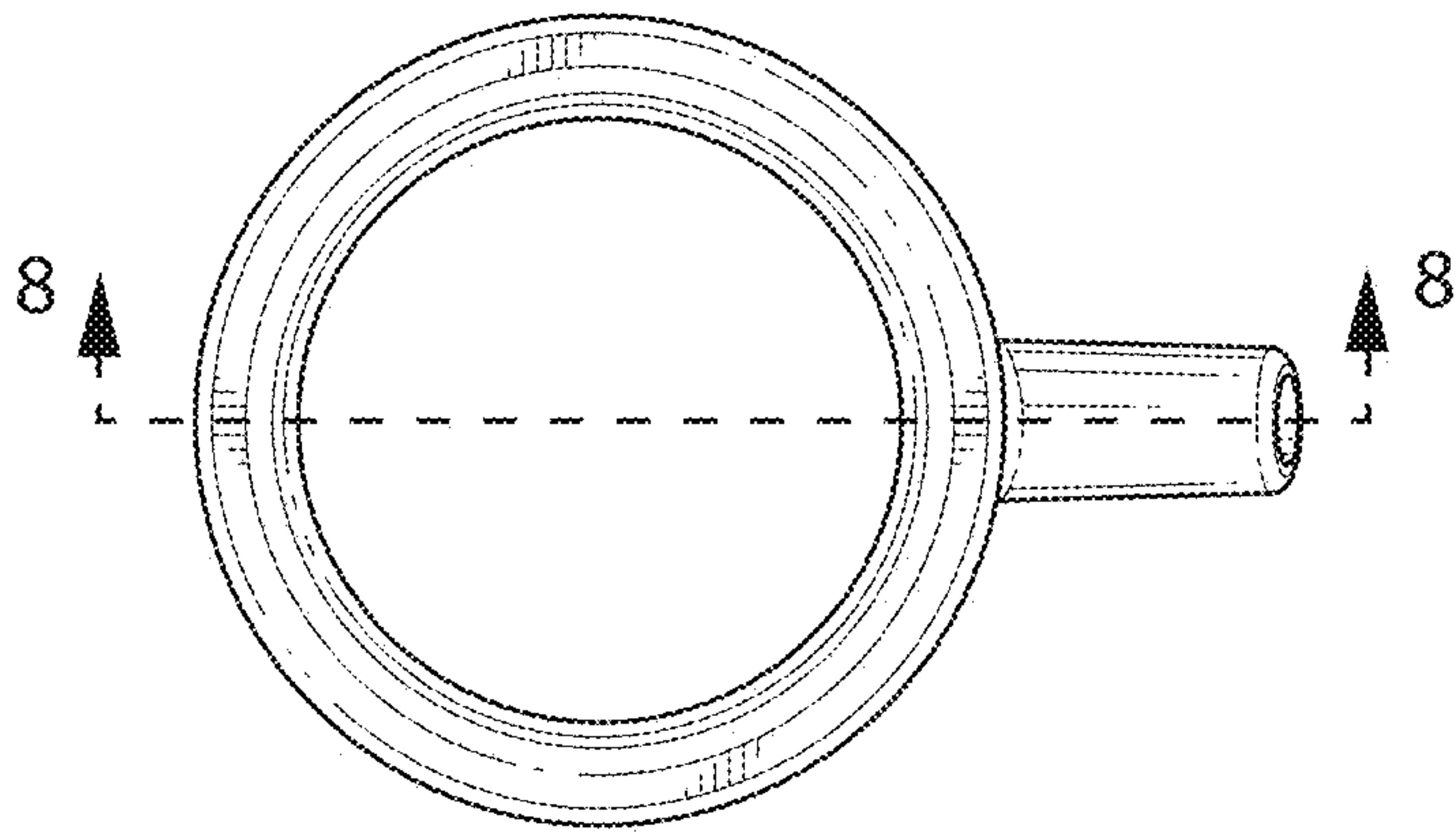


FIG. 6

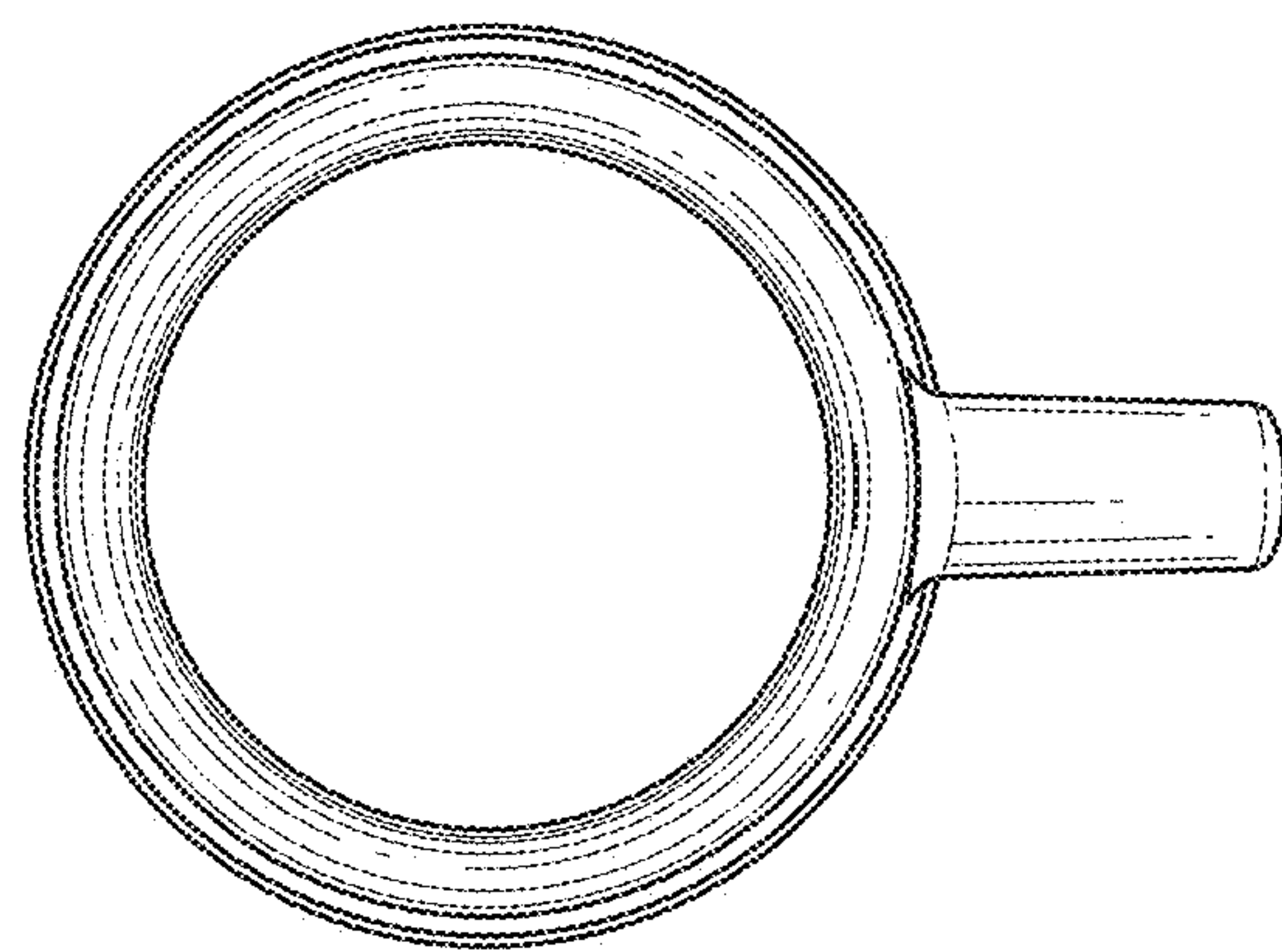


FIG. 7

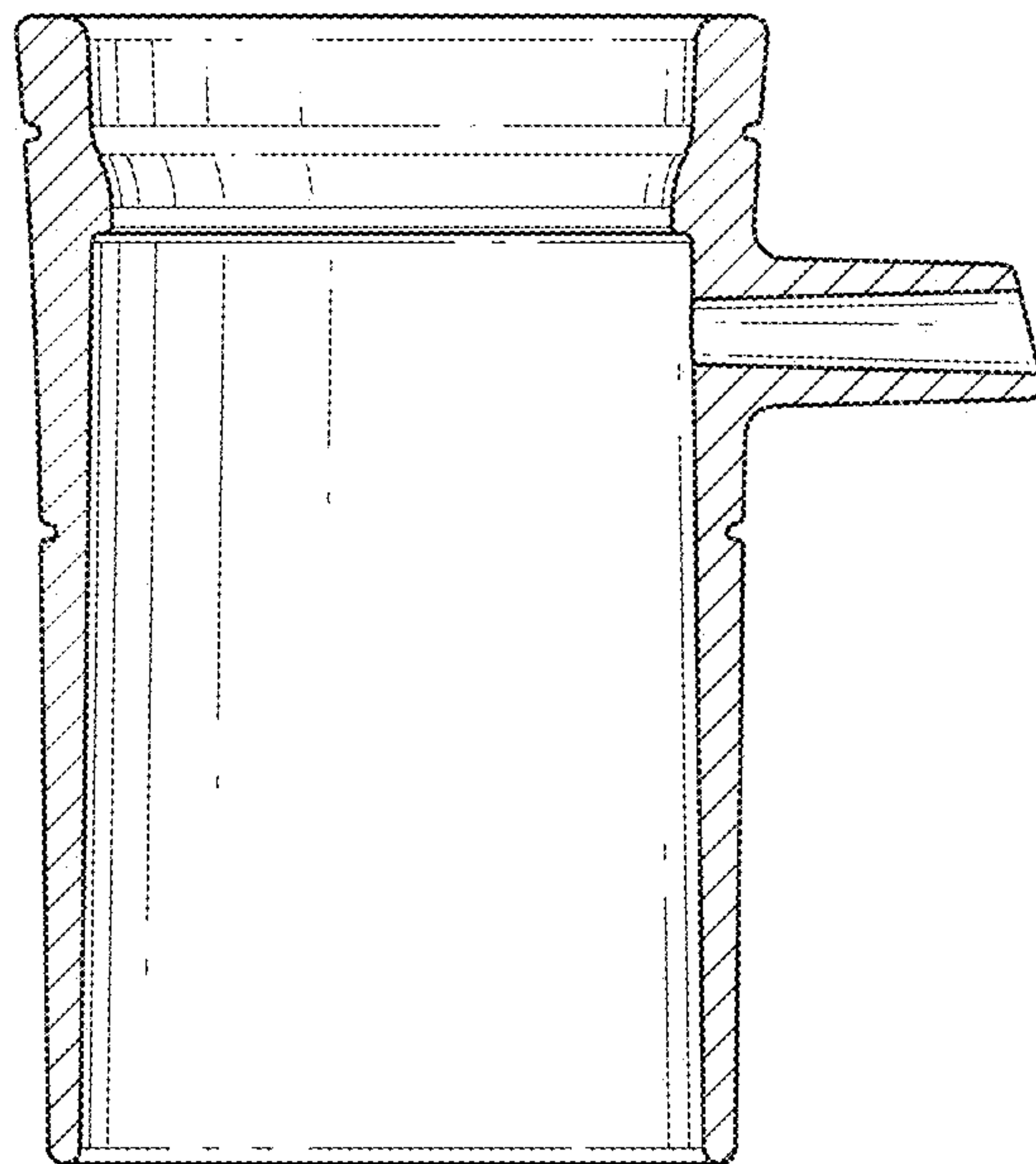


FIG. 8