



US00D901000S

(12) **United States Design Patent** (10) **Patent No.:** **US D901,000 S**
Tackaberry et al. (45) **Date of Patent:** **** Nov. 3, 2020**

(54) **INHALANT DISPENSER**
(71) Applicant: **Loop Laboratories, LLC**, Chicago, IL (US)
(72) Inventors: **Jillian Kaye Tackaberry**, Chicago, IL (US); **Scott Harold Wilson**, Chicago, IL (US)

D629,508 S * 12/2010 Zuyderhoudt D24/110.5
D629,889 S * 12/2010 Zuyderhoudt D24/110.5
D657,446 S * 4/2012 Herfort D24/110
D657,447 S * 4/2012 Herfort D24/110
D681,803 S * 5/2013 Sheehy D24/110
D681,804 S * 5/2013 Sheehy D24/110
D772,394 S * 11/2016 Walsh D24/110
D772,395 S * 11/2016 Walsh D24/110
D852,947 S * 7/2019 Dethlefs D24/110

(Continued)

(73) Assignee: **Loop Laboratories, LLC**, Chicago, IL (US)

FOREIGN PATENT DOCUMENTS

(**) Term: **15 Years**

GB 2470188 11/2010

(21) Appl. No.: **29/670,256**

Primary Examiner — Brandon M Rosati

(22) Filed: **Nov. 14, 2018**

Assistant Examiner — Aula Soroush

(51) **LOC (12) Cl.** **29-02**

(74) *Attorney, Agent, or Firm* — Neal, Gerber & Eisenberg LLP

(52) **U.S. Cl.**

(57) **CLAIM**

USPC **D24/110**

The ornamental design for an inhalant dispenser, as shown and described.

(58) **Field of Classification Search**

DESCRIPTION

USPC D24/107, 108, 110, 110.1–110.5, 127, D24/164; D29/108

CPC A61M 15/0085; A61M 15/0005; A61M 11/005; A61M 11/00; A61M 11/02; A61M 11/04; A61M 5/087; A61M 5/0871; A61M 5/091; A61M 5/097; A61M 15/00; A61M 15/0065; A61M 15/0091; A61M 15/0021; A61M 15/0026; A61M 15/008; A61M 15/007; A63B 23/18

See application file for complete search history.

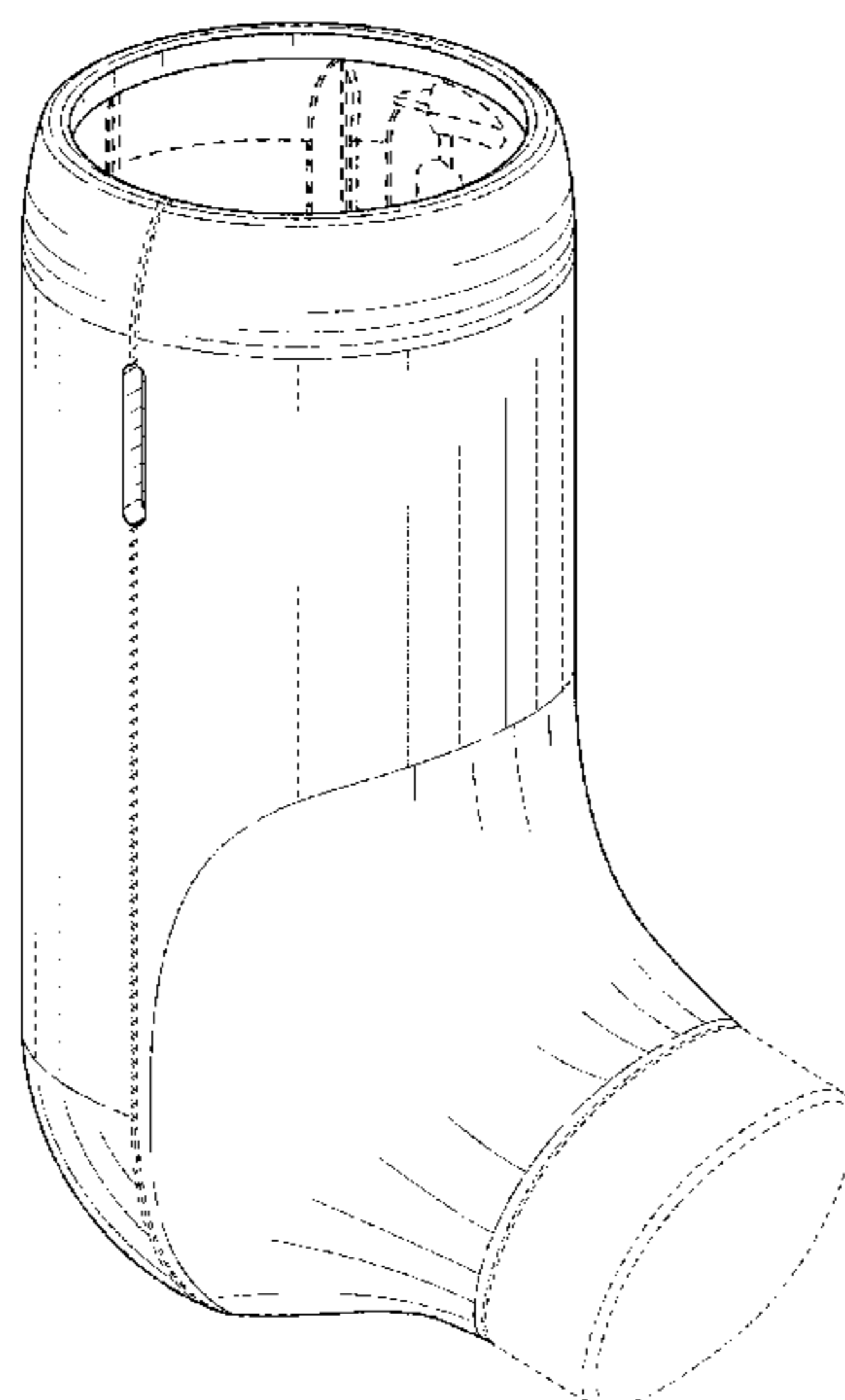
FIG. 1 is a perspective view of an inhalant dispenser.
FIG. 2 is a front view of the inhalant dispenser shown in FIG. 1.
FIG. 3 is a rear view of the inhalant dispenser shown in FIG. 1, opposite the front view shown in FIG. 2.
FIG. 4 is a side view of the inhalant dispenser shown in FIG. 1.
FIG. 5 is a side view of the inhalant dispenser shown in FIG. 1, opposite of the side shown in FIG. 4.
FIG. 6 is a top view of the inhalant dispenser shown in FIG. 1; and,
FIG. 7 is a bottom view of the inhalant dispenser shown in FIG. 1, opposite the top view shown in FIG. 6.
The dash-dash broken lines depict portions of the inhalant dispenser that form no part of the claimed design. The dot-dash broken lines define the bounds of the claimed design and form no part thereof.

(56) **References Cited**

U.S. PATENT DOCUMENTS

D207,143 S * 3/1967 Goodwin D24/110
D291,829 S * 9/1987 Torongo D24/110
D416,998 S * 11/1999 Hodson D24/110
D556,896 S * 12/2007 Logan D24/110
D610,249 S * 2/2010 Robinson D24/110
D629,504 S * 12/2010 Zuyderhoudt D24/110
D629,507 S * 12/2010 Zuyderhoudt D24/110.5

1 Claim, 6 Drawing Sheets



(56)

References Cited

U.S. PATENT DOCUMENTS

D853,555 S * 7/2019 Oliveras D24/110
D863,531 S * 10/2019 Jackson D24/110
D863,533 S * 10/2019 Jackson D24/110
D871,567 S * 12/2019 Pieters D24/110
2002/0000225 A1 1/2002 Schuler et al.
2007/0181120 A1 8/2007 Wright et al.
2010/0192946 A1 8/2010 Oi et al.

* cited by examiner

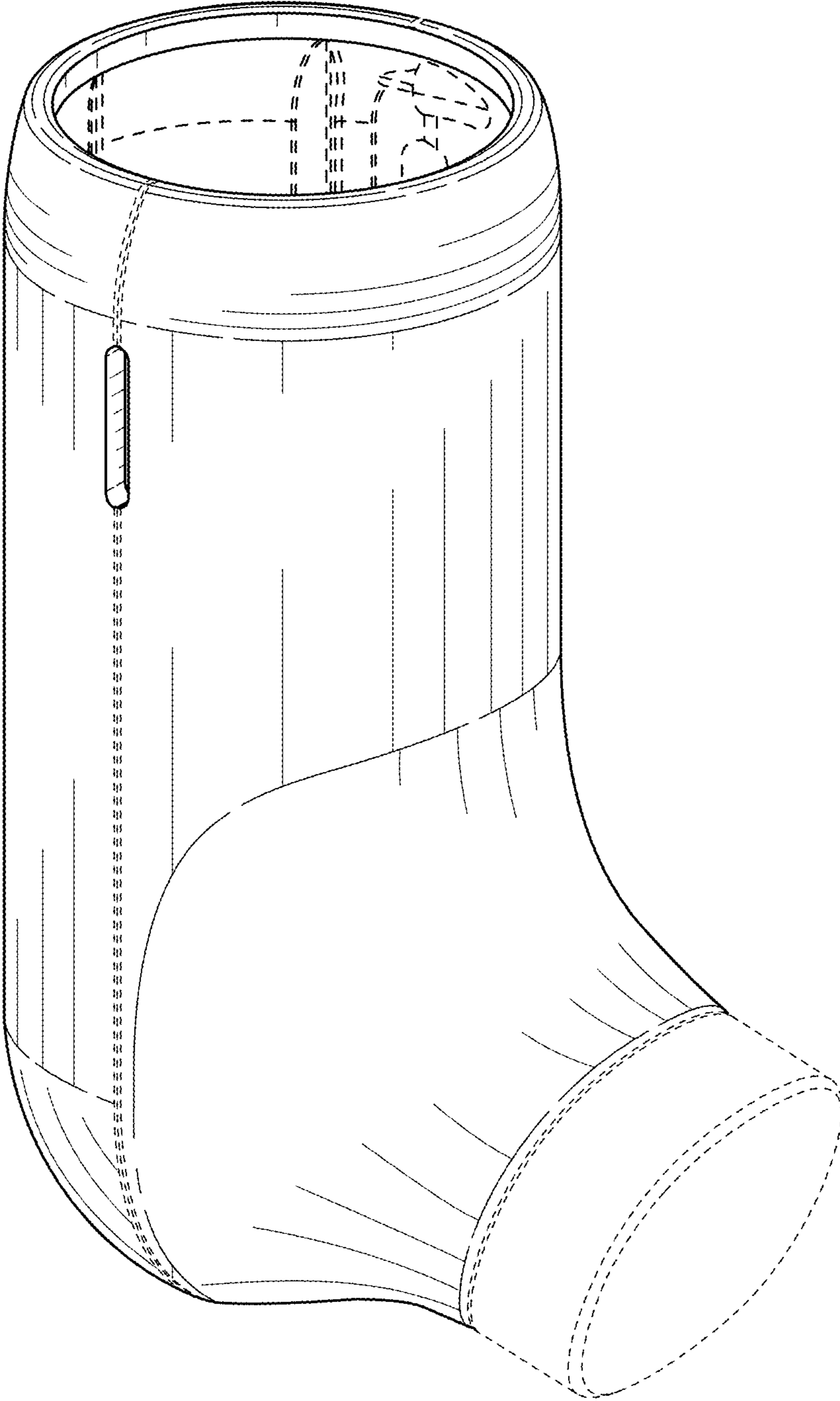


FIG. 1

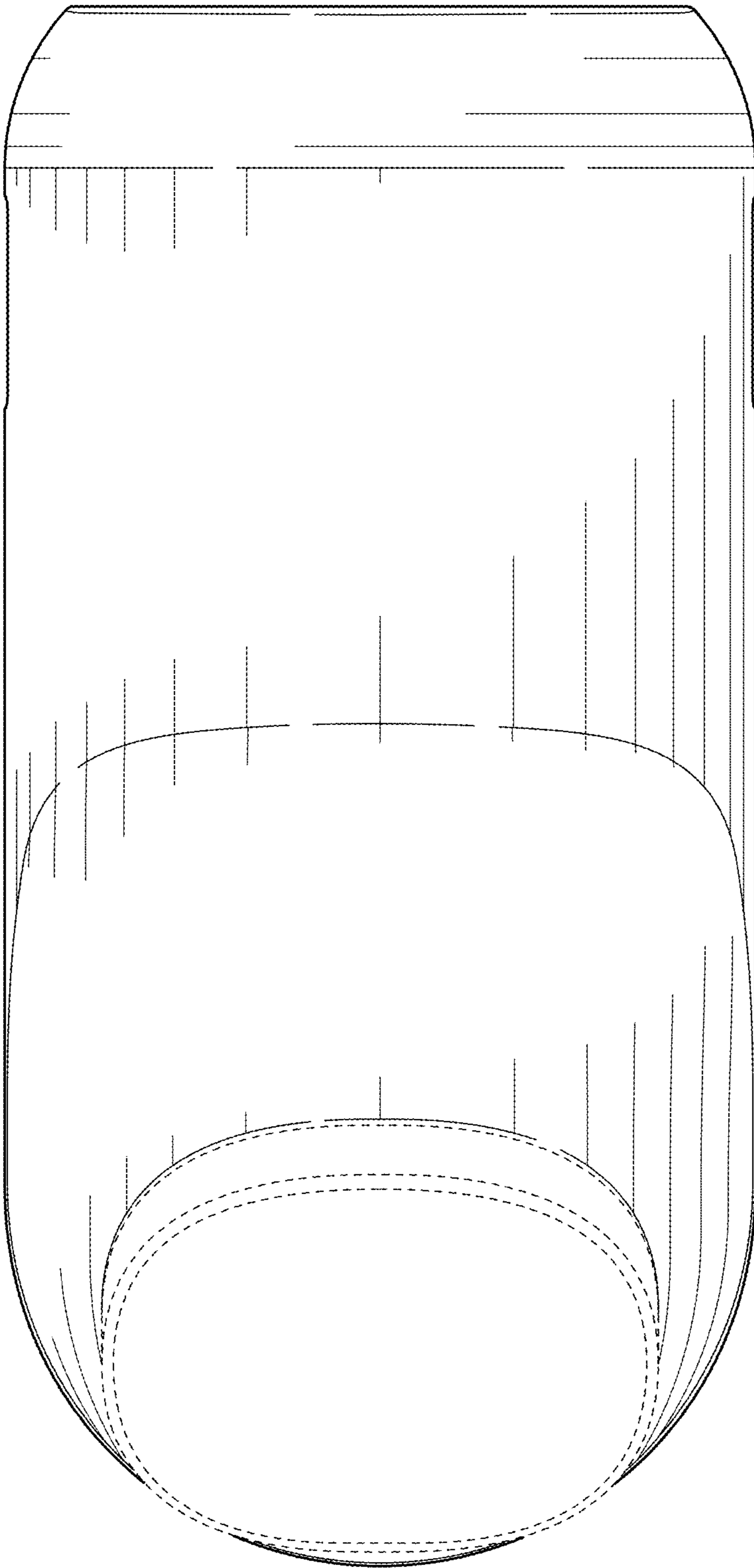


FIG. 2

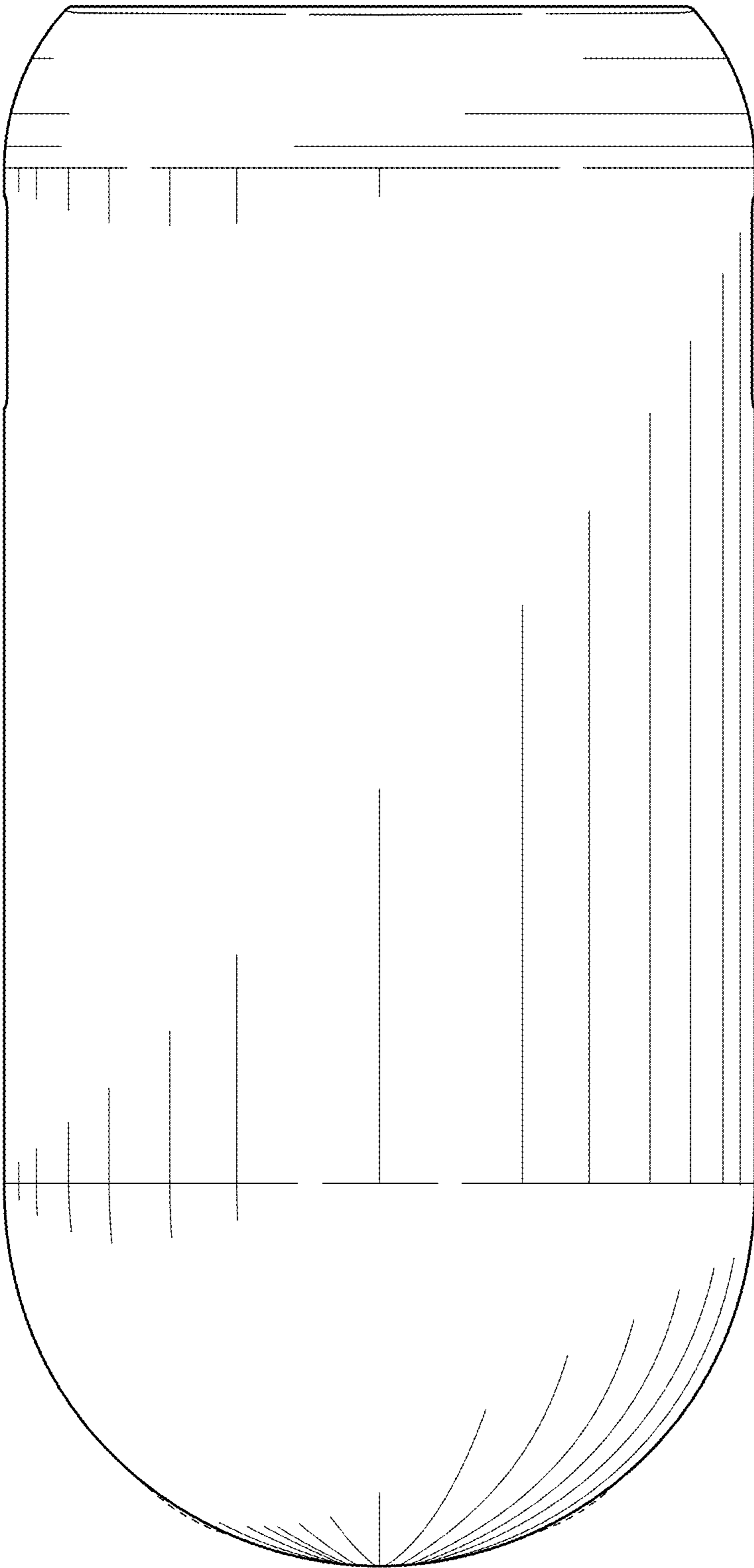


FIG. 3

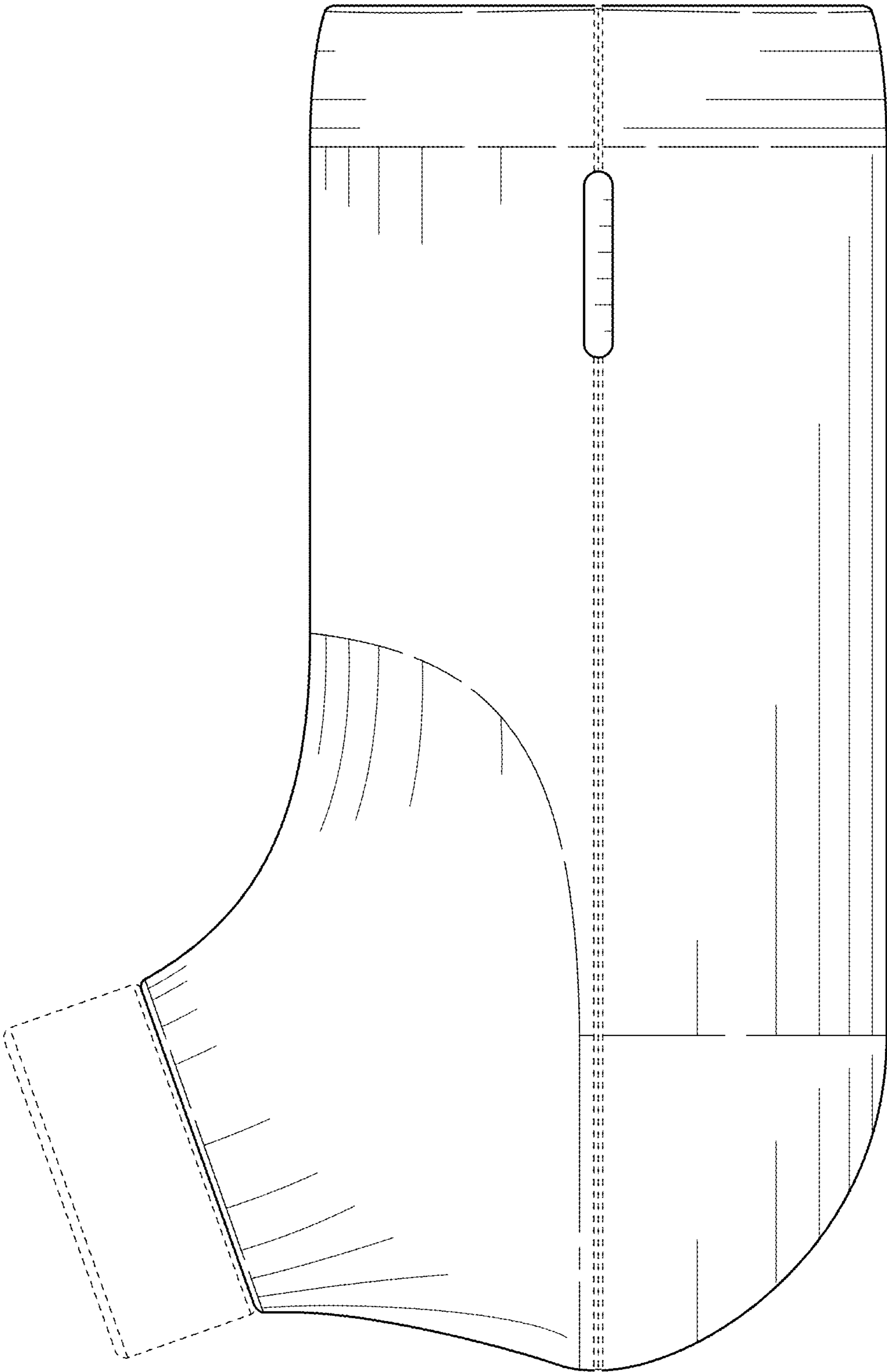


FIG. 4

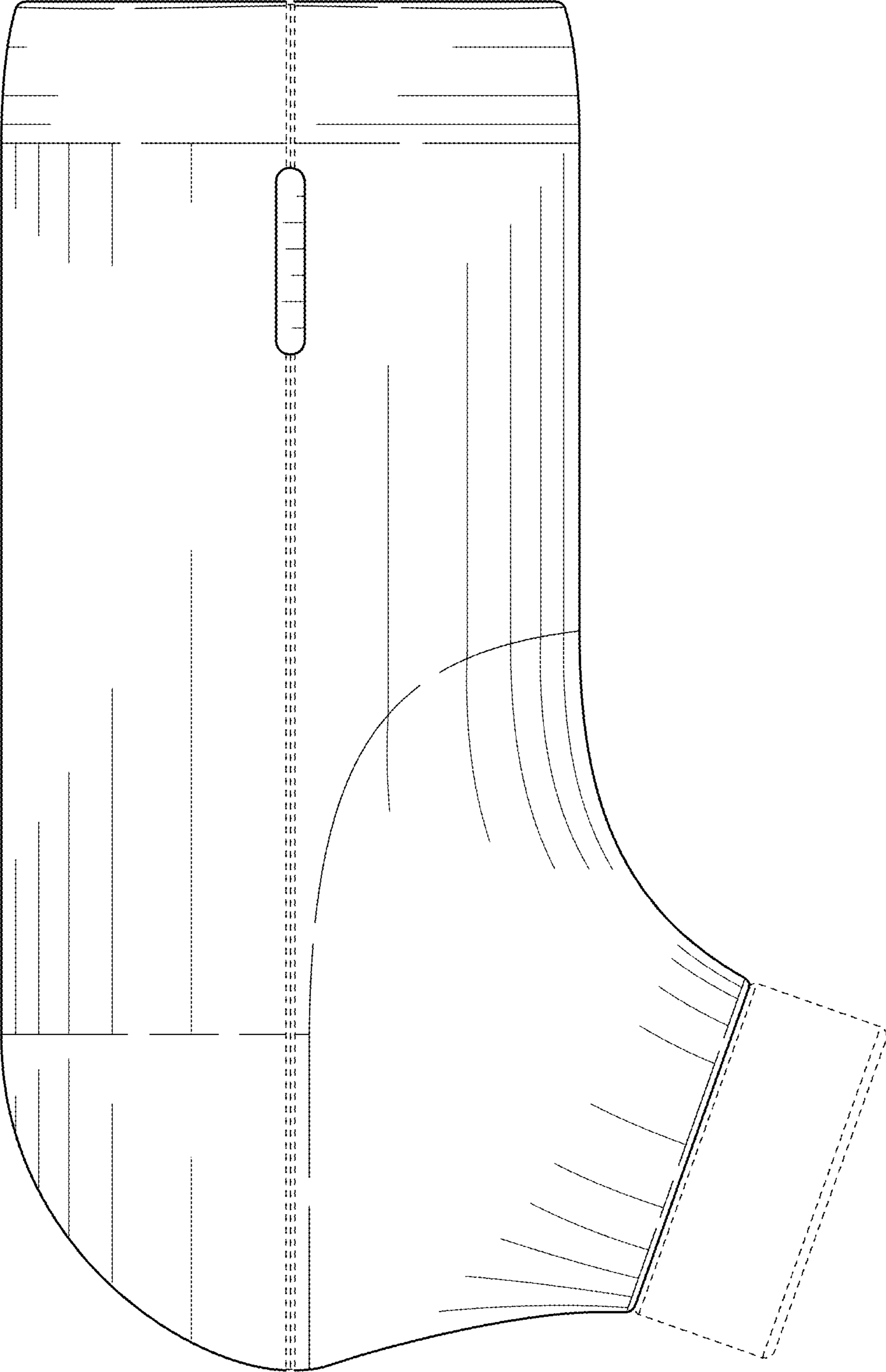


FIG. 5

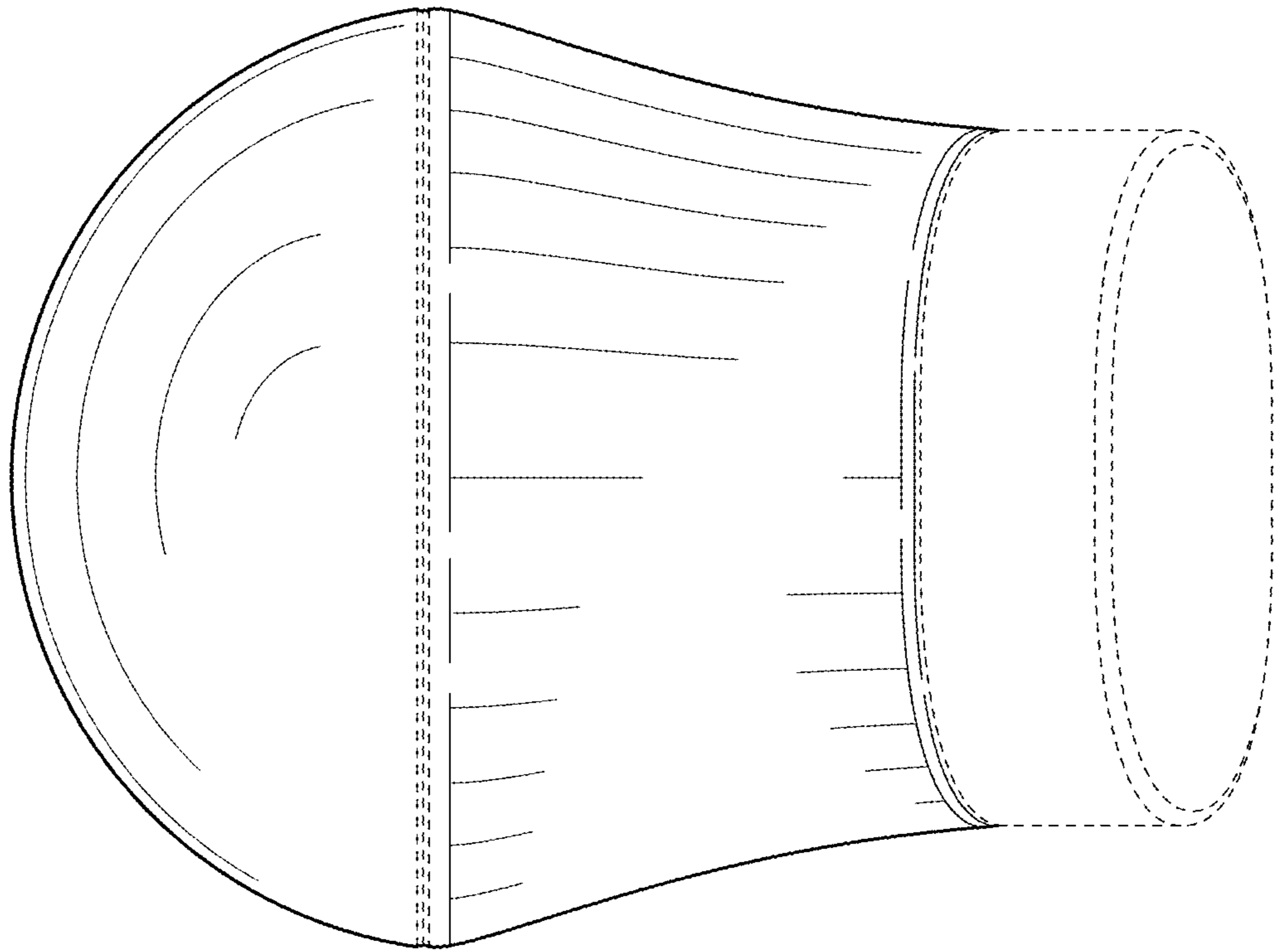


FIG. 7

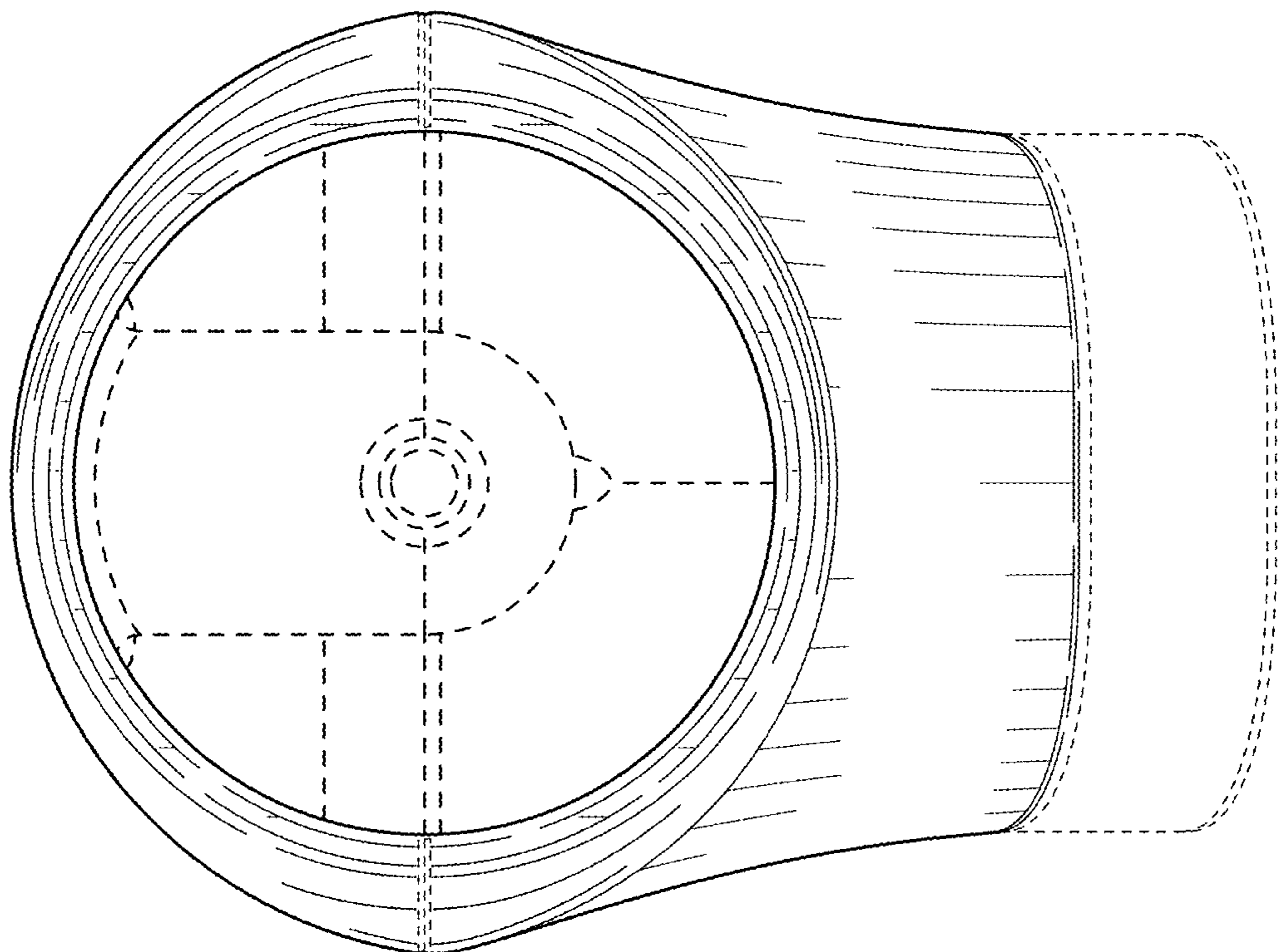


FIG. 6