



US00D900999S

(12) **United States Design Patent** (10) **Patent No.:** **US D900,999 S**  
**Zoellner et al.** (45) **Date of Patent:** **\*\* Nov. 3, 2020**

(54) **EXHALATION PORT FOR A BREATHING CIRCUIT**

5,685,296 A 11/1997 Zdrojkowski et al.  
5,937,851 A 8/1999 Serowski et al.  
5,937,855 A 8/1999 Zdrojkowski et al.  
5,988,160 A 11/1999 Foley et al.  
6,581,594 B1 6/2003 Drew et al.  
6,615,830 B1 9/2003 Serowski et al.

(71) Applicant: **Fisher & Paykel Healthcare Limited**,  
Auckland (NZ)

(Continued)

(72) Inventors: **Sascha Kristopher Zoellner**, Auckland  
(NZ); **Katie Fyfe**, Auckland (NZ);  
**Kevin Blake Powell**, Auckland (NZ);  
**James Alexander Gordon**, Auckland  
(NZ)

OTHER PUBLICATIONS

Rugged Snow Roof Rake, posted at roofrake.com, earliest date posted on Jan. 17, 2008, [online], acquired on Aug. 14, 2019. Available from Internet, <URL:http://www.roofrake.com/Productpages/ruggedroofrake.asp> (Year: 2008).\*

(73) Assignee: **Fisher & Paykel Healthcare Limited**,  
Auckland (NZ)

*Primary Examiner* — Brandon M Rosati  
*Assistant Examiner* — Aula Soroush

(\*\*) Term: **15 Years**

(74) *Attorney, Agent, or Firm* — Knobbe, Martens, Olson & Bear, LLP

(21) Appl. No.: **29/643,468**

(22) Filed: **Apr. 9, 2018**

(57) **CLAIM**

**Related U.S. Application Data**

The ornamental design for an exhalation port for a breathing circuit, as shown and described.

(63) Continuation of application No. 29/592,001, filed on Jan. 25, 2017, now Pat. No. Des. 817,478.

**DESCRIPTION**

(51) **LOC (12) Cl.** ..... **29-02**

(52) **U.S. Cl.**  
USPC ..... **D24/110**

(58) **Field of Classification Search**  
USPC ..... D24/110, 110.1–110.6, 127, 129, 164  
CPC .. A61M 16/00; A61M 16/06; A61M 16/0816;  
A61M 16/0883; A61M 16/20; A62B 7/00  
See application file for complete search history.

FIG. 1 is a front, left side and top perspective view showing a front side of an exhalation port for a breathing circuit. FIG. 2 is a rear, right side and bottom perspective view thereof. FIG. 3 is a front view thereof. FIG. 4 is a rear view thereof. FIG. 5 is a left side view thereof. FIG. 6 is a right side view thereof. FIG. 7 is a top view thereof; and, FIG. 8 is a bottom view thereof.

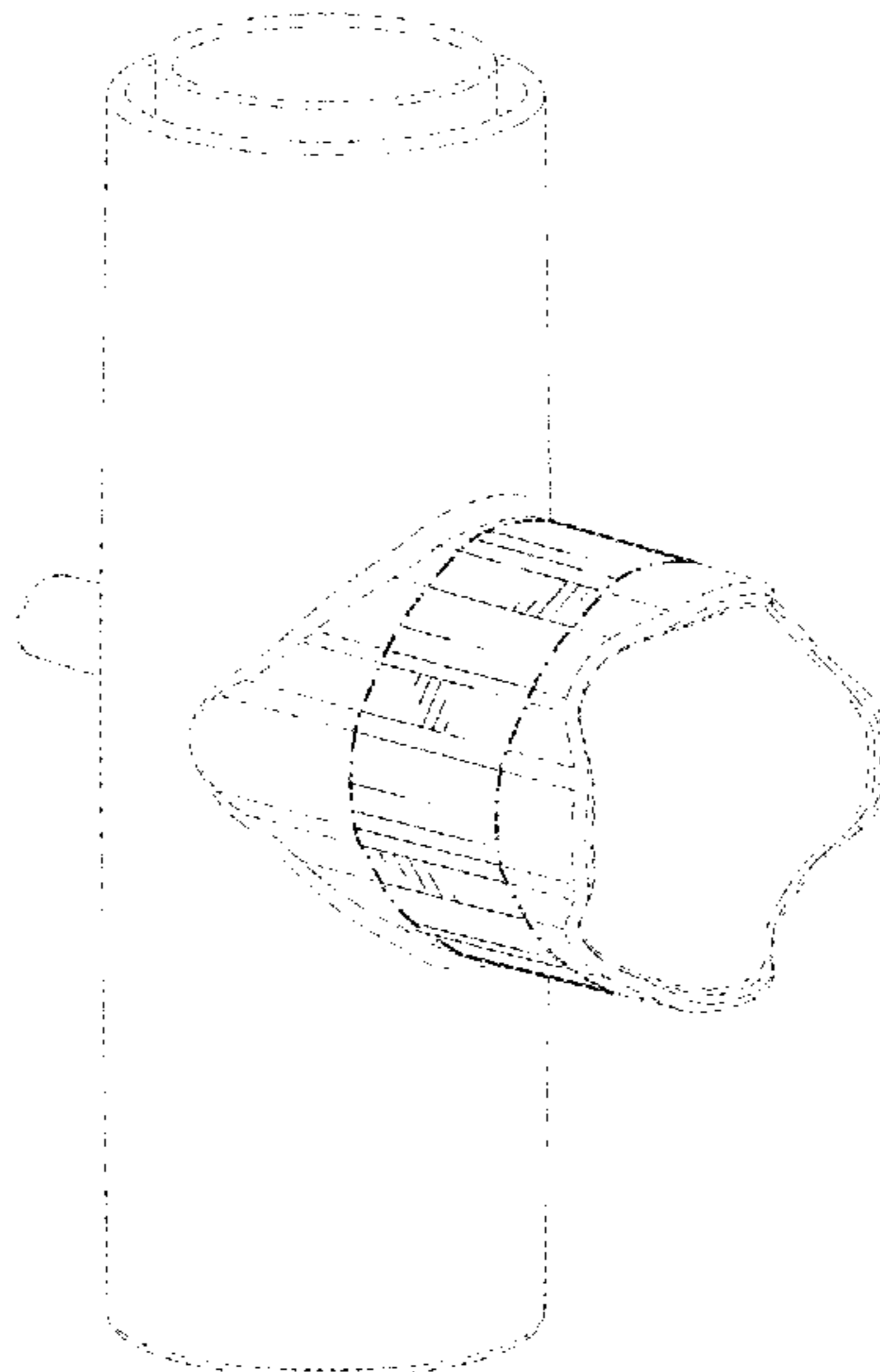
(56) **References Cited**

U.S. PATENT DOCUMENTS

3,812,878 A \* 5/1974 Bird ..... A61M 16/00  
137/512  
4,265,239 A 5/1981 Rischer, Jr. et al.  
2,348,074 A 2/1997 Lambertsen  
5,647,355 A 7/1997 Starr et al.

The dash-dot broken lines illustrate the bounds of the claim and form no part of the claimed design. All other broken lines illustrate portions of the exhalation port for a breathing circuit and form no part of the claimed design.

**1 Claim, 4 Drawing Sheets**



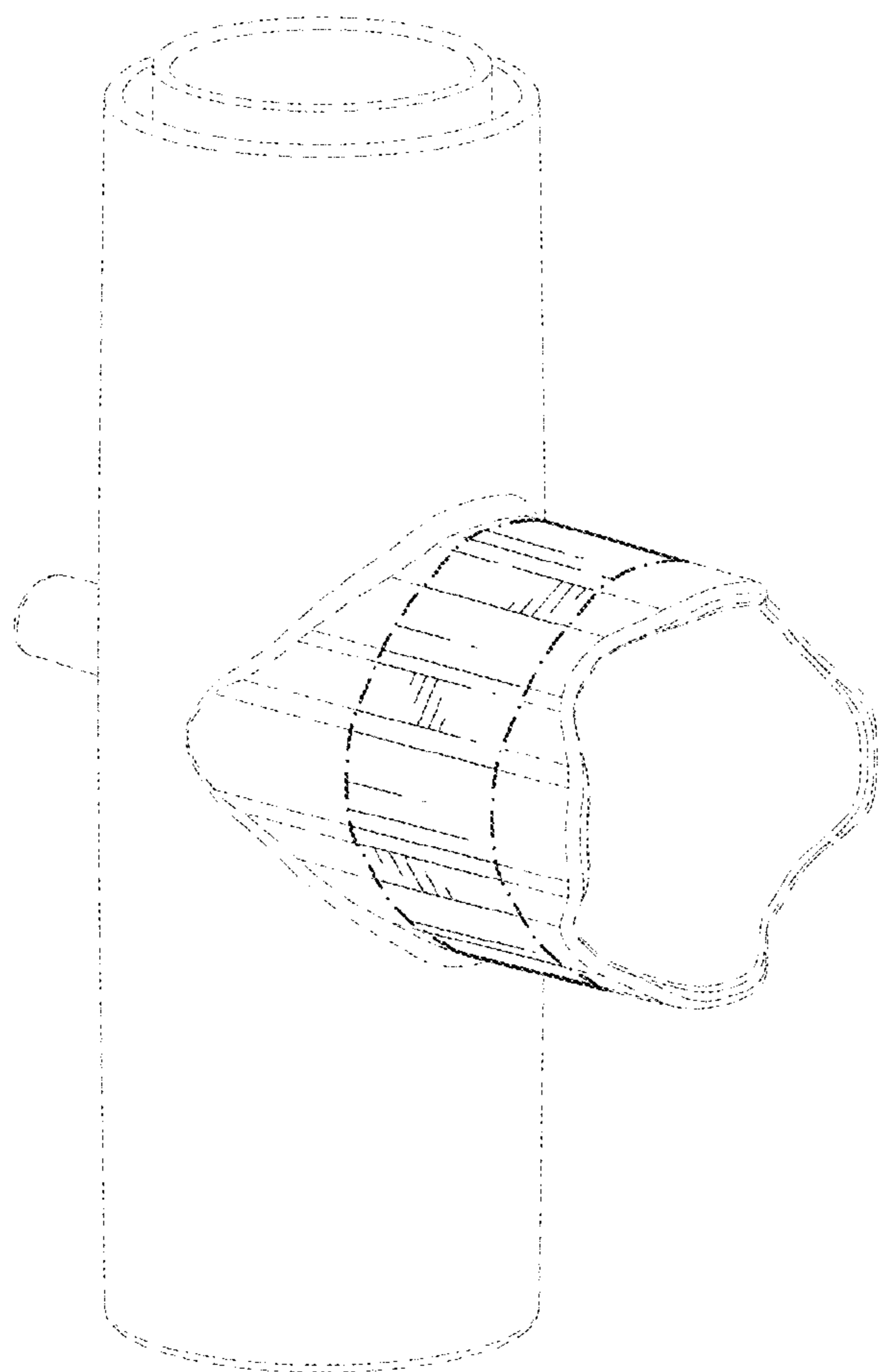
(56)

**References Cited**

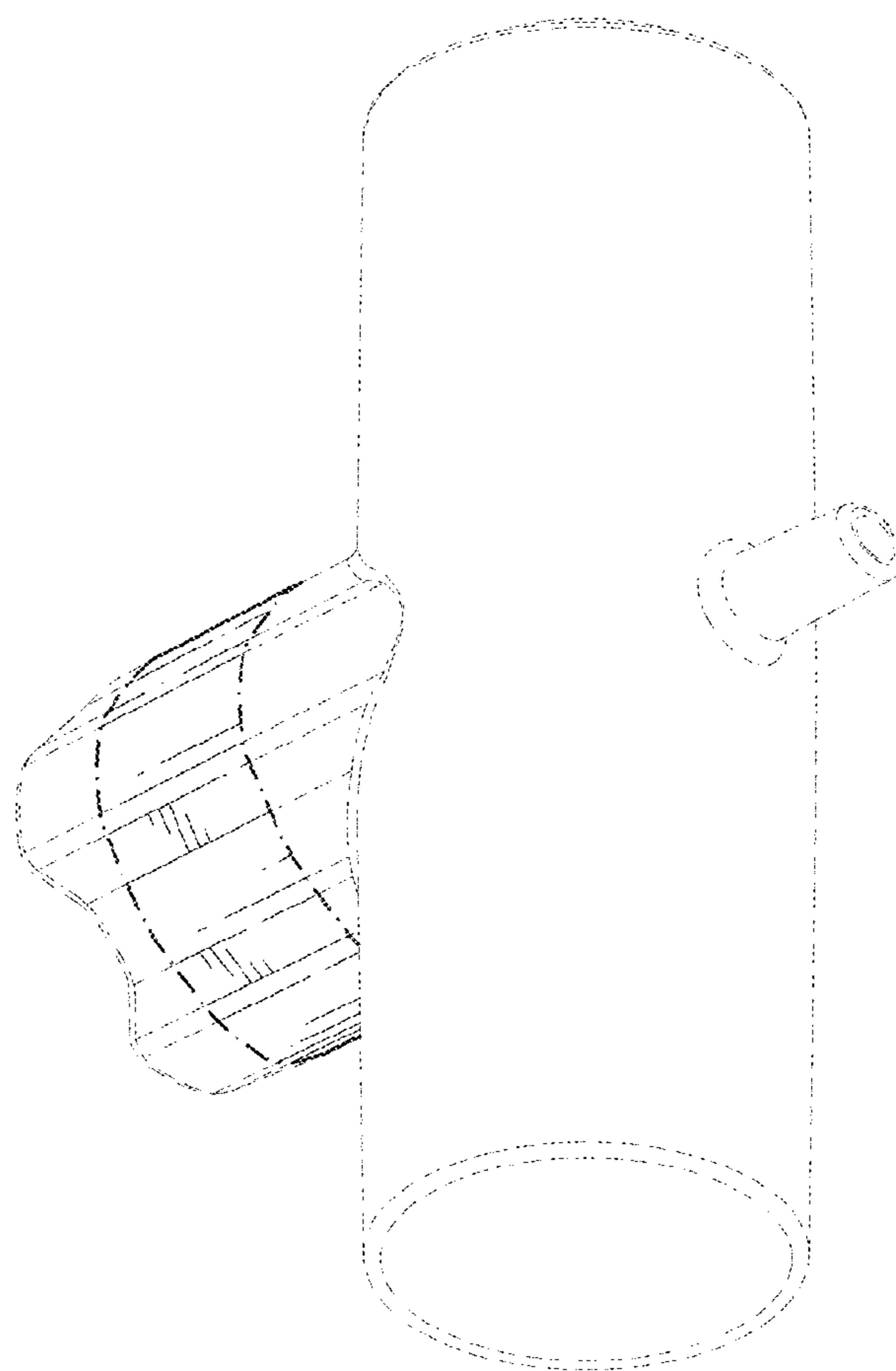
U.S. PATENT DOCUMENTS

6,823,865	B2	11/2004	Drew et al.	
6,851,425	B2	2/2005	Jaffre et al.	
6,851,427	B1 *	2/2005	Nashed .....	A61M 16/0051 128/204.18
7,159,587	B2	1/2007	Drew et al.	
D564,384	S *	3/2008	Kapitulskiy .....	D10/81
7,703,457	B2	4/2010	Barnett et al.	
D638,931	S *	5/2011	Graham .....	A61M 16/0463 D24/127
D691,717	S *	10/2013	McLean .....	D24/110.6
D692,121	S *	10/2013	Fahy .....	D24/110
D692,128	S *	10/2013	Miller .....	D24/110.6
8,678,003	B2	3/2014	Darkin et al.	
8,701,658	B2 *	4/2014	Mazela .....	A61M 16/0816 128/200.14
D724,198	S *	3/2015	Oostman .....	D24/110.1
9,022,029	B2	5/2015	Varga et al.	
9,044,562	B2	6/2015	Dillingham et al.	
2005/0022828	A1 *	2/2005	Fukunaga .....	A61M 16/1055 128/204.18
2005/0066964	A1 *	3/2005	Bathe .....	A61M 16/08 128/200.14
2007/0113854	A1	5/2007	Mcauliffe	
2013/0213401	A1	8/2013	Haibach	
2014/0109901	A9	4/2014	Hallett et al.	
2015/0128950	A1	5/2015	Veliss et al.	

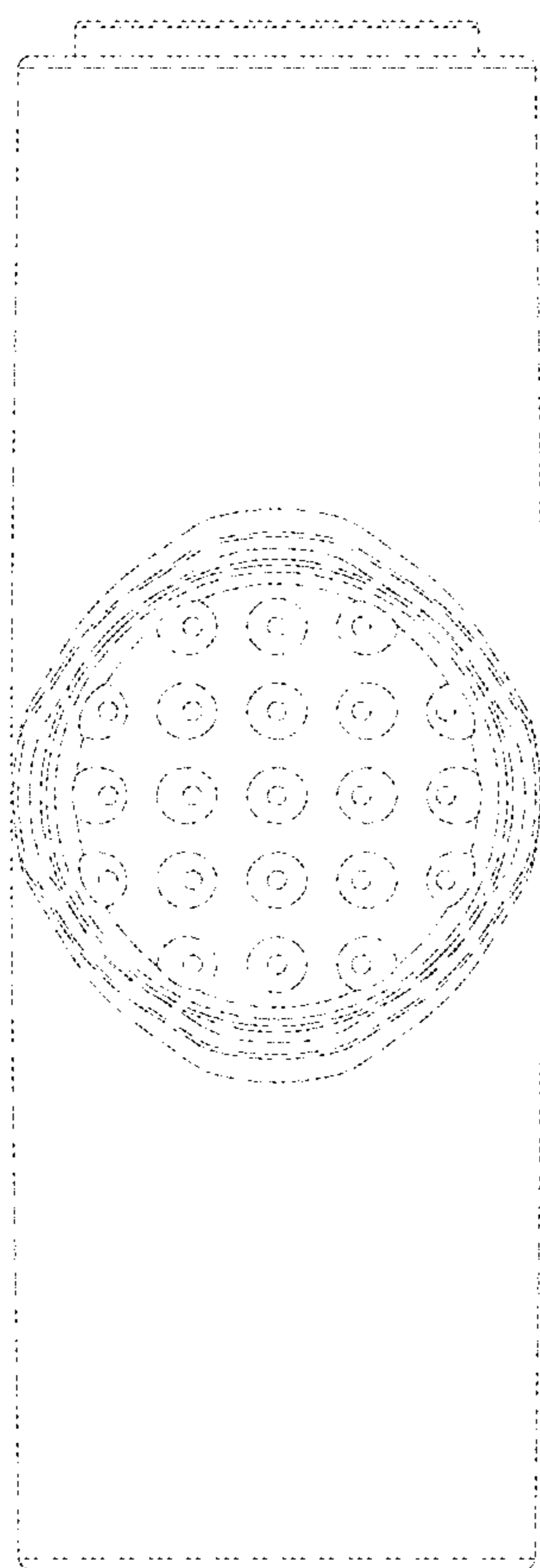
\* cited by examiner



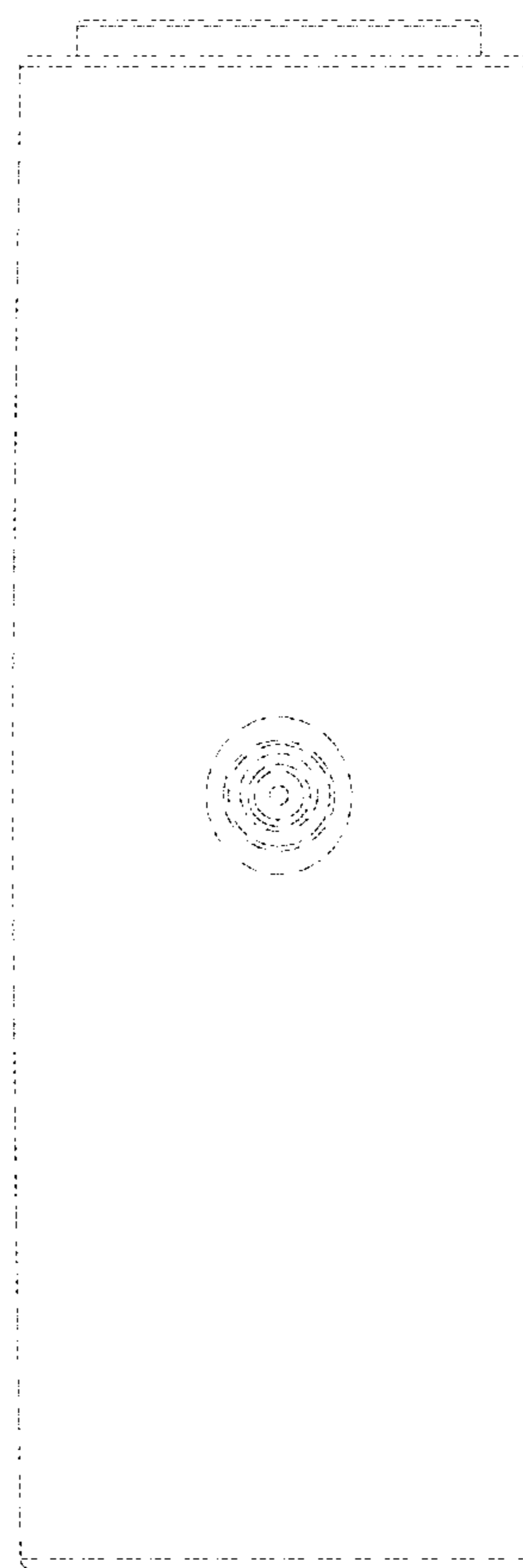
*FIG. 1*



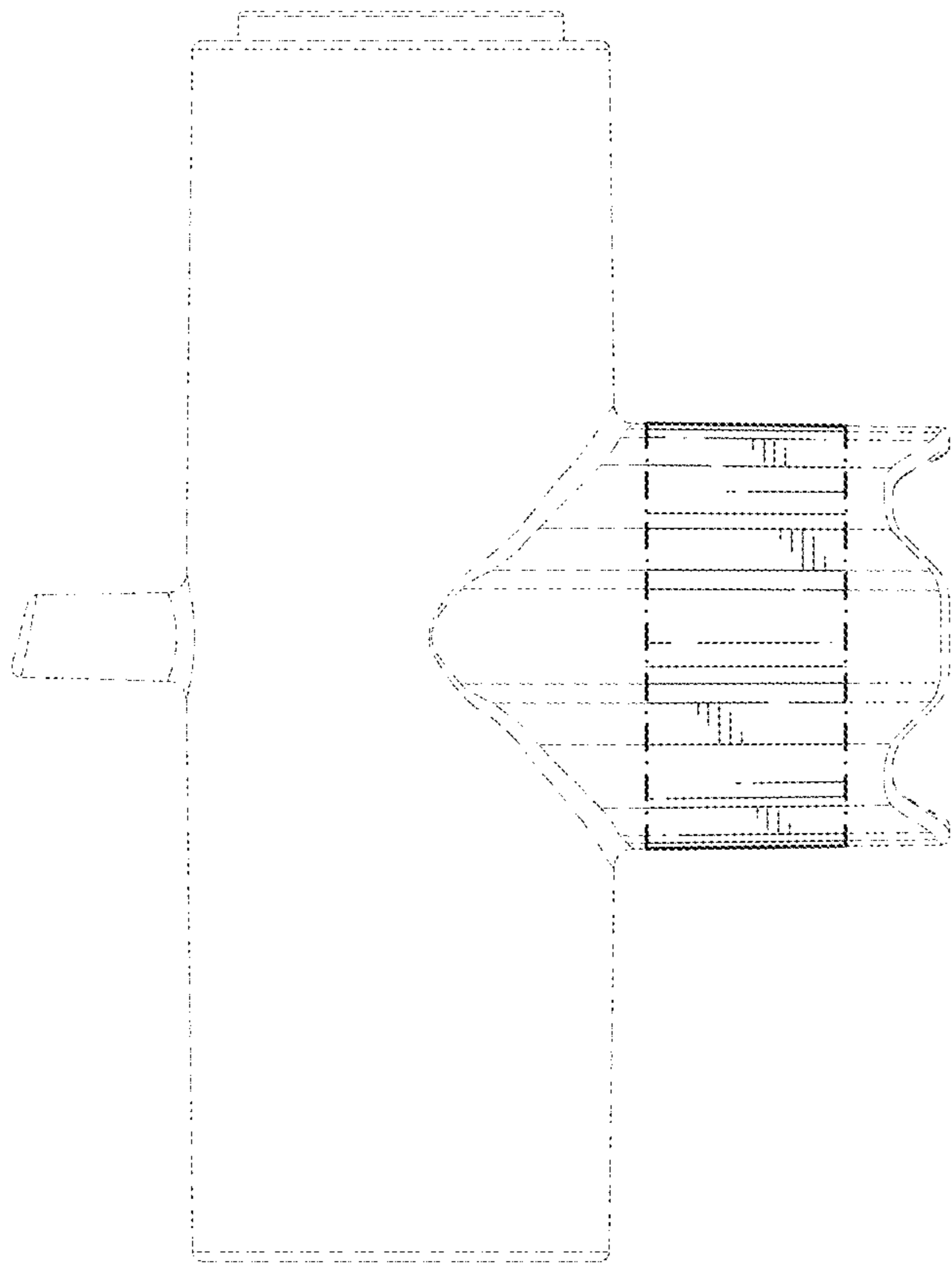
*FIG. 2*



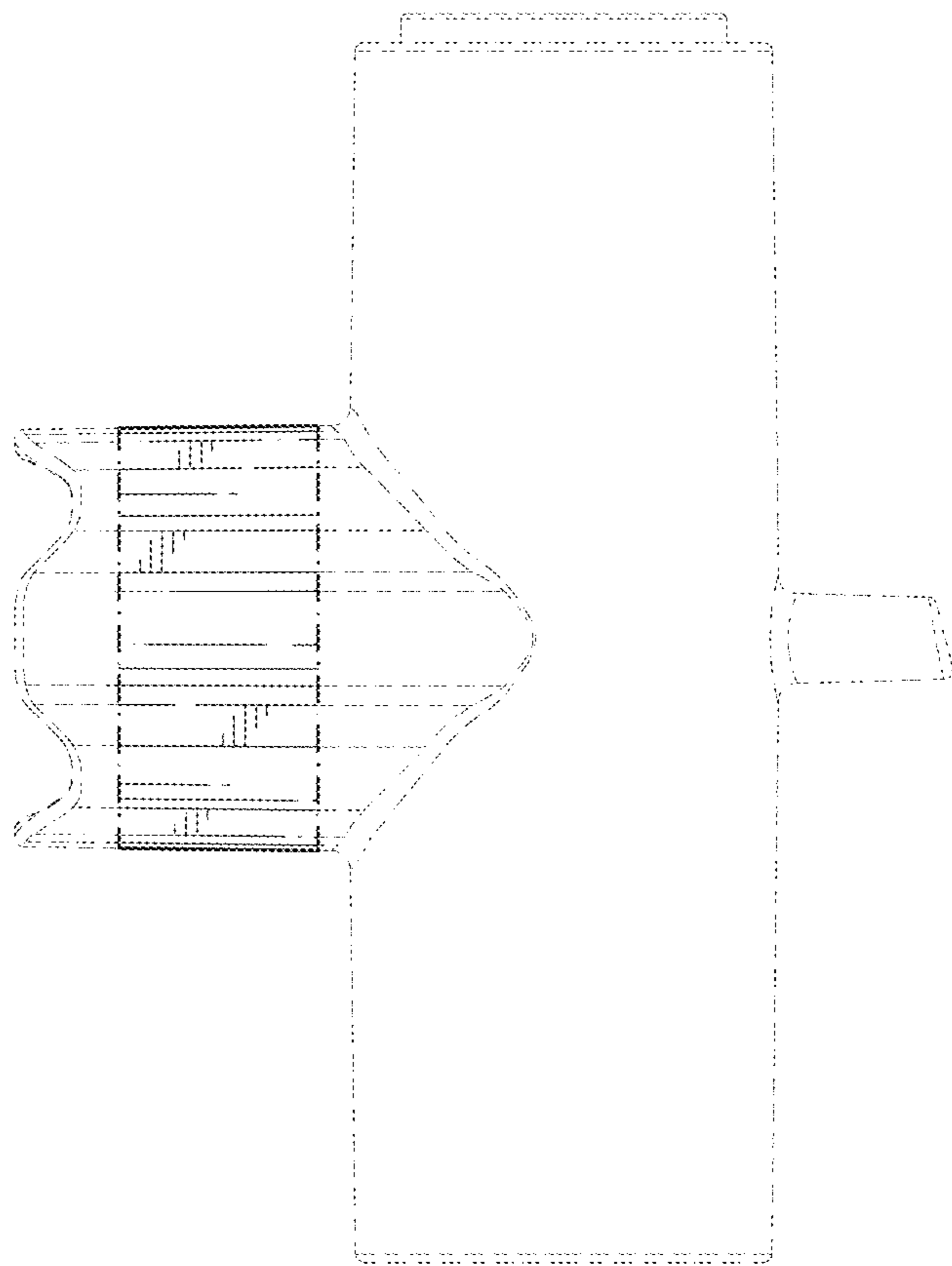
*FIG. 3*



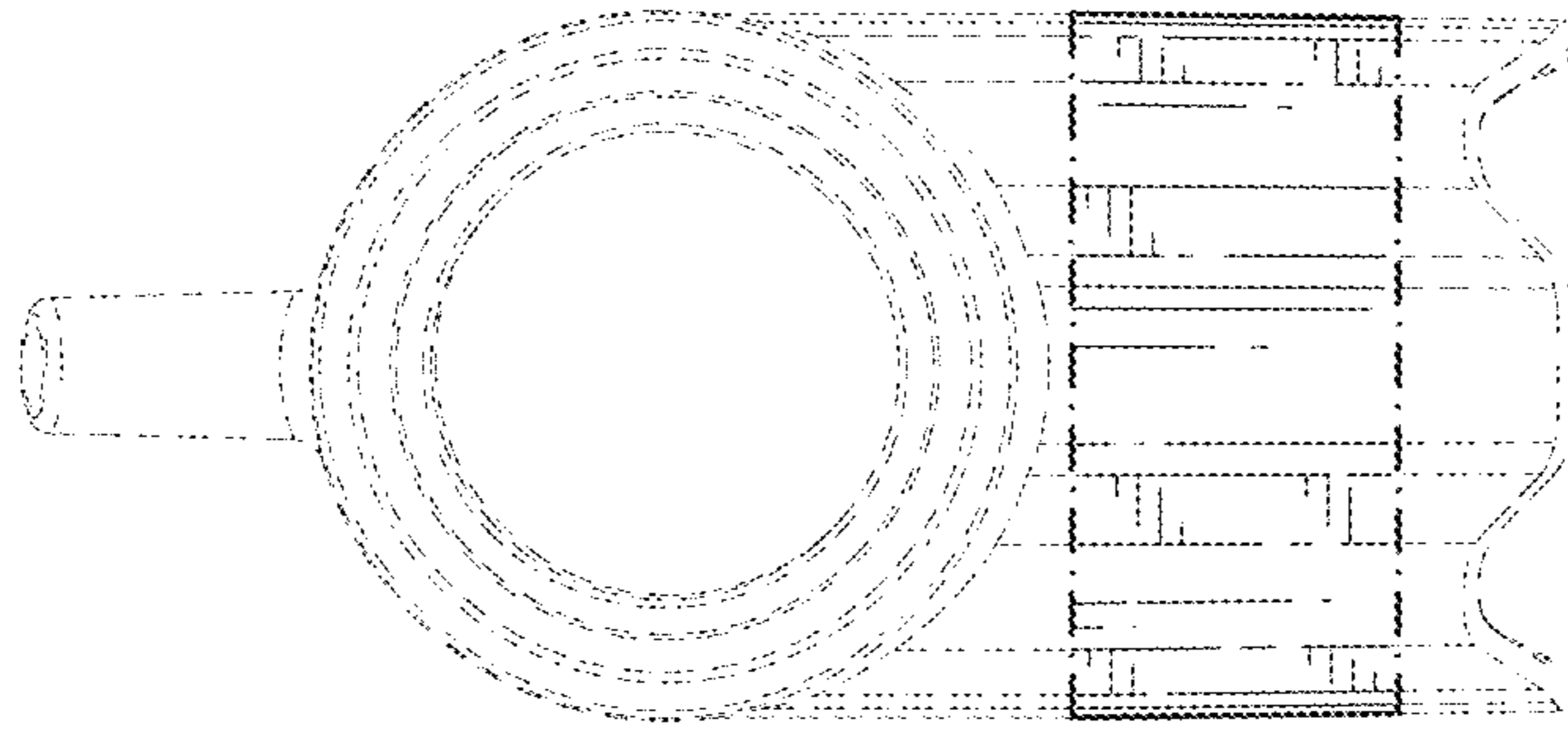
*FIG. 4*



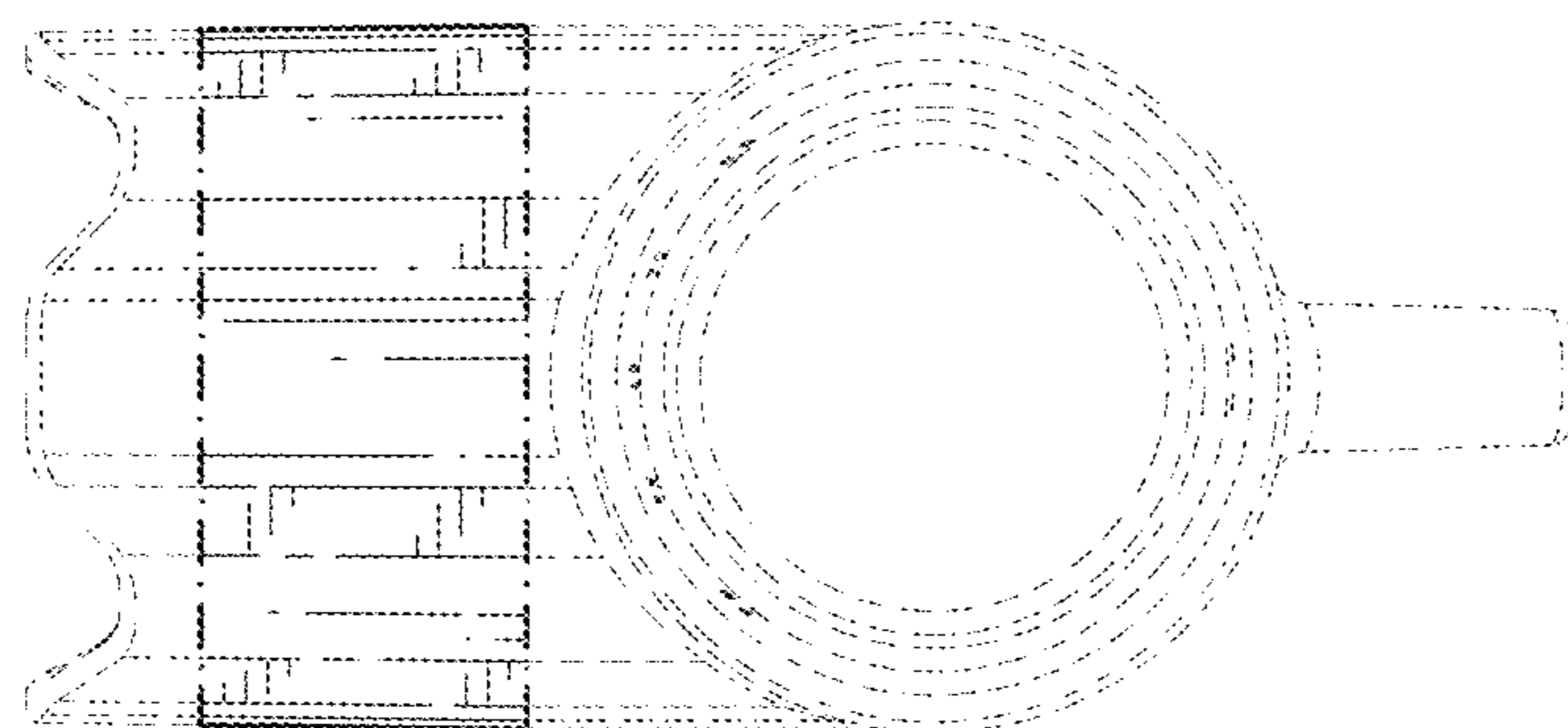
*FIG. 5*



*FIG. 6*



*FIG. 7*



*FIG. 8*