



US00D900998S

(12) **United States Design Patent** (10) **Patent No.:** **US D900,998 S**
Analytis et al. (45) **Date of Patent:** **** *Nov. 3, 2020**

(54) **BREAST PUMP MANIFOLD**

(71) Applicant: **Moxxy LLC**, Wilmington, DE (US)

(72) Inventors: **Santhi Analytis**, San Francisco, CA (US); **Cara Delzer**, San Francisco, CA (US); **Gabrielle Guthrie**, San Francisco, CA (US); **Jacob Kurzrock**, San Francisco, CA (US); **Wisit Jirattigalachote**, San Francisco, CA (US); **Hannah Clauson**, San Francisco, CA (US)

(73) Assignee: **Moxxy, LLC**, Wilmington, DE (US)

(*) Notice: This patent is subject to a terminal disclaimer.

(**) Term: **15 Years**

(21) Appl. No.: **29/670,709**

(22) Filed: **Nov. 19, 2018**

(51) **LOC (12) Cl.** **24-02**

(52) **U.S. Cl.**
USPC **D24/109**

(58) **Field of Classification Search**
USPC D24/107-109, 127, 193, 197, 111, 185;
D7/700
CPC A61M 1/062; A61M 1/06; A61M 1/066;
A61M 1/064; A61M 1/0031; A61M
1/0037
See application file for complete search history.

(56) **References Cited**

U.S. PATENT DOCUMENTS

4,950,236 A * 8/1990 Wilson A61M 1/0037
215/11.5
D609,331 S * 2/2010 Paterson D24/109

D676,956 S * 2/2013 Kirchner D24/109
10,183,102 B2 * 1/2019 Kim A61M 1/06
2010/0324477 A1 * 12/2010 Paterson A61M 1/06
604/74
2010/0324478 A1 * 12/2010 Kazazoglu A61M 1/06
604/74
2016/0082166 A1 * 3/2016 Guthrie A61M 1/062
604/74
2016/0220745 A1 * 8/2016 Guthrie A61M 1/06
2017/0216505 A1 * 8/2017 Kim A61M 1/064
2018/0093024 A1 * 4/2018 Analytis A61M 1/062
2018/0154055 A1 * 6/2018 Alvarez A61M 1/0072
2019/0038818 A1 * 2/2019 Hu A61F 7/007
2019/0275222 A1 * 9/2019 Evans A61M 1/064
2019/0328945 A1 * 10/2019 Analytis A61M 39/24
2020/0086020 A1 * 3/2020 Duineveld A61M 1/06

* cited by examiner

Primary Examiner — Lilyana Bekic

(74) *Attorney, Agent, or Firm* — Travis R. Banta;
TechLaw Ventures, PLLC

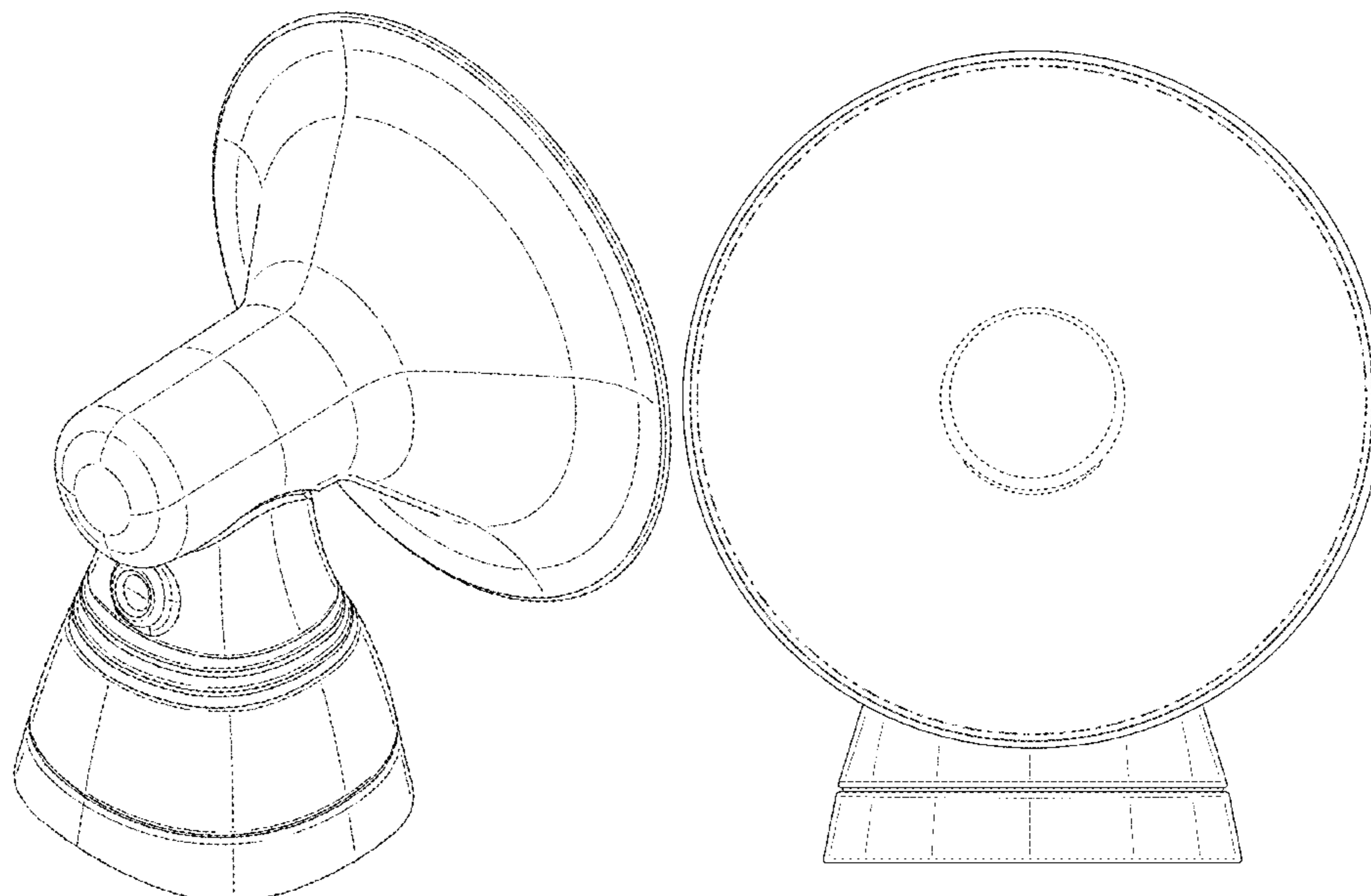
(57) **CLAIM**

The ornamental design for a breast pump manifold, as shown and described.

DESCRIPTION

FIG. 1 is a rear perspective view of a breast pump manifold showing our new design;
FIG. 2 is a front view thereof;
FIG. 3 is a rear view thereof;
FIG. 4 is a left side view thereof;
FIG. 5 is a right side view thereof;
FIG. 6 is a top view thereof; and,
FIG. 7 is a bottom view thereof.
The dash-dash broken lines in the drawings depict portions of the breast pump manifold that form no part of the claimed design. The dash-dot broken lines define the boundary of the claimed design and form no part thereof.

1 Claim, 7 Drawing Sheets



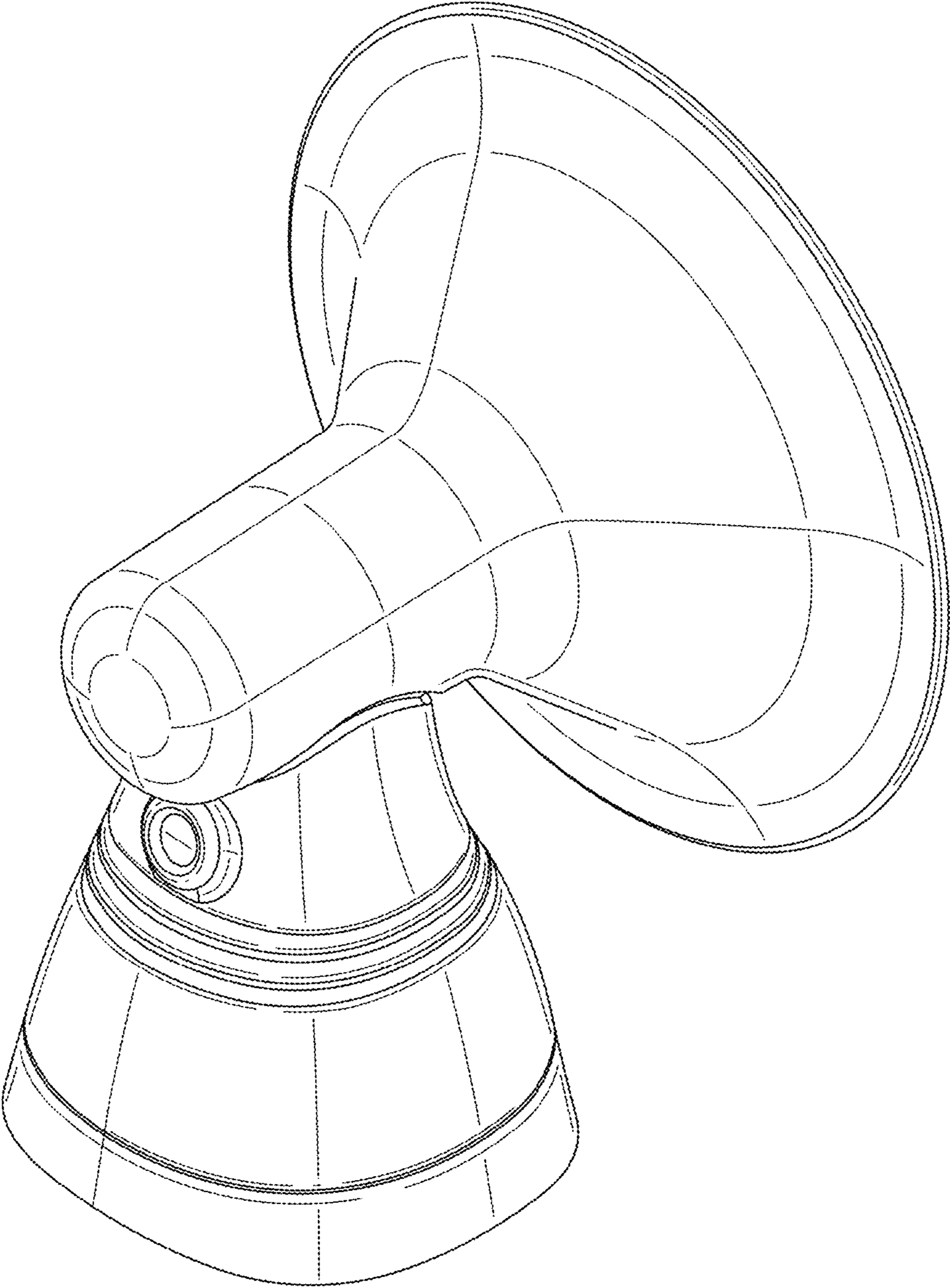


FIG. 1

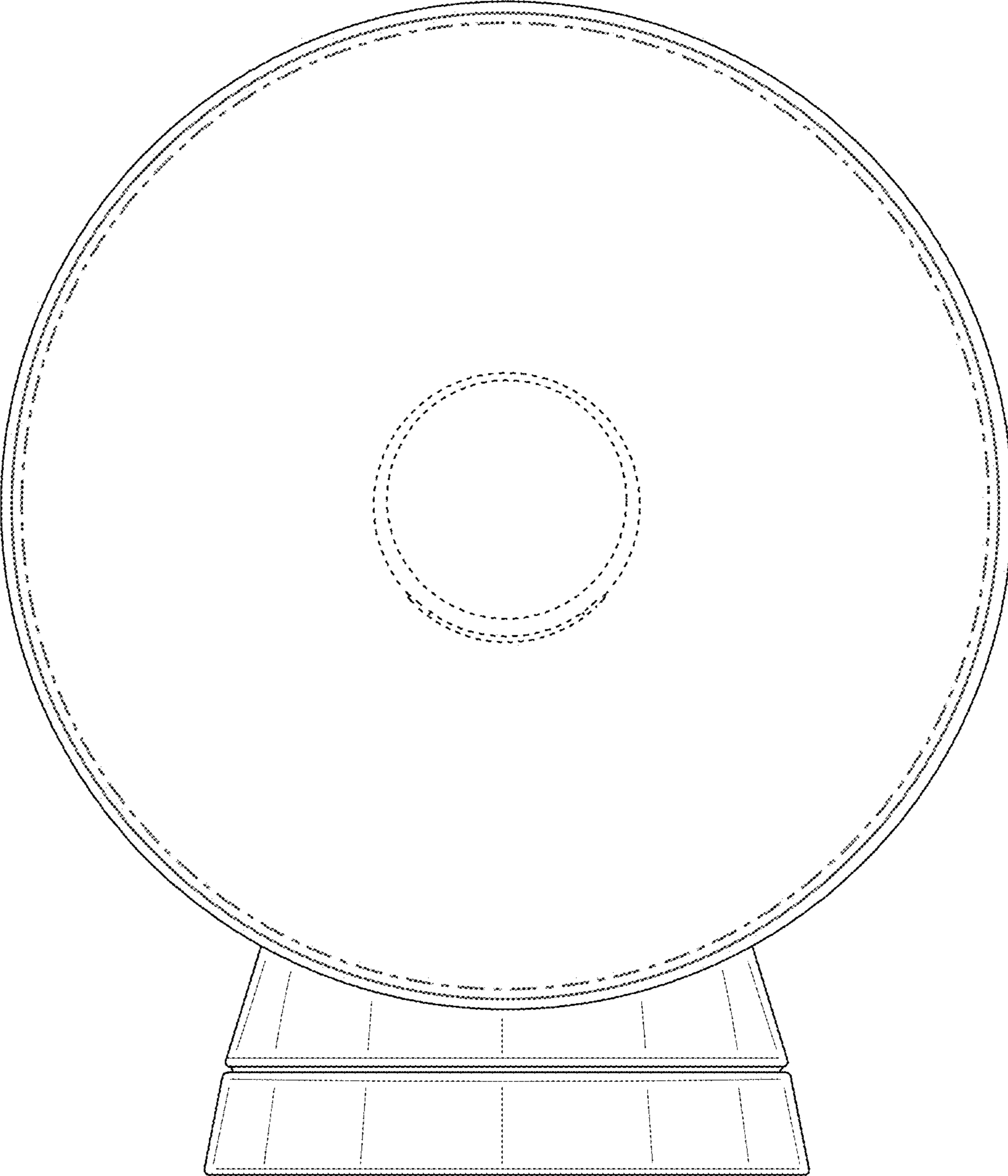


FIG. 2

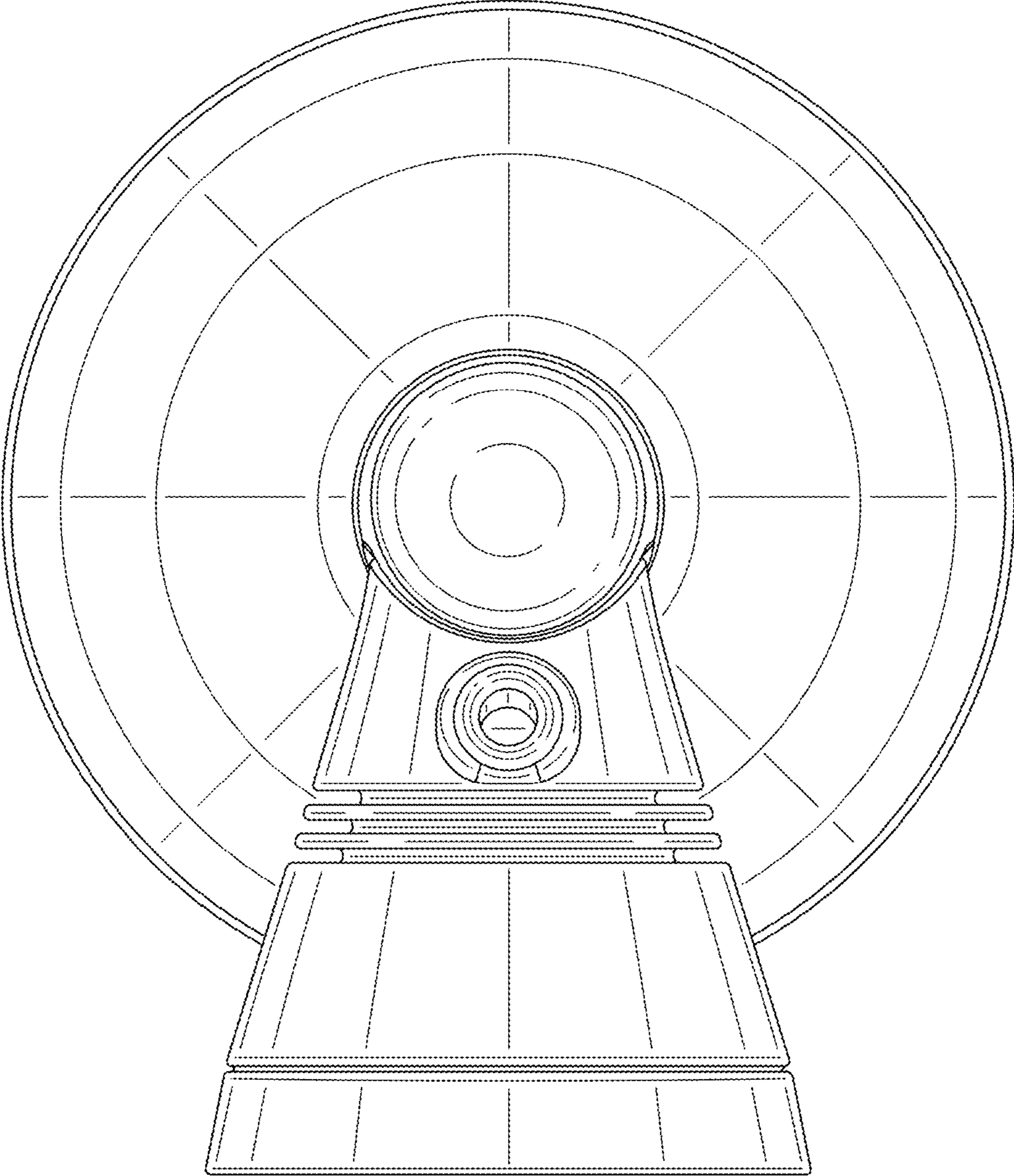


FIG. 3

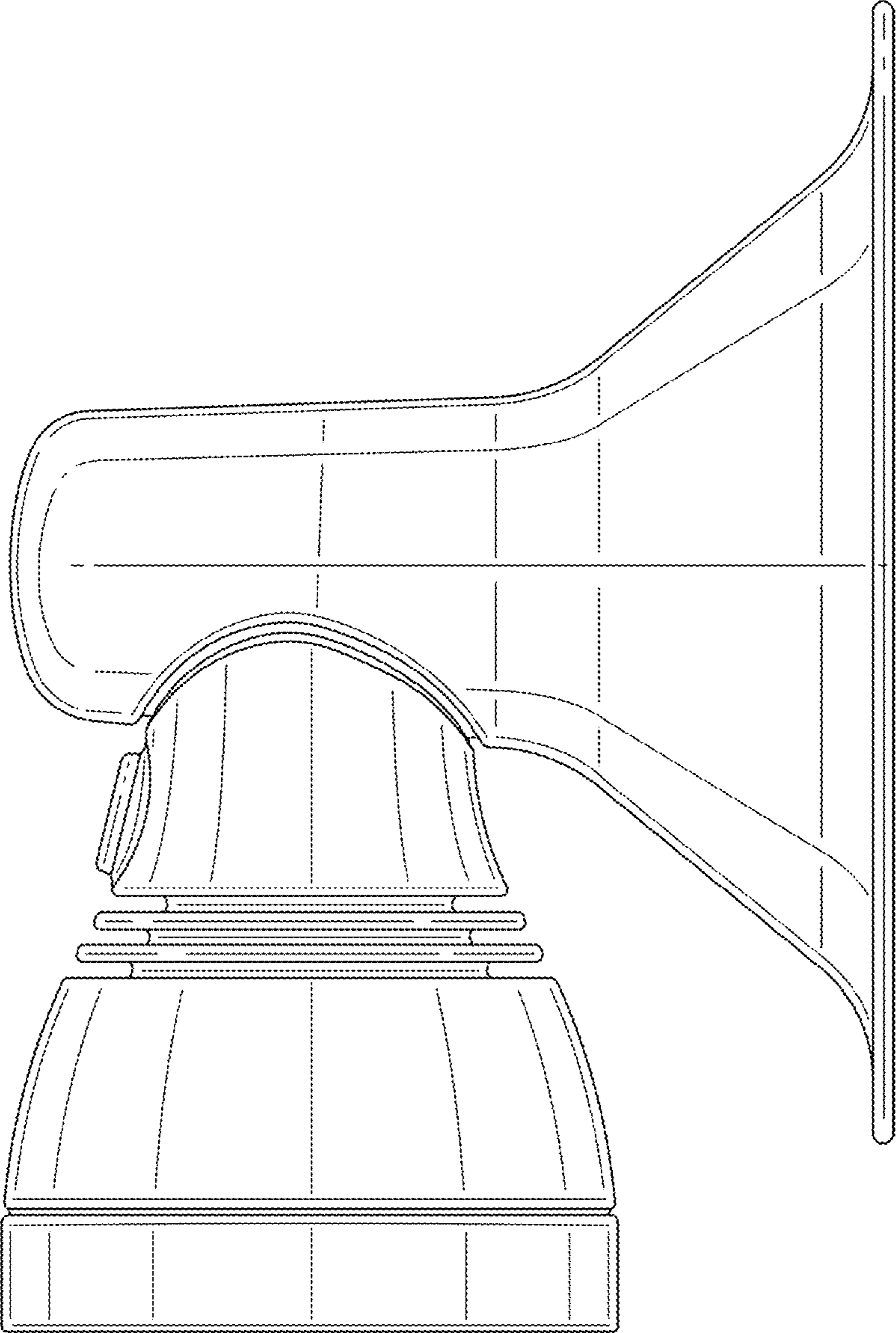


FIG. 4

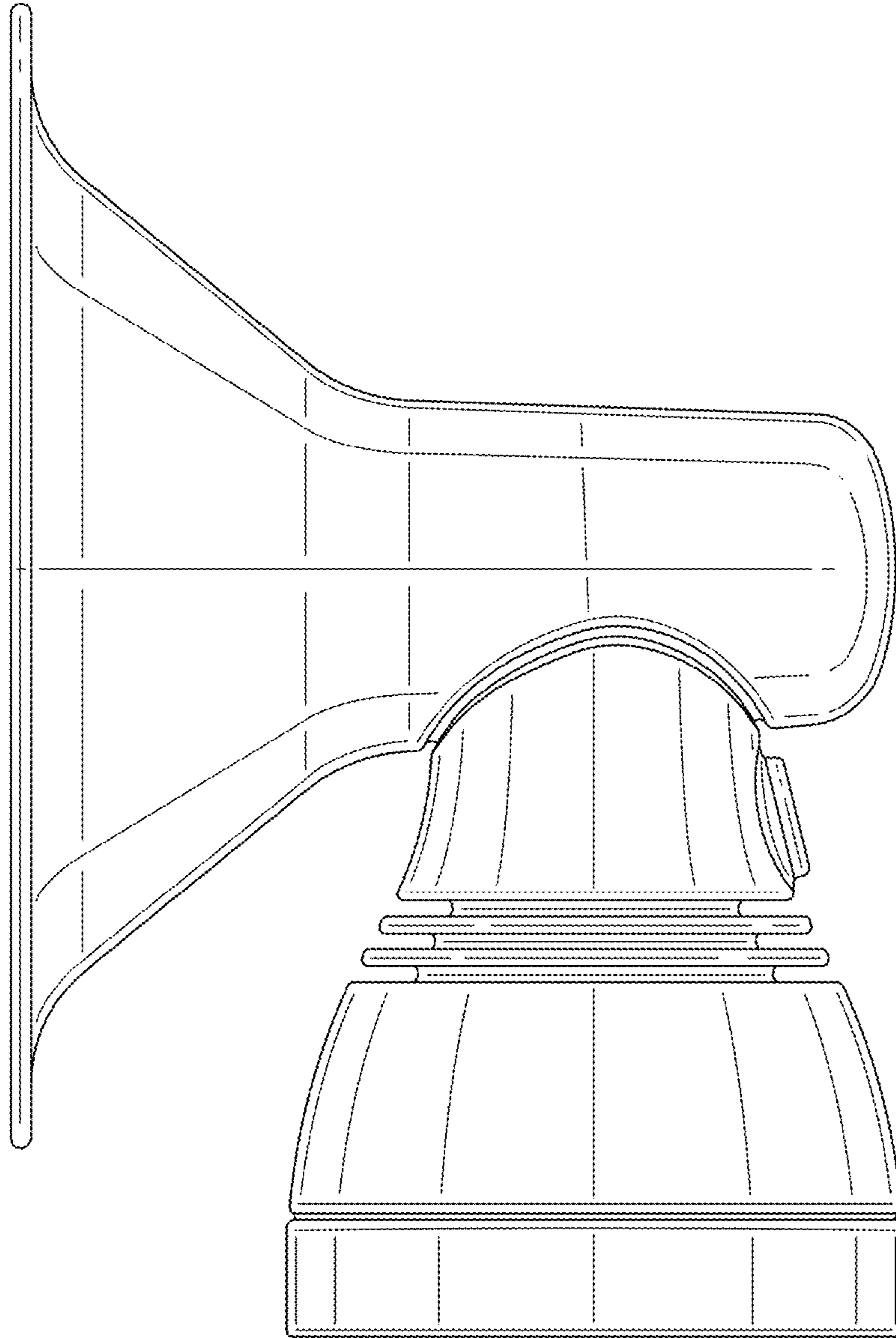


FIG. 5

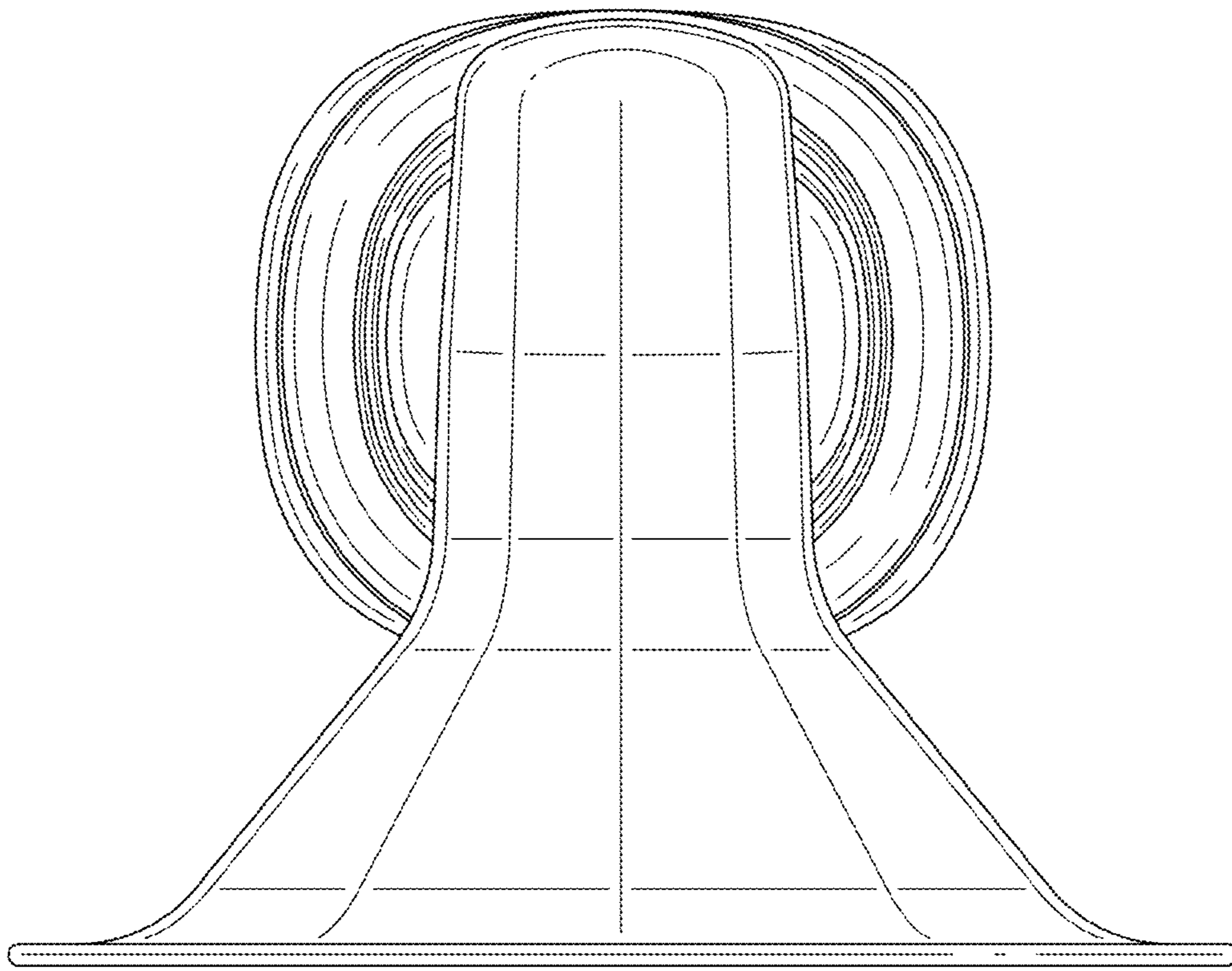


FIG. 6

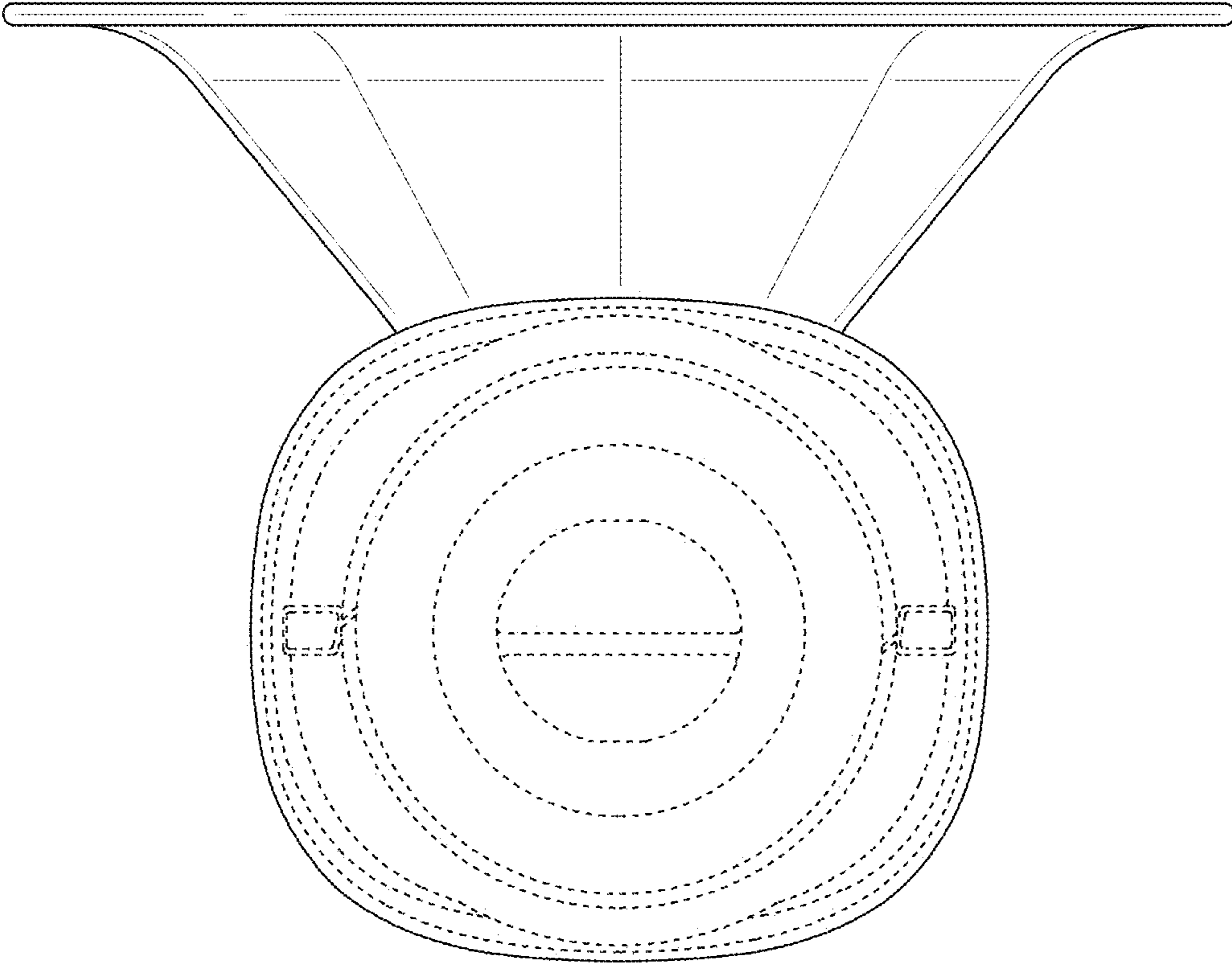


FIG. 7