



US00D900997S

(12) **United States Design Patent** (10) **Patent No.:** **US D900,997 S**  
**Ancerewicz** (45) **Date of Patent:** **\*\* Nov. 3, 2020**

- (54) **EAR IRRIGATION SPRAY TIP**
- (71) Applicant: **Sigmund H. Ancerewicz**, Naples, FL (US)
- (72) Inventor: **Sigmund H. Ancerewicz**, Naples, FL (US)
- (73) Assignee: **Sigmund H. Ancerewicz**, Naples, FL (US)
- (\*\*) Term: **15 Years**
- (21) Appl. No.: **29/699,161**
- (22) Filed: **Jul. 23, 2019**
- (51) **LOC (12) Cl.** ..... **24-01**
- (52) **U.S. Cl.**  
USPC ..... **D24/108**
- (58) **Field of Classification Search**  
USPC .... D24/108, 110, 110.5, 111, 113, 137, 151, D24/127, 129  
CPC ..... A61M 2210/0618; A61M 1/0058; A61M 1/0062; A61M 2205/82; A61M 1/0003; A61M 2205/8206; A61M 2210/0662; A61M 3/0262; A61M 3/0283; A61F 2007/0005; A61B 2017/246  
See application file for complete search history.

D485,616 S *	1/2004	Baillargeon	.....	D24/129
6,706,023 B1	3/2004	Huttner		
D665,497 S *	8/2012	Marshall	.....	D24/130
D736,906 S *	8/2015	Schultz	.....	D24/108
D747,457 S *	1/2016	Glance	.....	D24/108
D791,938 S *	7/2017	Becker	.....	D24/129
D792,584 S *	7/2017	Ingram	.....	D24/127
D873,997 S *	1/2020	Ljunglof	.....	D24/130
D881,386 S *	4/2020	Tiedeken	.....	D24/127
D884,886 S *	5/2020	Kangastupa	.....	D24/129

\* cited by examiner

*Primary Examiner* — Nathan M Johnston  
(74) *Attorney, Agent, or Firm* — Shumaker, Loop & Kendrick, LLP

(57) **CLAIM**

The ornamental design for an ear irrigation spray tip, as shown and described.

**DESCRIPTION**

FIG. 1 is a side perspective view of an ear irrigation spray tip showing my new design;  
 FIG. 2 is a top view of the ear irrigation spray tip thereof;  
 FIG. 3 is a bottom view of the ear irrigation spray tip thereof;  
 FIG. 4 is a first horizontal side view of the ear irrigation spray tip thereof;  
 FIG. 5 is a second horizontal side view of the ear irrigation spray tip thereof;  
 FIG. 6 is a first vertical side view of the ear irrigation spray tip thereof;  
 FIG. 7 is a second vertical side view of the ear irrigation spray tip thereof; and,  
 FIG. 8 is a cross sectional view along lines 8-8 of FIG. 2 of the ear irrigation spray tip thereof.

**1 Claim, 5 Drawing Sheets**

- (56) **References Cited**  
U.S. PATENT DOCUMENTS  
D270,283 S \* 8/1983 Goodnow ..... D24/110  
D299,865 S \* 2/1989 Kamstrup-Larsen ..... D24/130  
D406,339 S \* 3/1999 Stacks ..... D24/137  
D416,086 S \* 11/1999 Parris ..... D24/112

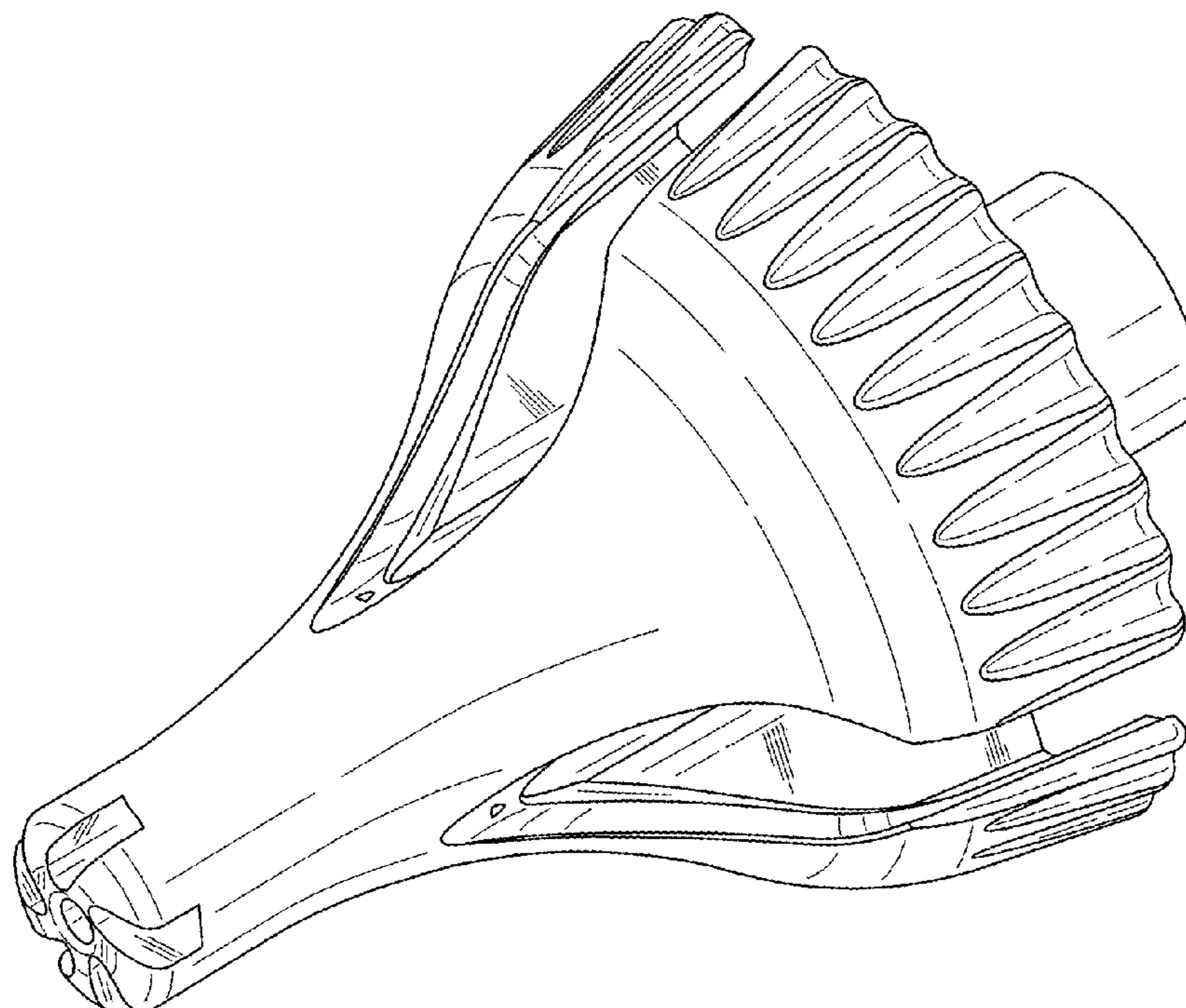


FIG. 1

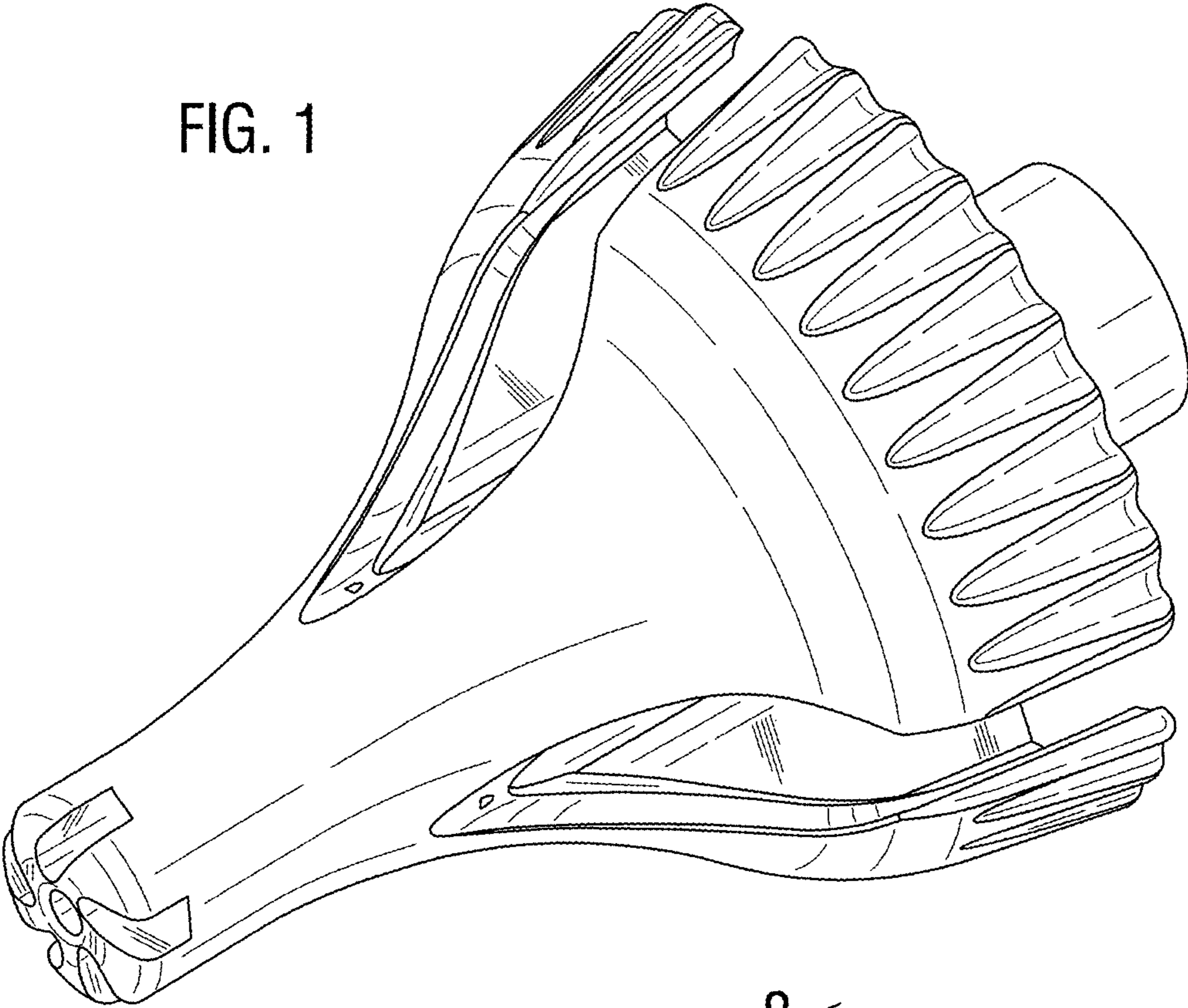


FIG. 2

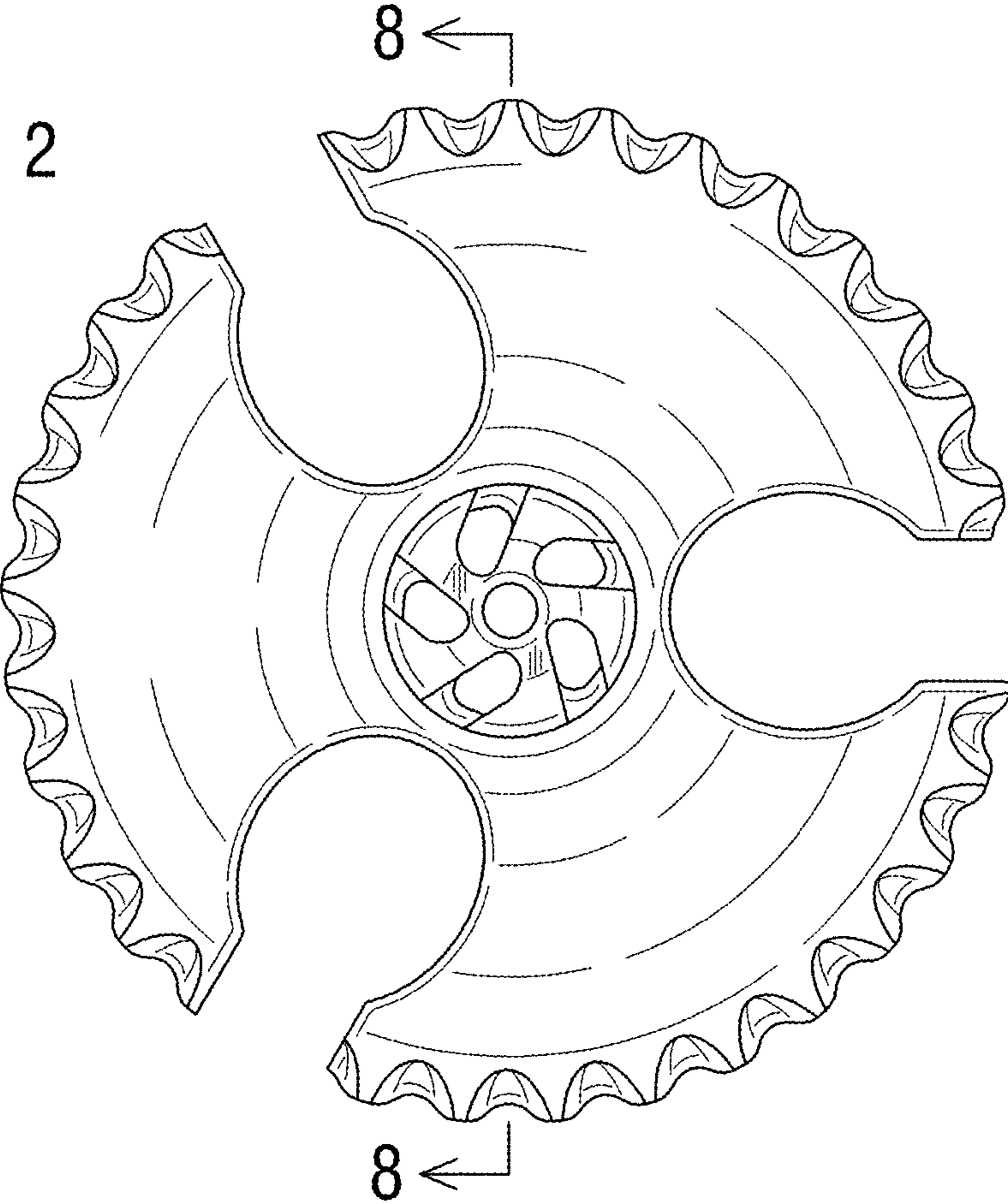


FIG. 3

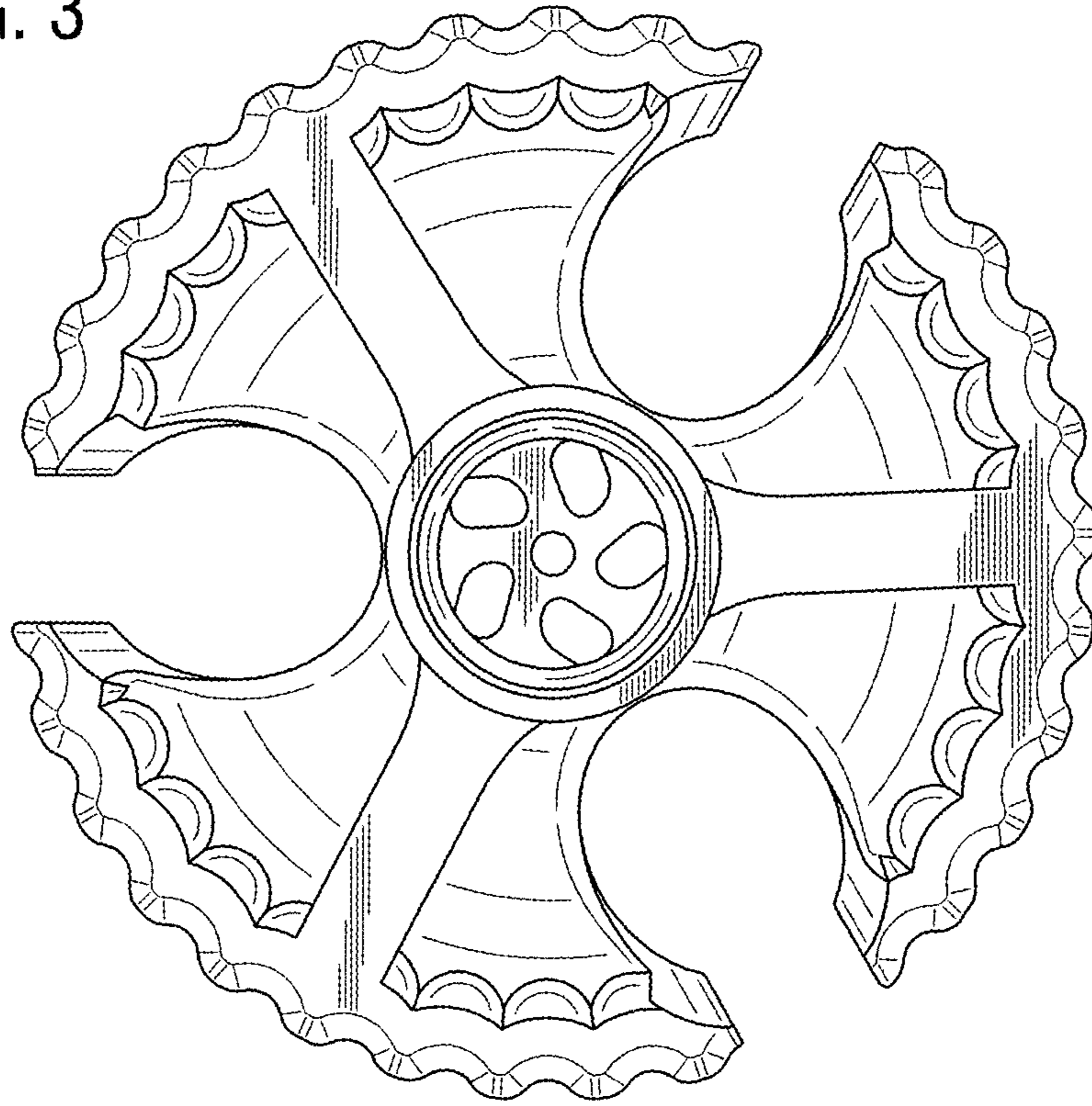


FIG. 4

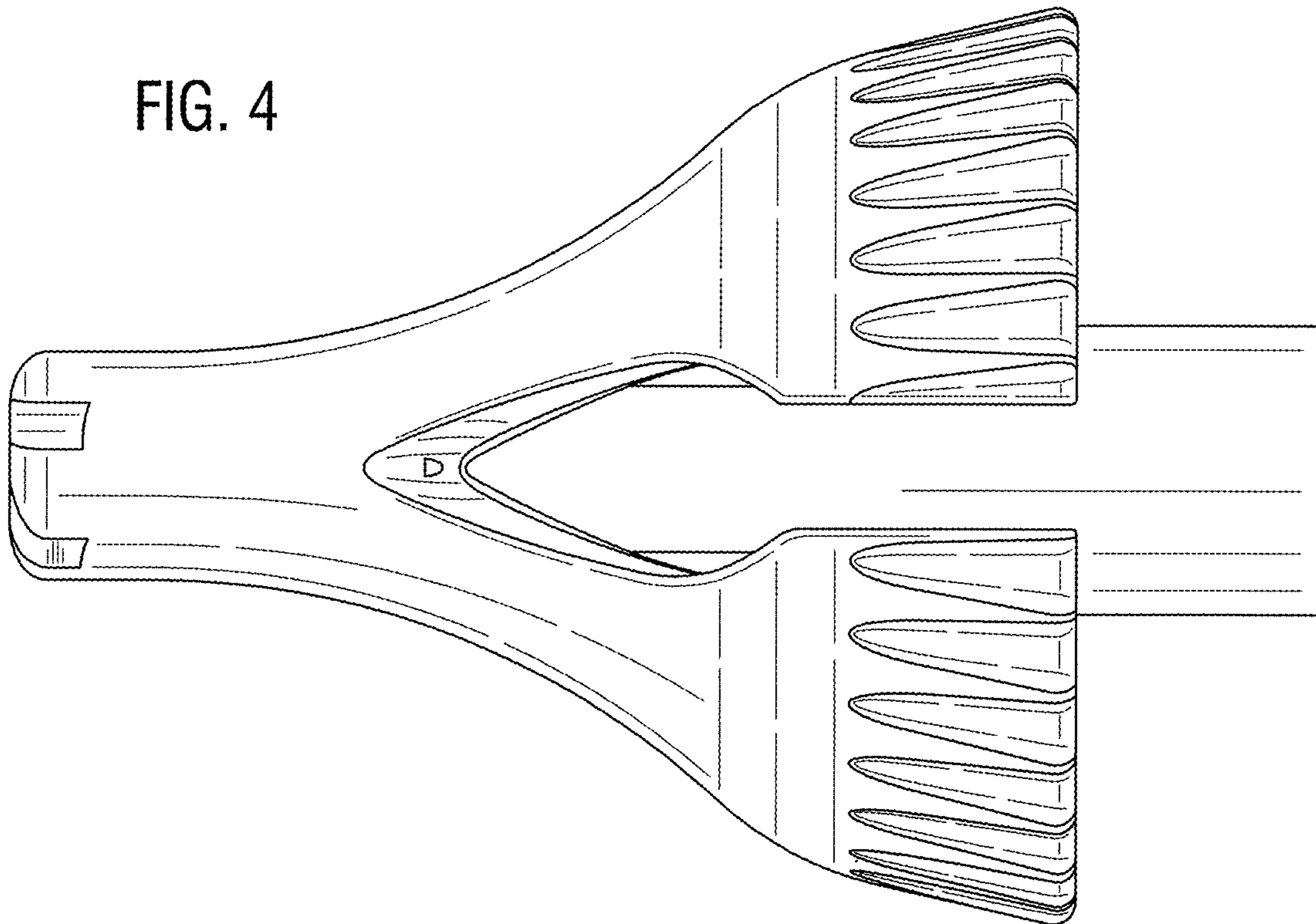


FIG. 5

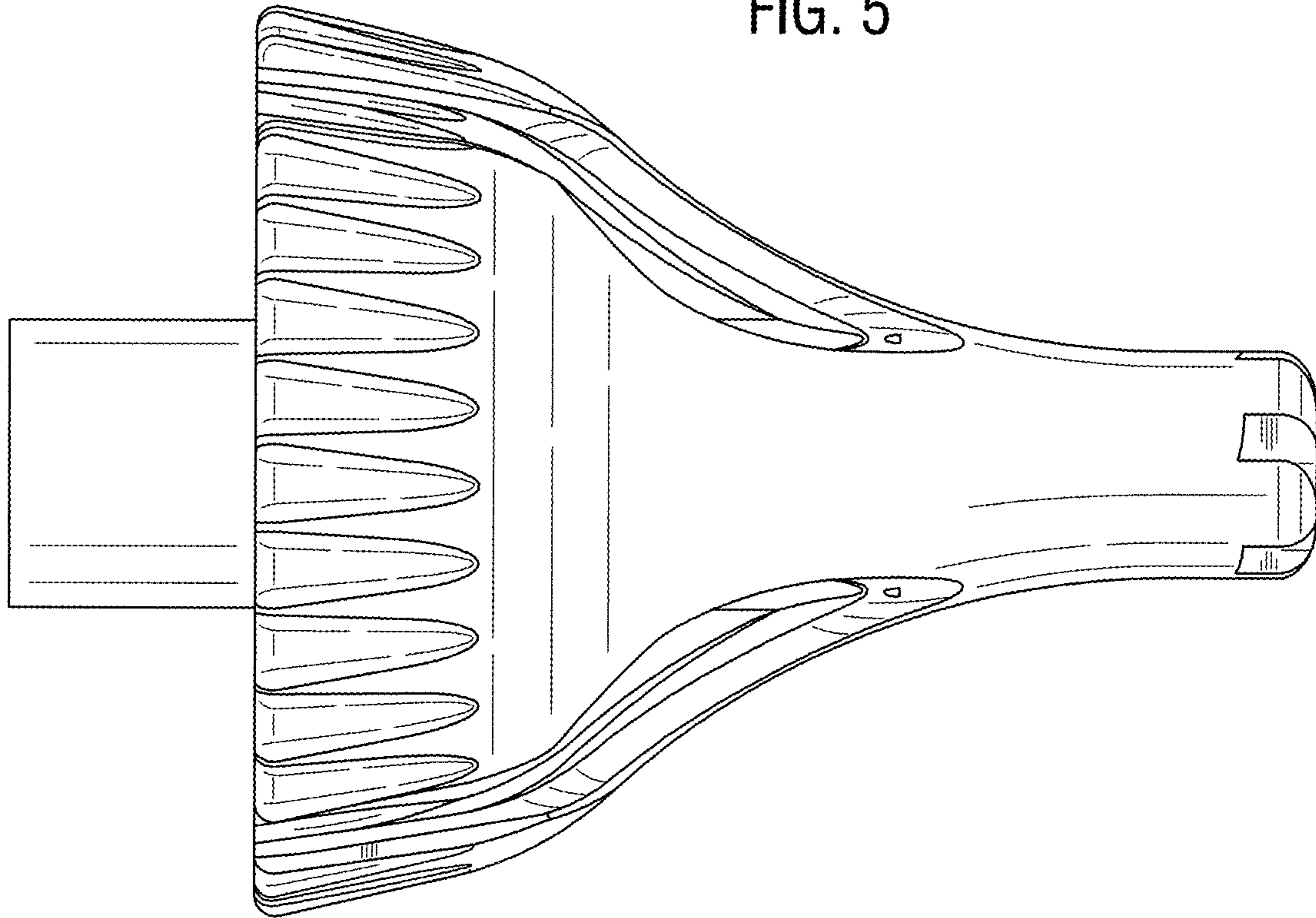


FIG. 8

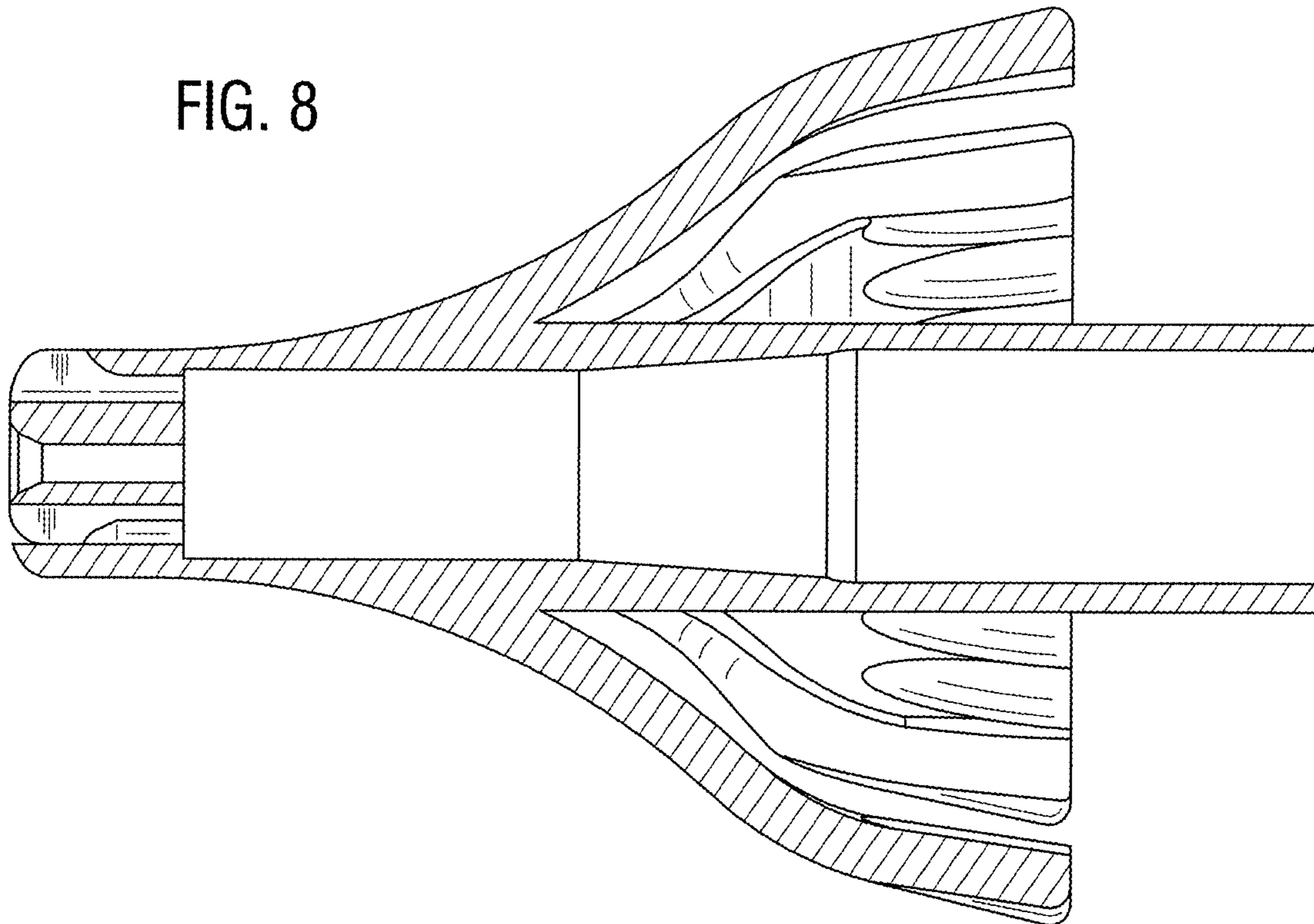


FIG. 6

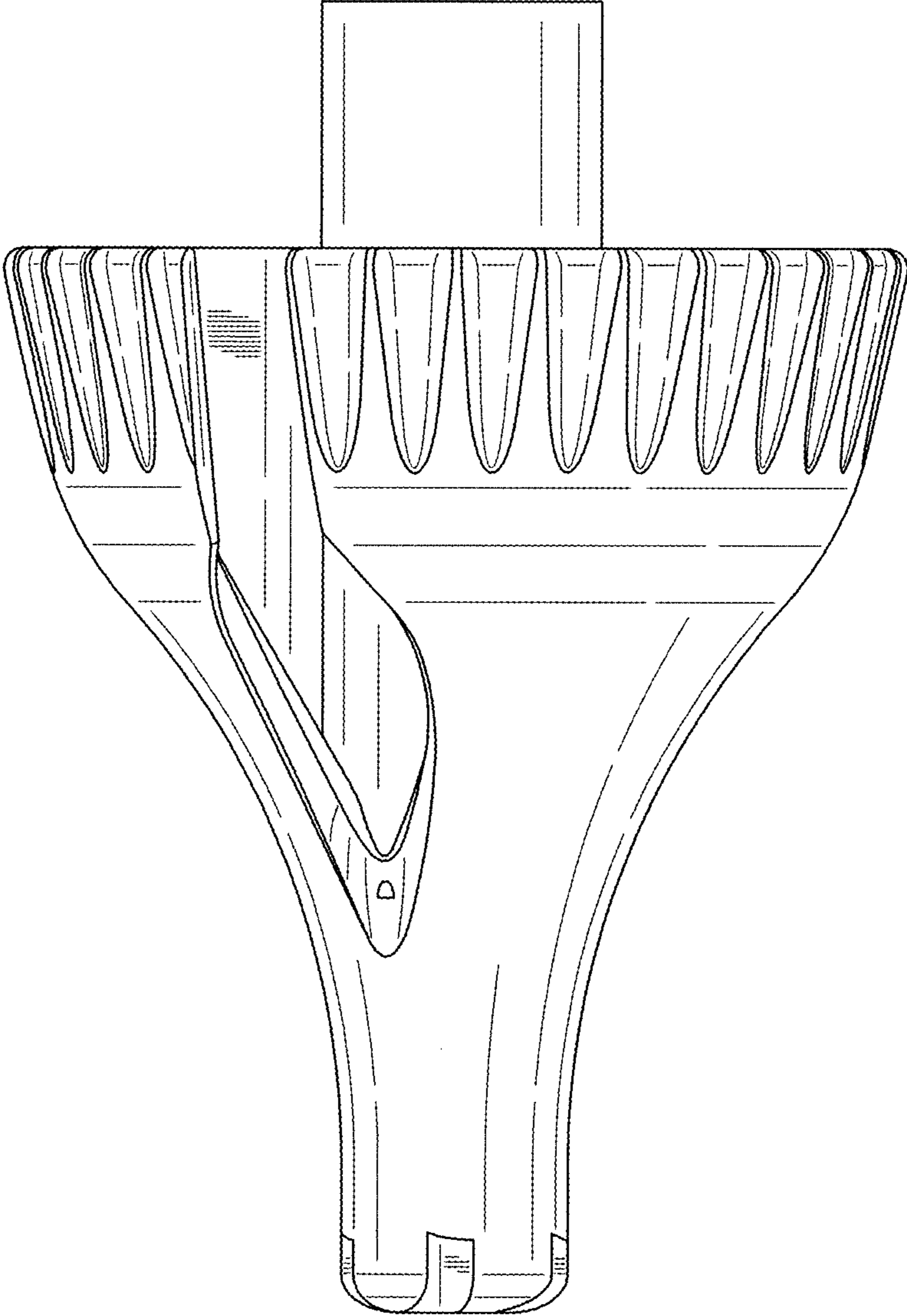


FIG. 7

