



US00D900993S

(12) **United States Design Patent** (10) **Patent No.:** **US D900,993 S**
McRoberts (45) **Date of Patent:** **** Nov. 3, 2020**

- (54) **CEILING FAN BLADE IRON**
- (71) Applicant: **HUNTER FAN COMPANY**,
Memphis, TN (US)
- (72) Inventor: **Claire Bernice McRoberts**, Memphis,
TN (US)
- (73) Assignee: **Hunter Fan Company**, Memphis, TN
(US)
- (**) Term: **15 Years**
- (21) Appl. No.: **29/721,790**
- (22) Filed: **Jan. 23, 2020**

- D408,078 S * 4/1999 Zuege D23/377
 - D408,523 S 4/1999 Thomas
 - D411,295 S * 6/1999 Evans D23/377
 - D417,499 S * 12/1999 Zuege D23/377
 - D424,679 S 5/2000 LaSpina
 - D428,982 S 8/2000 Oldenburg
 - D435,901 S 1/2001 Tsuji
 - D435,902 S 1/2001 Huang
 - D437,046 S 1/2001 Tsuji
- (Continued)

Related U.S. Application Data

- (62) Division of application No. 29/625,915, filed on Nov. 14, 2017, now Pat. No. Des. 876,697, which is a division of application No. 29/582,629, filed on Oct. 28, 2016, now Pat. No. Des. 811,574.
- (51) **LOC (12) Cl.** **23-04**
- (52) **U.S. Cl.**
USPC **D23/411**
- (58) **Field of Classification Search**
USPC ... D26/59, 24, 118, 119, 121-124, 128-137,
D26/87; D23/370, 377-385, 411-414
CPC F04D 25/088; F04D 29/38; F21V 21/03
See application file for complete search history.

(56) **References Cited**

U.S. PATENT DOCUMENTS

- D83,940 S 4/1931 Aglow
- D270,757 S 9/1983 Dennis
- D315,946 S 4/1991 Hollbrook
- D364,224 S 11/1995 Wang
- D392,035 S 3/1998 Gee, II
- D394,103 S 5/1998 Lee
- D405,172 S 2/1999 LaSpina
- D407,154 S * 3/1999 Thomas D23/377
- D408,076 S * 4/1999 Zuege D23/377

OTHER PUBLICATIONS

<http://www.homedepot.com/p/Hampton-Bay-Havenville-52-in-Berre-Walnut-Ceiling-Fan-14951/203136411>, Item Specification for Hampton Bay Havenville 52in Berre Walnut Ceiling Fan Model 14951, accessed on Oct. 27, 2016.

(Continued)

Primary Examiner — Janice Hallmark

(74) *Attorney, Agent, or Firm* — McGarry Bair PC

(57) **CLAIM**

The ornamental design for a ceiling fan blade iron, as shown and described.

DESCRIPTION

FIG. 1 is a bottom perspective view of a ceiling fan blade iron shown in the environment of a ceiling fan, showing my new design;

FIG. 2 is a top perspective view thereof;

FIG. 3 is a top view thereof;

FIG. 4 is a bottom view thereof;

FIG. 5 is a right side view thereof;

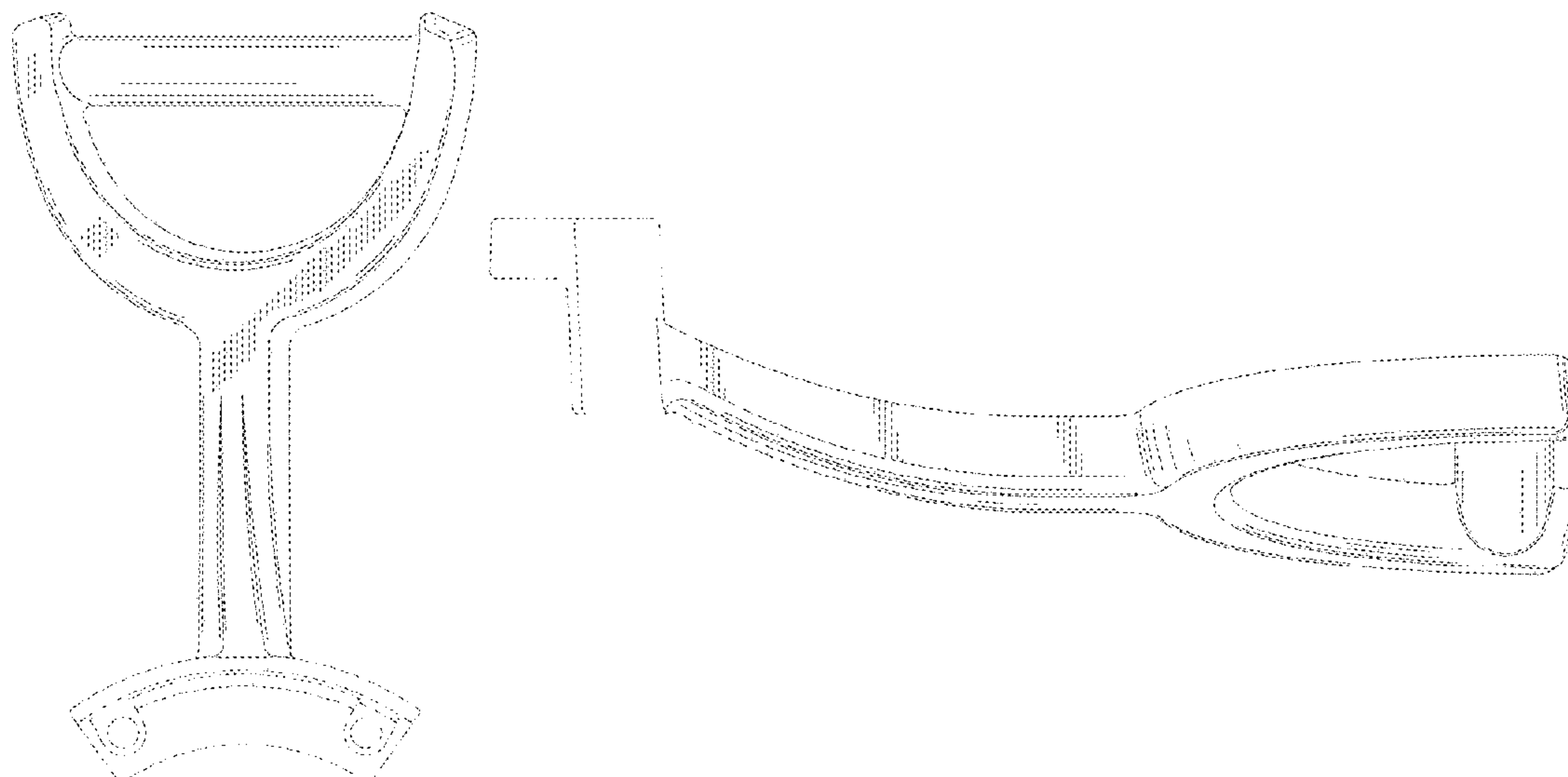
FIG. 6 is a rear side view thereof;

FIG. 7 is a left side view thereof; and,

FIG. 8 is a front side view thereof.

Portions of the ceiling fan blade iron and the ceiling fan environment are shown in broken lines. Portions shown in broken lines form no part of the claimed design.

1 Claim, 8 Drawing Sheets



(56)

References Cited

OTHER PUBLICATIONS

U.S. PATENT DOCUMENTS

D440,649 S 4/2001 Tsuji
 D454,632 S 3/2002 Huang
 D464,132 S * 10/2002 Campbell D23/411
 D478,163 S * 8/2003 Campbell D23/411
 D480,134 S 9/2003 Wilson
 D480,798 S * 10/2003 Huang D23/411
 D481,117 S 10/2003 Tsuji
 D483,463 S 12/2003 Tai
 D483,465 S 12/2003 Tai
 D483,855 S 12/2003 Stauffer
 D484,968 S * 1/2004 Huang D23/411
 D486,215 S 2/2004 Hsieh
 D489,811 S * 5/2004 Hsieh D23/411
 D499,478 S 12/2004 Thomas, Jr.
 D525,355 S * 7/2006 Hidalgo D23/411
 D526,078 S 8/2006 Holmes
 D526,733 S 8/2006 Ertze
 D533,955 S 12/2006 Pan
 D536,466 S 2/2007 Pan
 D559,970 S 1/2008 Frampton
 D567,360 S * 4/2008 Curtin D23/411
 D571,909 S * 6/2008 Curtin D23/411
 D575,444 S 8/2008 Lissoni
 D581,512 S * 11/2008 Hidalgo D23/411
 D599,469 S * 9/2009 Yang D23/411
 D599,470 S * 9/2009 Searle D23/411
 D612,890 S 4/2010 Chen
 D627,046 S 11/2010 Wang
 D627,049 S 11/2010 Glasbrenner
 D632,382 S 2/2011 Pan
 D671,202 S 11/2012 Searle
 D671,631 S 11/2012 Searle
 D688,828 S 8/2013 Orozco
 D707,346 S * 6/2014 Shurtleff D23/411
 D707,347 S * 6/2014 Wang D23/411
 D707,348 S * 6/2014 Pan D23/411
 D714,925 S 10/2014 Pan
 D778,427 S * 2/2017 Hidalgo D23/411
 D811,574 S 2/2018 McRoberts
 D817,476 S * 5/2018 Holmes D23/411
 D818,631 S 5/2018 Zhang
 D845,535 S 4/2019 Van Duysen
 D845,536 S 4/2019 Van Duysen
 D851,318 S 6/2019 Amato et al.
 D855,790 S * 8/2019 Badarello D23/411
 2011/0286204 A1 11/2011 Lord

<http://www.hunterfan.com/Ceiling-Fans/Altitude?ModelNumber=59015>, Item Specification for Hunter Fan Altitude—52in Ceiling Fan Model 59015, accessed on Oct. 27, 2016.
<http://www.menards.com/main/lighting-ceiling-fans/ceiling-fans/shop-all-ceiling-fans/turn-of-the-century-somerville-52in-oil-rubbed-bronze-ceiling-fan/p-1444438422983-c-7488.htm?tid=6371324041319451390>, Item Specification for Turn of the Century Somerville 52in Oil-Rubbed Bronze Transitional Ceiling Fan, accessed on Oct. 27, 2016.
<http://www.menards.com/main/lighting-ceiling-fans/ceiling-fans/shop-all-ceiling-fans/turn-of-the-century-yellowstone-56in-aged-walnut-ceiling-fan/p-1444438418412-c-7488.htm?tid=6371324041319451390>, Item Specification for Turn of the Century Yellowstone 56in Aged Walnut Rustic and Lodge Ceiling Fan, accessed on Oct. 27, 2016.
<http://www.kichler.com/products/product/52-inch-sutter-place-premier-fan-obb-339400obb.aspx>, Item Specification for Kichler Sutter Place Premier Collection 52in Ceiling Fan Model 339400OBB, accessed on Oct. 27, 2016.
<http://www.quoruminternational.com/index.cfm/app/productDetail?product=79525-44>, Item Specification for Quorum International 79525-44 Ceiling Fan, accessed on Oct. 27, 2016.
<http://www.quoruminternational.com/index.cfm/app/productDetail?product=43306-95>, Item Specification for Quorum International 43306-95 Ceiling Fan, accessed on Oct. 27, 2016.
<http://www.kichler.com/products/product/52-inch-lyndon-fan-oz-300120oz.aspx>, Item Specification for Kichler 52in Lyndon Fan OZ Model 300120OZ, accessed on Oct. 27, 2016.
<http://www.hunterfan.com/Ceiling-Fans/Adirondack?ModelNumber=59006>, Item Specification for Hunter Fan Adirondack 52 in Ceiling Fan Model 59006, accessed on Oct. 27, 2016.
<http://kingoffans.com/#/products/ceilingFans>, Item Specification for King of Fans Cameron II Ceiling Fan, accessed on Oct. 27, 2016.
http://www.cens.com/cens/html/en/product/product_main_77127.html, Item Specification for Air Cool Industrial Co. Jupiter-Champagne Lights Series Ceiling Fan Model YG075, accessed on Oct. 27, 2016.
http://www.cens.com/cens/html/en/product/product_main_77126.html, Item Specification for Air Cool Industrial Co. Lyra-Champagne Lights Series Ceiling Fan Model CE1009, accessed on Oct. 27, 2016.

* cited by examiner

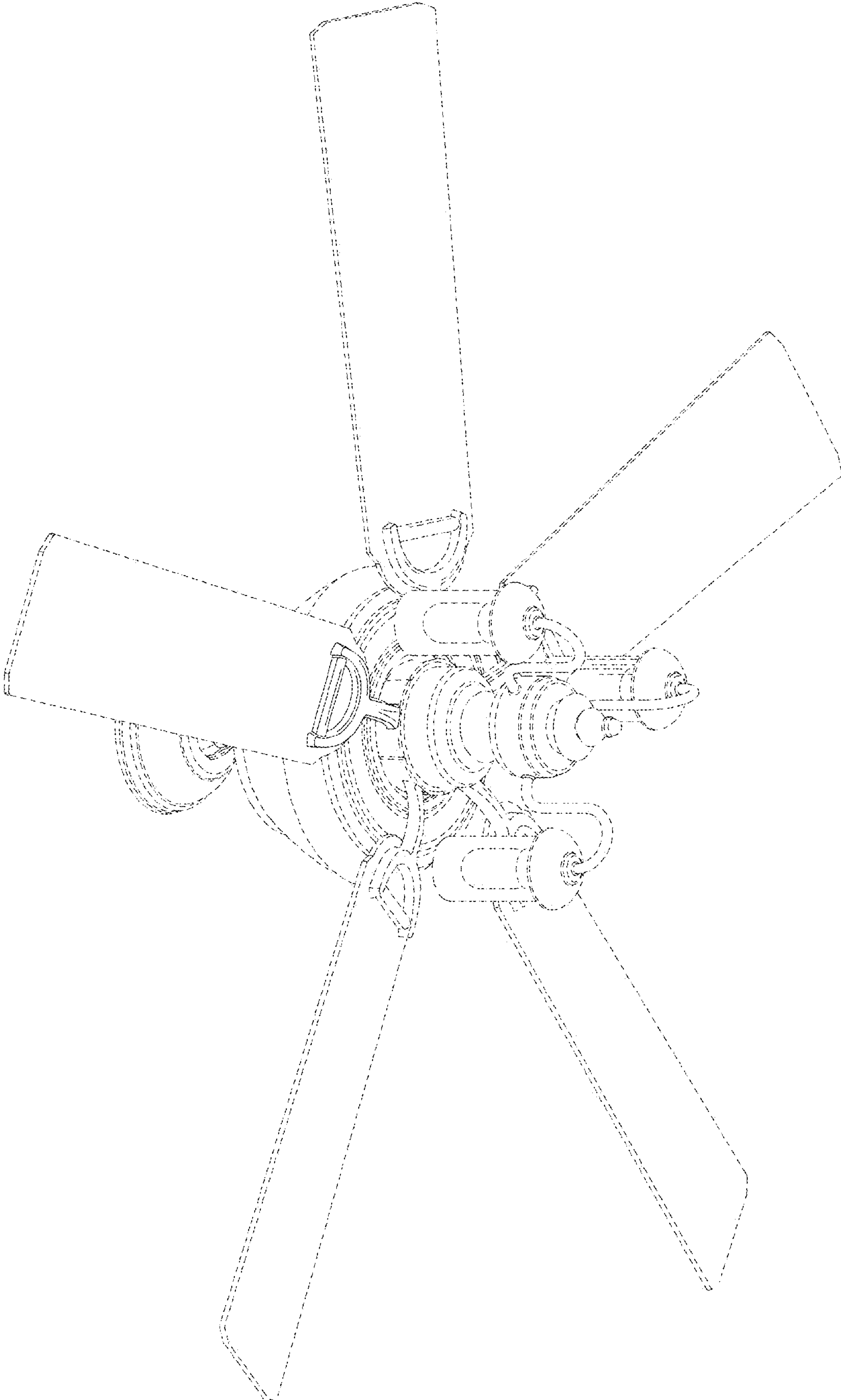


FIG. 1

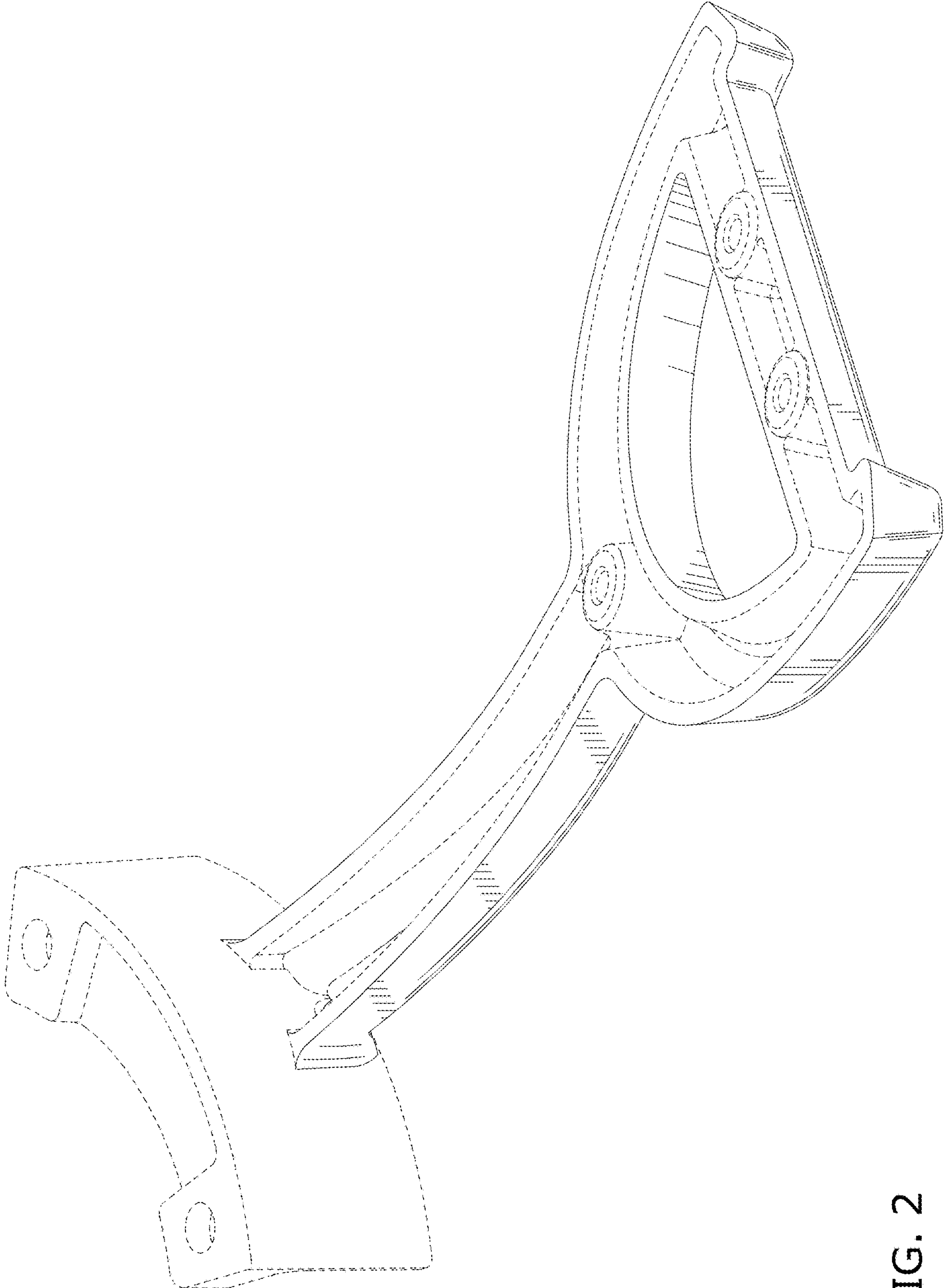


FIG. 2

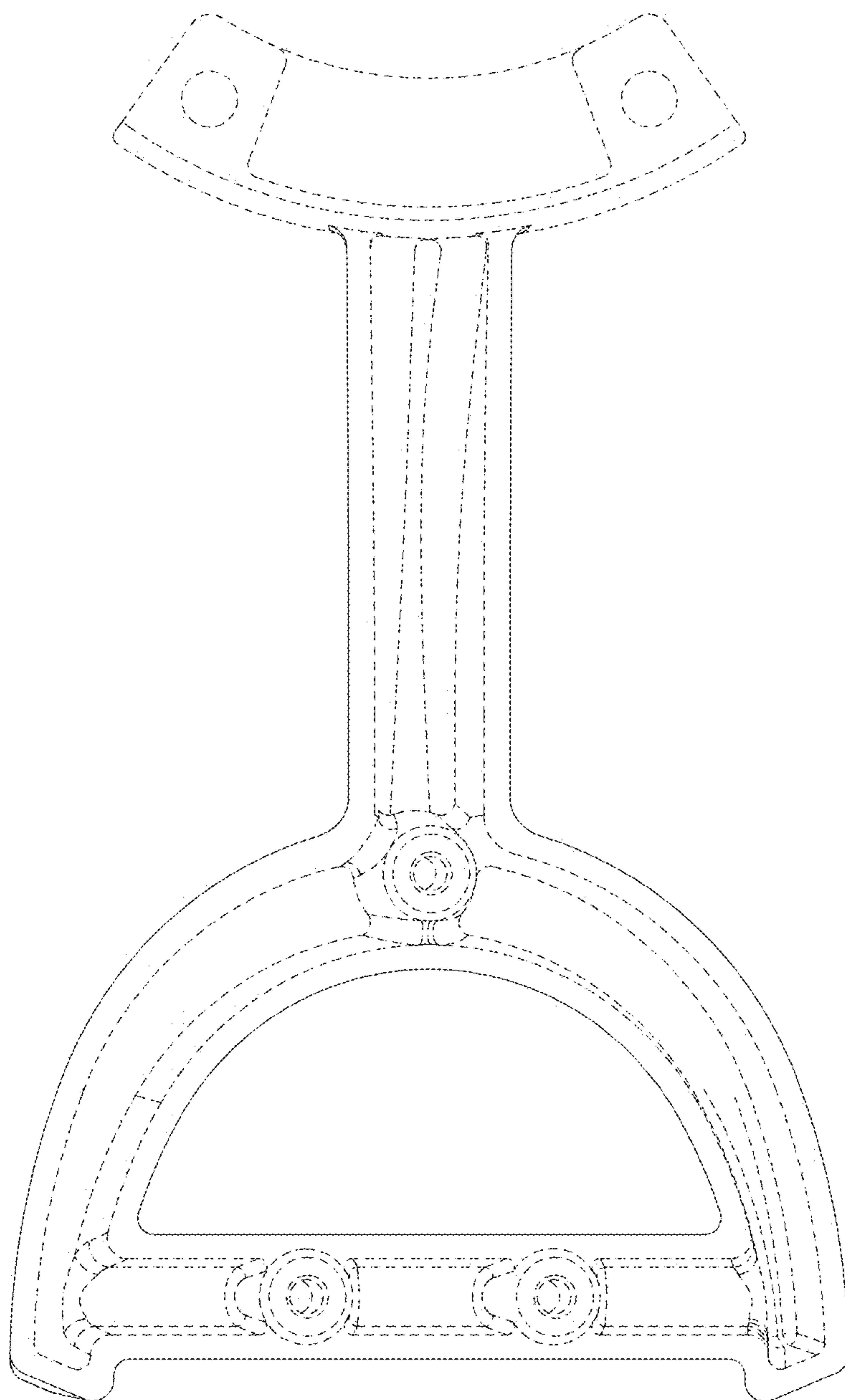


FIG. 3

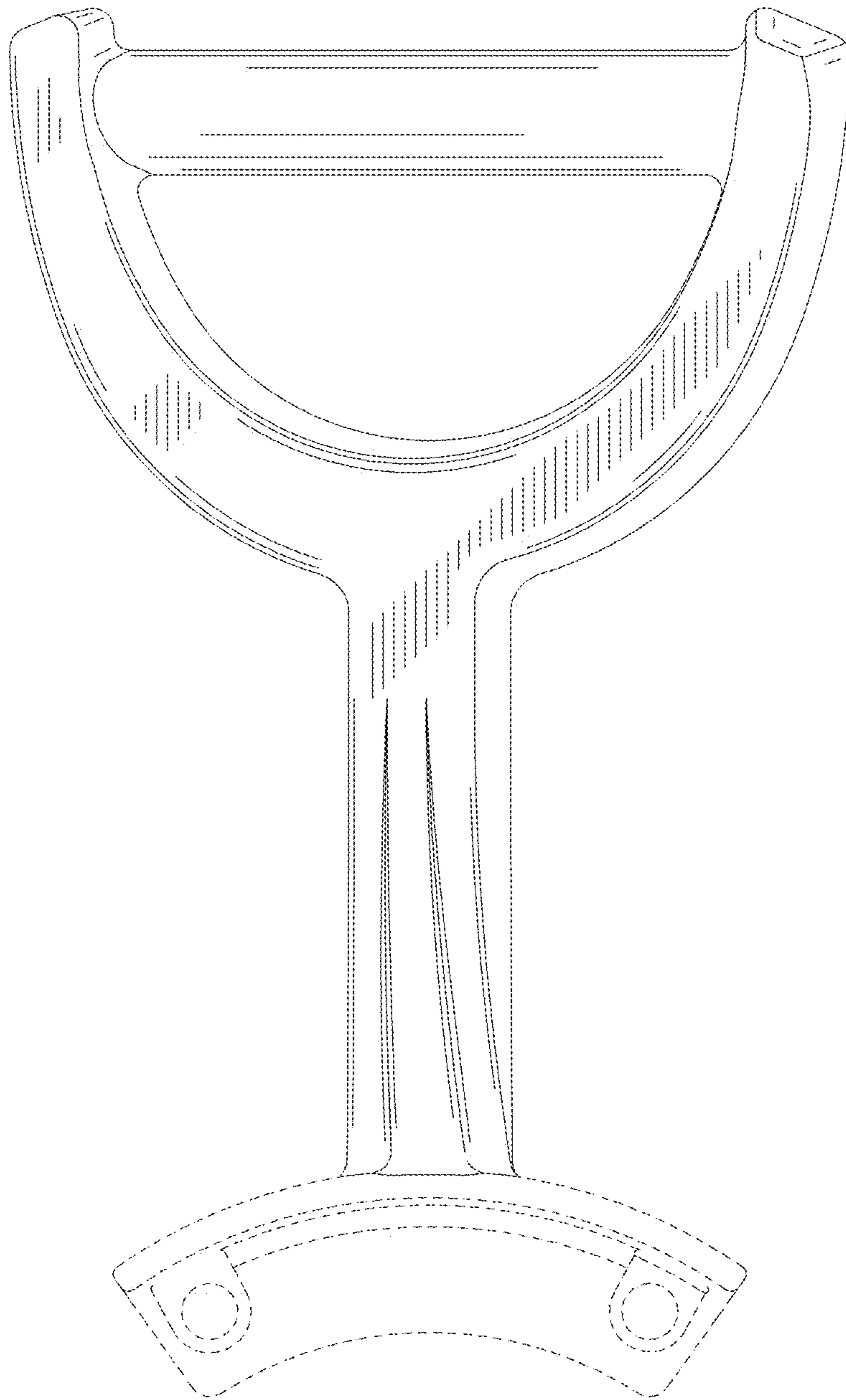


FIG. 4

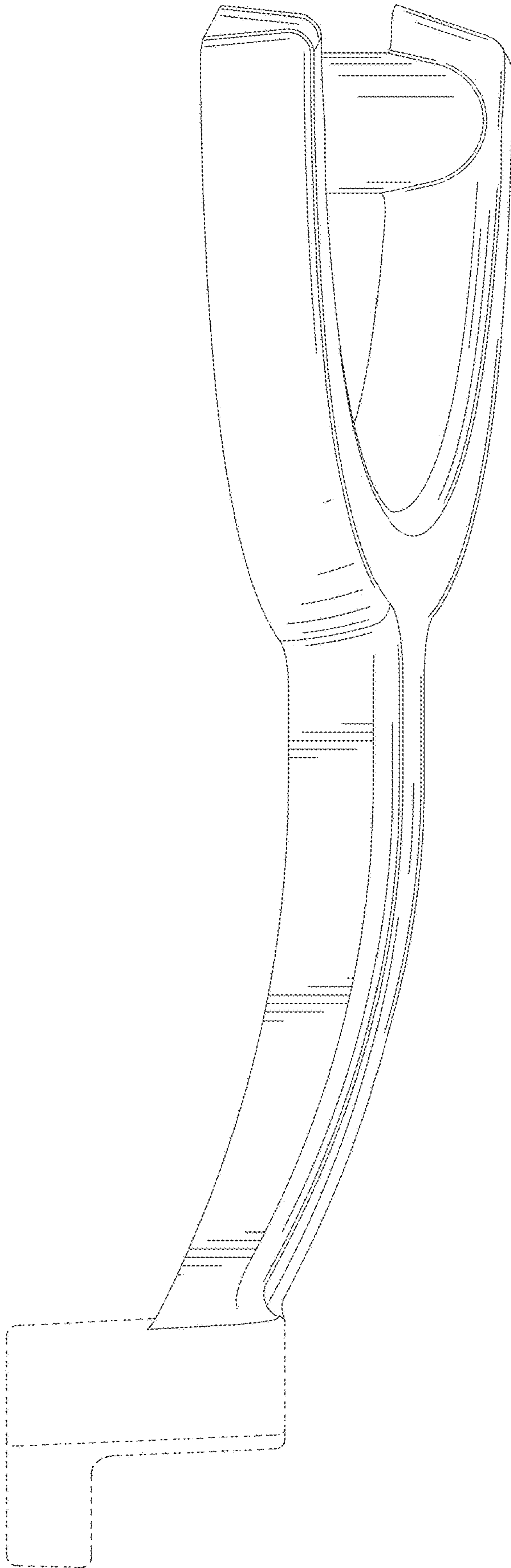


FIG. 5

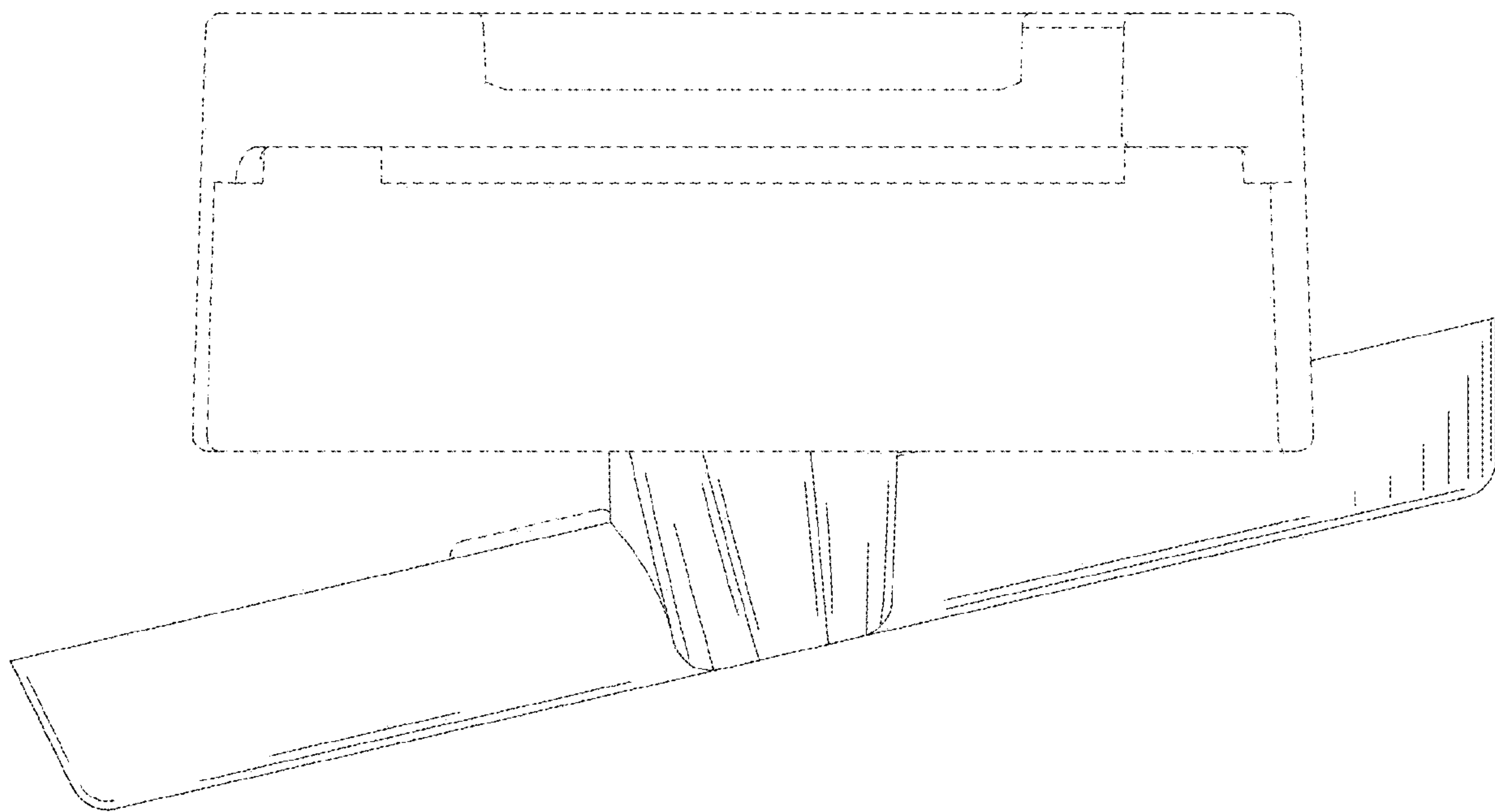


FIG. 6

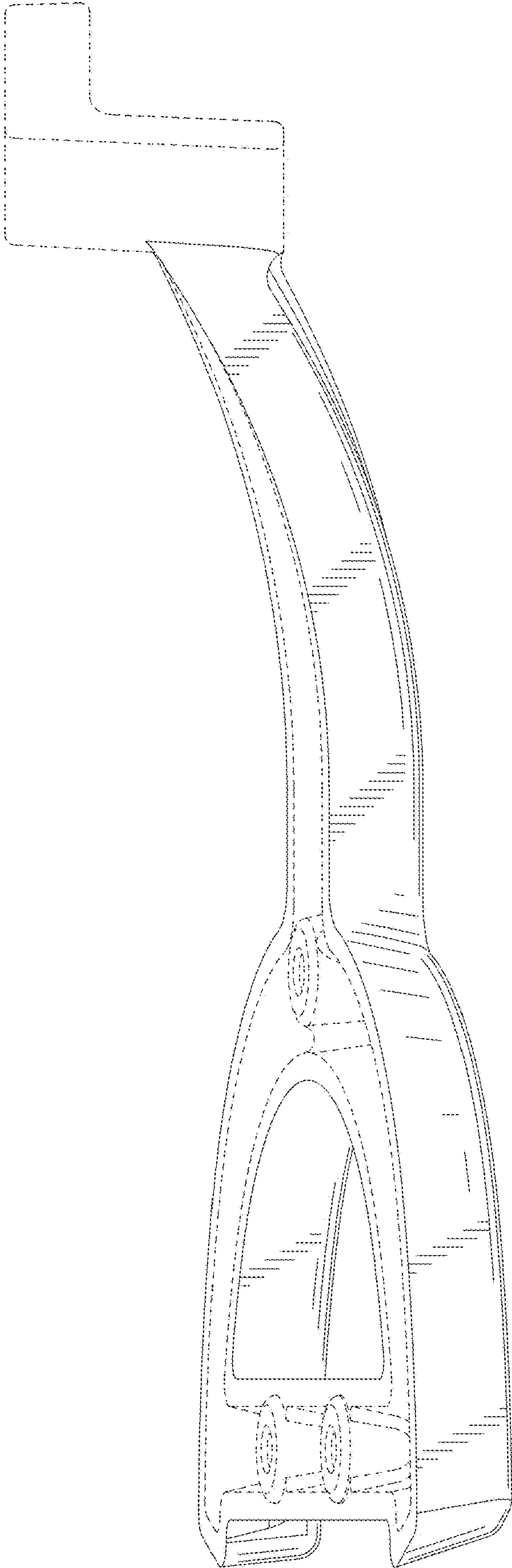


FIG. 7

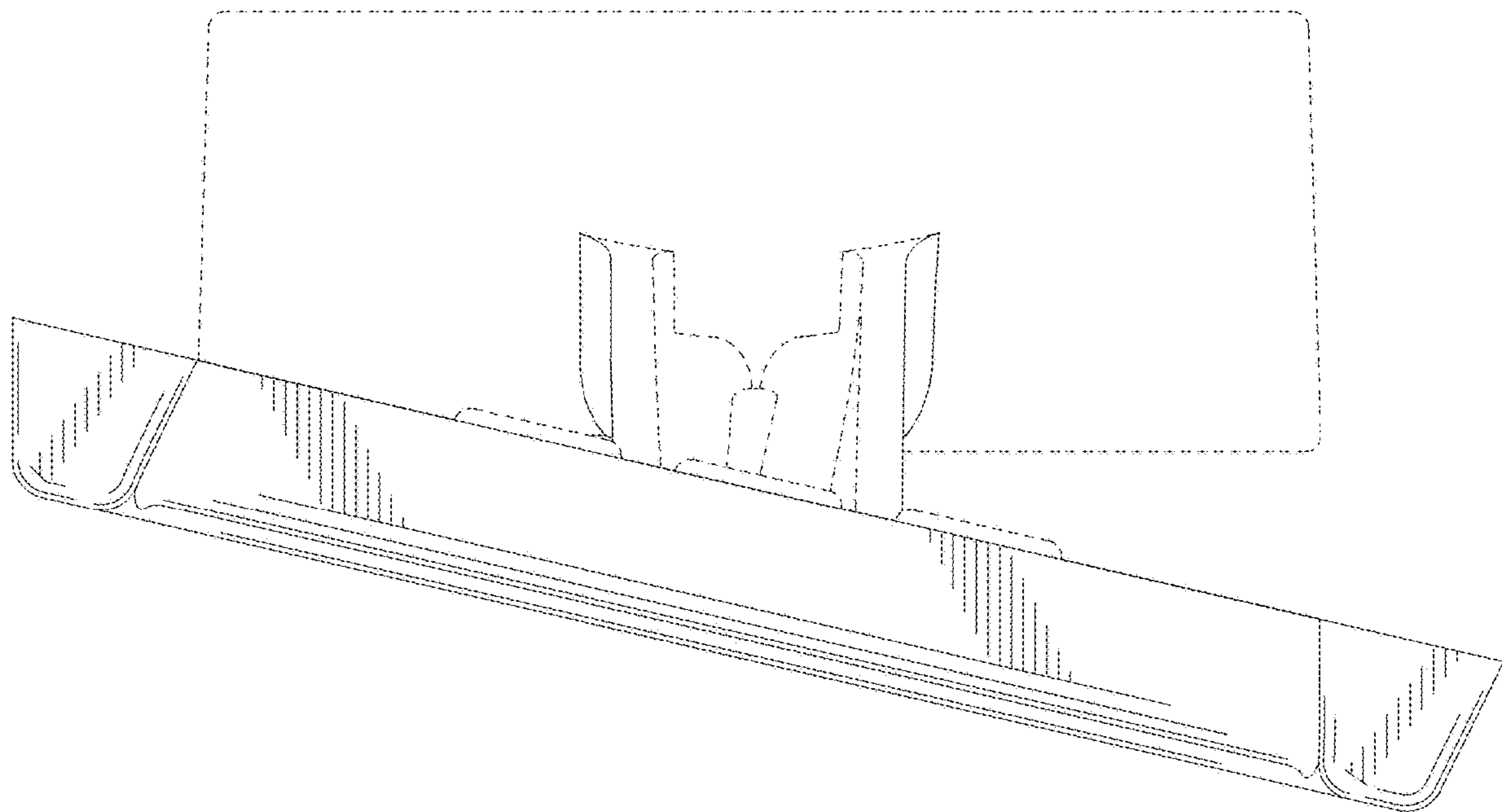


FIG. 8