



US00D900991S

(12) **United States Design Patent** (10) **Patent No.:** **US D900,991 S**
Lin (45) **Date of Patent:** **** Nov. 3, 2020**

(54) **AROMA DIFFUSER**

(71) Applicant: **Dongguan Innovation Lighting Co., Ltd.**, Guangdong (CN)

(72) Inventor: **Song Lin**, Guangdong (CN)

(**) Term: **15 Years**

(21) Appl. No.: **29/677,818**

(22) Filed: **Jan. 23, 2019**

(51) **LOC (12) Cl.** **23-04**

(52) **U.S. Cl.**
USPC **D23/366**

(58) **Field of Classification Search**
USPC D23/201, 208, 355-369, 386
CPC A61L 9/02; A61L 9/03; A61L 9/12; A61L 9/035; A61L 9/125
See application file for complete search history.

(56) **References Cited**

U.S. PATENT DOCUMENTS

D326,144 S *	5/1992	Havrilla	D23/365
D344,328 S *	2/1994	Price	D23/365
D400,663 S *	11/1998	Furlough	D23/366
D515,682 S *	2/2006	LaBlaine	D23/366
D620,584 S *	7/2010	McAlpine	D23/386
D680,638 S *	4/2013	Chou	D23/366
D689,180 S *	9/2013	Furner	D23/366
D690,280 S *	9/2013	Schul	D14/168
D728,089 S *	4/2015	Crisa'	D23/366
D774,173 S *	12/2016	Engberg	D23/364
D798,430 S *	9/2017	Nord	D23/364

* cited by examiner

Primary Examiner — Sheryl Lane

Assistant Examiner — Calvin E Vansant

(74) *Attorney, Agent, or Firm* — Prakash Nama; Global IP Services, PLLC

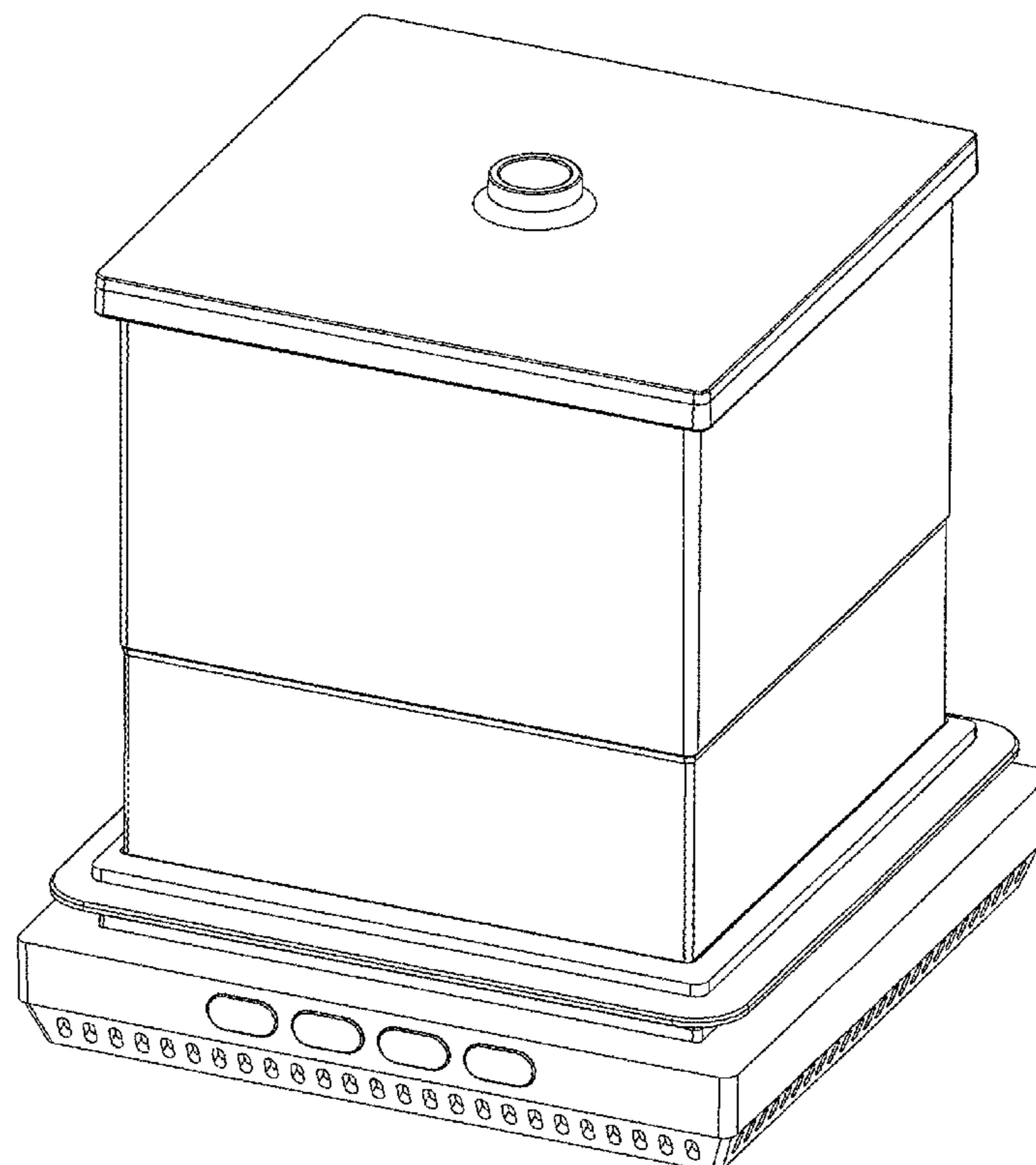
(57) **CLAIM**

The ornamental design for an aroma diffuser, as shown and described.

DESCRIPTION

FIG. 1 is a front elevational view of an aroma diffuser showing my new design;
FIG. 2 is a rear elevational view thereof;
FIG. 3 is a left side view thereof;
FIG. 4 is a right side view thereof;
FIG. 5 is a top plan view thereof;
FIG. 6 is a bottom plan view thereof;
FIG. 7 is a perspective view thereof;
FIG. 8 is a second perspective view thereof;
FIG. 9 is a third perspective view thereof;
FIG. 10 is a fourth perspective view thereof;
FIG. 11 is an enlarged view of portion 11 shown in FIG. 8; and,
FIG. 12 is an enlarged view of portion 12 shown in FIG. 10.
In the drawings, the dashed broken lines depict portions of the aroma diffuser that form no part of the claim. The dot-dash broken lines represent the boundary of the enlarged figures and form no part of the claim.

1 Claim, 12 Drawing Sheets



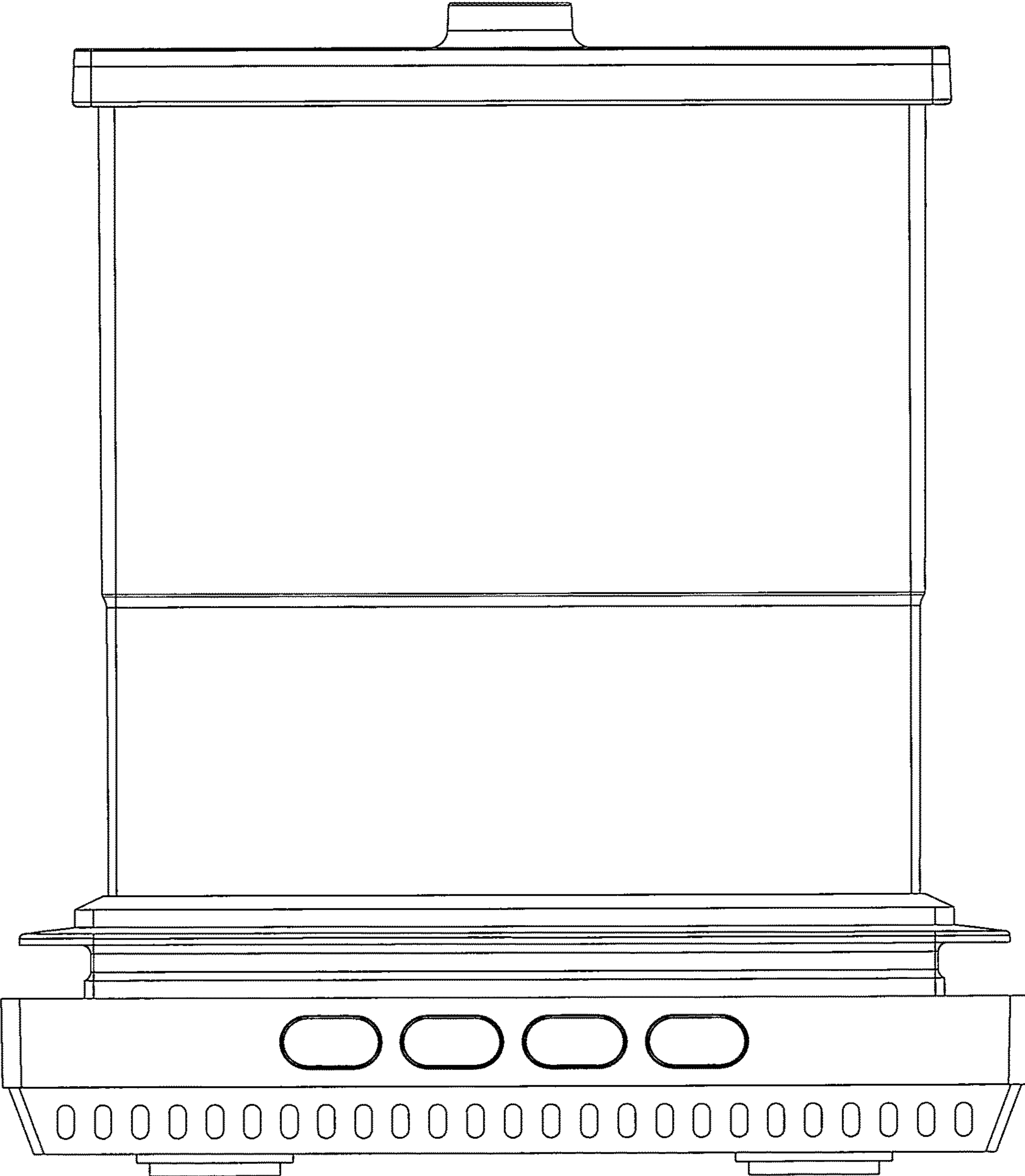


Fig. 1

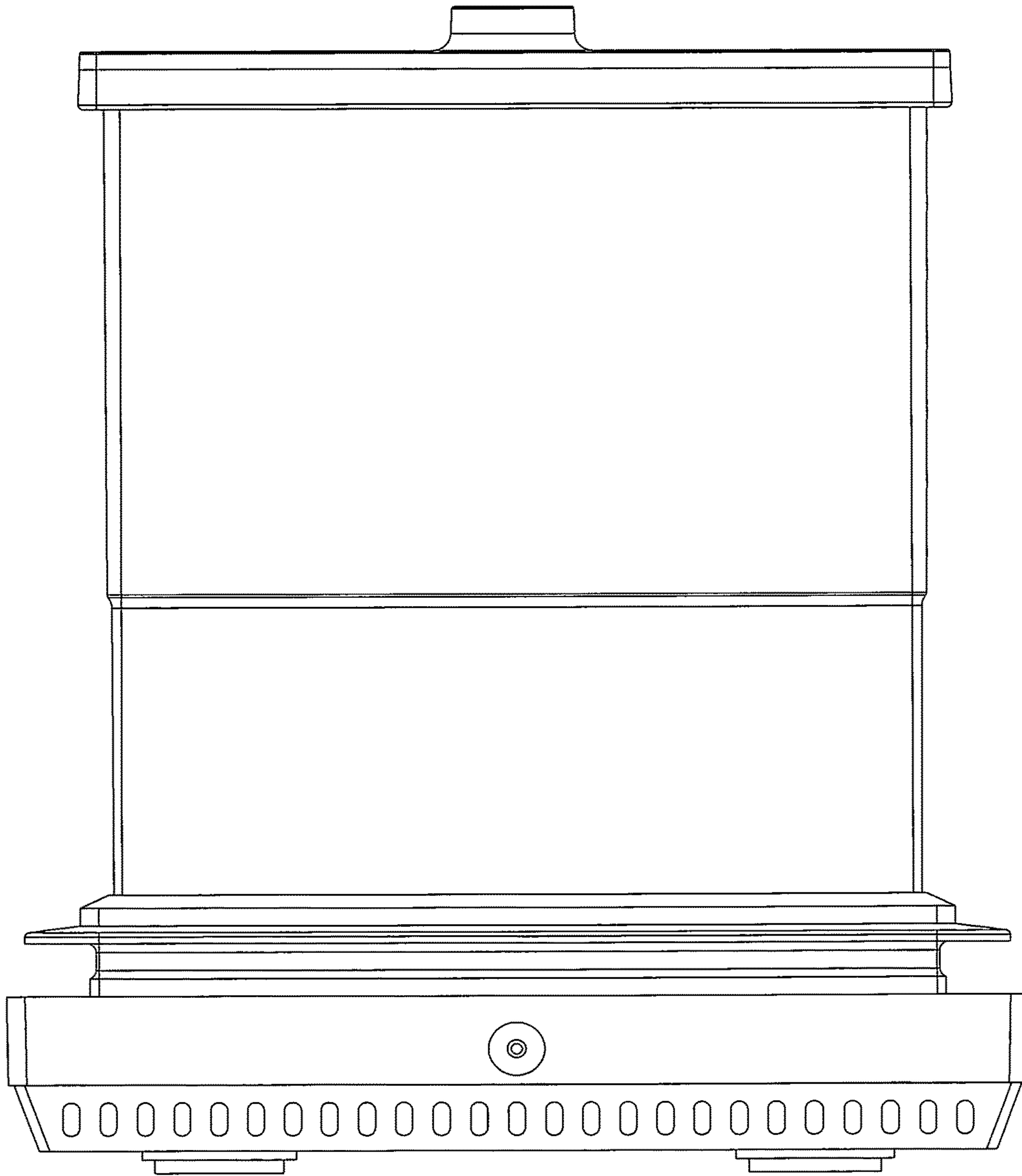


Fig. 2

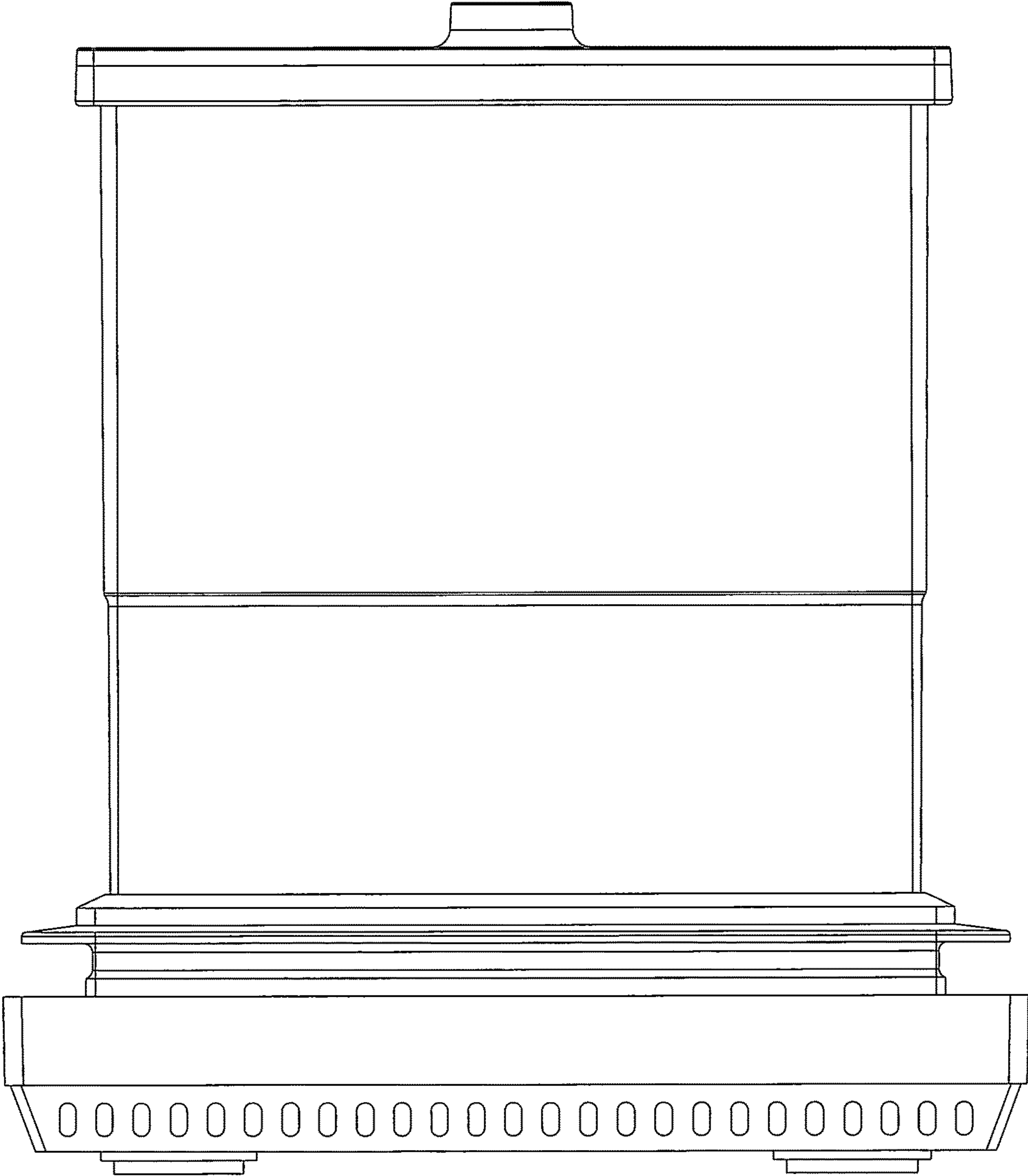


Fig. 3

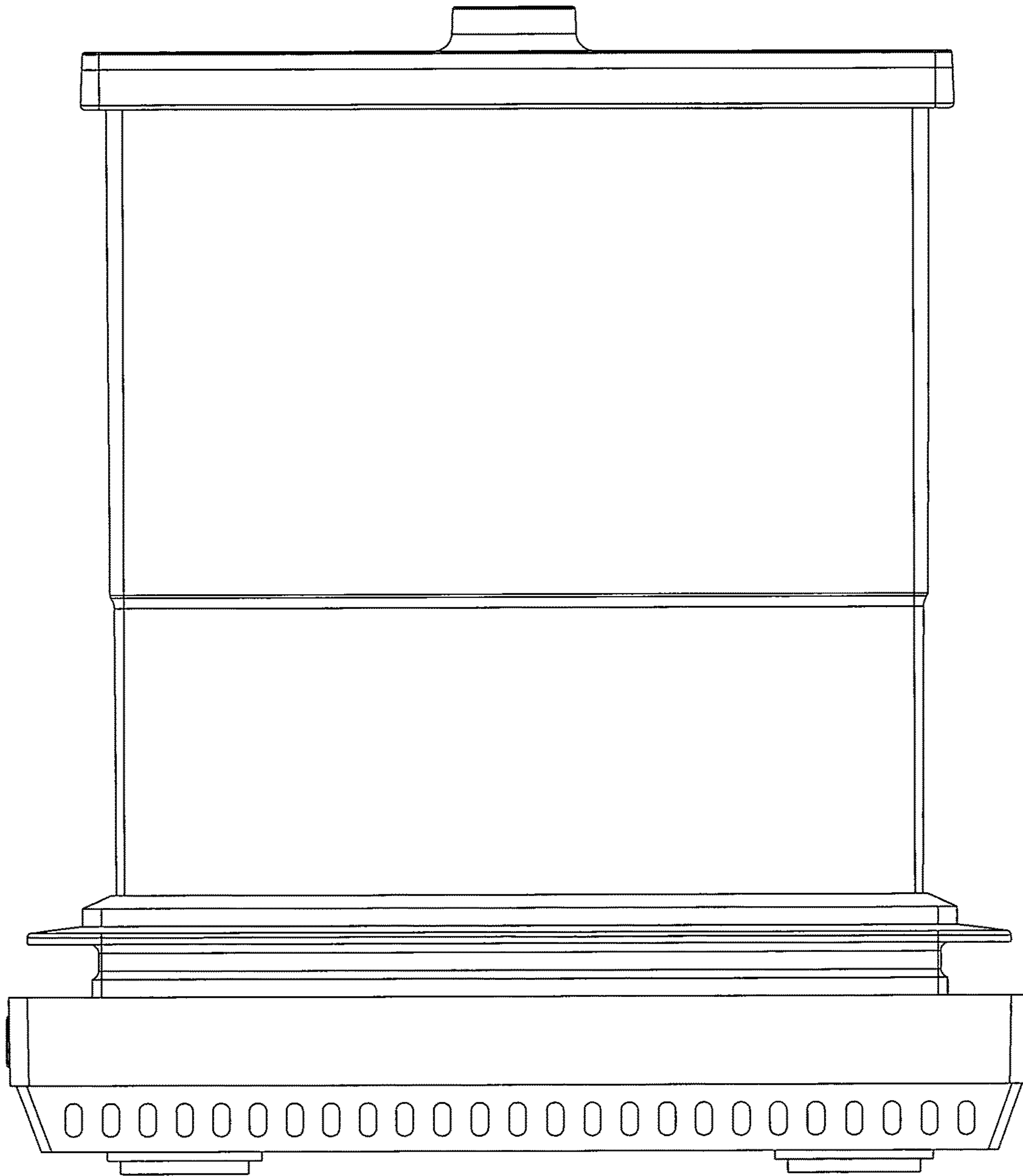


Fig. 4

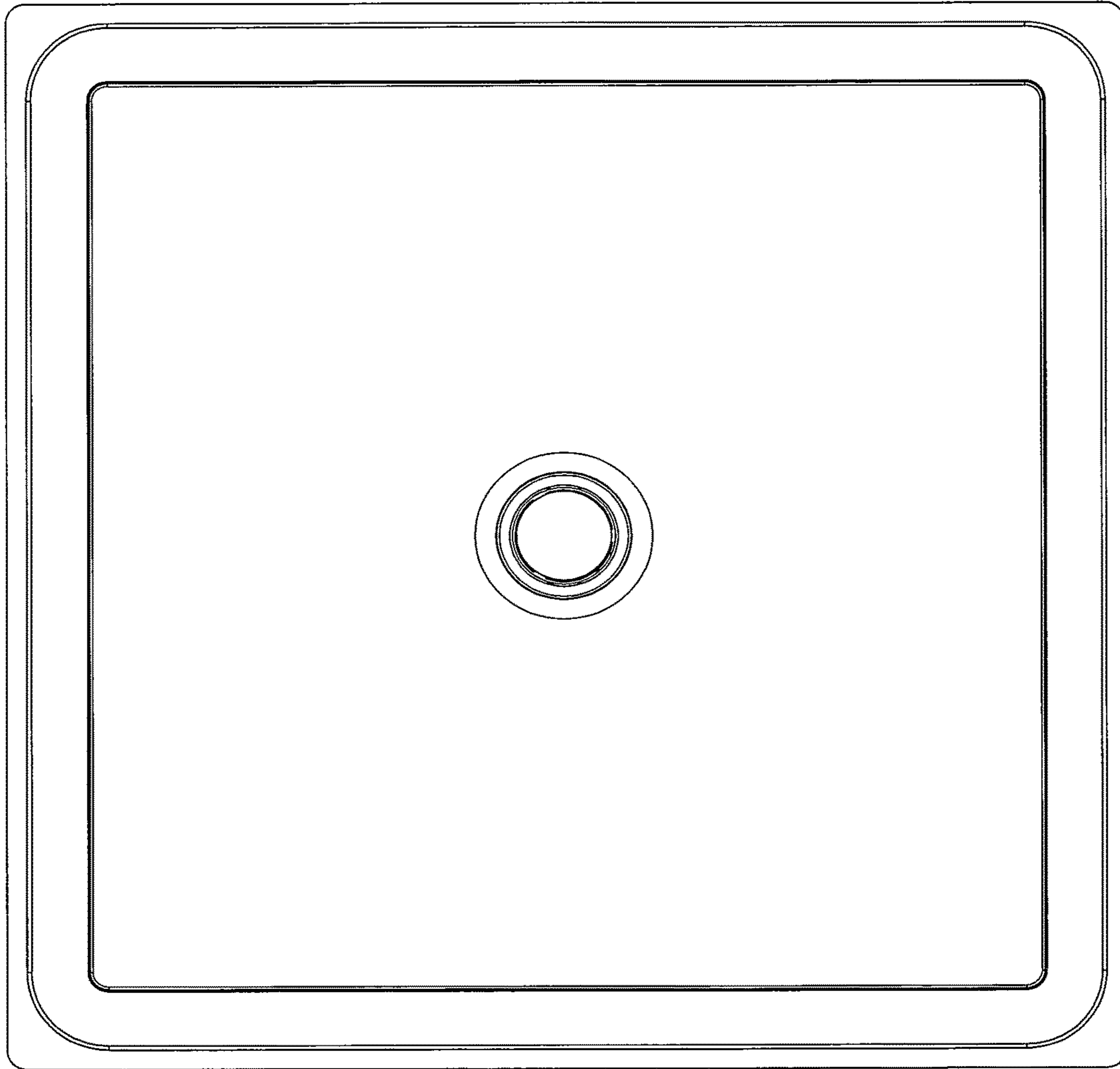


Fig. 5

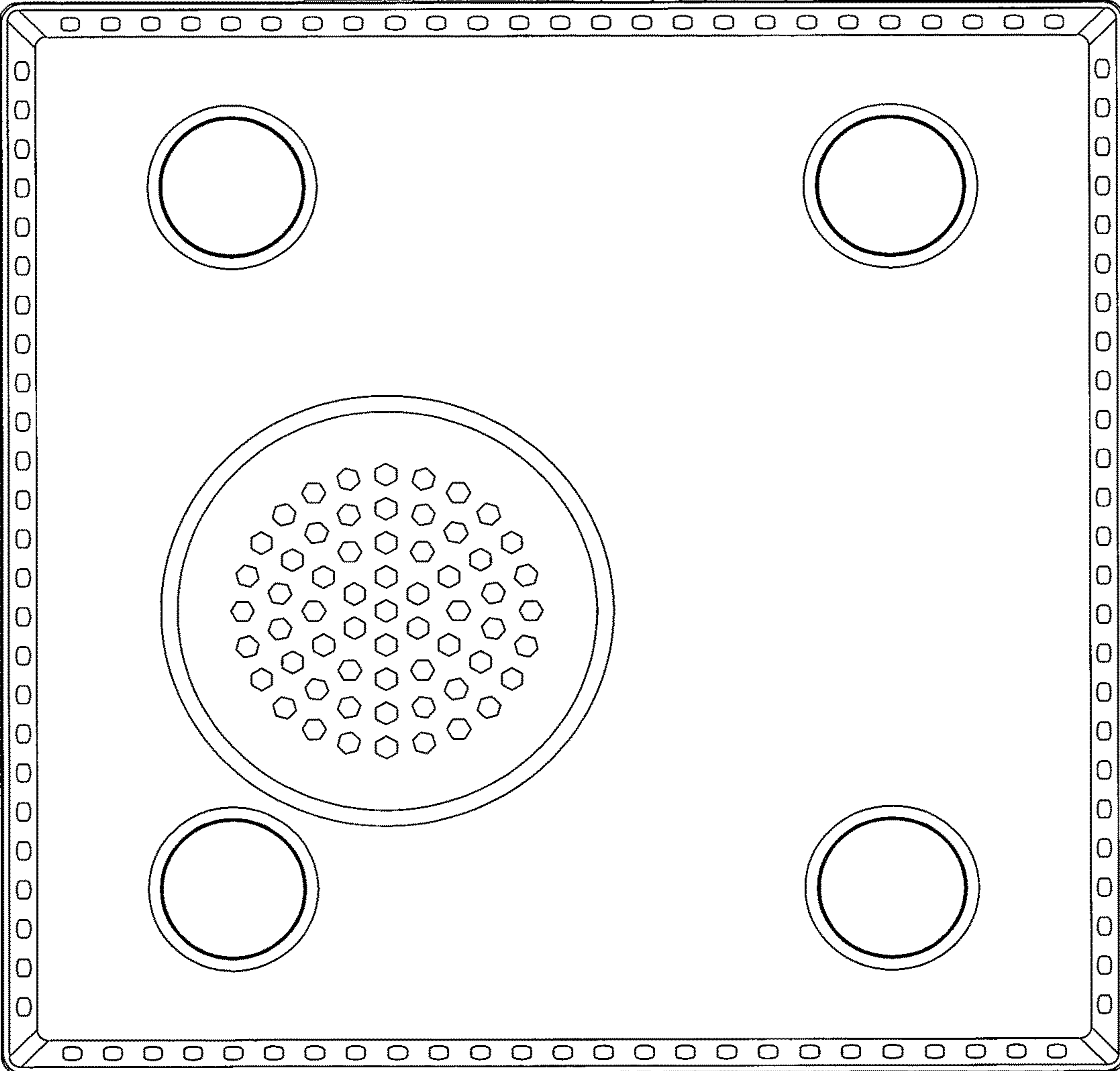


Fig. 6

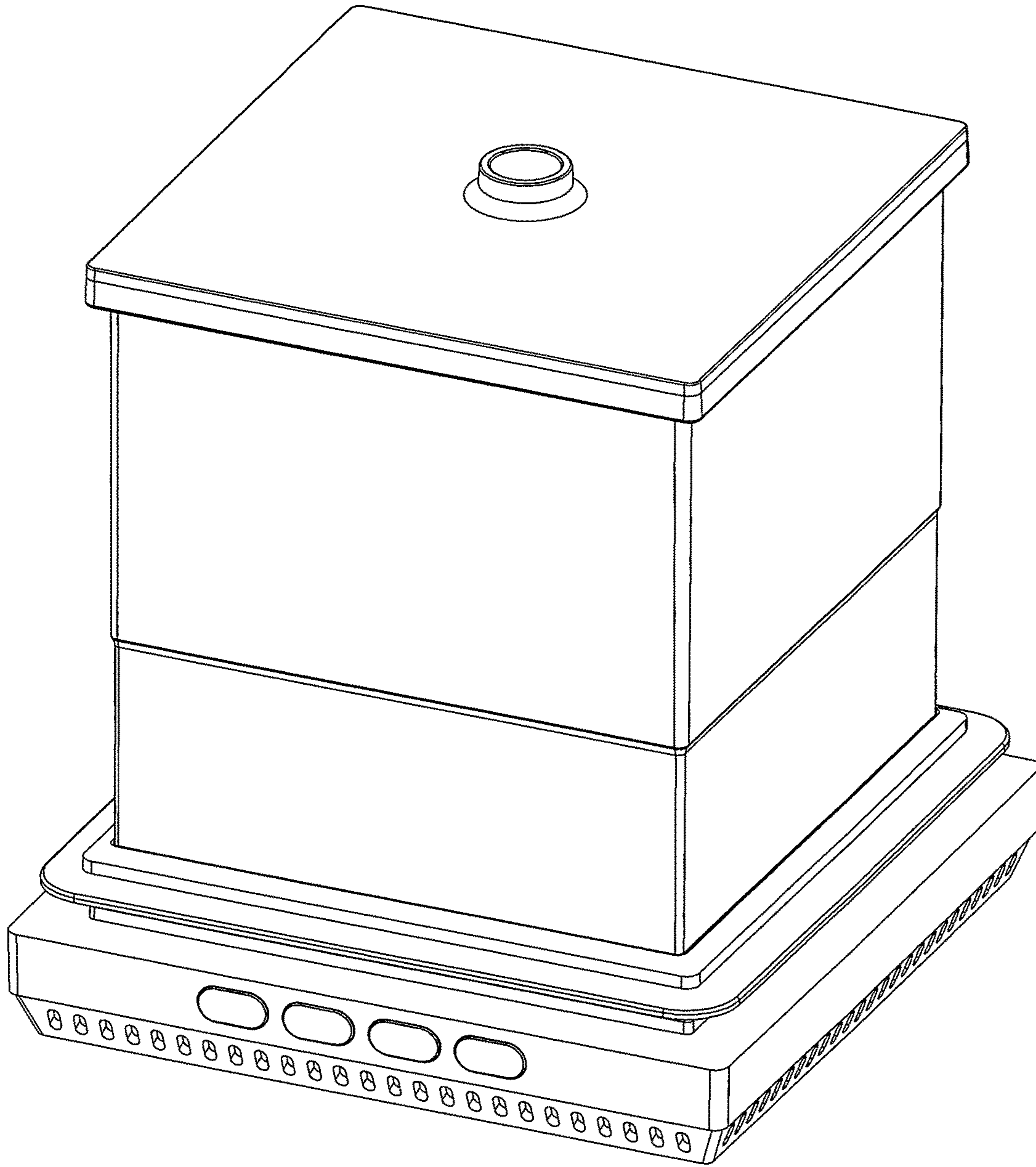


Fig. 7

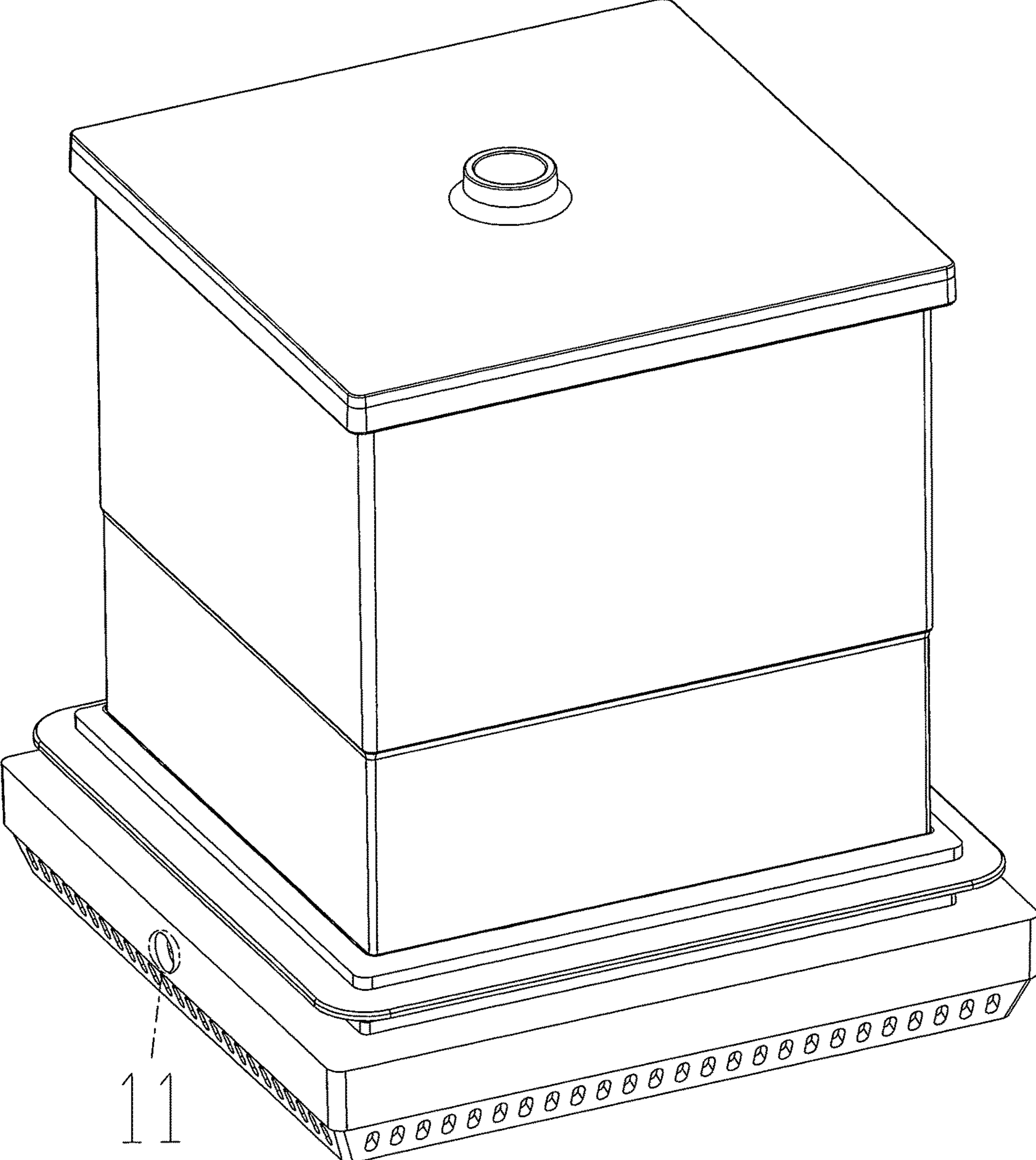


Fig. 8

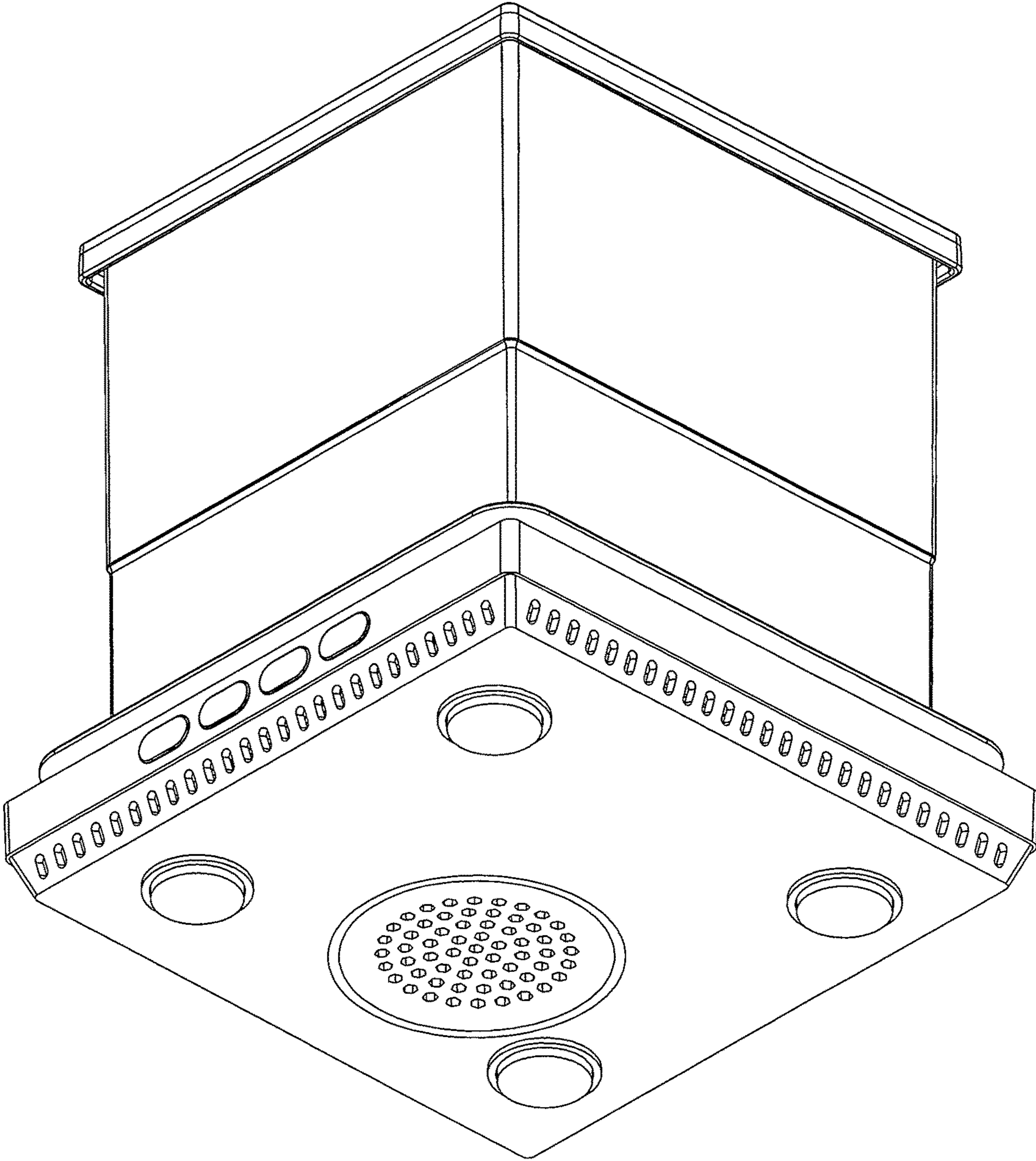


Fig. 9

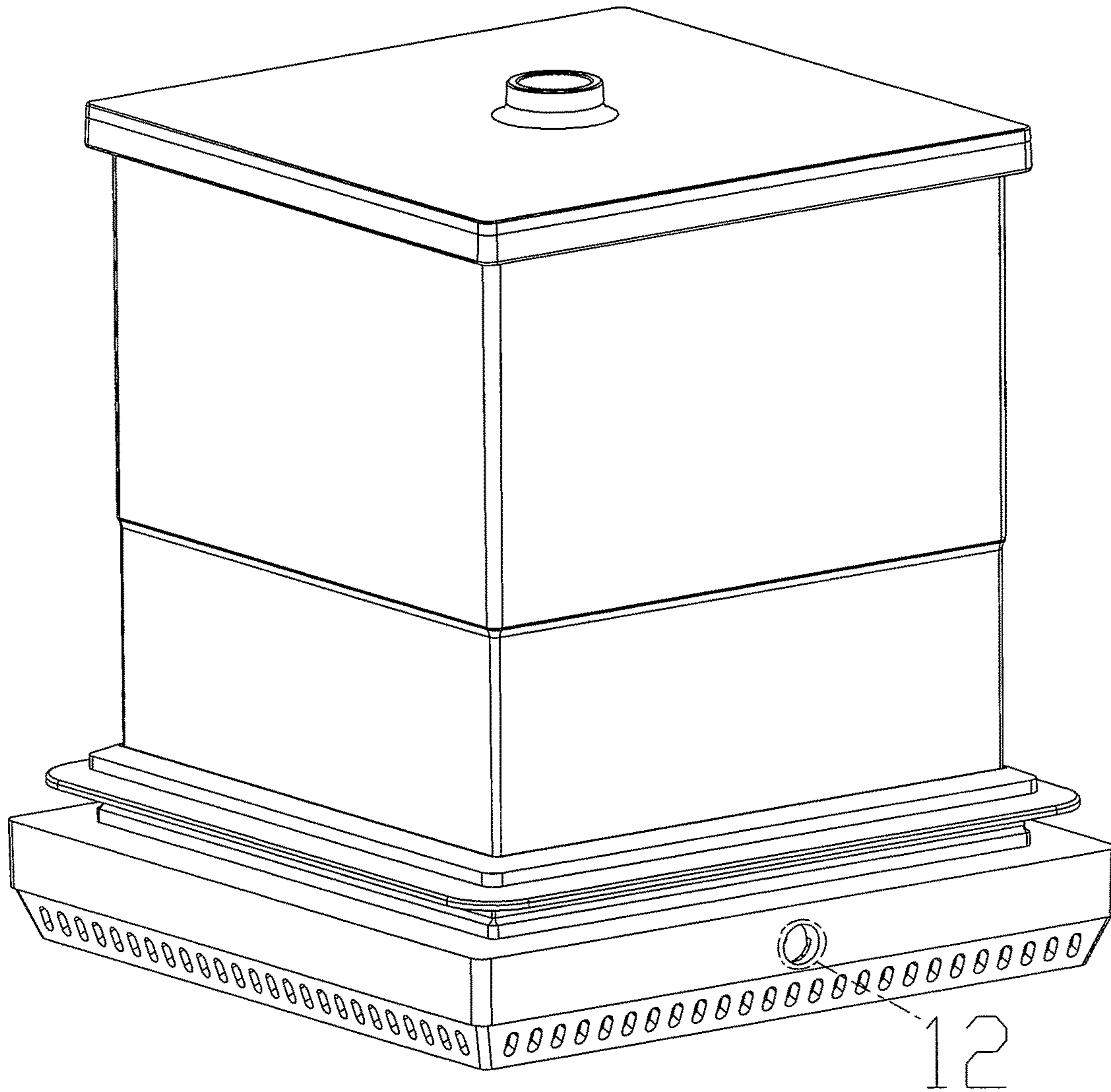


Fig. 10

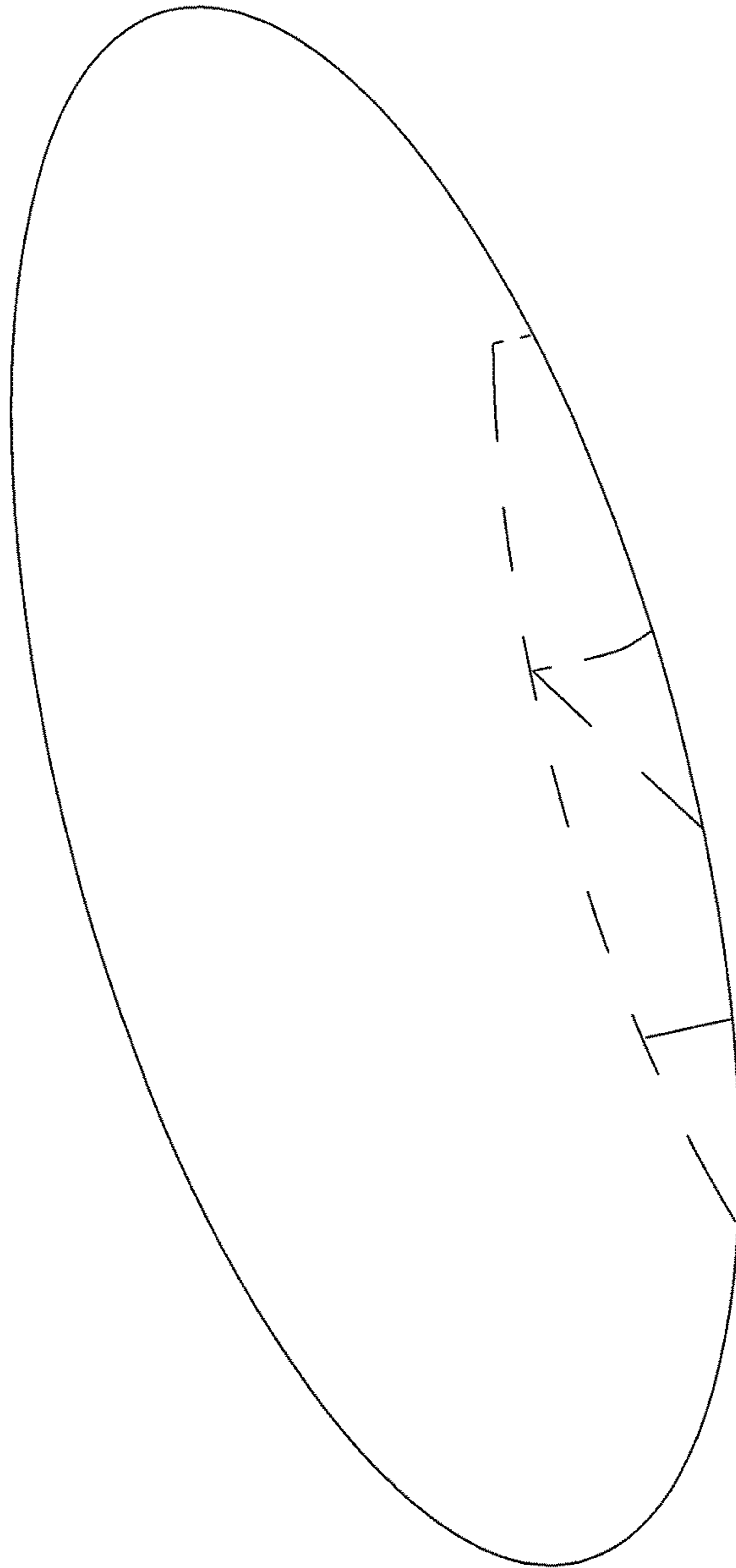


Fig. 11

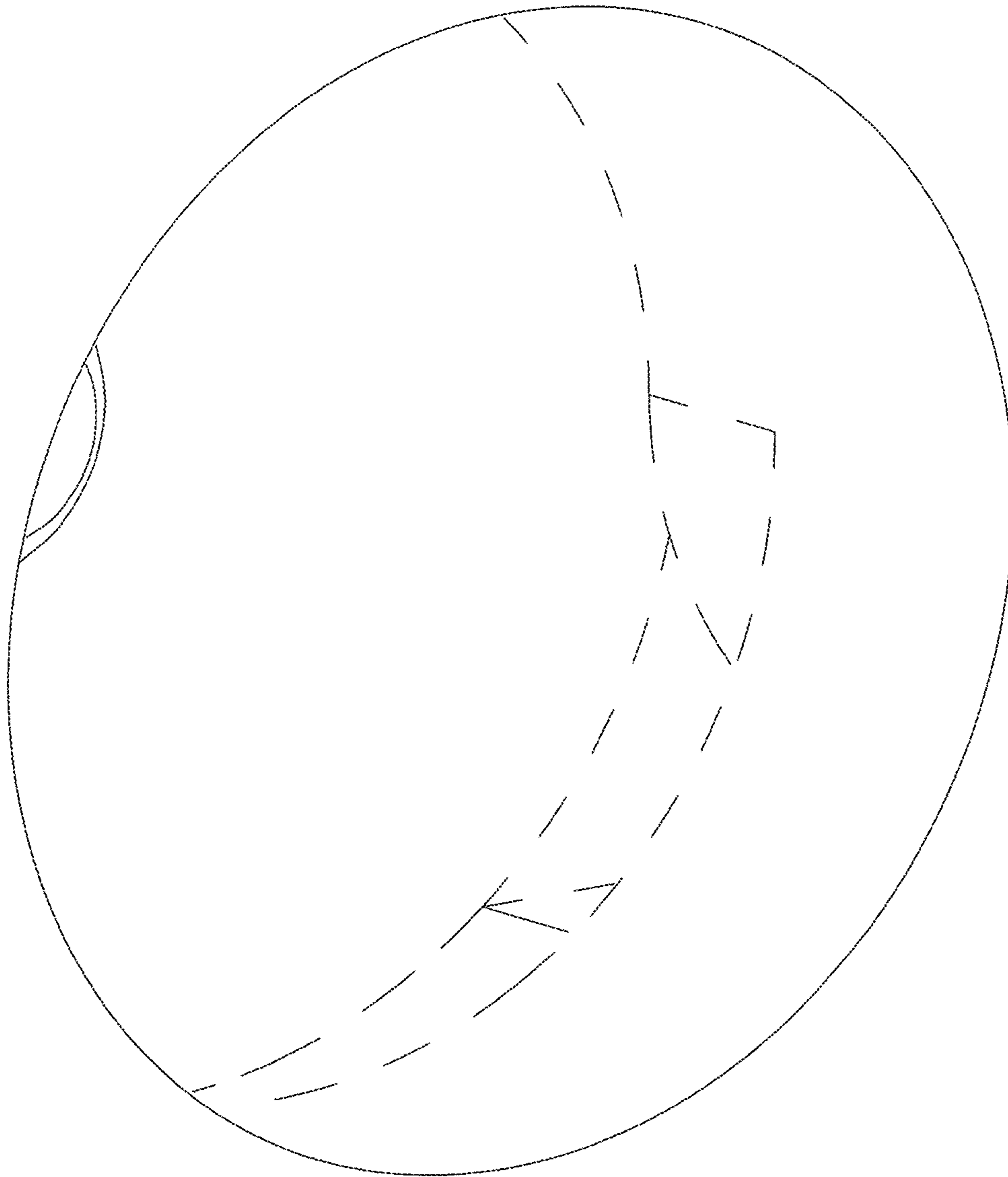


Fig. 12