



US00D900990S

(12) **United States Design Patent**
Kim et al.

(10) **Patent No.:** **US D900,990 S**

(45) **Date of Patent:** **** Nov. 3, 2020**

(54) **CAR AIR FRESHENER**

(71) Applicants: **Ji Hyun Kim**, Seoul (KR); **Bum Joon Lee**, Seoul (KR)

(72) Inventors: **Ji Hyun Kim**, Seoul (KR); **Bum Joon Lee**, Seoul (KR)

(73) Assignee: **Spigen Korea CO., LTD.**, Seoul (KR)

(**) Term: **15 Years**

(21) Appl. No.: **29/627,709**

(22) Filed: **Nov. 29, 2017**

(51) **LOC (12) Cl.** **28-99**

(52) **U.S. Cl.**
USPC **D23/366**

(58) **Field of Classification Search**
USPC D23/314, 325, 333–336, 355–367,
D23/386–388; D9/434, 439, 444, 445,
D9/447, 452–454; D14/209, 215, 216,
D14/223

CPC . A61L 9/03; A61L 9/012; A61L 9/015; A61L
9/037; F41J 1/01

See application file for complete search history.

(56) **References Cited**

U.S. PATENT DOCUMENTS

D268,394 S *	3/1983	MacEwen	D9/454
5,397,132 A *	3/1995	Maryska	F41J 1/01 273/363
D407,985 S *	4/1999	Pimentel	D10/104.2
D526,564 S *	8/2006	Slavin	D9/454
D563,785 S *	3/2008	Maki	D9/454
D585,129 S *	1/2009	Huang	D23/366
D613,388 S *	4/2010	Koenig	D23/366
D619,694 S *	7/2010	Hami	D23/366
D621,923 S *	8/2010	Koenig	D23/366
D636,380 S *	4/2011	Valeur	D14/218
D642,163 S *	7/2011	Lee	D14/223
D647,397 S *	10/2011	Inaba	D9/425
D656,130 S *	3/2012	Bailey	D14/227
D660,700 S *	5/2012	MacNeill	D9/445

D693,683 S *	11/2013	Ramsey	D9/453
D732,652 S *	6/2015	Furner	D23/366
D743,382 S *	11/2015	Katori	D14/228
D746,792 S *	1/2016	Kim	D14/205
D750,481 S *	3/2016	Rapparini	D9/500

(Continued)

FOREIGN PATENT DOCUMENTS

KR 30-0896839 S 3/2017

OTHER PUBLICATIONS

Wooden Aromatherapy Essential Oil Diffuser Car Vent Clip reference fond online [Dec. 27, 2018]—<https://www.thegreenhead.com/2018/04/wooden-aromatherapy-essential-oil-diffuser-car-vent-clip.php>.*

(Continued)

Primary Examiner — Lakiya G Rogers

Assistant Examiner — John A Voytek

(74) *Attorney, Agent, or Firm* — Heedong Chae; Lucem, PC

(57)

CLAIM

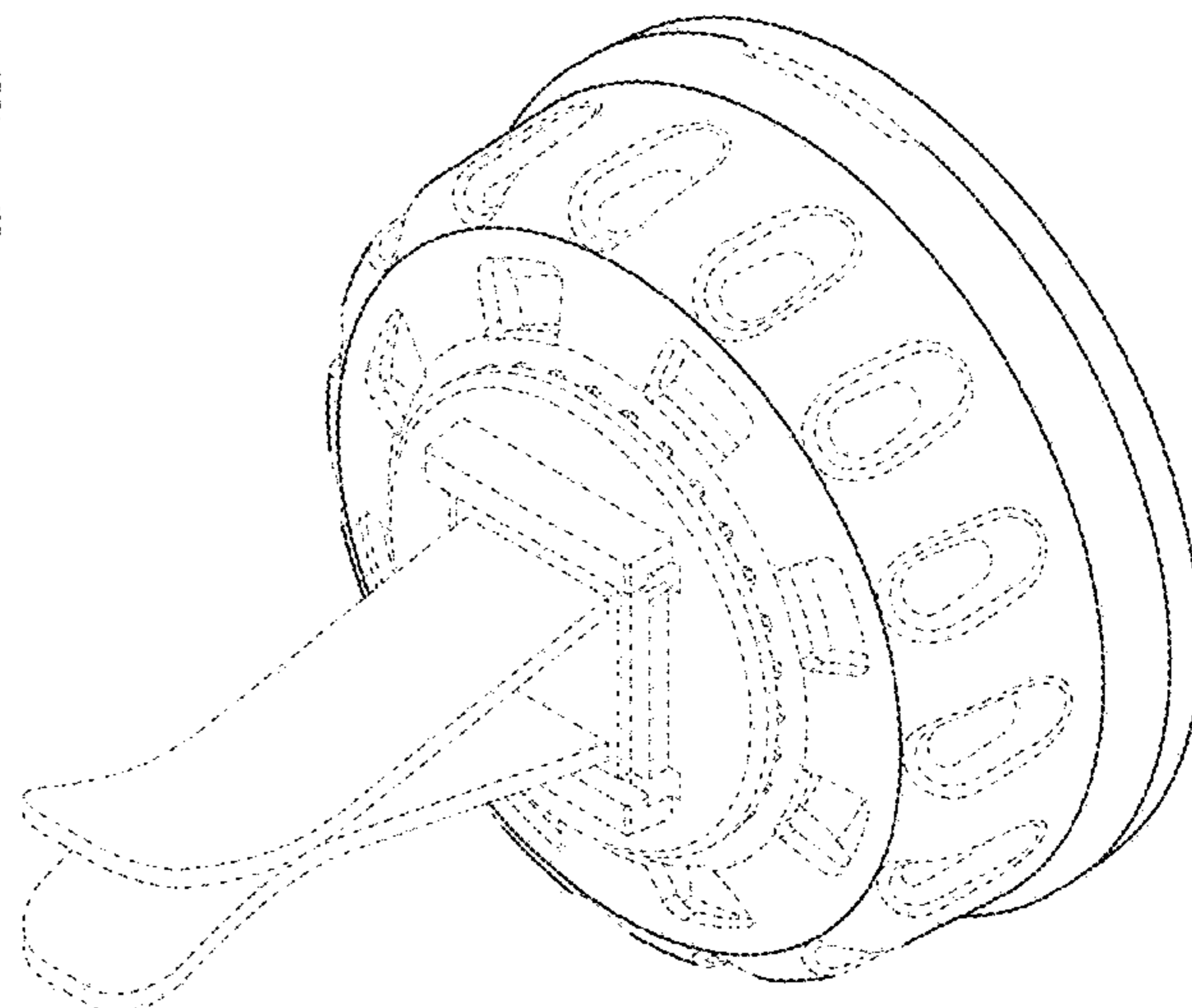
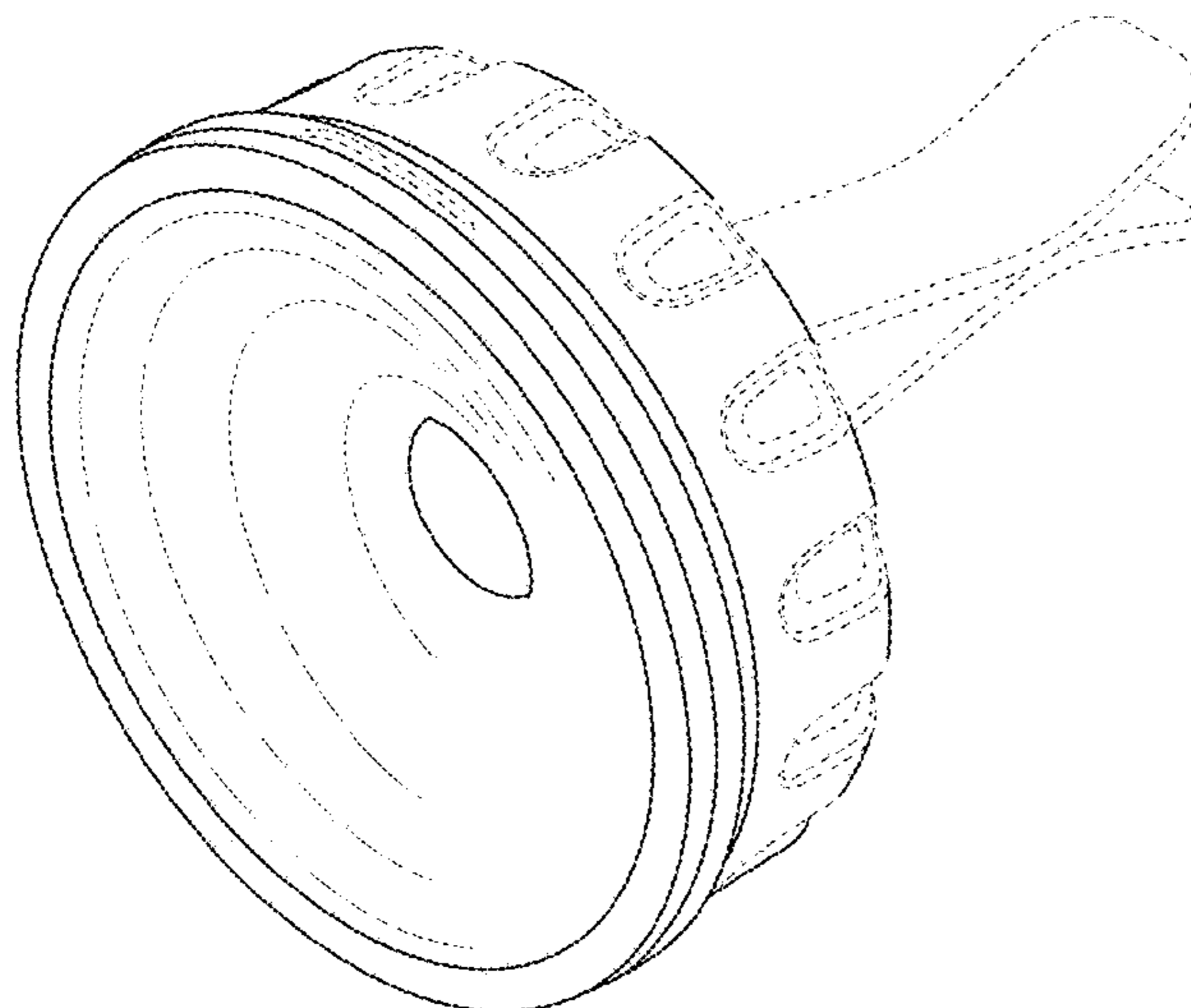
The ornamental design for a car air freshener, as shown and described.

DESCRIPTION

FIG. 1 is a front perspective view of a car air freshener showing our new design;
FIG. 2 is a rear perspective view thereof;
FIG. 3 is a front elevational view thereof;
FIG. 4 is a rear elevational view thereof;
FIG. 5 is a left side elevational view thereof;
FIG. 6 is a right side elevational view thereof;
FIG. 7 is a top plan view thereof; and,
FIG. 8 is a bottom plan view thereof.

In the drawings, the broken lines depict portions of the article that form no part of the claimed design.

1 Claim, 8 Drawing Sheets



(56)

References Cited

U.S. PATENT DOCUMENTS

D756,222	S	*	5/2016	Lopez	D23/260
D771,599	S	*	11/2016	Kim	D14/223
D803,377	S	*	11/2017	Gobber	D23/366
D806,685	S	*	1/2018	Park	D14/223
D811,462	S	*	2/2018	Axelsson	D16/203
D812,577	S	*	3/2018	Turksu	D13/168
D817,760	S	*	5/2018	Petrosino	D9/452
D818,207	S	*	5/2018	Nero	D30/129
D830,530	S	*	10/2018	Webster	D23/366
D837,863	S	*	1/2019	Persson	D16/203
2008/0073849	A1	*	3/2008	Quinn	F41J 1/01 273/362
2017/0010074	A1	*	1/2017	Nienke	F41J 1/01

OTHER PUBLICATIONS

“Air Freshener, HUMIXX Air Freshener for Car[Nature Series] Vehicle Solid Air Purifier Aroma with 3 Scented bars for Vehicle Bedroom Office Travel (Black)”, <https://www.amazon.com/dp/B075DB7S63>, Earliest review date of Sep. 17, 2017.

“Clemt Perfume Diffuser DM 1”, http://www.10x10.co.kr/shopping/category_prd.asp?itemid=1441333, Earliest review date of Apr. 11, 2016.

* cited by examiner

FIG. 1

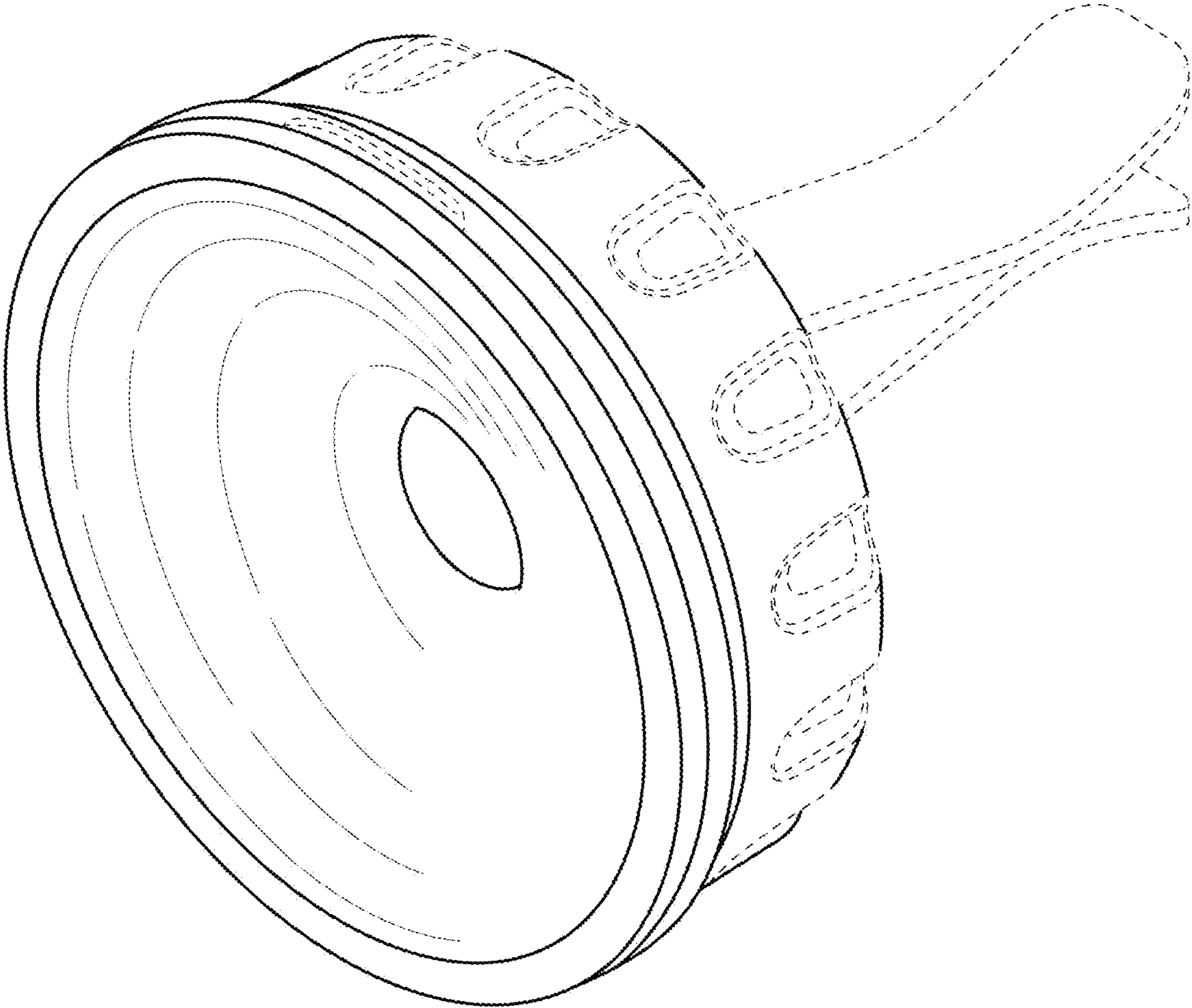


FIG. 2

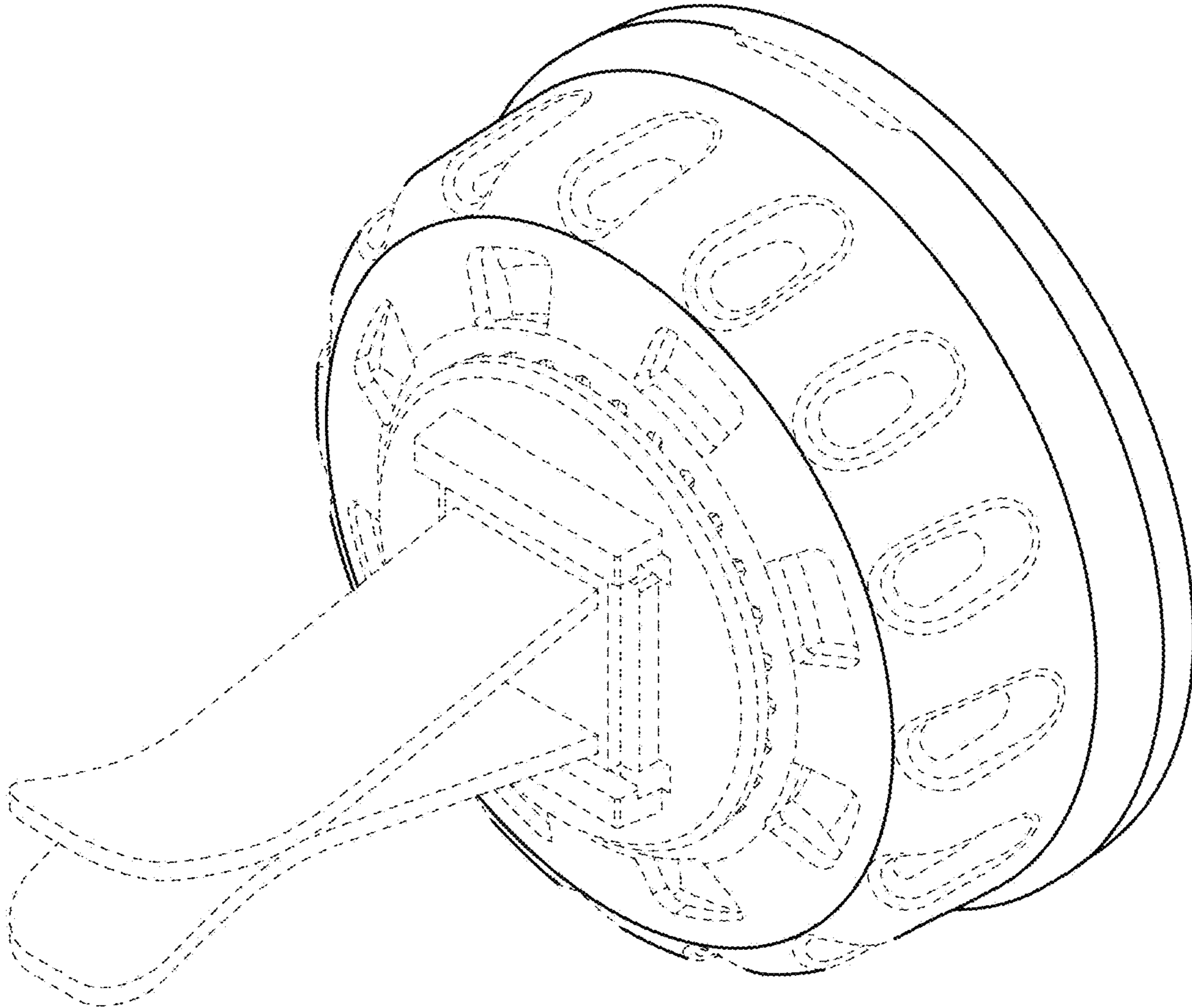


FIG. 3

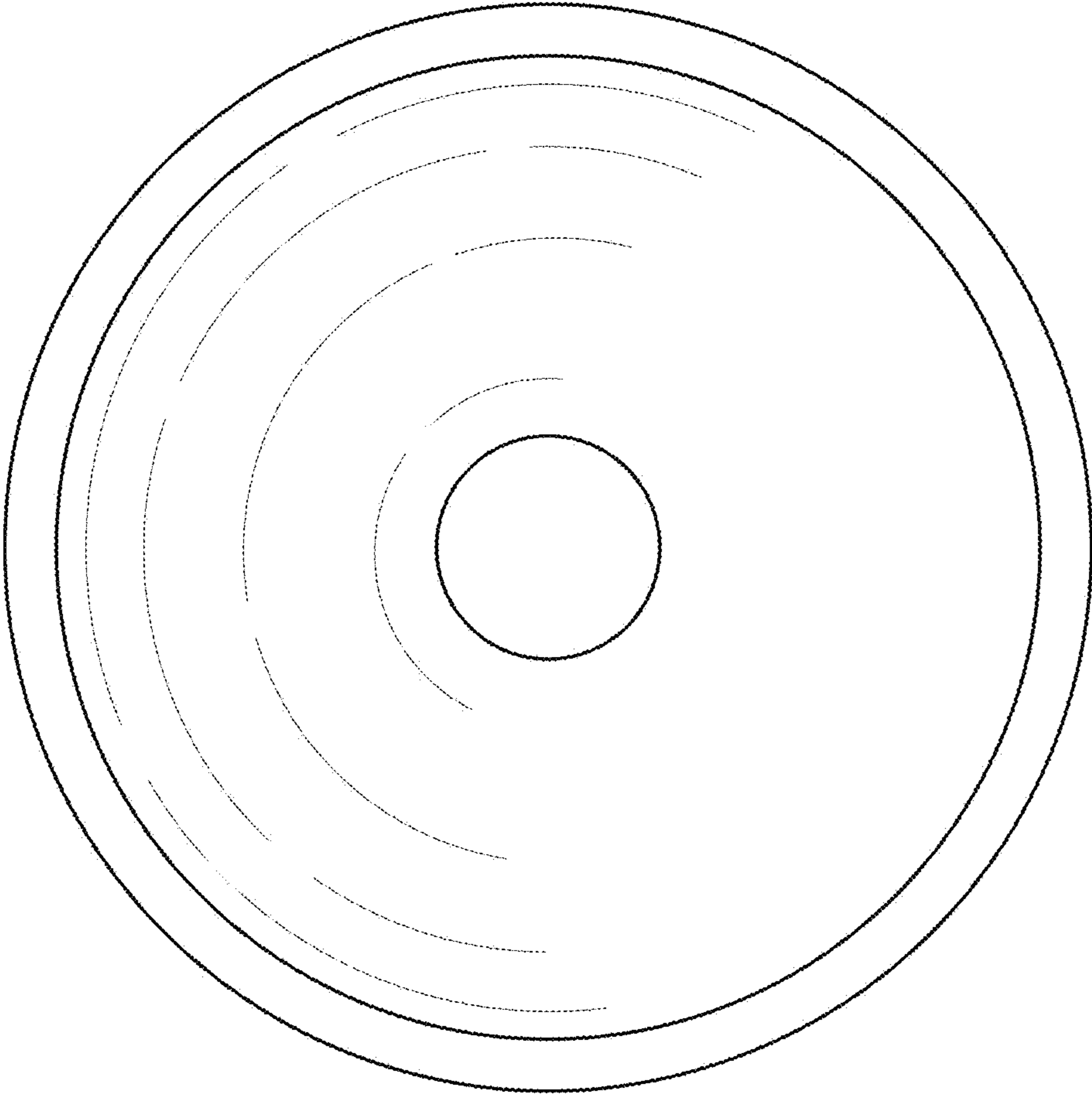


FIG. 4

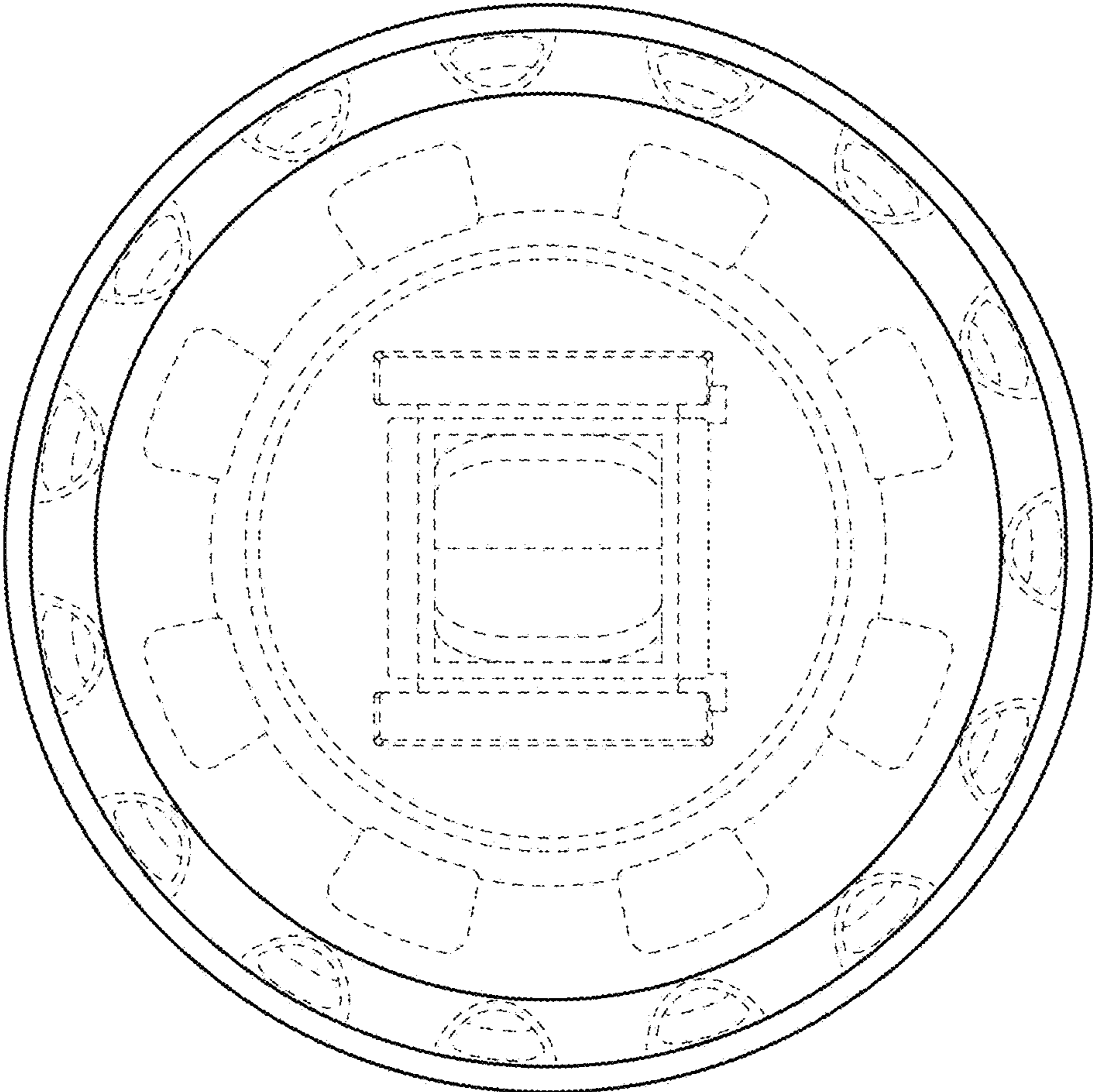


FIG. 5

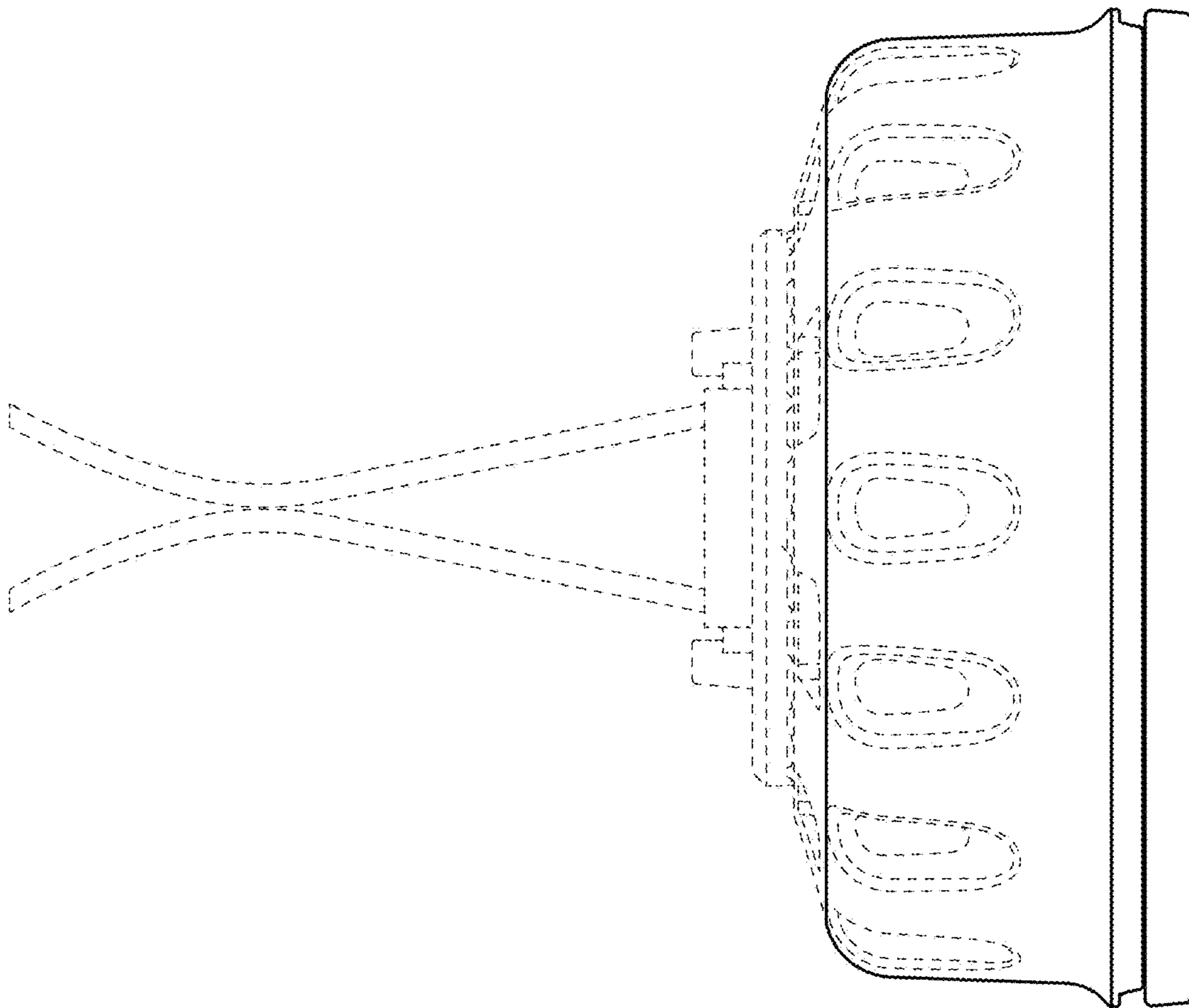


FIG. 6

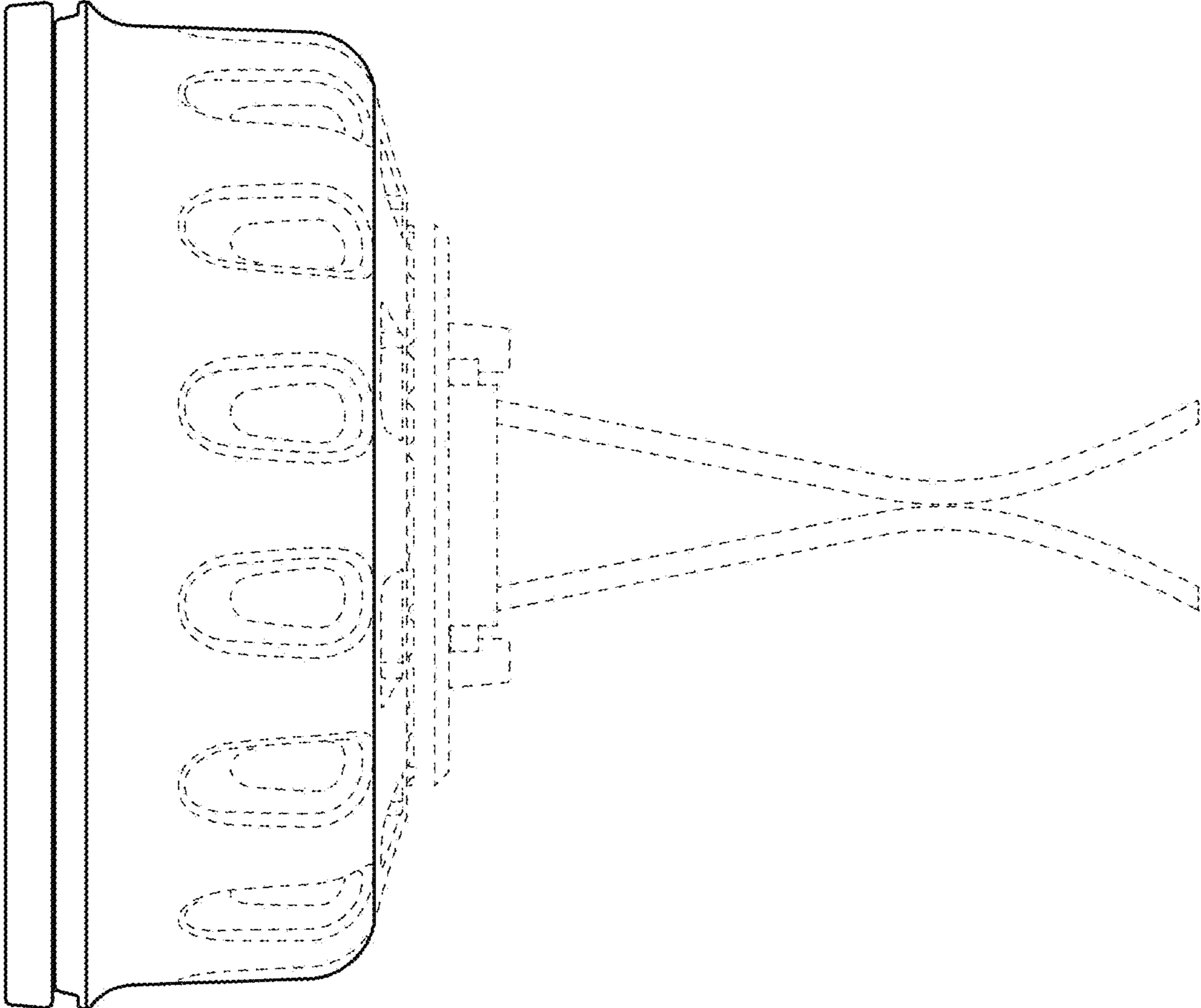


FIG. 7

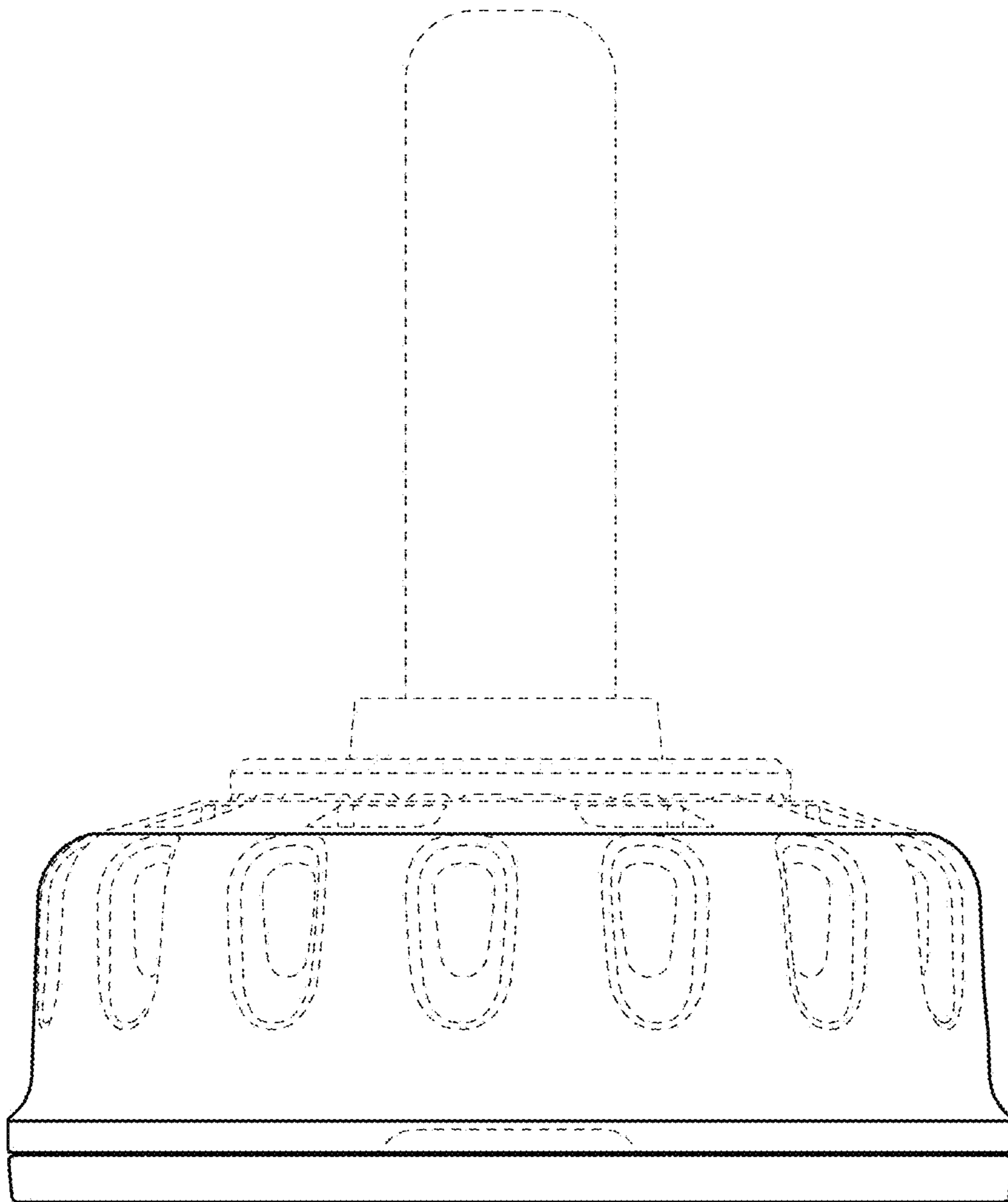


FIG. 8

