



US00D900989S

(12) **United States Design Patent** (10) **Patent No.:** **US D900,989 S**
Liu et al. (45) **Date of Patent:** **** Nov. 3, 2020**

(54) **ULTRASONIC HUMIDIFIER**

(71) Applicant: **Beijing Xiaomi Mobile Software Co., Ltd.**, Beijing (CN)

(72) Inventors: **Tie Liu**, Beijing (CN); **Ziming Yuan**, Beijing (CN)

(73) Assignee: **Beijing Xiaomi Mobile Software Co., Ltd.**, Beijing (CN)

(**) Term: **15 Years**

(21) Appl. No.: **35/506,891**

(22) Filed: **Dec. 12, 2018**

(80) **Hague Agreement Data**

Int. Filing Date: **Dec. 12, 2018**

Int. Reg. No.: **DM/200645**

Int. Reg. Date: **Dec. 12, 2018**

Int. Reg. Pub. Date: **Jun. 14, 2019**

(30) **Foreign Application Priority Data**

Jul. 18, 2018 (CN) 2018 3 0389013

(51) **LOC (12) Cl.** **23-02**

(52) **U.S. Cl.**
USPC **D23/356**

(58) **Field of Classification Search**
USPC D23/332, 333, 335, 336, 342, 351, D23/355-366

CPC F24F 11/30; F24F 11/62; F24F 2110/10; F24F 11/46; F24F 11/56; F24F 2110/00; F24F 11/58; F24F 2140/60; F24F 11/52; F24F 11/32; F24F 11/63; F24F 11/64; F24F 2006/008; F24F 3/14; F24F 11/59; F24F 11/70; F24F 11/83; F24F 13/28; F24F 1/0007; F24F 2110/20; F24F 2120/10; F24F 2120/20; F24F 2140/50; F24F 11/0001; F24F 11/54; F24F 11/61; F24F 11/76; F24F 11/85; F24F 11/88; F24F 11/89; F24F 13/20; F24F 13/24;

F24F 1/02; F24F 1/022; F24F 1/08; F24F 1/12; F24F 1/32; F24F 2006/046; F24F 2110/70; F24F 2120/12; F24F 2120/14; F24F 2130/00; F24F 2130/10; F24F 2130/30; F24F 2221/12; F24F 3/147; F24F 3/1603; F24F 5/0035; F24F 6/02; F24F 6/04; F24F 6/043; F24F 6/10; F24F 6/12; F24F 6/14; F24F 7/08

See application file for complete search history.

(56) **References Cited**

U.S. PATENT DOCUMENTS

D681,791 S *	5/2013	Jorgensen	D23/366
D682,406 S *	5/2013	Yeom	D23/356
D746,967 S *	1/2016	Lee	D23/356
D826,388 S *	8/2018	Yeung	D23/356
D828,527 S *	9/2018	Xu	D23/356
D834,694 S *	11/2018	Walter	D23/366
D835,763 S *	12/2018	Niedermann	A61M 16/06
				D23/356
D849,218 S *	5/2019	Liang	D23/356
D864,368 S *	10/2019	Chen	D23/356

(Continued)

Primary Examiner — Khawaja Anwar

(74) *Attorney, Agent, or Firm* — Syncoda LLC; Feng Ma

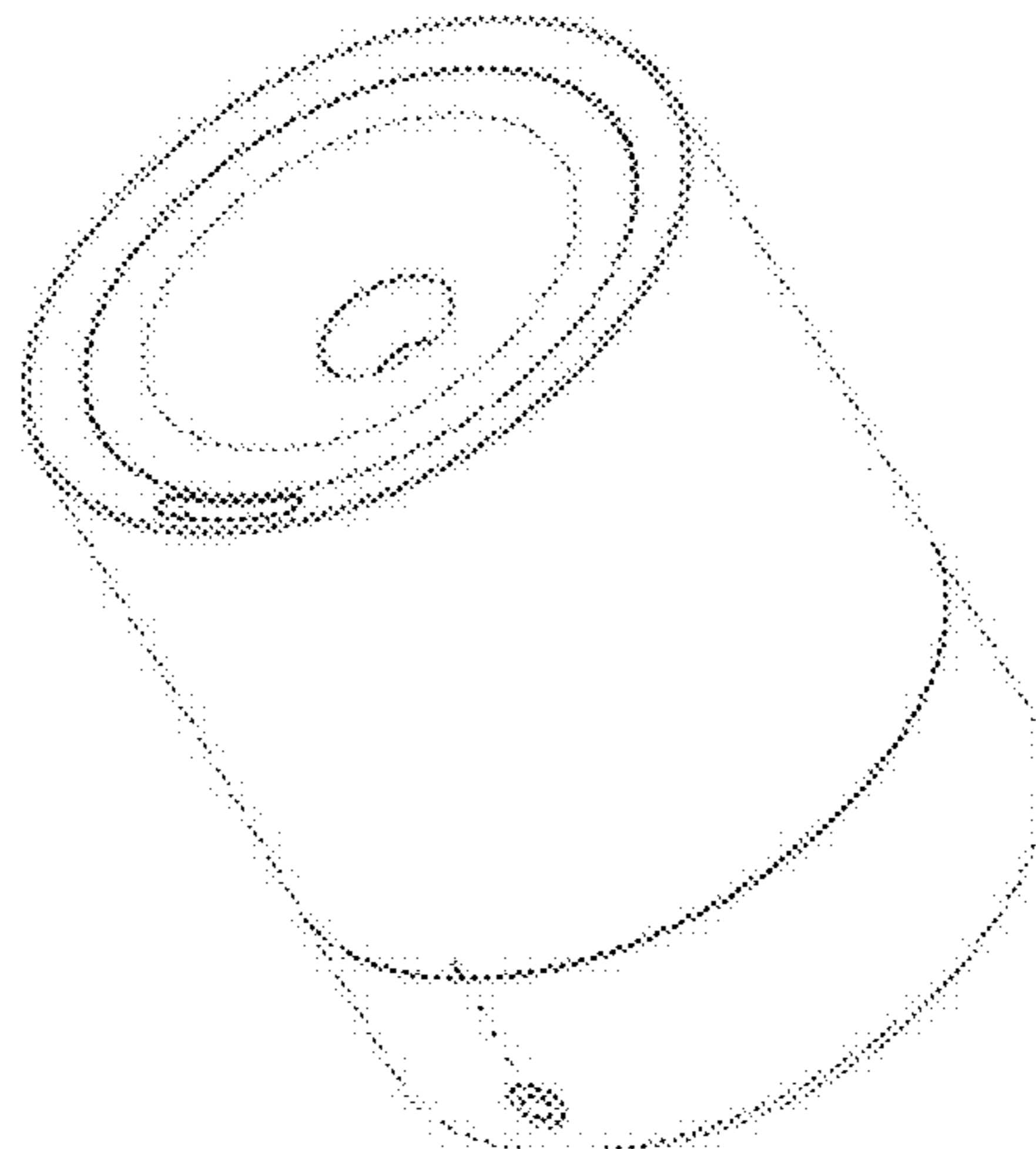
(57) **CLAIM**

The ornamental design for an ultrasonic humidifier, as shown and described.

DESCRIPTION

- 1.1 is a front view of an ultrasonic humidifier showing our new design.
- 1.2 is a rear view thereof.
- 1.3 is a left side view thereof.
- 1.4 is a right side view thereof.
- 1.5 is a top view thereof.
- 1.6 is a bottom view thereof.
- 1.7 is a perspective view thereof.

(Continued)



The features shown in broken lines form no part of the claimed design.

1 Claim, 7 Drawing Sheets

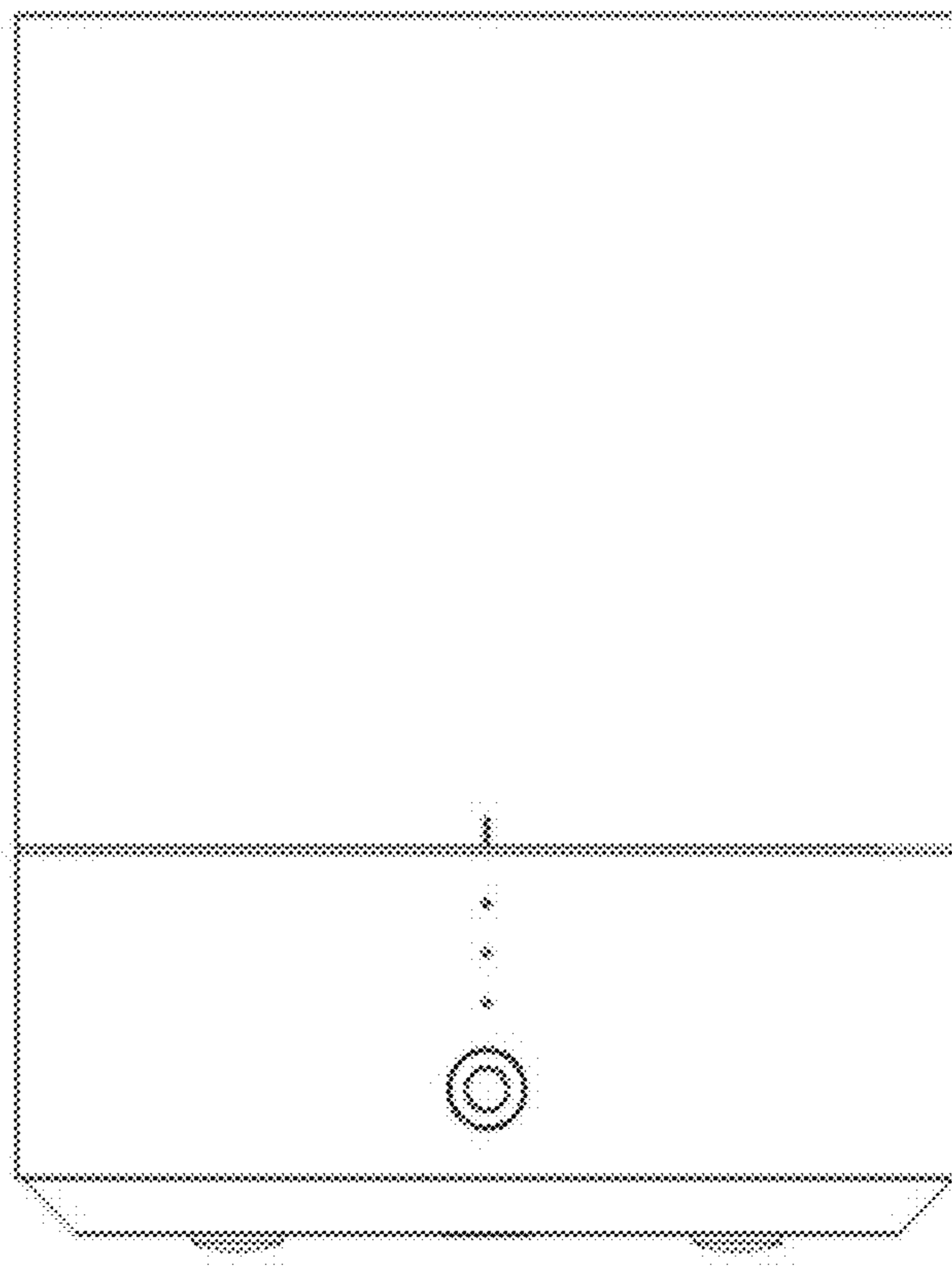
(56)

References Cited

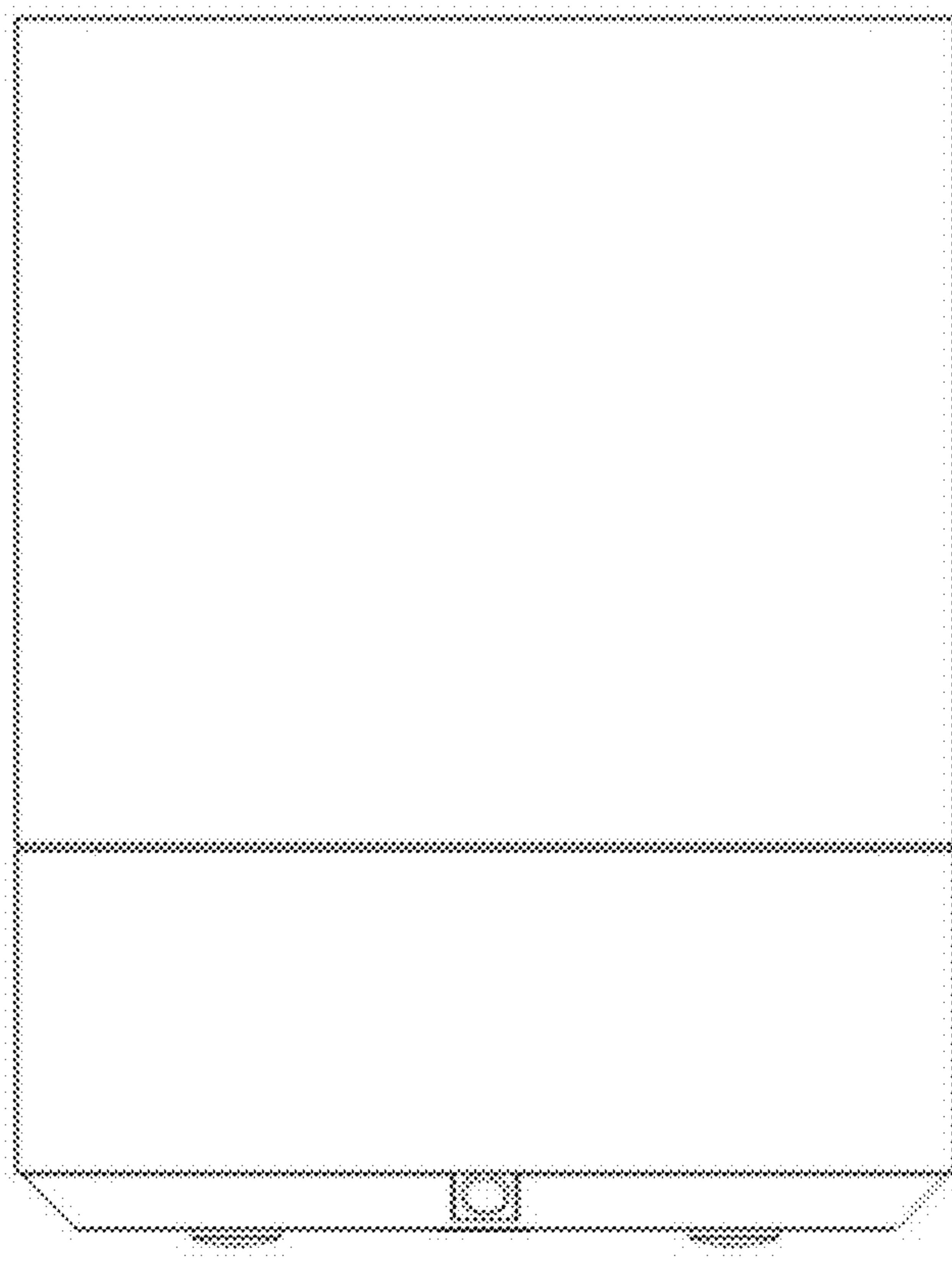
U.S. PATENT DOCUMENTS

D864,372 S	*	10/2019	Lee	D23/366
D870,872 S	*	12/2019	Takano	D23/356
D870,873 S	*	12/2019	Chen	D23/356
D872,846 S	*	1/2020	Jessup	D23/364

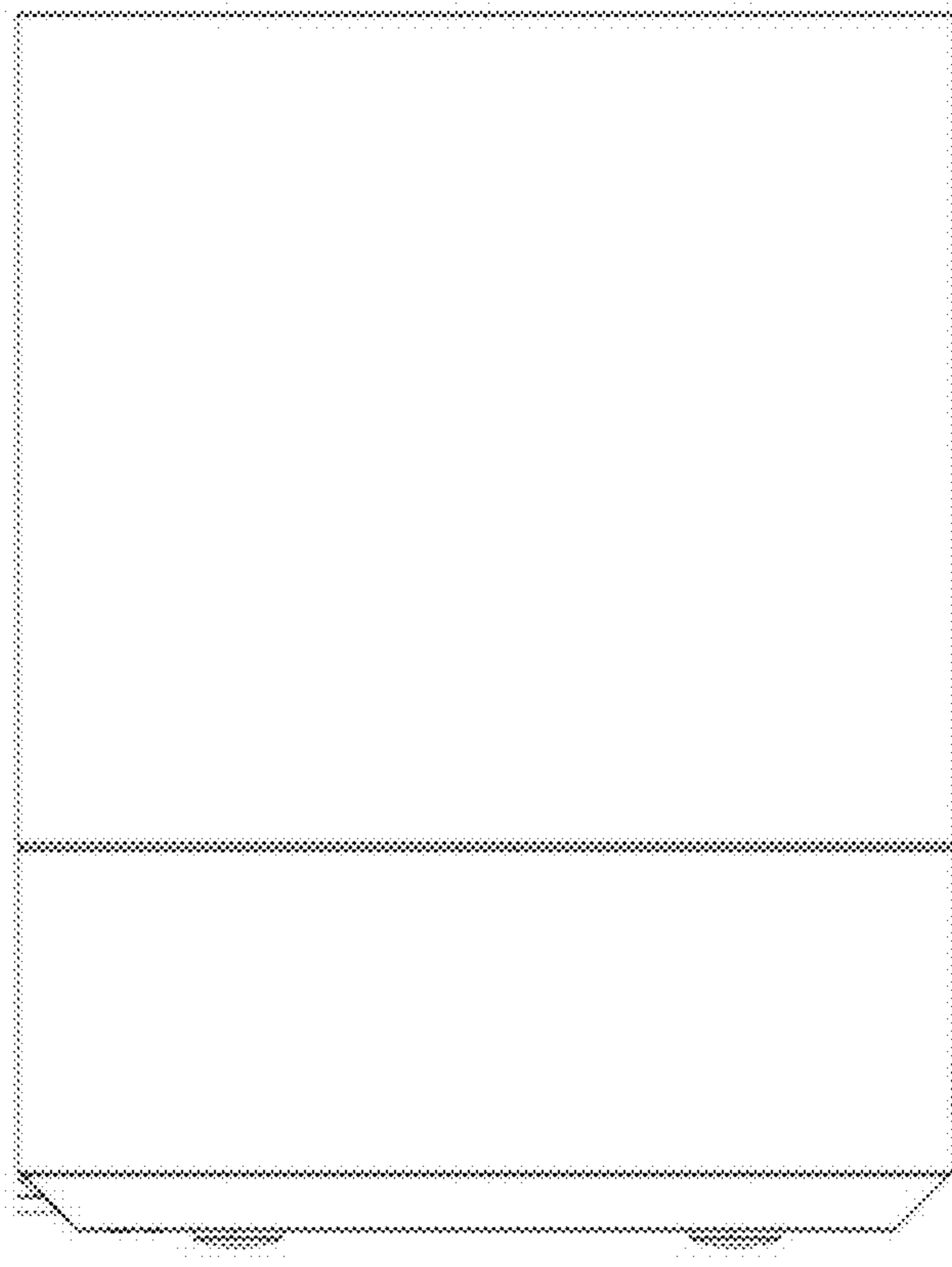
* cited by examiner



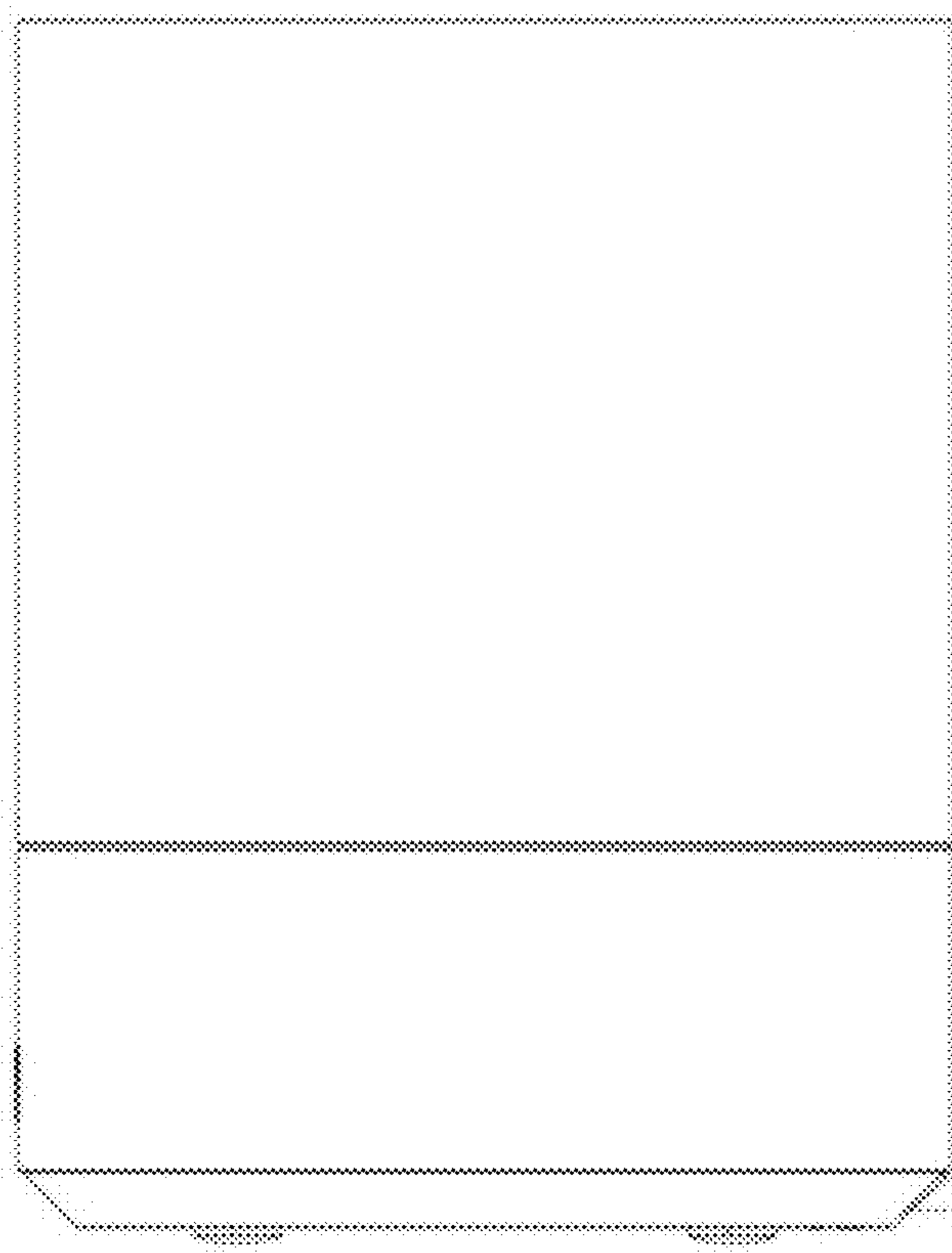
1.1



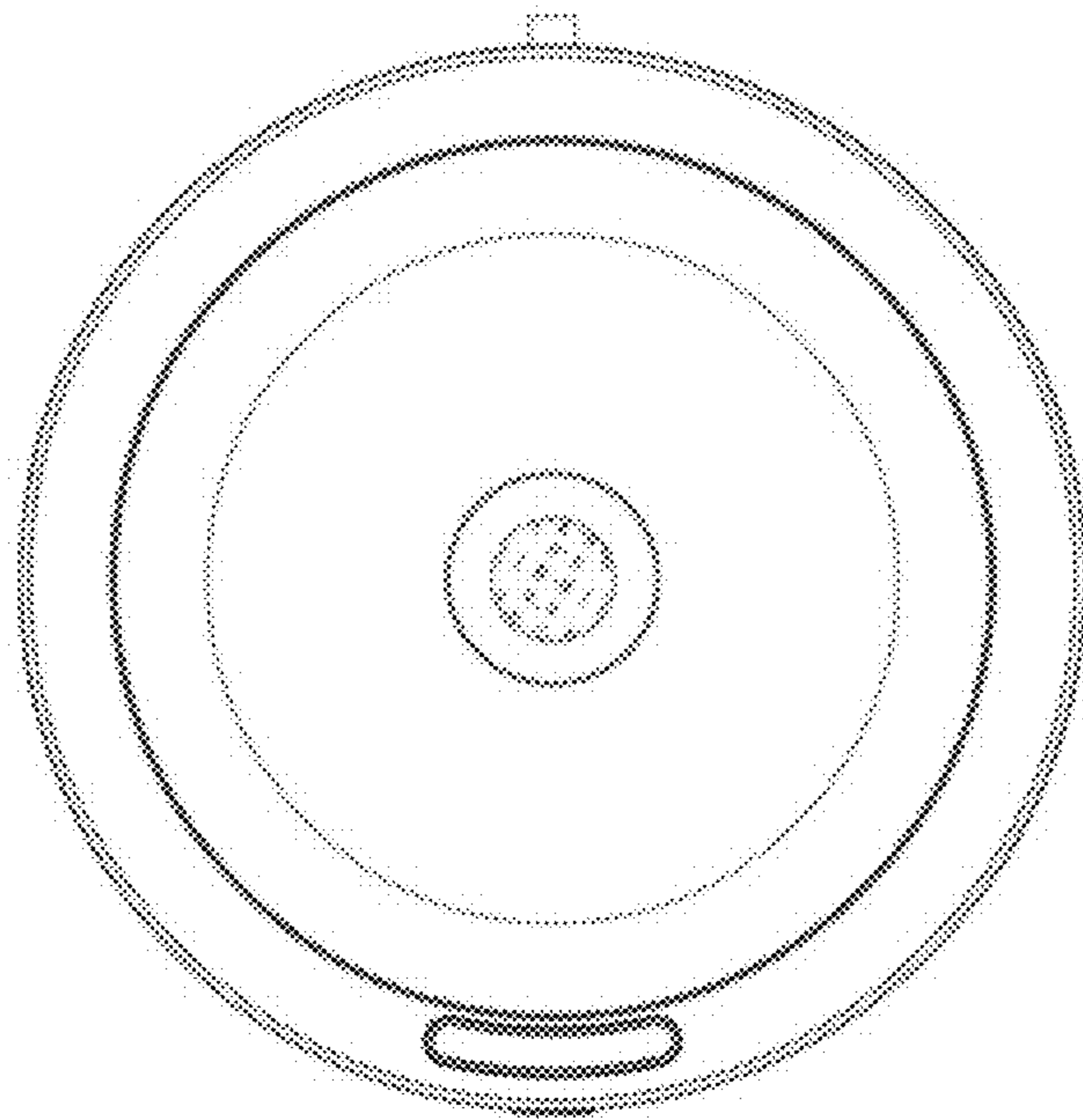
1.2



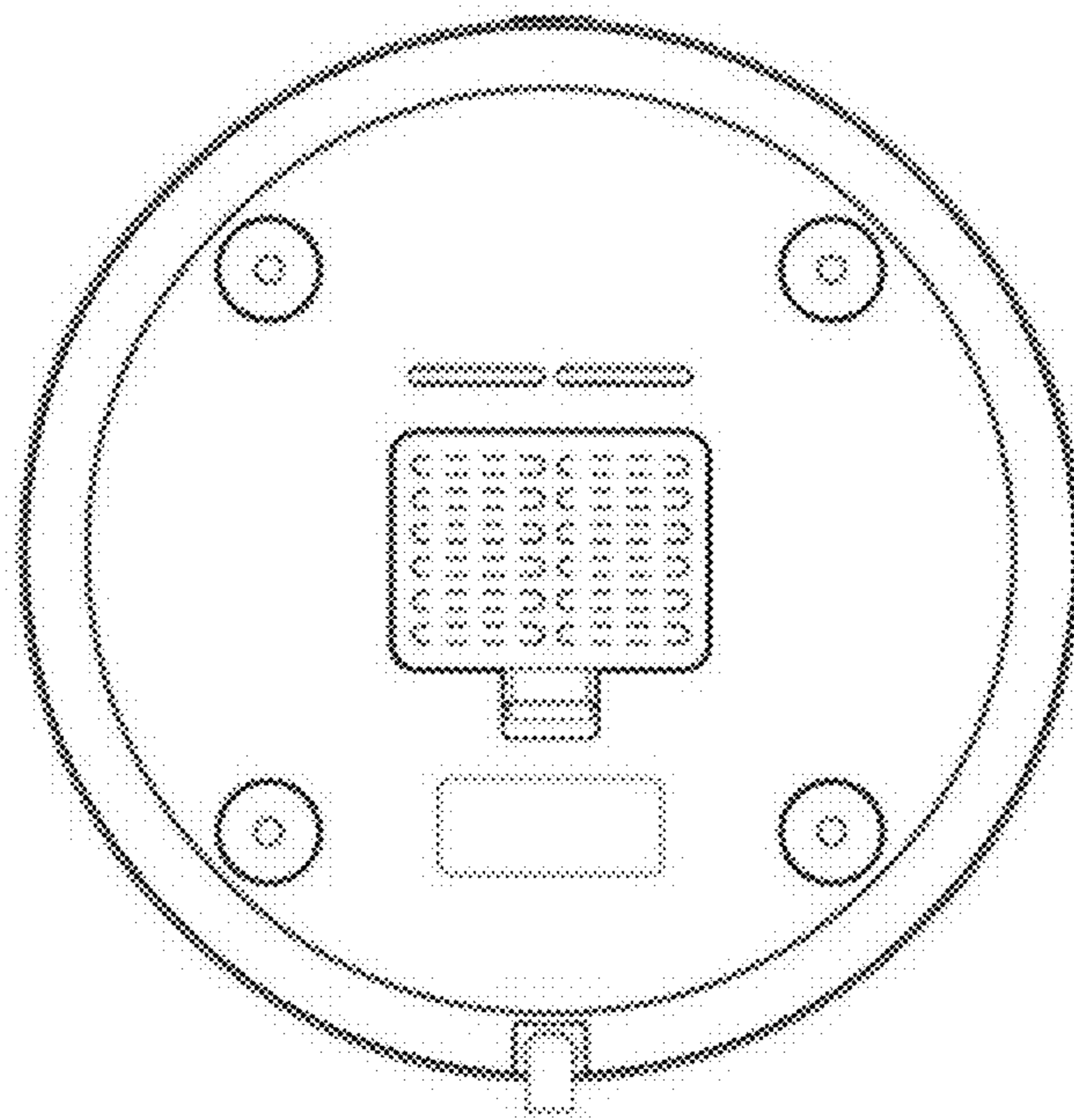
1.3



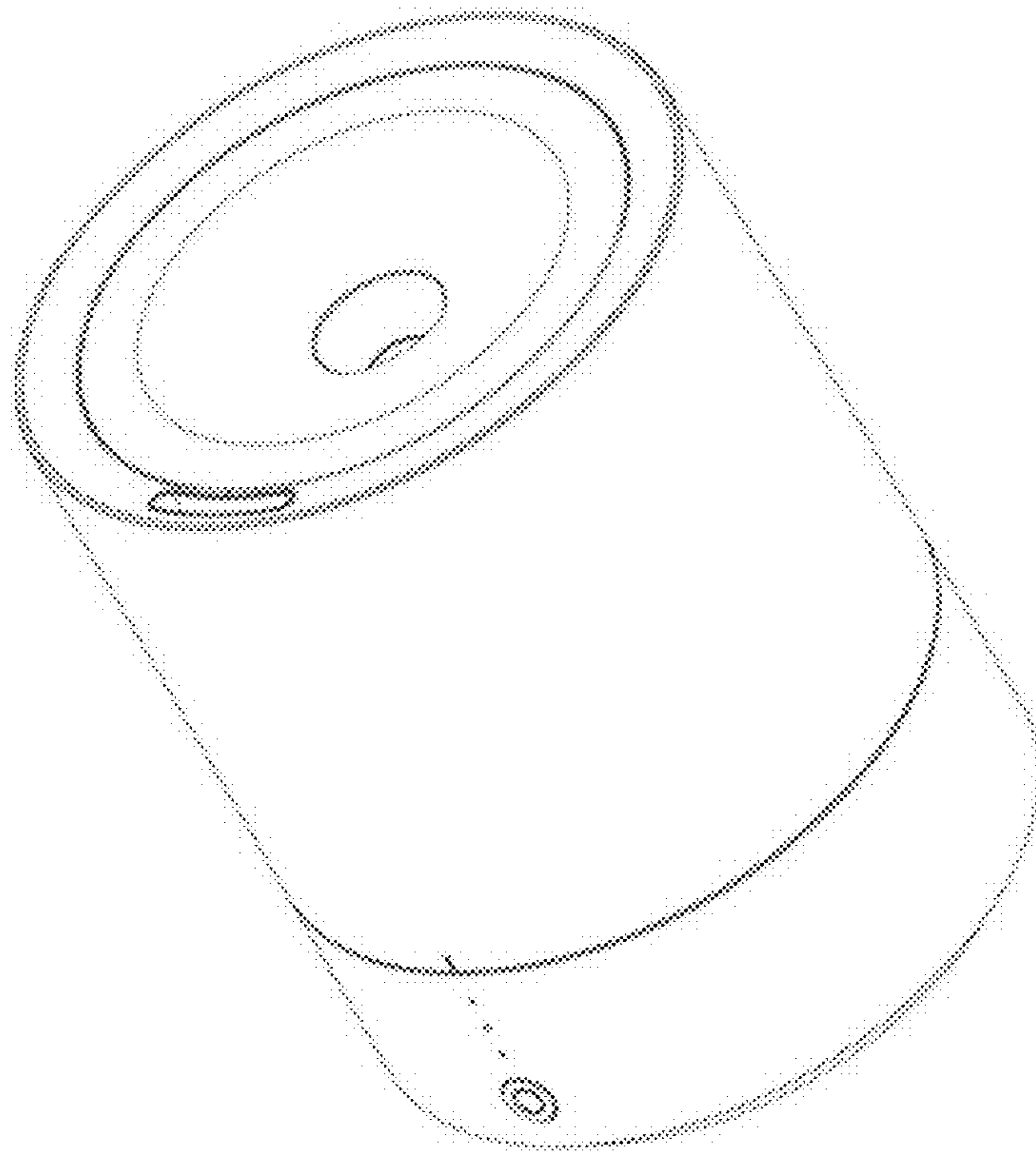
1.4



1.5



1.6



1.7