



US00D900980S

(12) **United States Design Patent**
Newcomb

(10) **Patent No.:** **US D900,980 S**

(45) **Date of Patent:** **** Nov. 3, 2020**

- (54) **SUBFLOOR CLOSET FLANGE SPACER**
- (71) Applicant: **GTR Innovations, LLC**, Salem, OR (US)
- (72) Inventor: **Rodney G. Newcomb**, Salem, OR (US)
- (73) Assignee: **GTR INNOVATIONS, LLC**, Salem, OR (US)
- (**) Term: **15 Years**
- (21) Appl. No.: **29/729,741**
- (22) Filed: **Mar. 30, 2020**

4,886,302	A	12/1989	Forbes	
D371,138	S *	6/1996	Waskiewicz	384/428
D383,965	S *	9/1997	Ichihara	D8/353
6,581,214	B1 *	6/2003	Love	E03D 11/16 285/56
7,069,603	B2	7/2006	Flushing	
D559,080	S	1/2008	Boote	
D574,931	S	8/2008	Hughes	
D585,530	S	1/2009	Ito	
D647,181	S	10/2011	Kovach	
D670,793	S *	11/2012	Marquis-Martin	D23/259
8,561,218	B1 *	10/2013	Arce	E03D 11/16 4/252.4
9,074,377	B2	7/2015	Wood	
D737,406	S	8/2015	Waggoner	
9,297,157	B2	3/2016	Wendorff	
D773,589	S *	12/2016	Wasankari	D22/108
9,915,061	B1 *	3/2018	DeFalco	E04F 15/02188

(Continued)

Related U.S. Application Data

- (63) Continuation of application No. 29/644,266, filed on Apr. 16, 2018, now Pat. No. Des. 883,449.
- (51) **LOC (12) Cl.** **23-01**
- (52) **U.S. Cl.**
USPC **D23/259**; D8/354
- (58) **Field of Classification Search**
USPC D8/354; D23/259-262
CPC E03D 11/16; E03D 11/17
See application file for complete search history.

Primary Examiner — Lauren R Calve

(74) *Attorney, Agent, or Firm* — Green, Howard & Mughal, LLP; Karen Dana Oster

(57) **CLAIM**

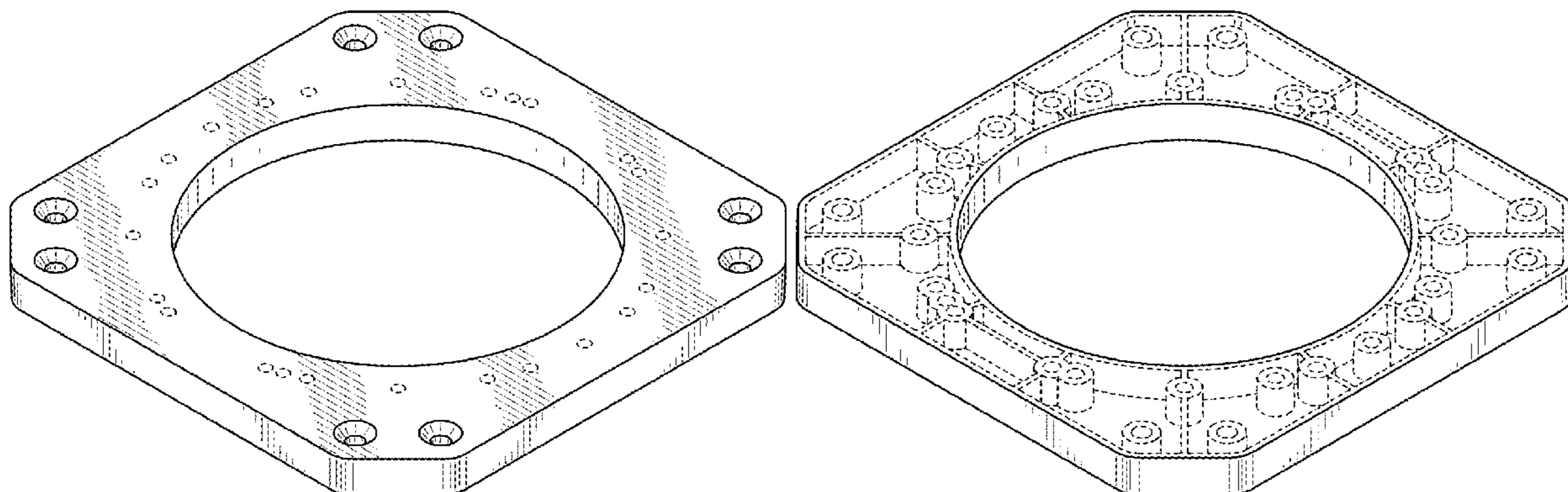
The ornamental design for a subfloor closet flange spacer, as shown and described.

DESCRIPTION

FIG. 1 is a top perspective view of a subfloor closet flange spacer of my new design;
FIG. 2 is a bottom perspective view thereof;
FIG. 3 is a top view thereof;
FIG. 4 is a bottom view thereof; and,
FIG. 5 is a side view thereof, the other side views being identical.

The shading on the subfloor closet flange spacer is meant to delineate contour, not material or surface texture.
The broken lines in the drawing depict portions of the subfloor closet flange spacer that form no part of the claimed design.

1 Claim, 2 Drawing Sheets



(56)

References Cited

U.S. PATENT DOCUMENTS

D883,449 S * 5/2020 Newcomb D23/259
2007/0216162 A1 9/2007 Ennin
2011/0131715 A1* 6/2011 Culwell E03D 11/16
4/252.5
2013/0219603 A1 8/2013 Wendorff
2019/0316338 A1 10/2019 Pytlewski

* cited by examiner

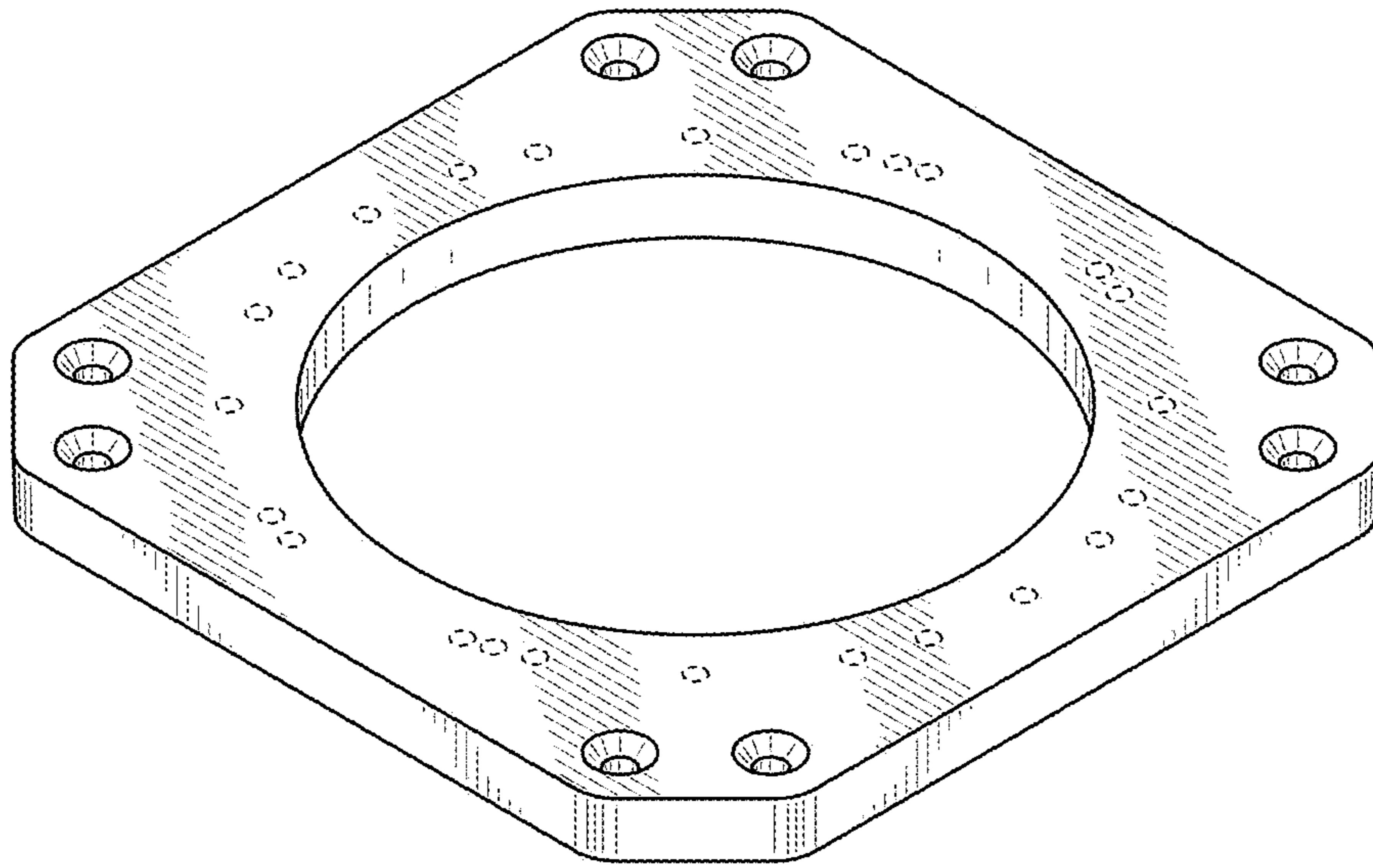


FIG. 1

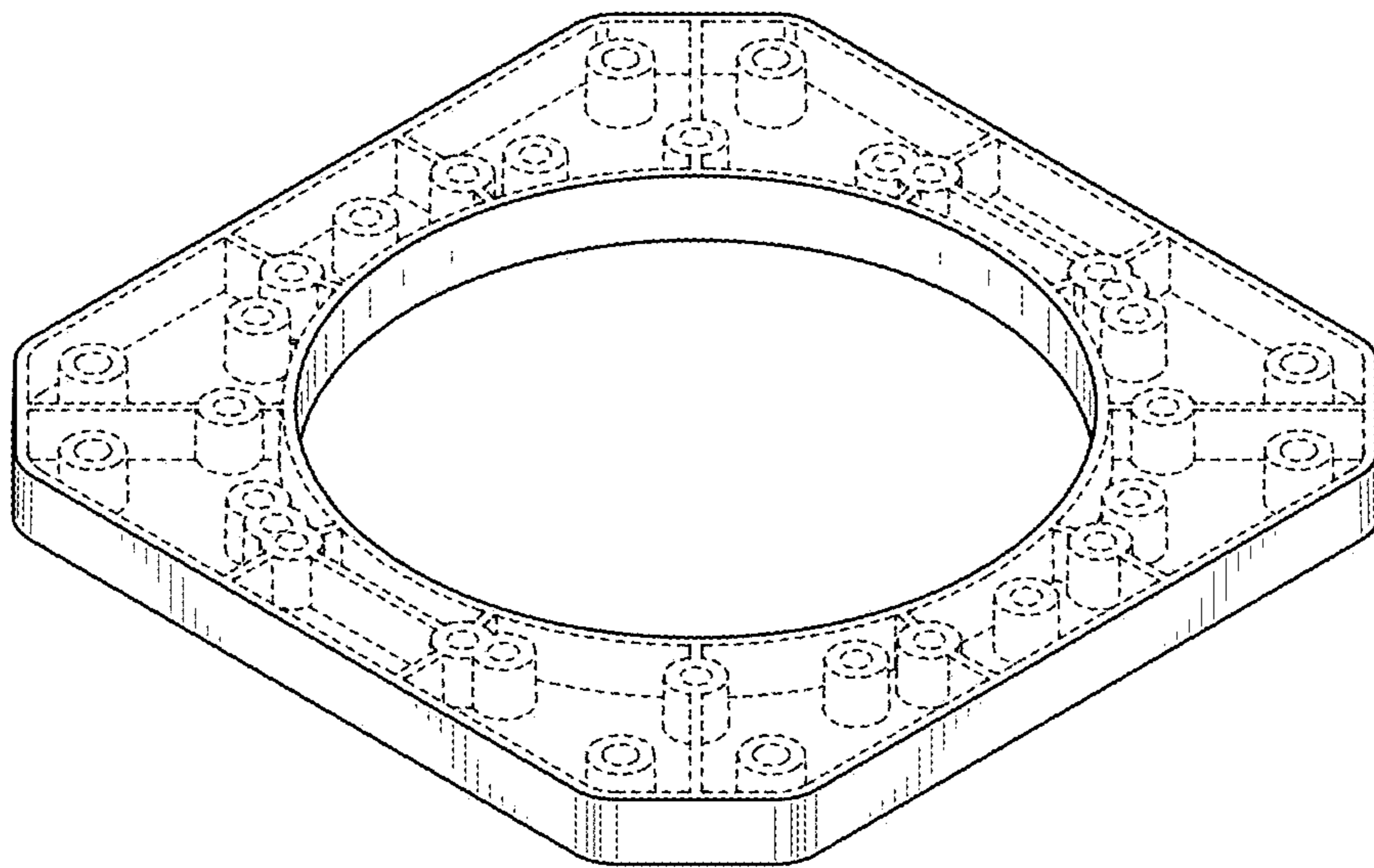


FIG. 2

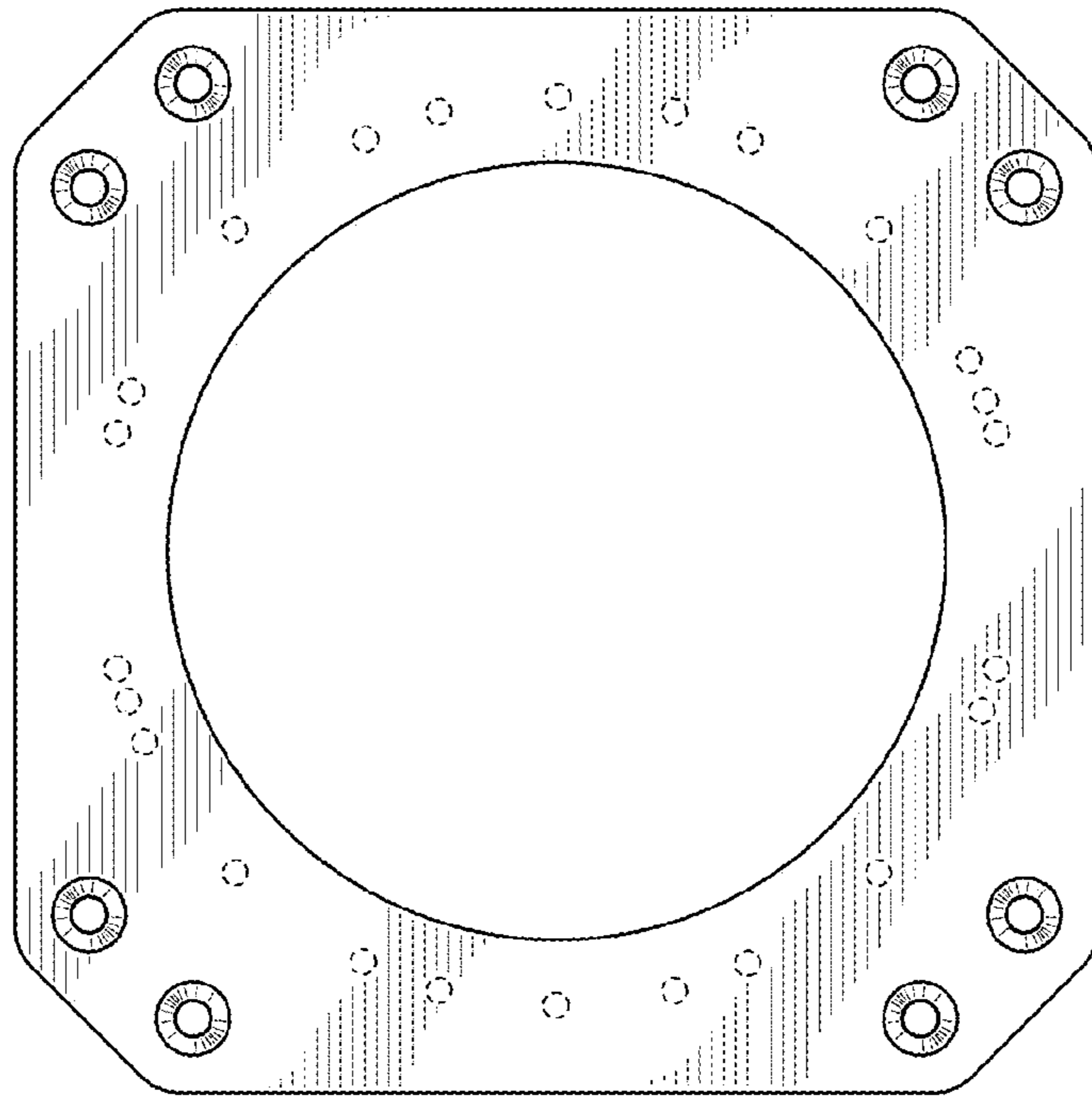


FIG. 3

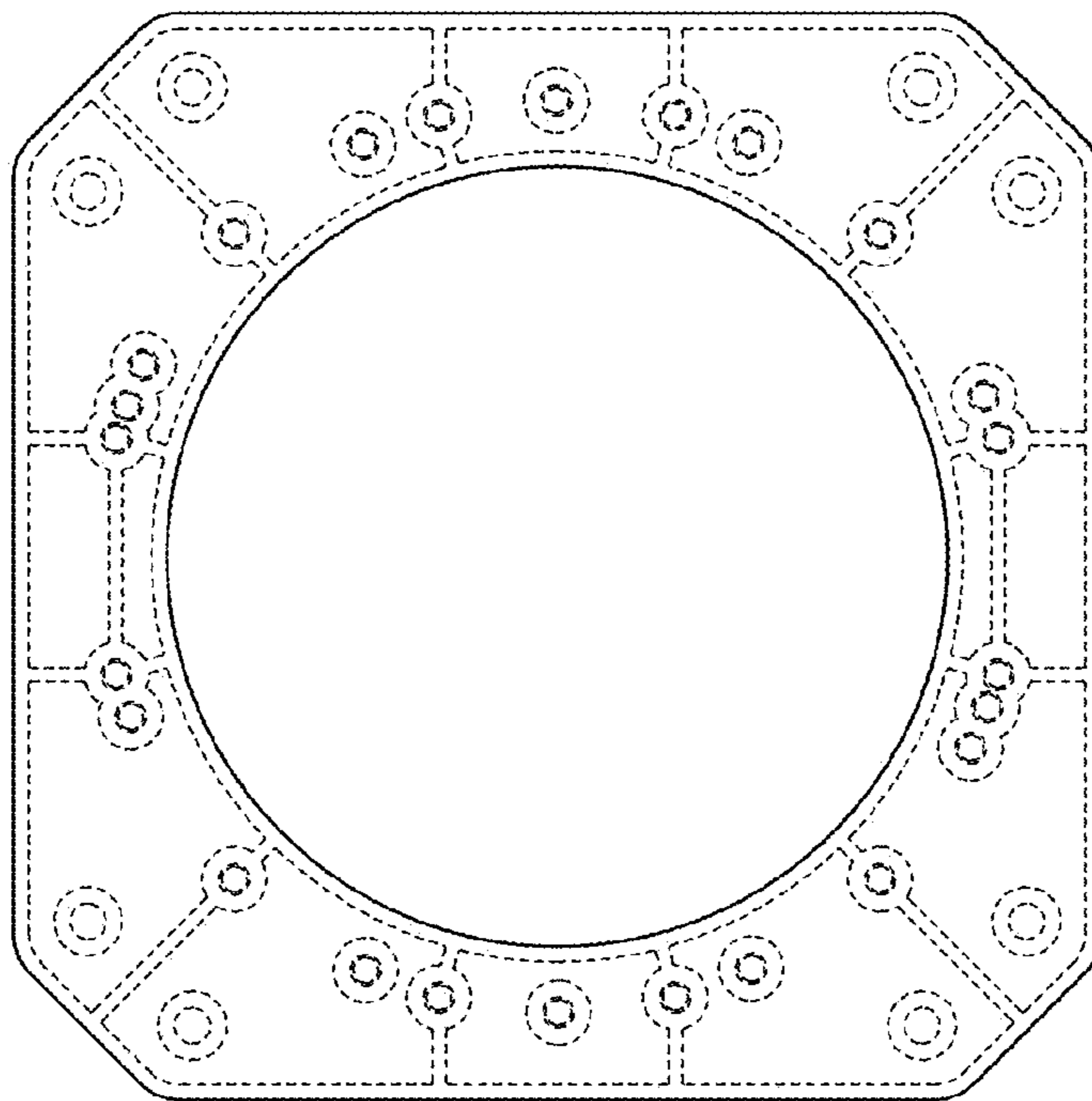


FIG. 4



FIG. 5