



US00D900979S

(12) **United States Design Patent**
Mosley

(10) **Patent No.:** **US D900,979 S**

(45) **Date of Patent:** **** Nov. 3, 2020**

(54) **NOZZLE SLEEVE**

(71) Applicant: **JROD SLEEVES LLC**, Sebastian, FL (US)

(72) Inventor: **Adam Mosley**, Sebastian, FL (US)

(73) Assignee: **JROD SLEEVES LLC**, Sebastian, FL (US)

(**) Term: **15 Years**

(21) Appl. No.: **29/671,237**

(22) Filed: **Nov. 26, 2018**

(51) **LOC (12) Cl.** **23-01**

(52) **U.S. Cl.**
USPC **D23/259**

(58) **Field of Classification Search**
USPC D23/221, 227-228, 249, 259-260, 262, D23/264-266, 213-214; D13/133, 150, D13/154-156; 285/345, 377, 388, 390, 285/148.14, 148.19, 148.21, 148.2, 328, 285/921, 125.1, 126.1, 129.2, 132.1, 285/360-361, 376, 396, 401-402, 123.15, 285/294.1, 294.4, 15-16, 45, 48-50, 53, 285/148.22, 235; 251/143, 146-152; 137/247.51; D24/129; 138/96 R, 138/109-110, 118-118.1, 125, 128, 135, 138/155-156, 167, 169, 177
CPC ... F16L 25/0027; F16L 3/1075; F16L 3/1091; F16L 58/184
See application file for complete search history.

(56) **References Cited**

U.S. PATENT DOCUMENTS

D235,998 S * 7/1975 Smith D23/263
4,478,901 A * 10/1984 Dickens A47G 27/0212
404/36

D281,752 S * 12/1985 Dickens D6/582
D394,898 S * 6/1998 Evans D23/214
D486,884 S * 2/2004 Gregory D23/214
D490,497 S * 5/2004 Okazaki D23/209
D492,012 S * 6/2004 Lin D23/249
D570,953 S * 6/2008 Patterson D23/213
D585,531 S * 1/2009 Hamel D23/263
D612,916 S * 3/2010 Hartman D23/266
D862,202 S * 10/2019 Niu D8/354
D890,335 S * 7/2020 Nelson D24/129
2017/0146168 A1 * 5/2017 Caprio F16L 3/1075

* cited by examiner

Primary Examiner — Amy C Wierenga

(74) *Attorney, Agent, or Firm* — Mark Malek; Widerman Malek, PL

(57) **CLAIM**

The ornamental design for a nozzle sleeve, as shown and described.

DESCRIPTION

FIG. 1 is a front perspective view of a nozzle sleeve according to the present invention.

FIG. 2 is a side elevation view of the nozzle sleeve illustrated in FIG. 1.

FIG. 3 is a front elevation view of the nozzle sleeve illustrated in FIG. 1.

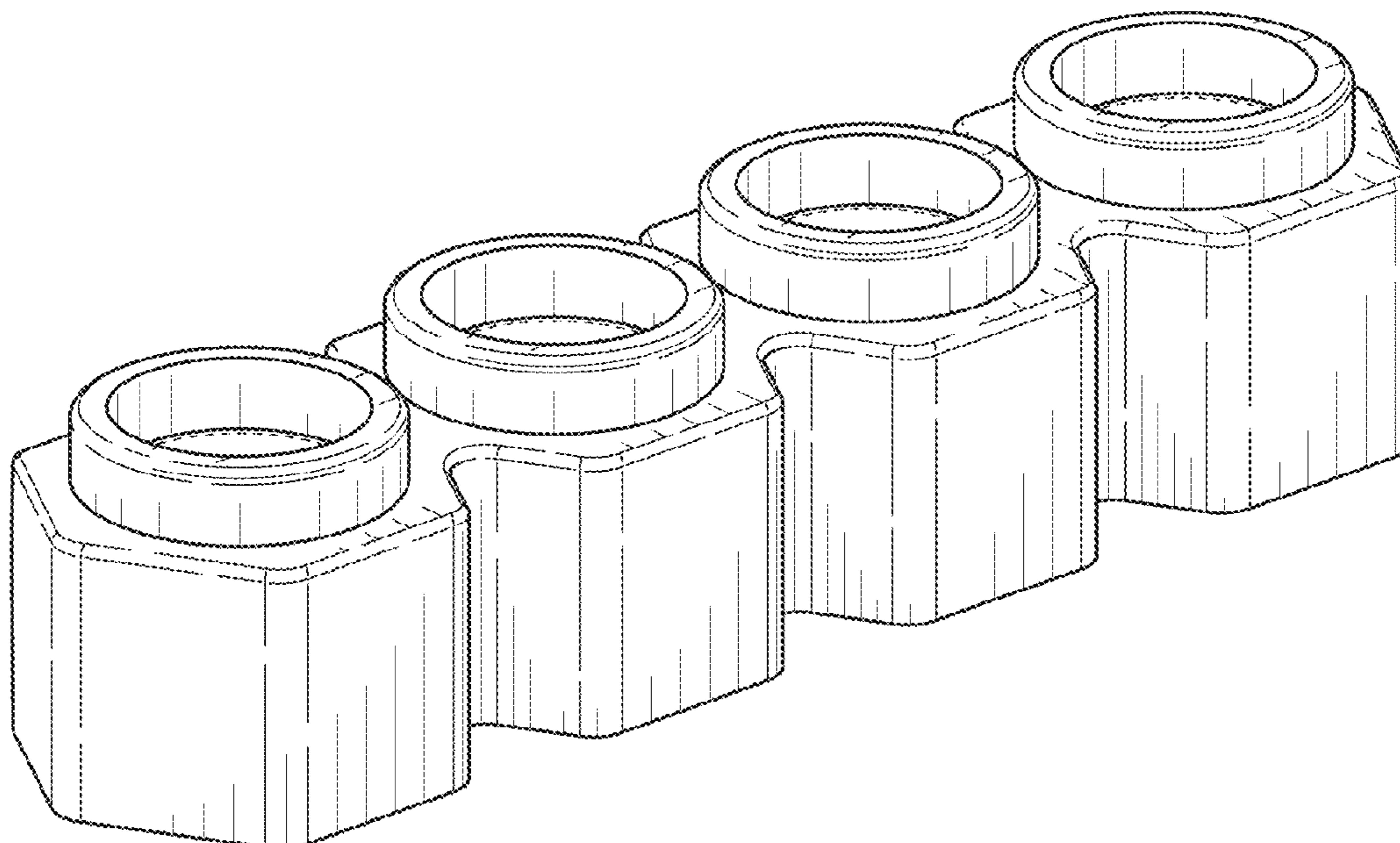
FIG. 4 is a top plan view of the nozzle sleeve illustrated in FIG. 1.

FIG. 5 is a bottom plan view of the nozzle sleeve illustrated in FIG. 1; and,

FIG. 6 is a bottom perspective view of the nozzle sleeve illustrated in FIG. 1.

The broken lines in FIG. 1 illustrate an outline of an inner edge of a portion of the nozzle sleeve.

1 Claim, 2 Drawing Sheets



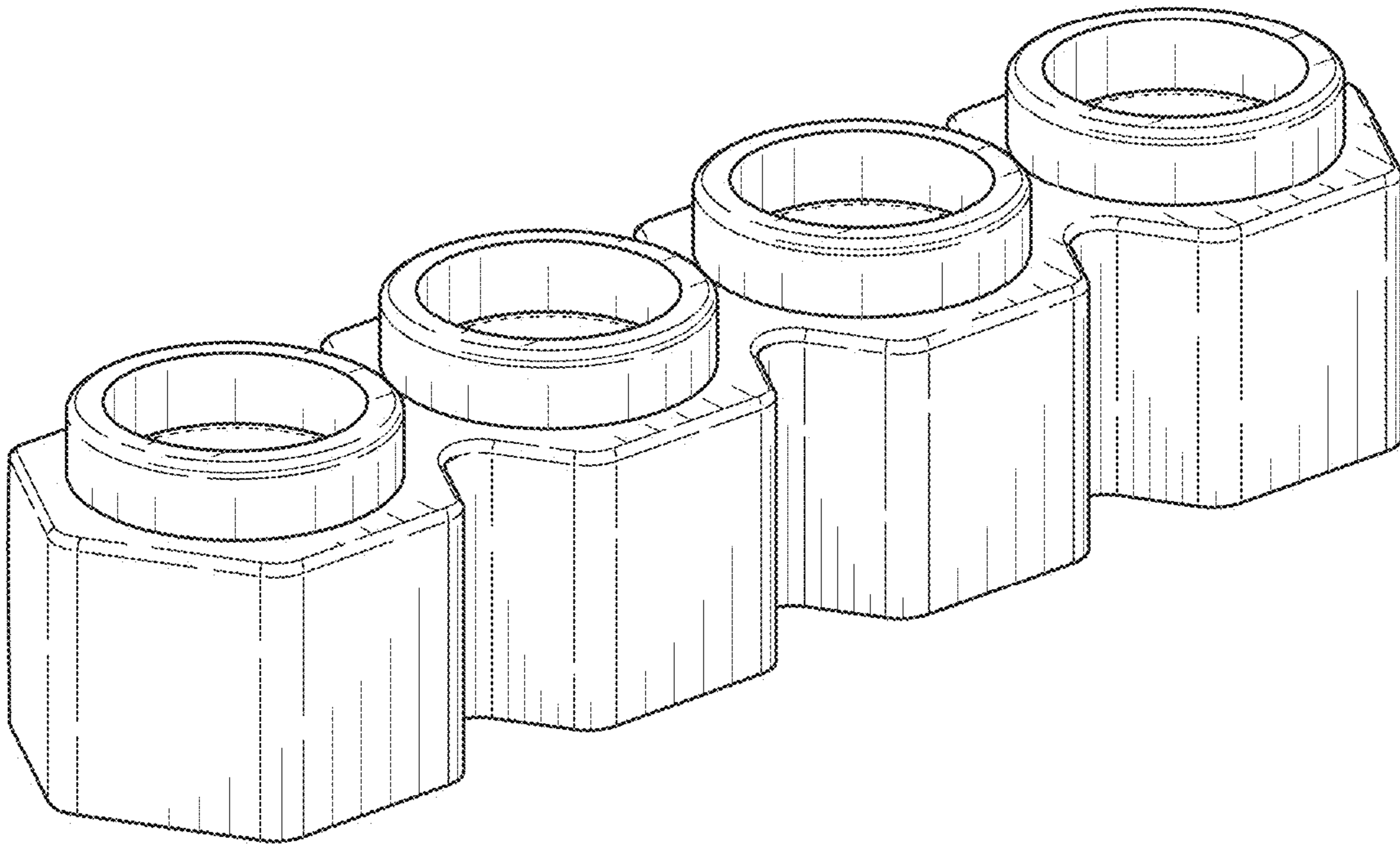


FIG. 1

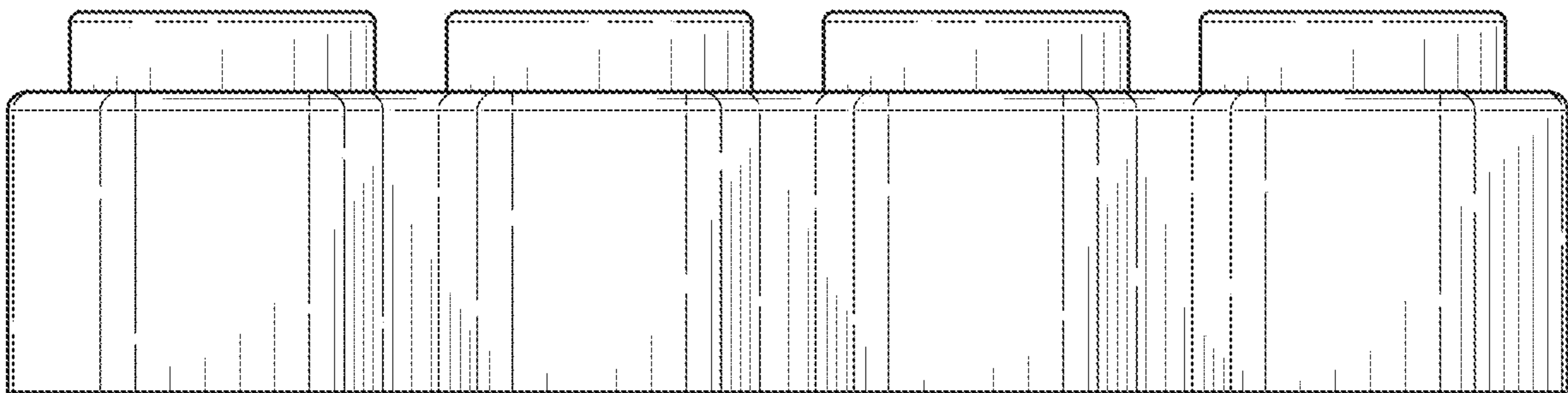


FIG. 2

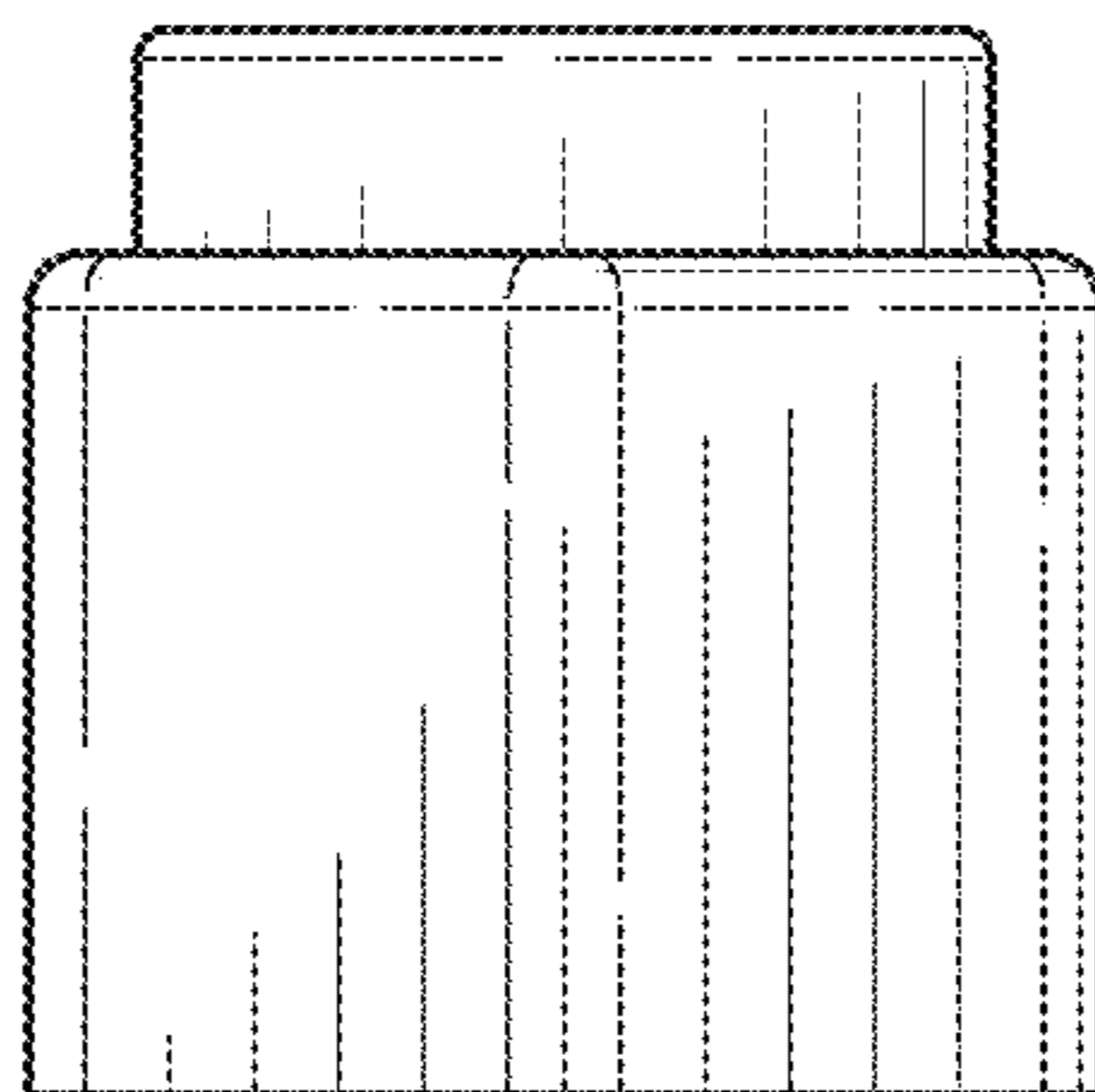


FIG. 3

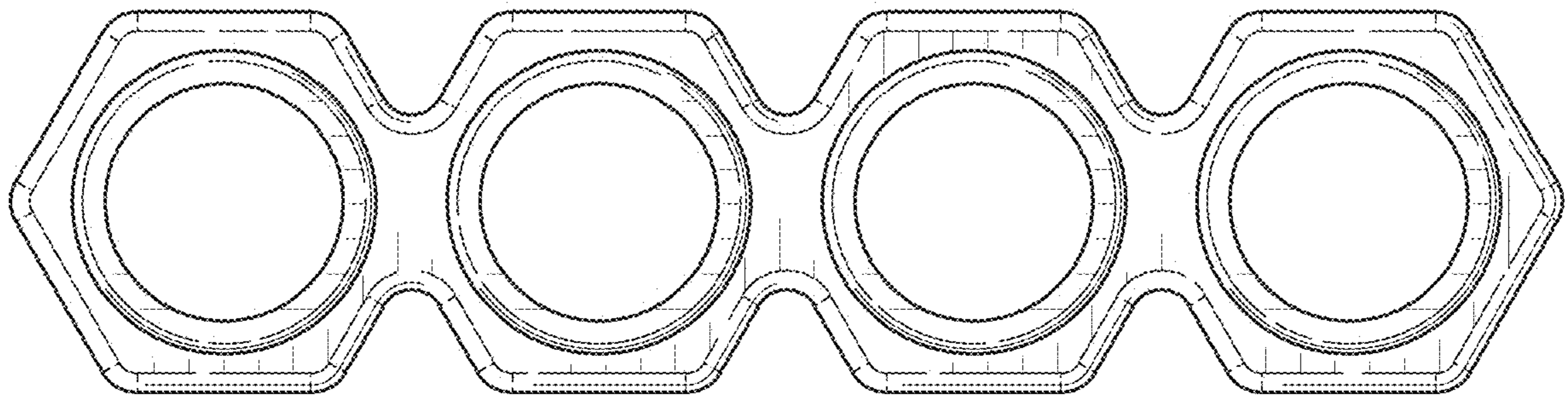


FIG. 4

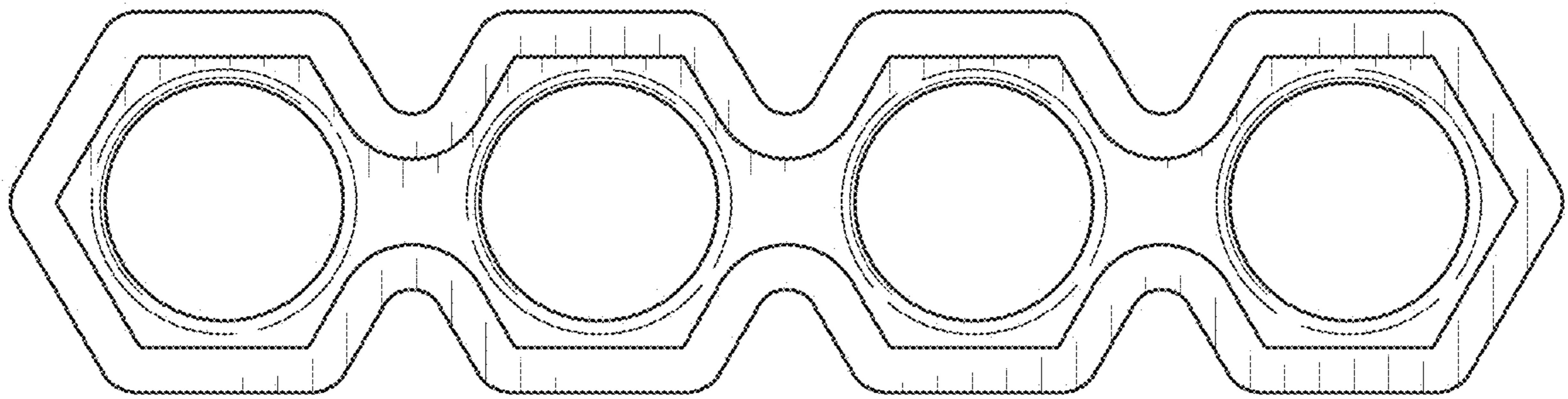


FIG. 5

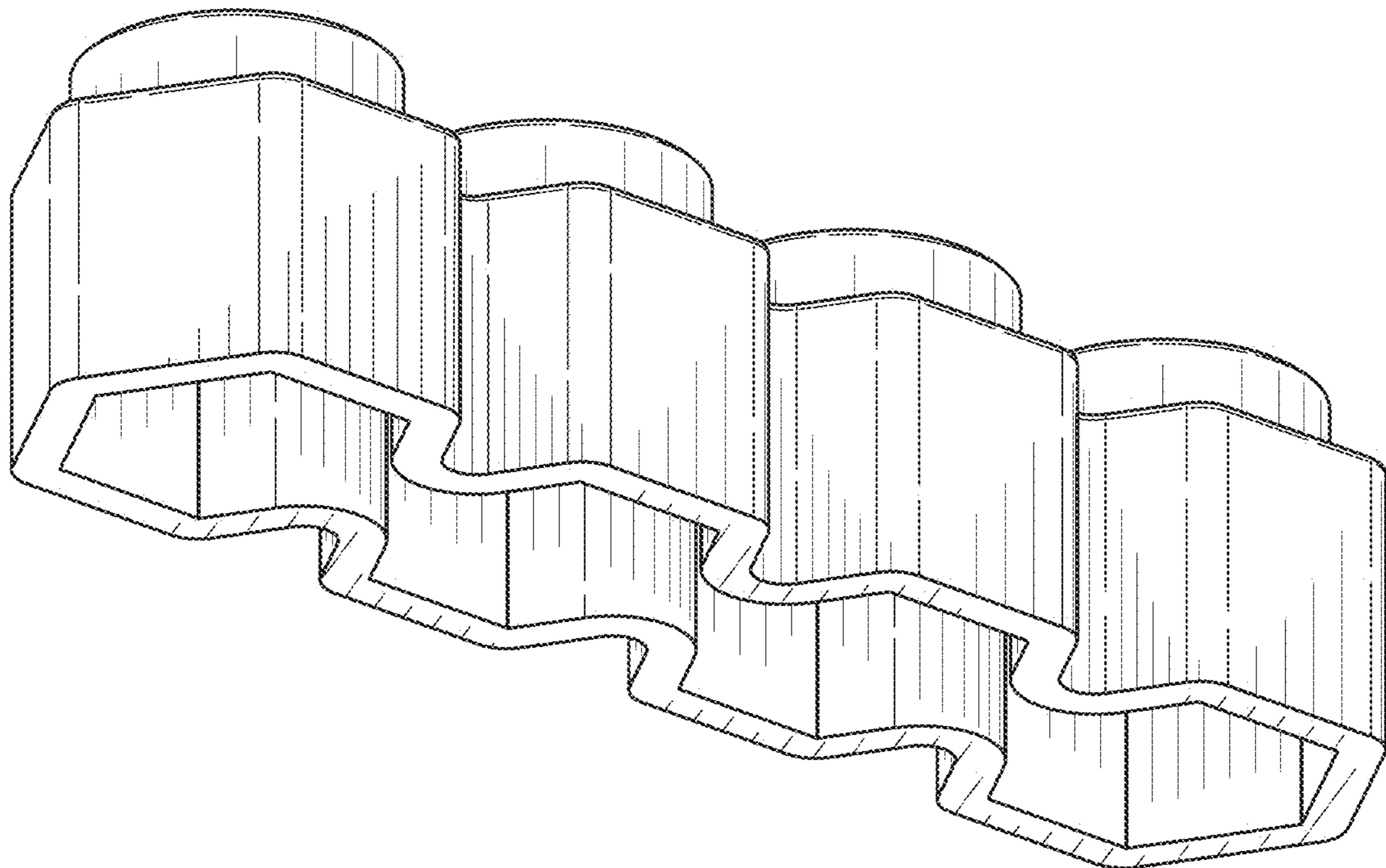


FIG. 6