



US00D900977S

(12) **United States Design Patent** (10) **Patent No.:** **US D900,977 S**
Soulier et al. (45) **Date of Patent:** **** Nov. 3, 2020**

(54) **SHOWER HANDLE ASSEMBLY**
 (71) Applicant: **KOHLER CO.**, Kohler, WI (US)
 (72) Inventors: **Jean-Hugues Soulier**, Vaucresson (FR);
Ferran Serra Sola, Paris (FR); **Chia Lee**,
 Chicago, IL (US); **Jimin Niu**, Beijing (CN);
Sophie Su, Shanghai (CN); **Hui Ren**, Beijing (CN)
 (73) Assignee: **KOHLER CO.**, Kohler, WI (US)
 (**) Term: **15 Years**

D493,869 S 8/2004 Citterio
 D494,661 S 8/2004 Zieger et al.
 D531,277 S 10/2006 Tsai
 D535,725 S 1/2007 Chu et al.
 D542,384 S 5/2007 Starck
 D568,447 S 5/2008 Lai
 D592,284 S 5/2009 Lammel et al.
 D624,991 S 10/2010 Kulig
 D627,861 S 11/2010 Sandee
 D698,012 S 1/2014 Schoenherr et al.
 D714,915 S 10/2014 Von Der Lancken et al.
 D730,492 S 5/2015 Grohe
 D783,131 S 4/2017 Wang

(Continued)

(21) Appl. No.: **29/737,778**
 (22) Filed: **Jun. 11, 2020**

Related U.S. Application Data

(62) Division of application No. 29/637,718, filed on Feb. 21, 2018, now Pat. No. Des. 888,897.
 (51) **LOC (12) Cl.** **23-01**
 (52) **U.S. Cl.**
 USPC **D23/254**
 (58) **Field of Classification Search**
 USPC D23/238–243, 250, 252–254;
 D8/307–308, 310, 352
 CPC . E03C 1/02; E03C 1/04; E03C 1/0408; E03C
 1/042; E03C 1/0409; E03C 2001/0414;
 E03C 1/0412
 See application file for complete search history.

(56) **References Cited**

U.S. PATENT DOCUMENTS

D110,995 S 8/1938 Bellem, Jr.
 D127,734 S 6/1941 Dreyfuss
 D311,438 S 10/1990 Strignano
 D331,099 S 11/1992 Gottwald
 D441,844 S 5/2001 Fleischmann
 D441,845 S 5/2001 Fleischmann
 D462,421 S 9/2002 Hundley

Primary Examiner — Robert A Delehanty

(74) *Attorney, Agent, or Firm* — Foley & Lardner LLP

(57) **CLAIM**

We claim the ornamental design for a shower handle assembly, as shown and described.

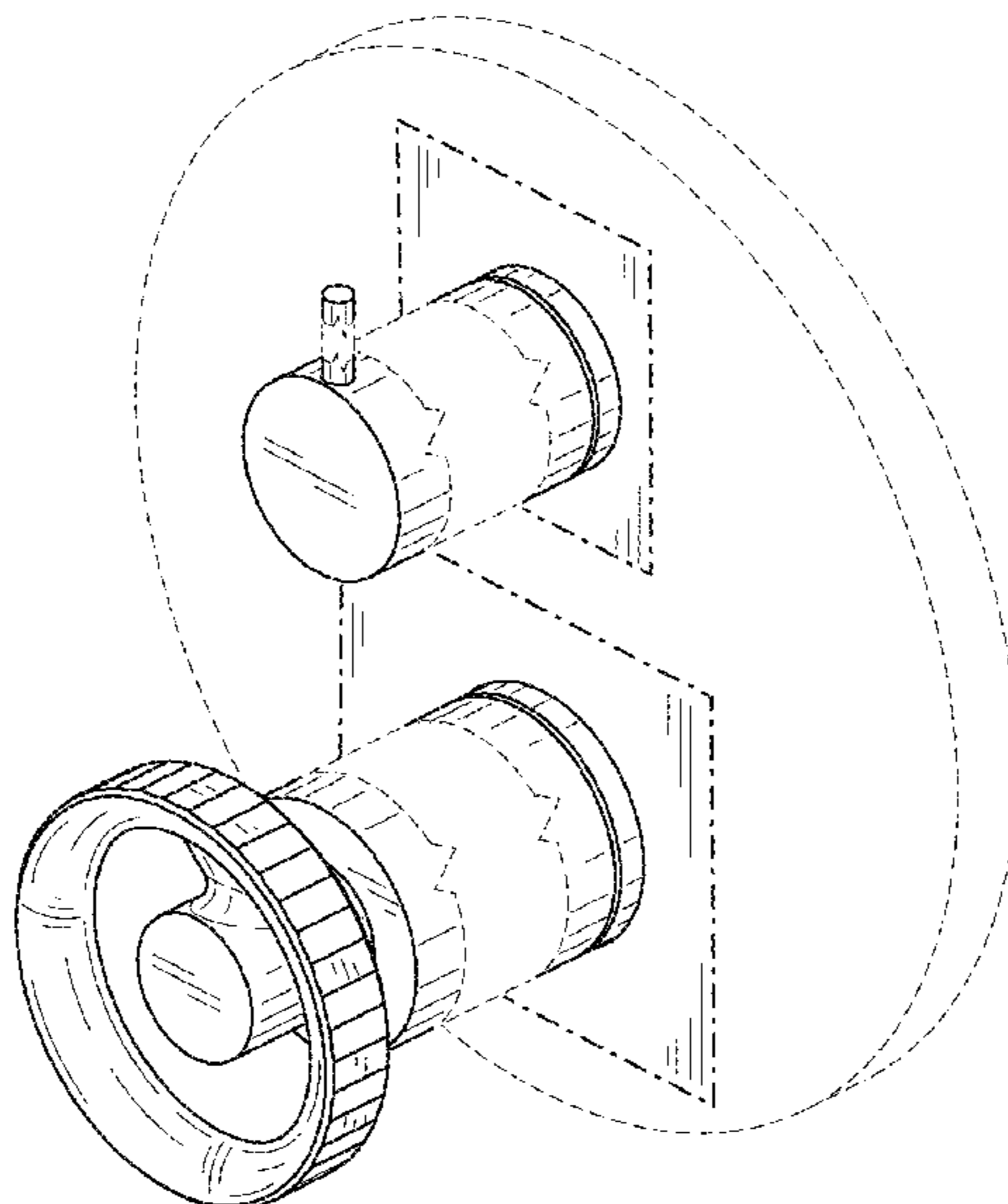
DESCRIPTION

FIG. 1 is a perspective view of another embodiment of the claimed design;
 FIG. 2 is a front elevation view thereof;
 FIG. 3 is a rear elevation view thereof;
 FIG. 4 is a view thereof from the first direction;
 FIG. 5 is a view thereof from the second direction;
 FIG. 6 is a view thereof from the third direction; and,
 FIG. 7 is a view thereof from the fourth direction.

The ornamental design which is claimed is shown in solid lines in the drawings. The broken lines in the drawings are for illustrative purposes only and form no part of the claimed design. Broken lines formed by equal length dashes show unclaimed subject matter. Broken lines formed by unequal length dashes (i.e., dash-dot) define bounds of the claimed design. Broken away symbols having a jagged element show that no particular length of the portion is claimed.

The appearance of any portion of the article between the broken away symbols forms no part of the claimed design.

1 Claim, 5 Drawing Sheets



(56)

References Cited

U.S. PATENT DOCUMENTS

D823,993 S 7/2018 Soulier et al.
D862,662 S 10/2019 Kulig

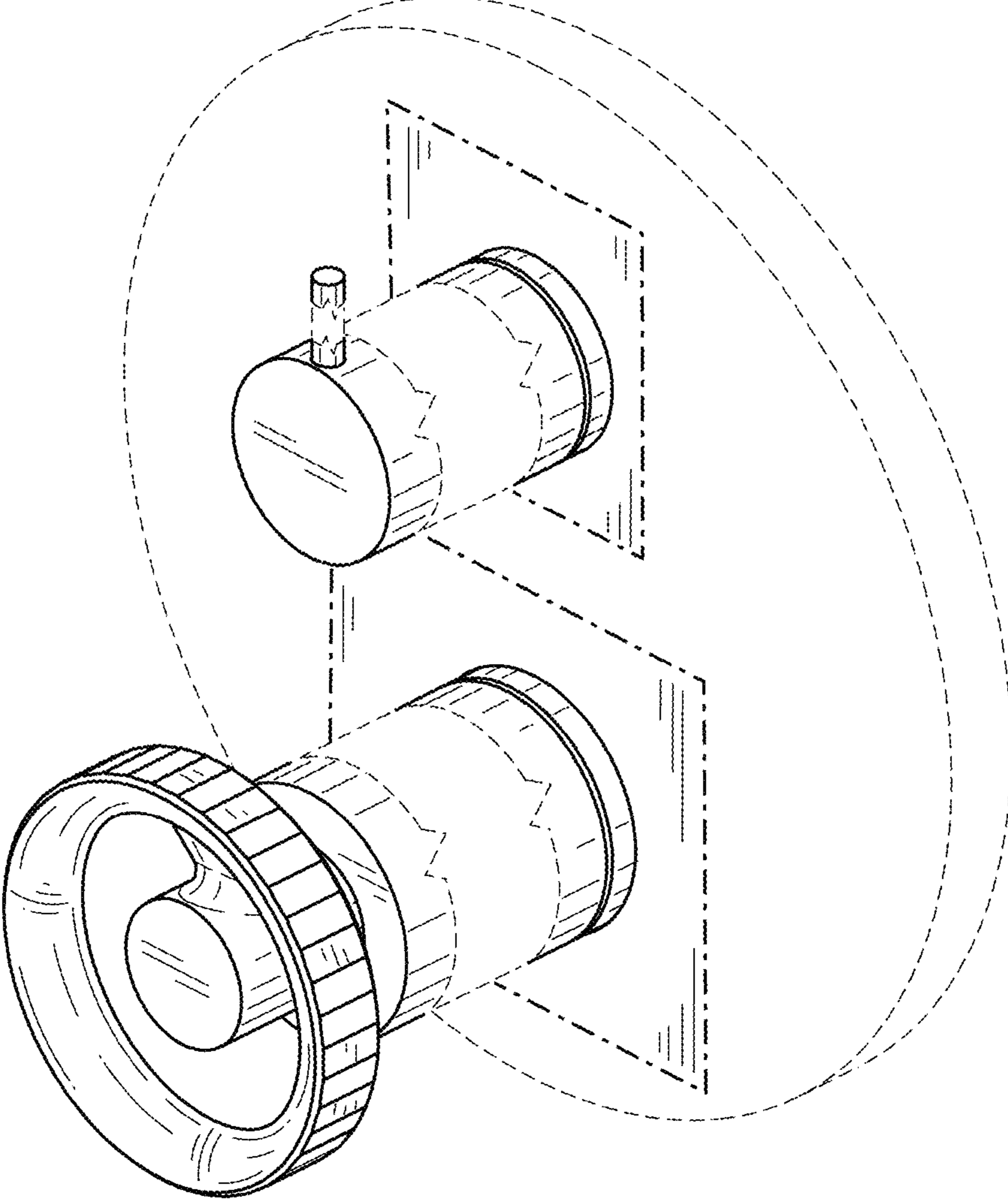


FIG. 1

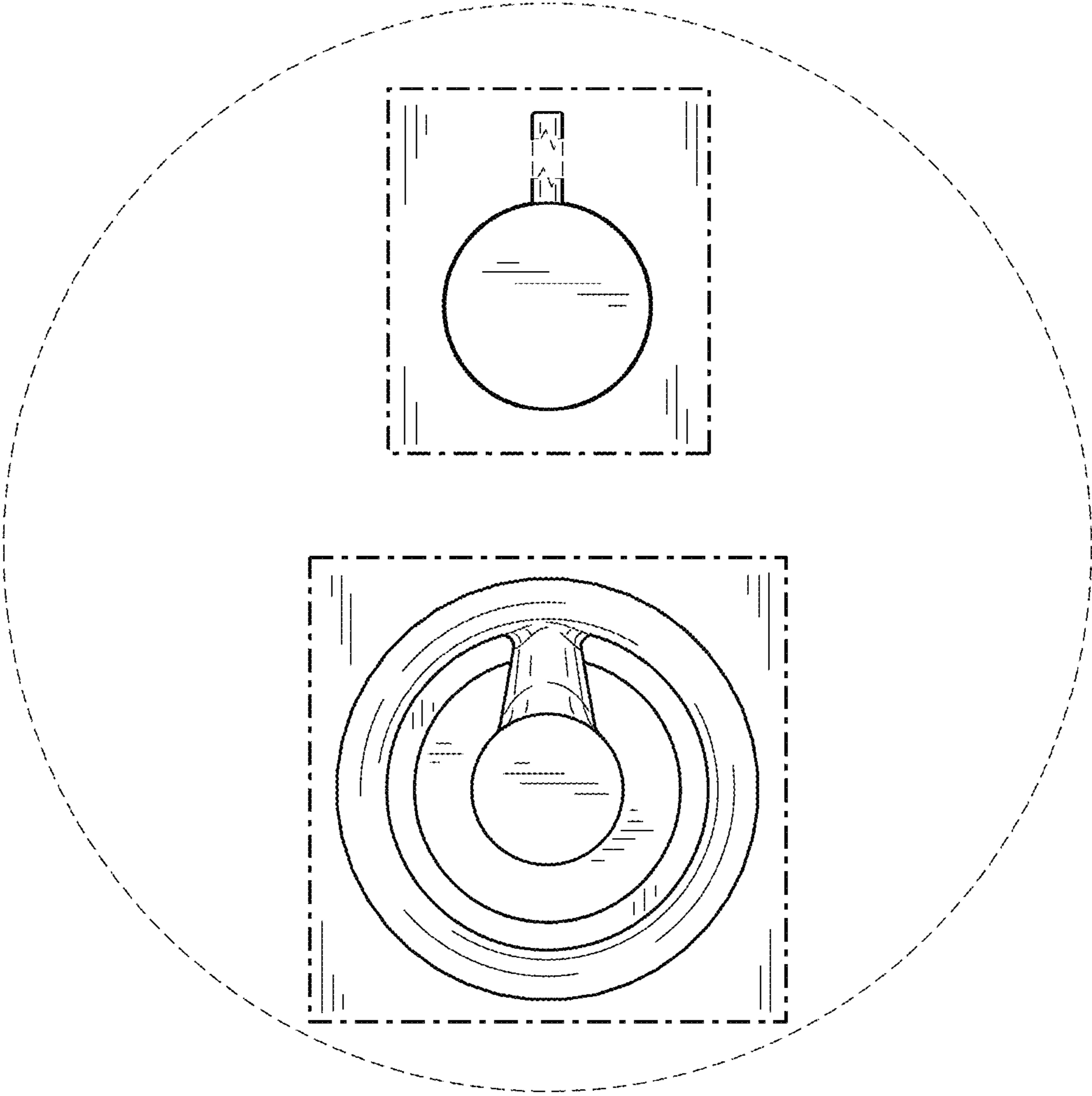


FIG. 2

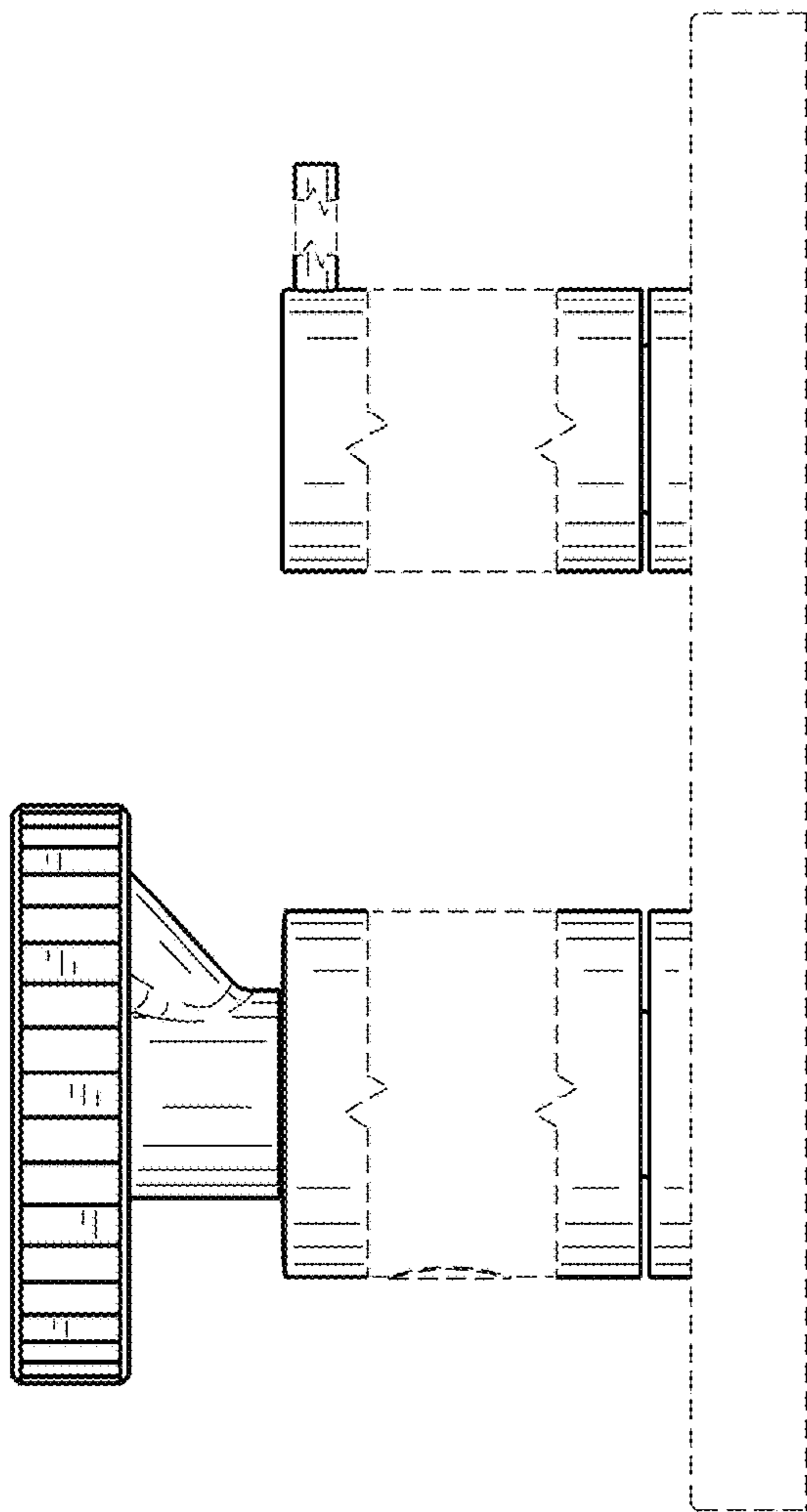


FIG. 3

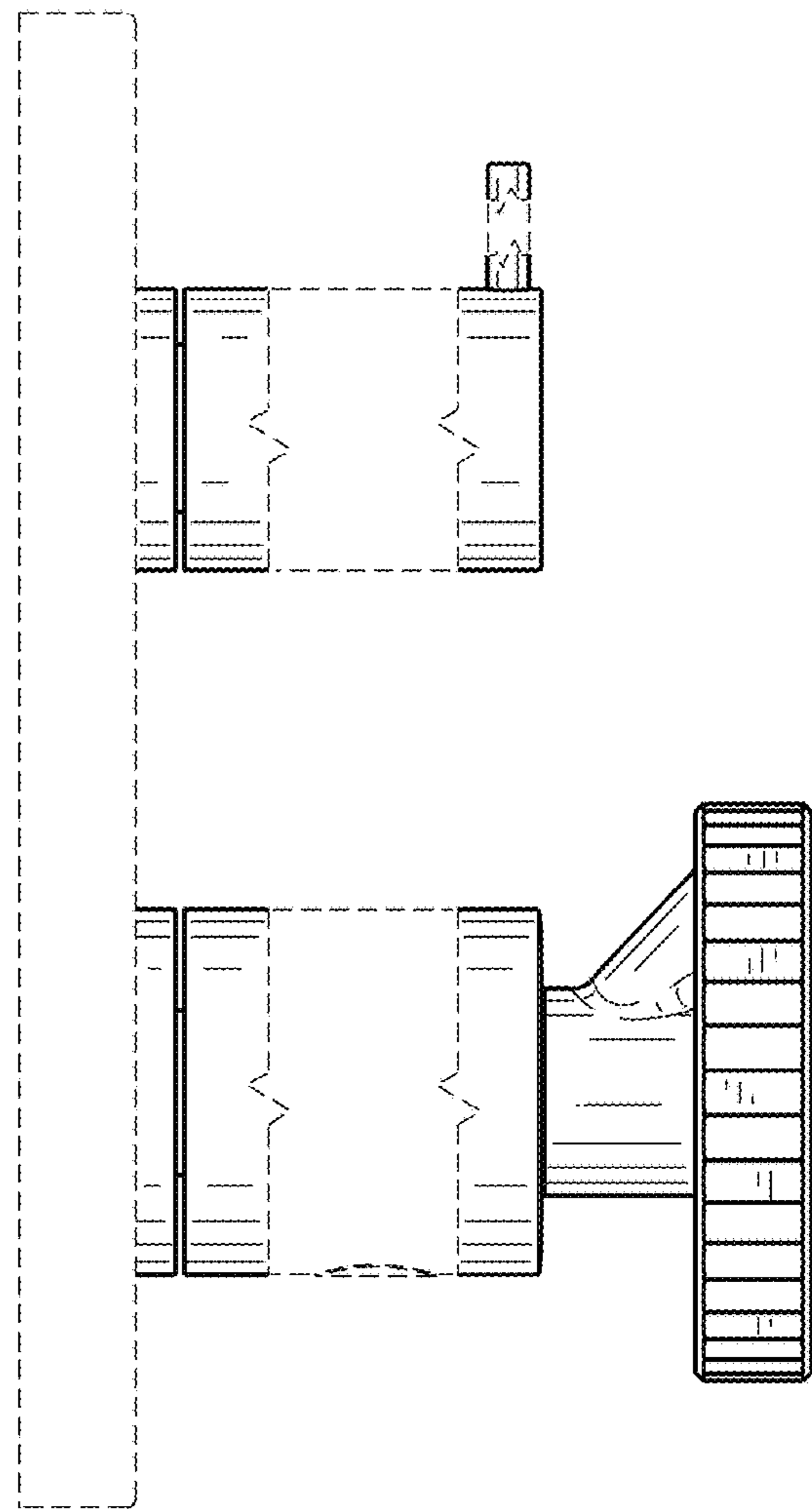


FIG. 4

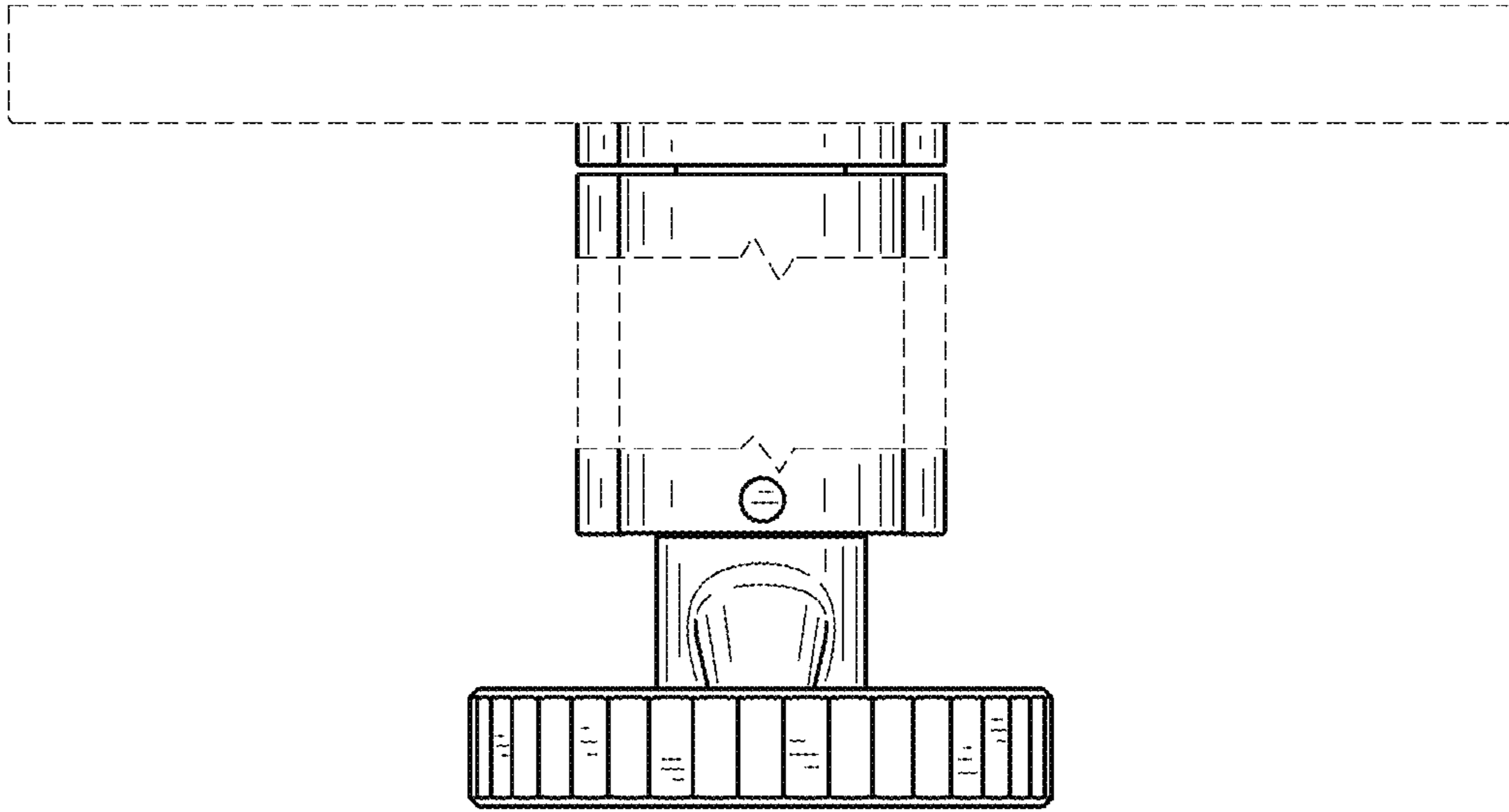


FIG. 5

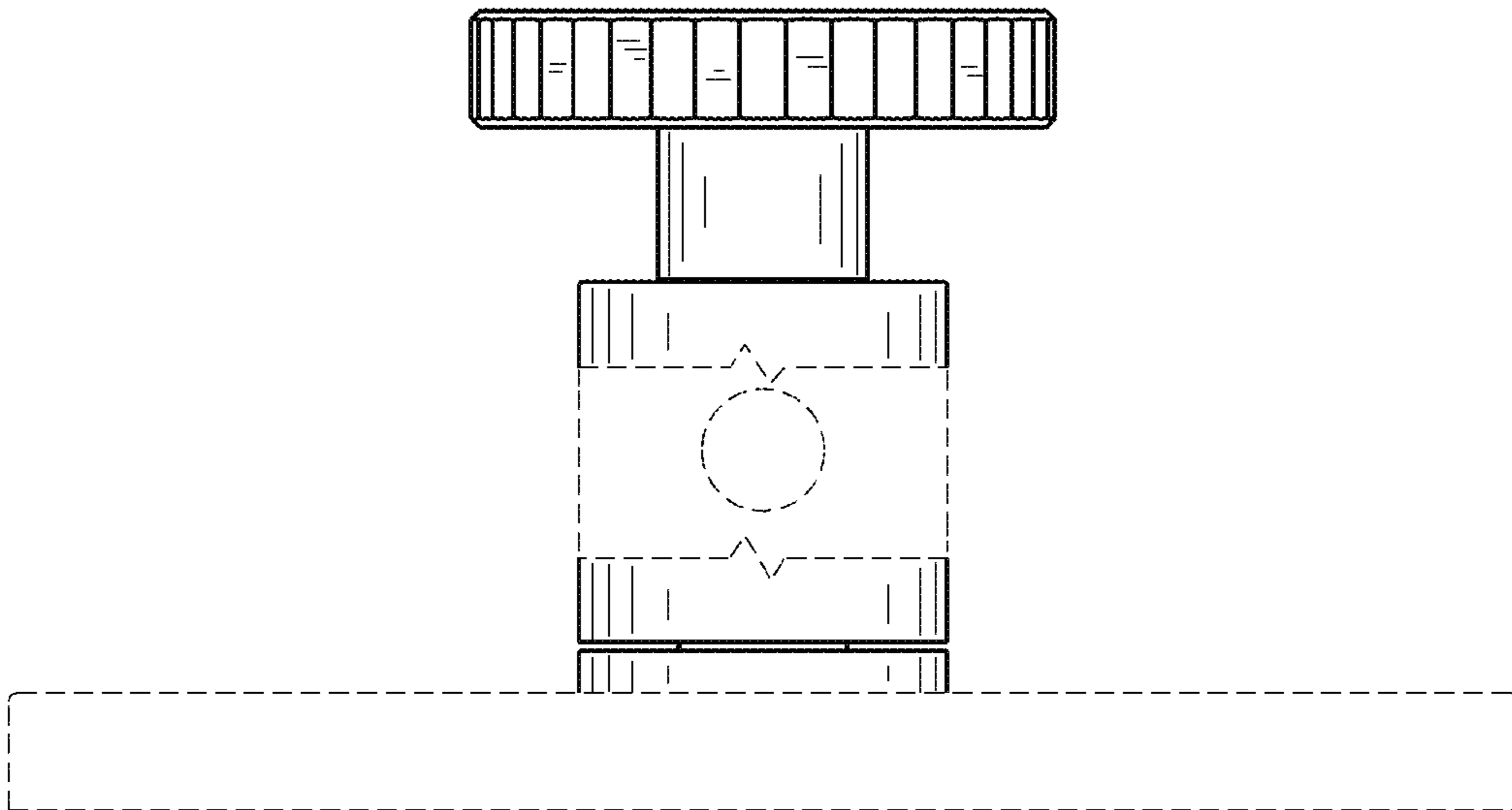


FIG. 6

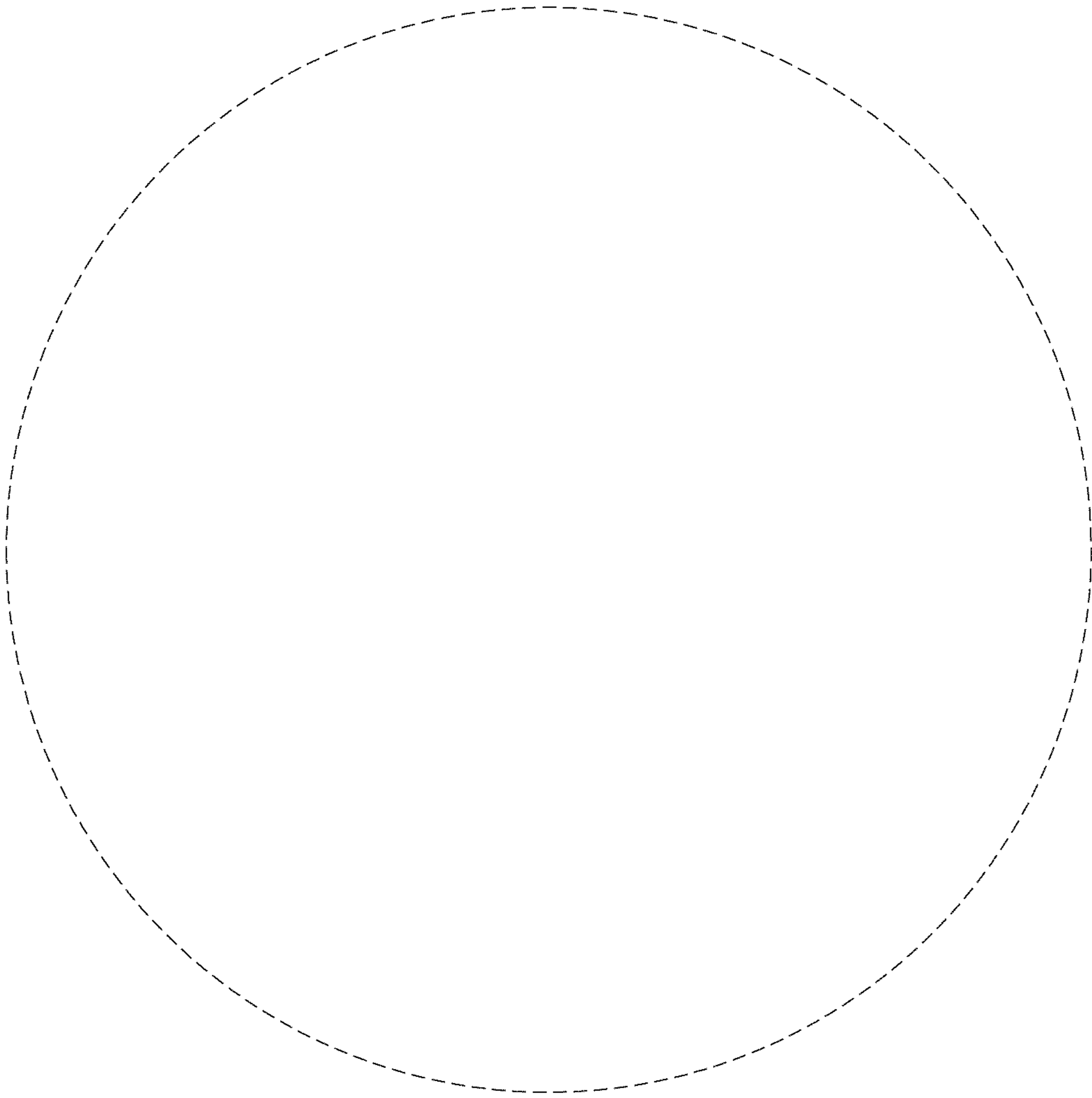


FIG. 7