



US00D900975S

(12) **United States Design Patent** (10) **Patent No.:** **US D900,975 S**
Burns (45) **Date of Patent:** **** Nov. 3, 2020**

(54) **FAUCET**
(71) Applicant: **RELIANCE WORLDWIDE CORPORATION**, Atlanta, GA (US)
(72) Inventor: **William J. Burns**, Dandenong South Vic (AU)
(73) Assignee: **Reliance Worldwide Corporation**, Atlanta, GA (US)

1,939,911 A 12/1933 McCune
2,210,375 A 8/1940 Mueller
2,887,295 A 5/1959 Bredtschneider
(Continued)

FOREIGN PATENT DOCUMENTS

CN 204277132 U 4/2015
WO WO-2015/125386 A1 8/2015

OTHER PUBLICATIONS

International Search Report and Written Opinion for PCT/US2018/065661 dated Mar. 22, 2019 (10 pages).
(Continued)

Primary Examiner — Robert A Delehanty
(74) *Attorney, Agent, or Firm* — Foley & Lardner LLP

(**) Term: **15 Years**
(21) Appl. No.: **29/710,473**
(22) Filed: **Oct. 23, 2019**

Related U.S. Application Data

(63) Continuation of application No. 15/843,186, filed on Dec. 15, 2017.
(51) **LOC (12) Cl.** **23-01**
(52) **U.S. Cl.**
USPC **D23/252**
(58) **Field of Classification Search**
USPC D23/238–243, 249, 255, 257, 245;
D7/313, 398; D8/352
CPC . Y10T 137/9464; E03C 1/0404; E03C 1/021;
F16K 1/041; F16K 1/06; F16K 1/02;
F16K 1/48; F16K 1/482; F16K 1/485;
F16K 11/487; F16K 27/02; F16K 1/08;
F16K 1/10; B21K 1/20; B21K 1/241
See application file for complete search history.

(57) **CLAIM**

I claim the ornamental design for a faucet, as shown and described.

DESCRIPTION

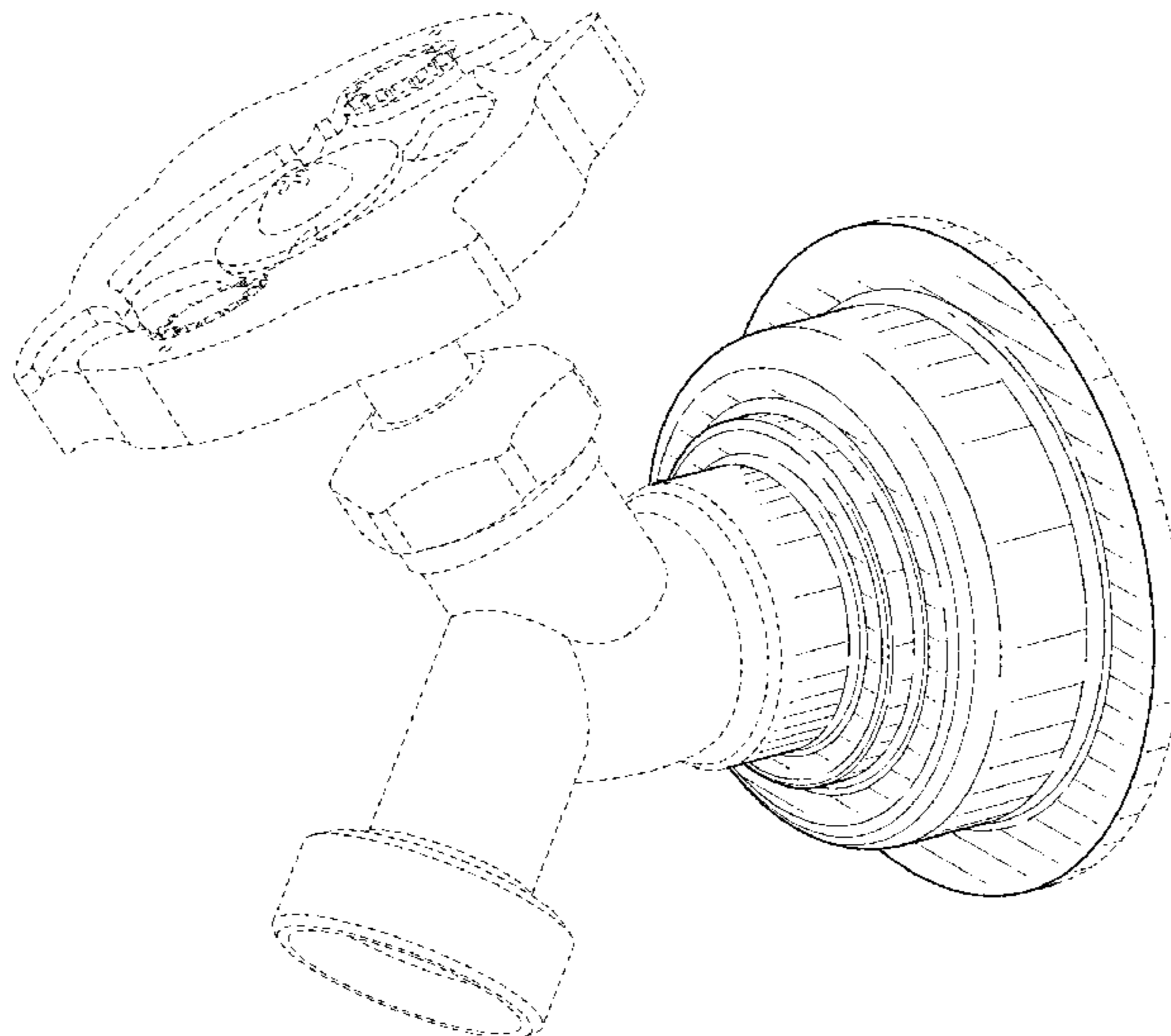
FIG. 1 is a perspective view of the claimed design;
FIG. 2 is a front view thereof;
FIG. 3 is a rear view thereof;
FIG. 4 is a right side view thereof;
FIG. 5 is a left side view thereof;
FIG. 6 is a bottom view thereof; and,
FIG. 7 is a top view thereof.
The ornamental design that is claimed is shown in solid lines in the figures. Broken lines of equal or substantially equal length dashes in the drawings are for illustrative purposes only and form no part of the claimed design. Broken lines formed by equal length dashes show unclaimed portions of the design. Broken lines formed of unequal length dashes (i.e. dash-dot) show boundaries between claimed and unclaimed portions of the design. Broken lines having a jagged element show that no particular length of the portion is claimed.

(56) **References Cited**

U.S. PATENT DOCUMENTS

1,115,696 A 11/1914 Linbarger
1,214,220 A 1/1917 Regar
D52,919 S * 1/1919 Mittinger D23/238
1,482,484 A 2/1924 Roberts
1,878,288 A 9/1932 Mohr
1,878,569 A 9/1932 Zolleis

1 Claim, 4 Drawing Sheets



(56)

References Cited

U.S. PATENT DOCUMENTS

2,997,054 A 8/1961 Woodford
 D205,438 S * 8/1966 Hansen D7/398
 3,414,001 A * 12/1968 Woodford F16K 24/02
 137/216
 D223,647 S * 5/1972 Cornelius D7/398
 3,711,063 A 1/1973 Gibbs et al.
 4,244,556 A 1/1981 Miller
 4,523,740 A 6/1985 Paitchell
 4,722,558 A 2/1988 Badoureaux
 4,860,784 A 8/1989 Petersen et al.
 5,174,611 A 12/1992 Byrd et al.
 5,480,122 A 1/1996 Barker
 5,482,329 A 1/1996 McCall et al.
 5,551,735 A 9/1996 Takayanagi et al.
 5,588,681 A 12/1996 Parks
 6,065,491 A 5/2000 Rider
 6,216,722 B1 * 4/2001 Solomon E03B 7/12
 137/297
 6,378,910 B1 4/2002 Maiman
 6,382,592 B1 5/2002 Kim
 6,502,364 B2 1/2003 Richardson
 D513,310 S * 12/2005 Kulig D23/241
 7,409,964 B2 8/2008 Hoepfner, III
 7,530,606 B1 5/2009 Yang
 7,942,161 B2 5/2011 Crompton
 8,272,396 B2 9/2012 Brienza
 8,469,337 B1 6/2013 Hoepfner, III
 8,491,012 B2 7/2013 Lequere
 9,228,681 B2 1/2016 Kluss
 10,072,783 B2 9/2018 Gledhill et al.
 D830,122 S * 10/2018 Seiders D7/398
 10,214,883 B2 2/2019 Chapla

D861,834 S * 10/2019 Foster D23/249
 D873,967 S * 1/2020 Ozburn D23/249
 D884,125 S * 5/2020 Morefield D23/249
 D887,813 S * 6/2020 Burns D8/305
 2002/0167164 A1 11/2002 Thomas et al.
 2003/0057701 A1 3/2003 Koo
 2004/0021120 A1 2/2004 Turnau, III et al.
 2008/0149873 A1 6/2008 Cimberio et al.
 2010/0072744 A1 3/2010 Xie
 2011/0025054 A1 2/2011 Kluss
 2011/0140417 A1 6/2011 Kluss et al.
 2012/0074695 A1 3/2012 Salehi-Bakhtiari
 2014/0062078 A1 3/2014 Weissmann
 2014/0182709 A1 7/2014 Janousek
 2015/0345683 A1 12/2015 Crompton et al.
 2016/0033065 A1 2/2016 Graham et al.
 2017/0307119 A1 10/2017 Taniguchi
 2017/0321827 A1 11/2017 Lee et al.
 2018/0266604 A1 9/2018 Yang
 2018/0291597 A1 10/2018 Hunt
 2019/0186642 A1 6/2019 Burns

OTHER PUBLICATIONS

Non-Final Office Action on U.S. Appl. No. 15/843,186 dated May 16, 2019 (24 pages).
 Non-Final Office Action on U.S. Appl. No. 15/843,186 dated Mar. 4, 2020 (16 pages).
 Non-Final Office Action on U.S. Appl. No. 16/663,123, dated Feb. 10, 2020 (21 pages).
 Notice of Allowance on U.S. Appl. No. 15/843,186 dated Dec. 4, 2019 (9 pages).

* cited by examiner

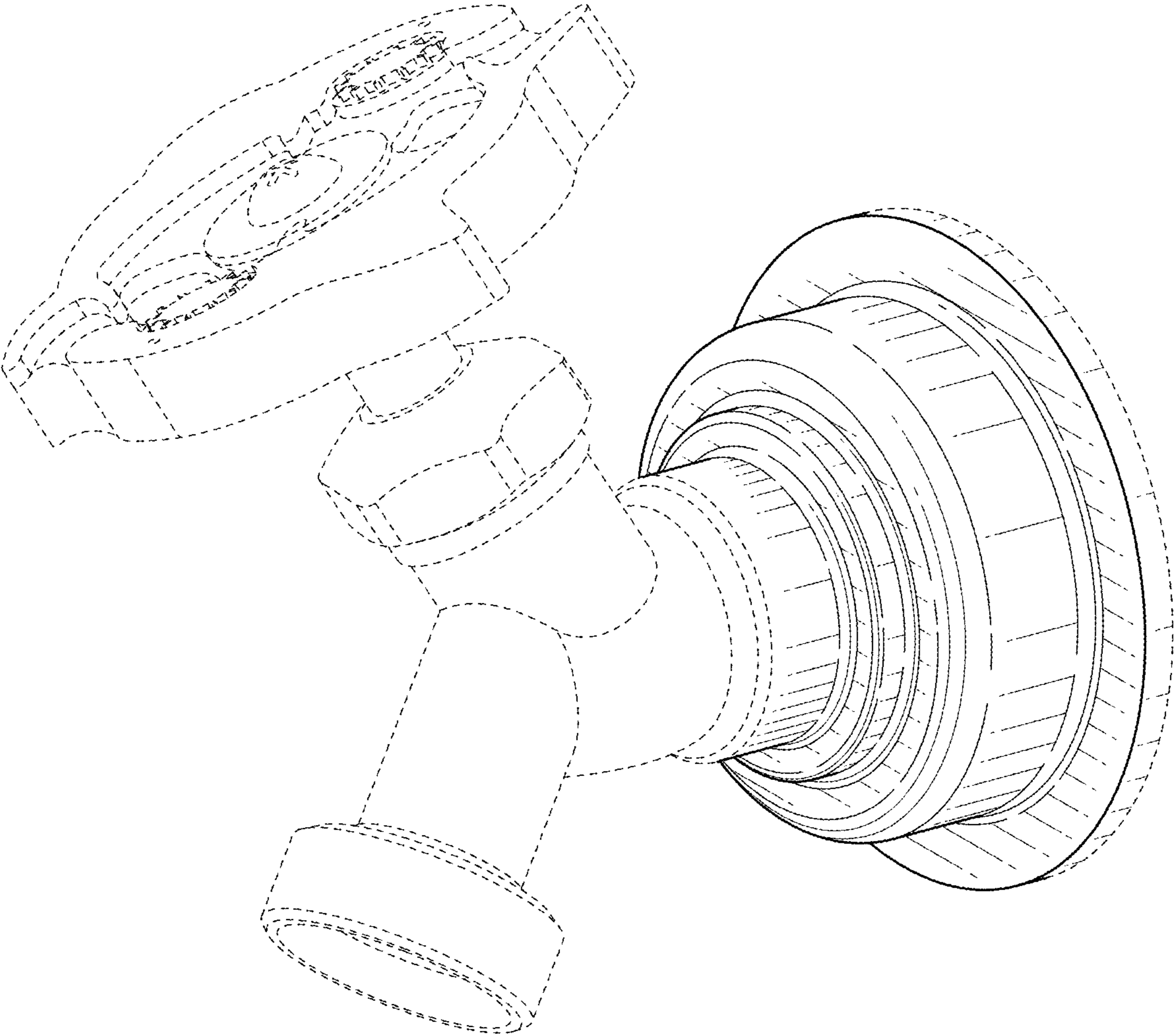


FIG. 1

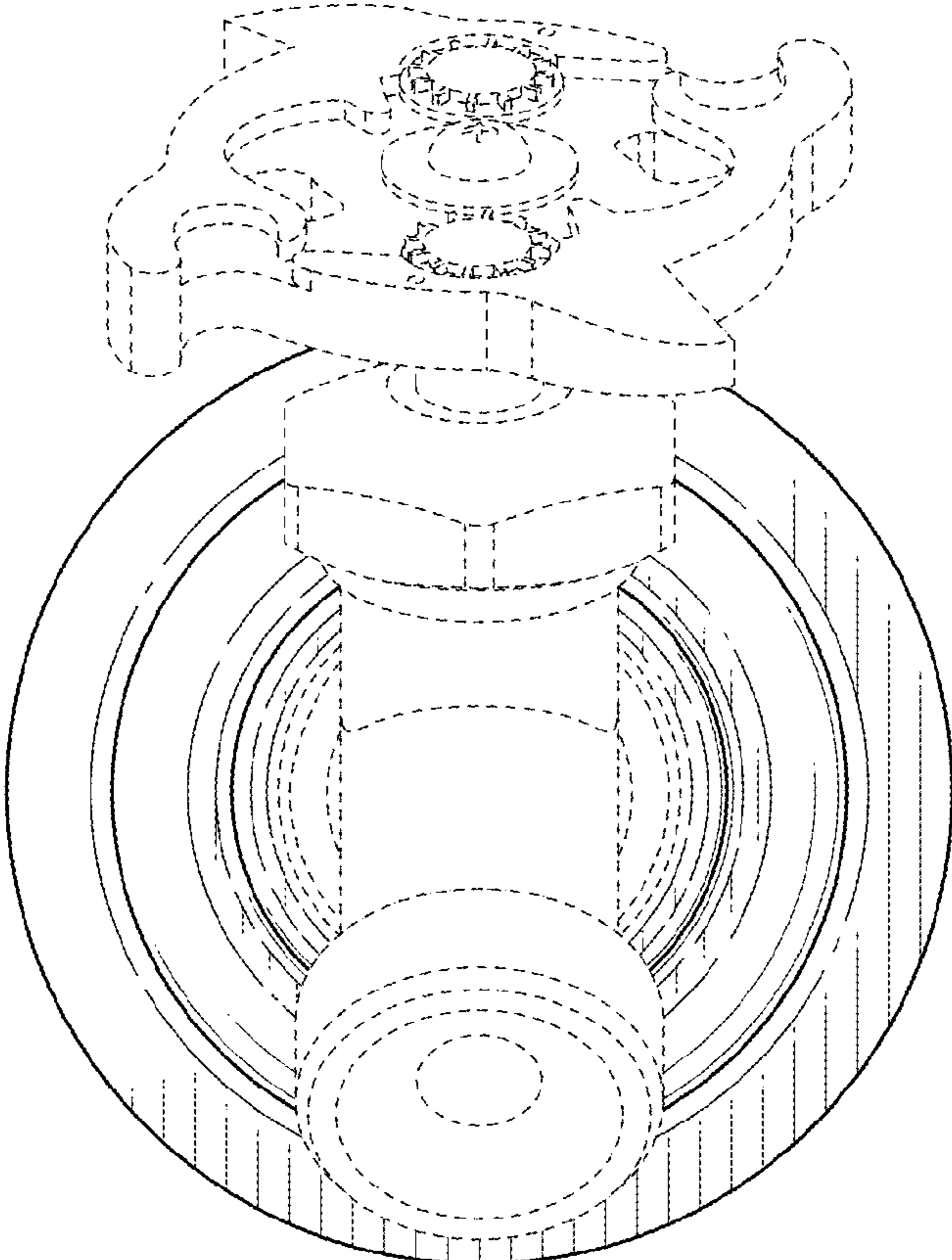


FIG. 2

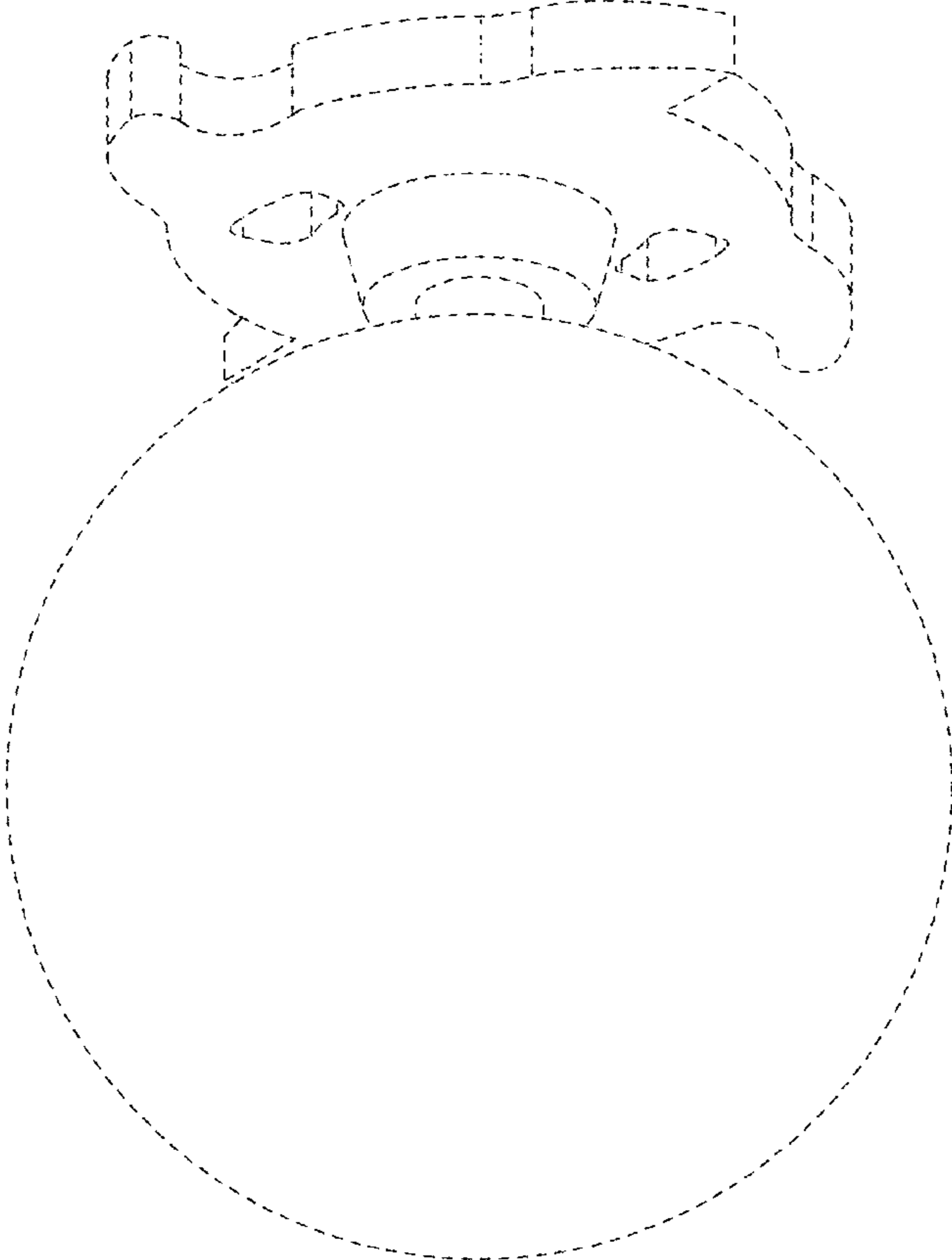


FIG. 3

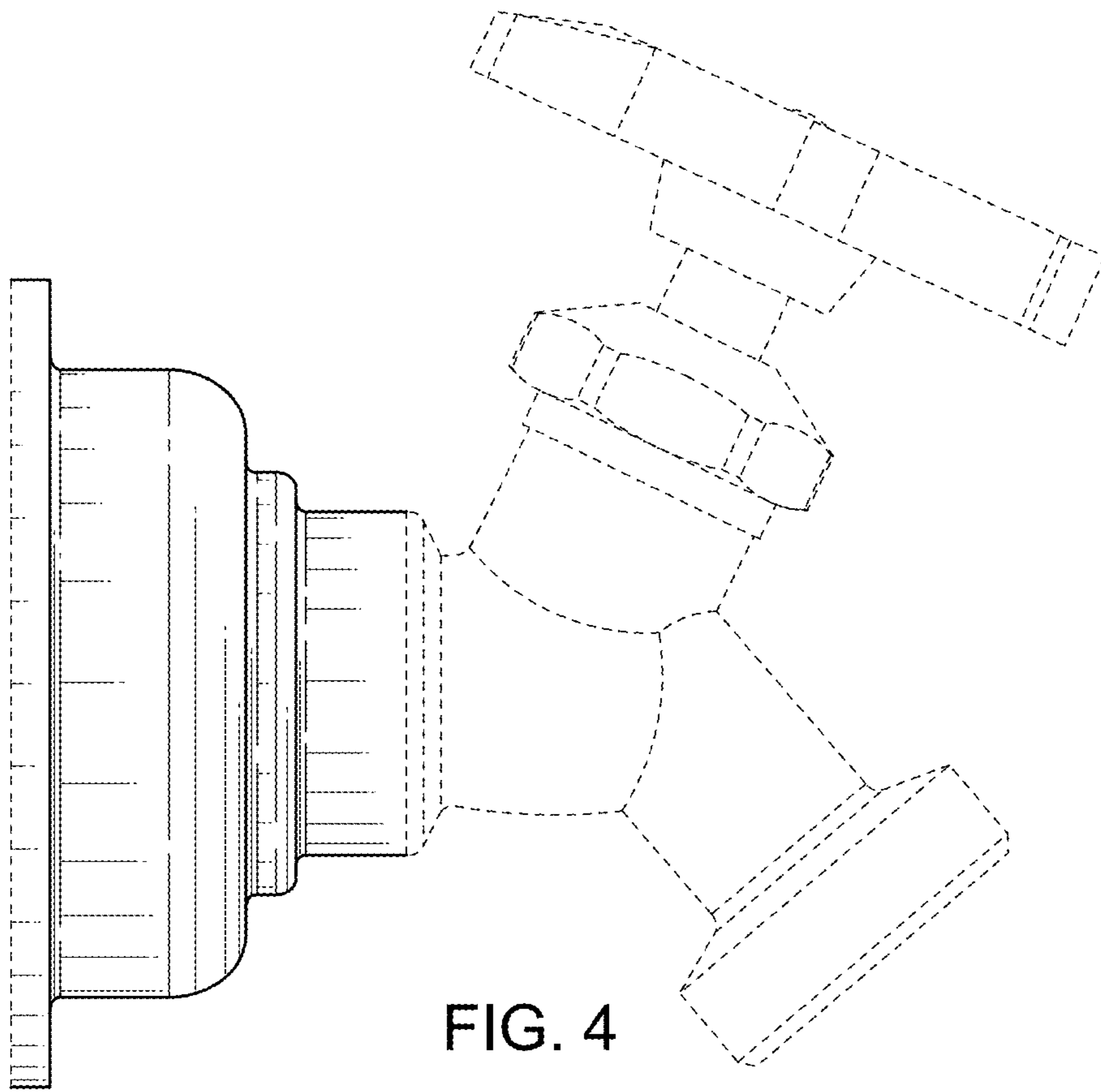


FIG. 4

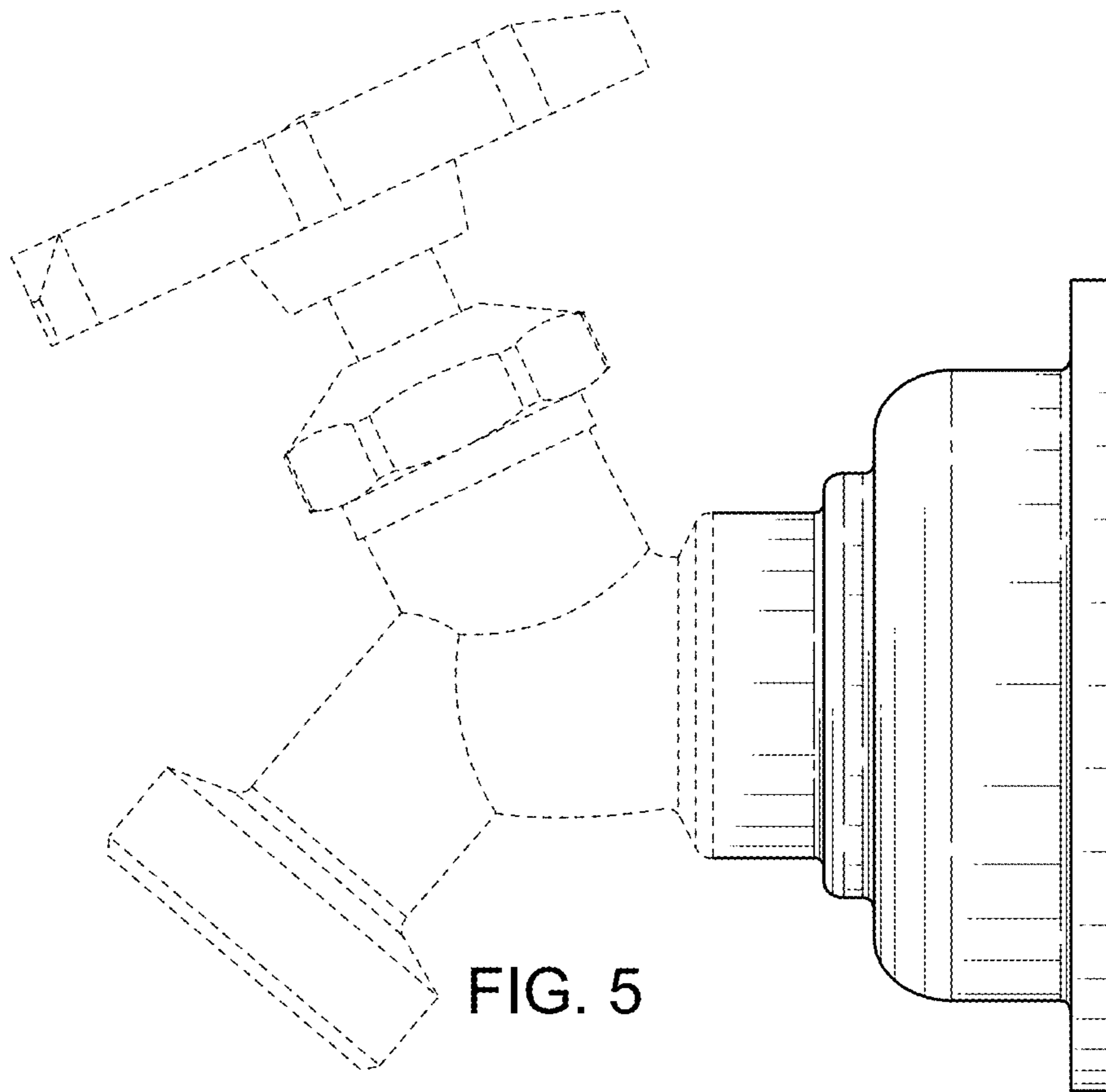


FIG. 5

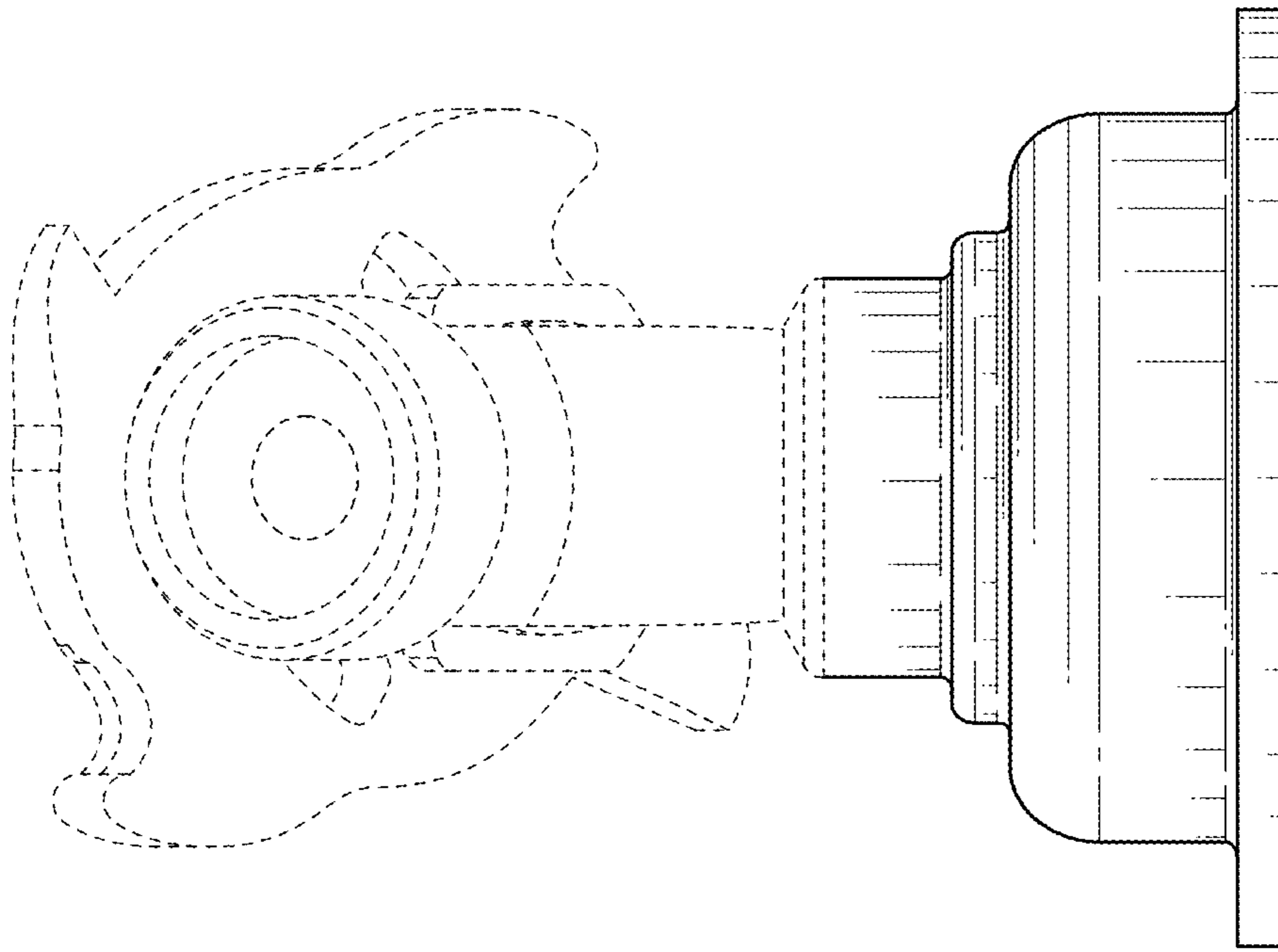


FIG. 6

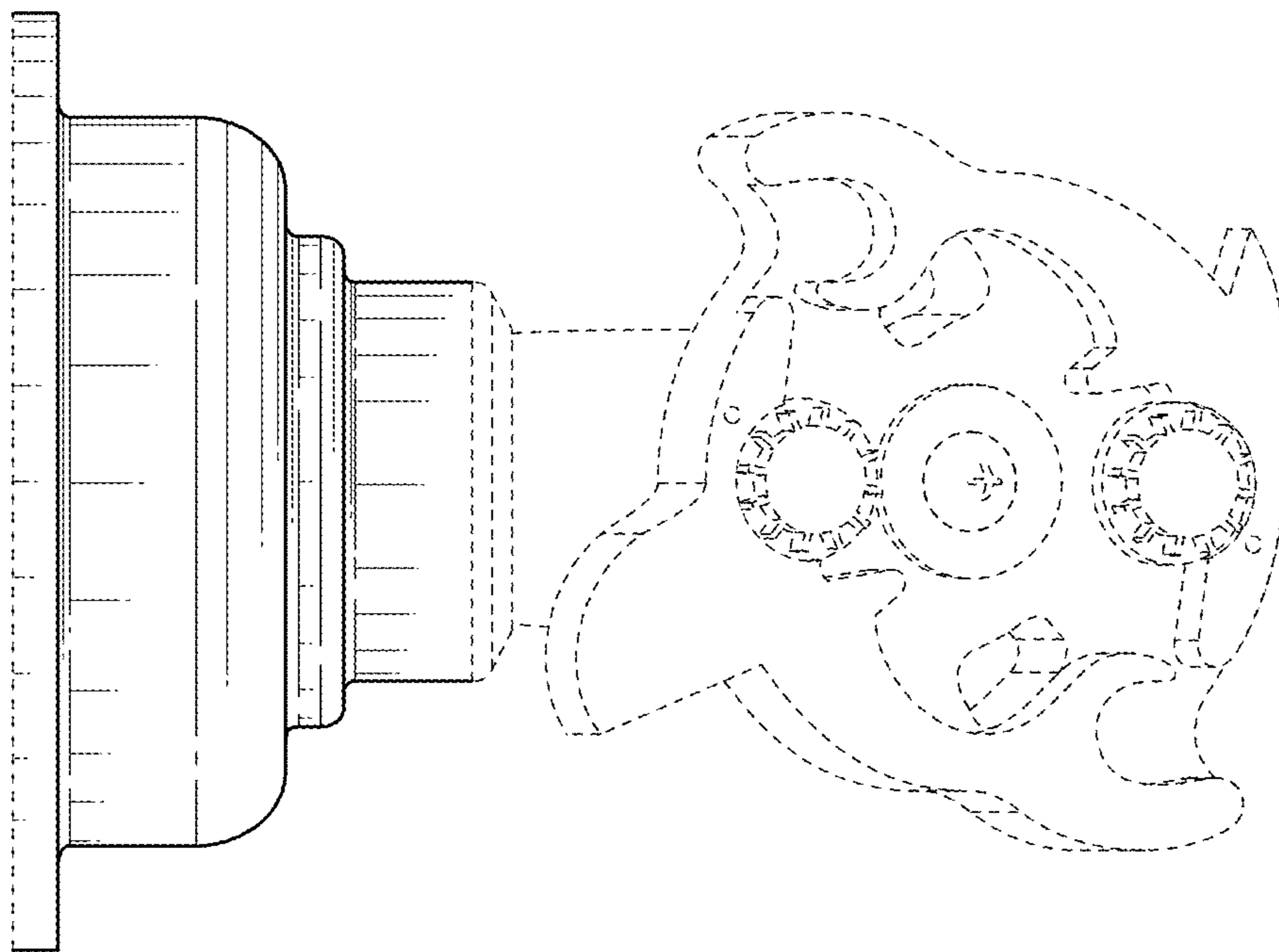


FIG. 7