



US00D900974S

(12) **United States Design Patent** (10) **Patent No.:** **US D900,974 S**  
**Whiteley et al.** (45) **Date of Patent:** **\*\* Nov. 3, 2020**

(54) **HANDLE GRIP FOR VALVES**  
(71) Applicant: **PEGLER YORKSHIRE GROUP LIMITED**, Doncaster (GB)  
(72) Inventors: **Paul Whiteley**, Doncaster (GB); **Lucas Golledge**, Doncaster (GB)  
(73) Assignee: **PEGLER YORKSHIRE GROUP LIMITED**, Doncaster (GB)

(\*\*) Term: **15 Years**

(21) Appl. No.: **29/640,263**

(22) Filed: **Mar. 13, 2018**

(30) **Foreign Application Priority Data**

Oct. 6, 2017 (EM) ..... 004389054

(51) **LOC (12) Cl.** ..... **23-01**

(52) **U.S. Cl.**  
USPC ..... **D23/252**

(58) **Field of Classification Search**  
USPC ..... D23/233-250, 252; 137/315.15, 15.18, 137/625.46, 239, 385; D8/28; 251/118, 251/109, 288  
CPC ..... F16K 31/602; F16K 31/60; F16K 35/10; F16K 31/605  
See application file for complete search history.

(56) **References Cited**

**U.S. PATENT DOCUMENTS**

D345,006 S \* 3/1994 Gallagher ..... D23/245  
7,011,291 B2 \* 3/2006 Miklo ..... F16K 31/60  
137/382  
D627,439 S \* 11/2010 Mazzacano ..... D23/252  
D627,859 S \* 11/2010 Mazzacano ..... D23/252  
8,534,321 B2 \* 9/2013 Ziv ..... A61M 39/223  
137/239  
9,702,480 B2 \* 7/2017 Hoots ..... F16K 1/2007

9,797,522 B1 \* 10/2017 Del Real ..... F16K 35/02  
D817,454 S \* 5/2018 Sato ..... D23/245  
D834,149 S \* 11/2018 Yung ..... D23/245

\* cited by examiner

*Primary Examiner* — Gino Colan  
(74) *Attorney, Agent, or Firm* — Notaro, Michalos & Zaccaria P.C.

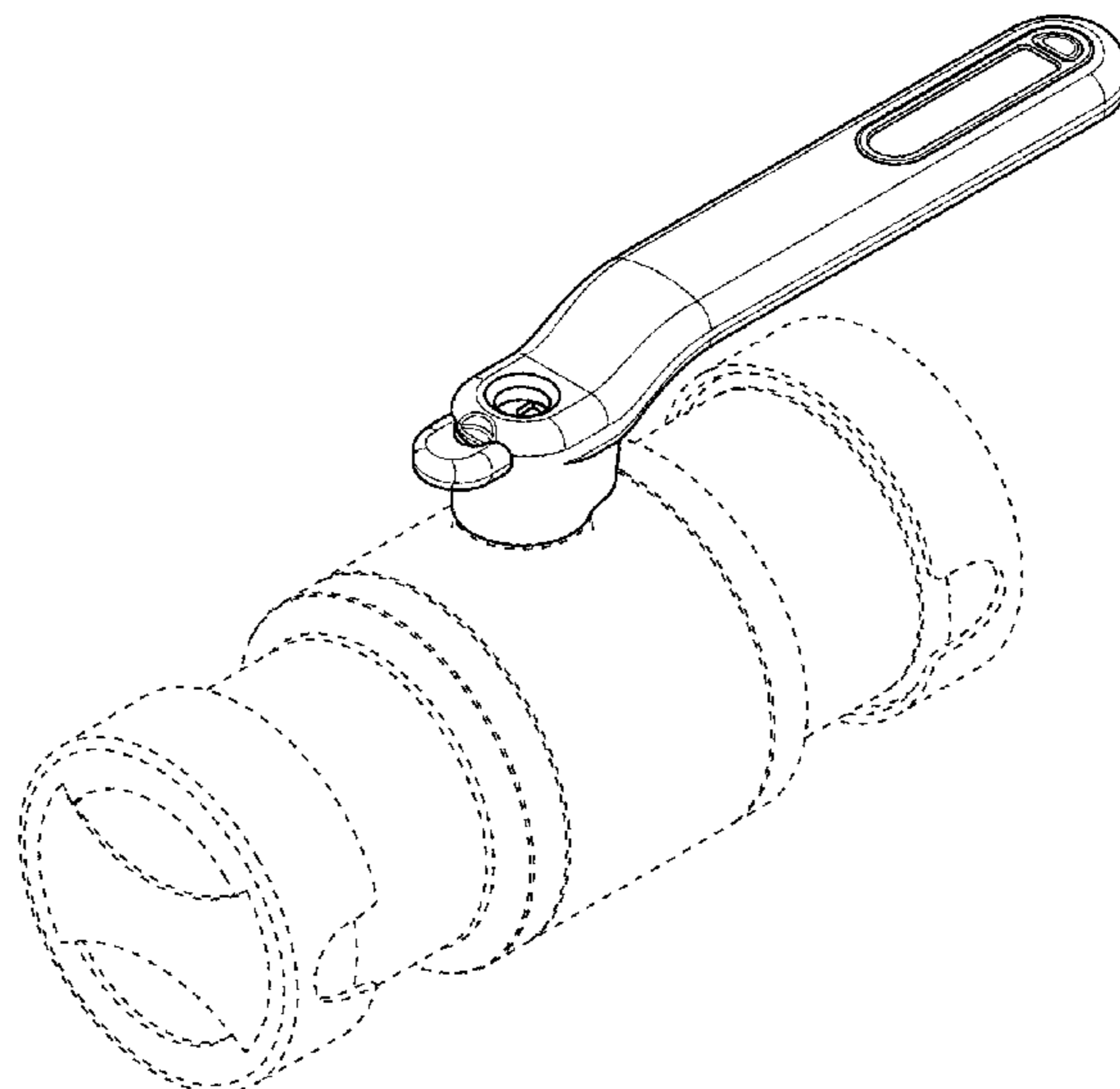
(57) **CLAIM**

The ornamental design for a handle grip for valves, as shown and described.

**DESCRIPTION**

FIG. 1 is a top, front, right perspective view of a first embodiment of a handle grip for valves showing our new design;  
FIG. 2 is another top, front, right perspective view with a component in a different position;  
FIG. 3 is a front elevational view thereof;  
FIG. 4 is a left side elevational view thereof;  
FIG. 5 is another left side elevational view with the component in the position of FIG. 2;  
FIG. 6 is a top plan view thereof;  
FIG. 7 is a top plan view thereof with the component shown in the position of FIG. 2;  
FIG. 8 is a top, front, right perspective view of a second embodiment of a handle grip showing our new design;  
FIG. 9 is another top, front, right perspective view with a component in a different position;  
FIG. 10 is a front elevational view thereof;  
FIG. 11 is a left side elevational view thereof;  
FIG. 12 is another left side elevational view with the component in the position of FIG. 9;  
FIG. 13 is a top plan view thereof; and  
FIG. 14 is a top plan view thereof with the component in the position of FIG. 9.  
The broken lines shown in the figures are for the purpose of illustrating environment which form no part of the claimed design.

**1 Claim, 14 Drawing Sheets**



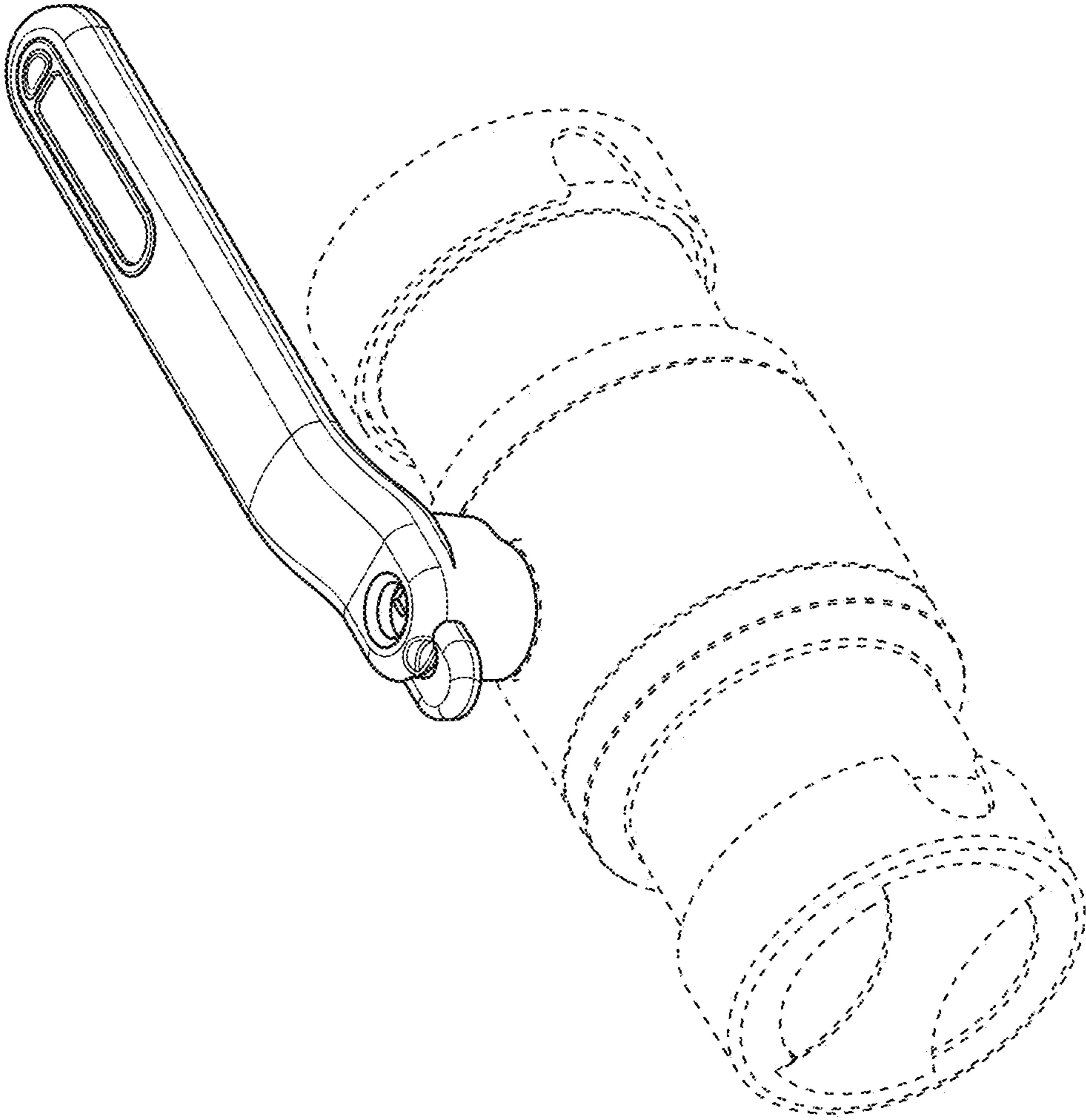


FIG. 1

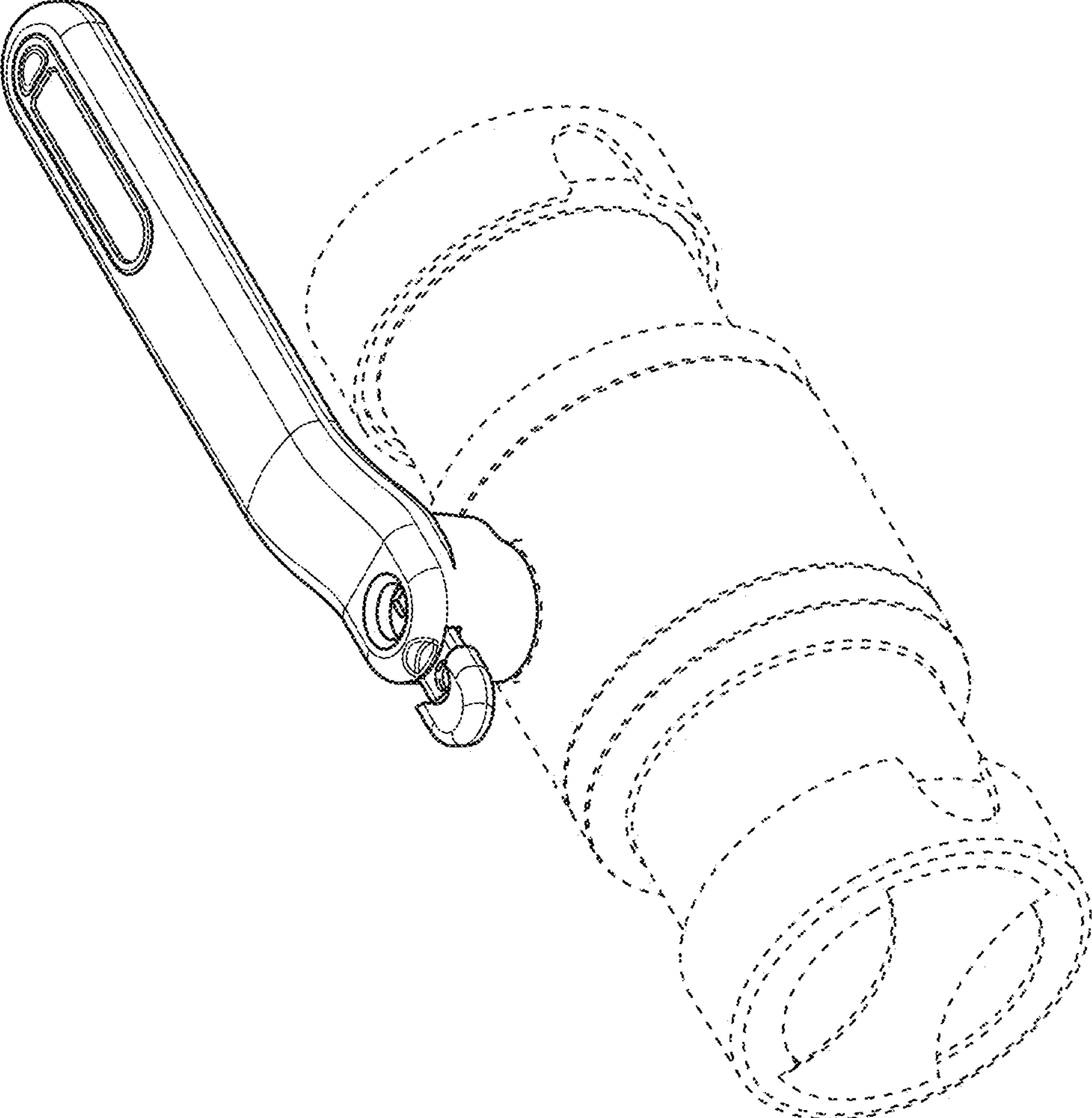


FIG. 2

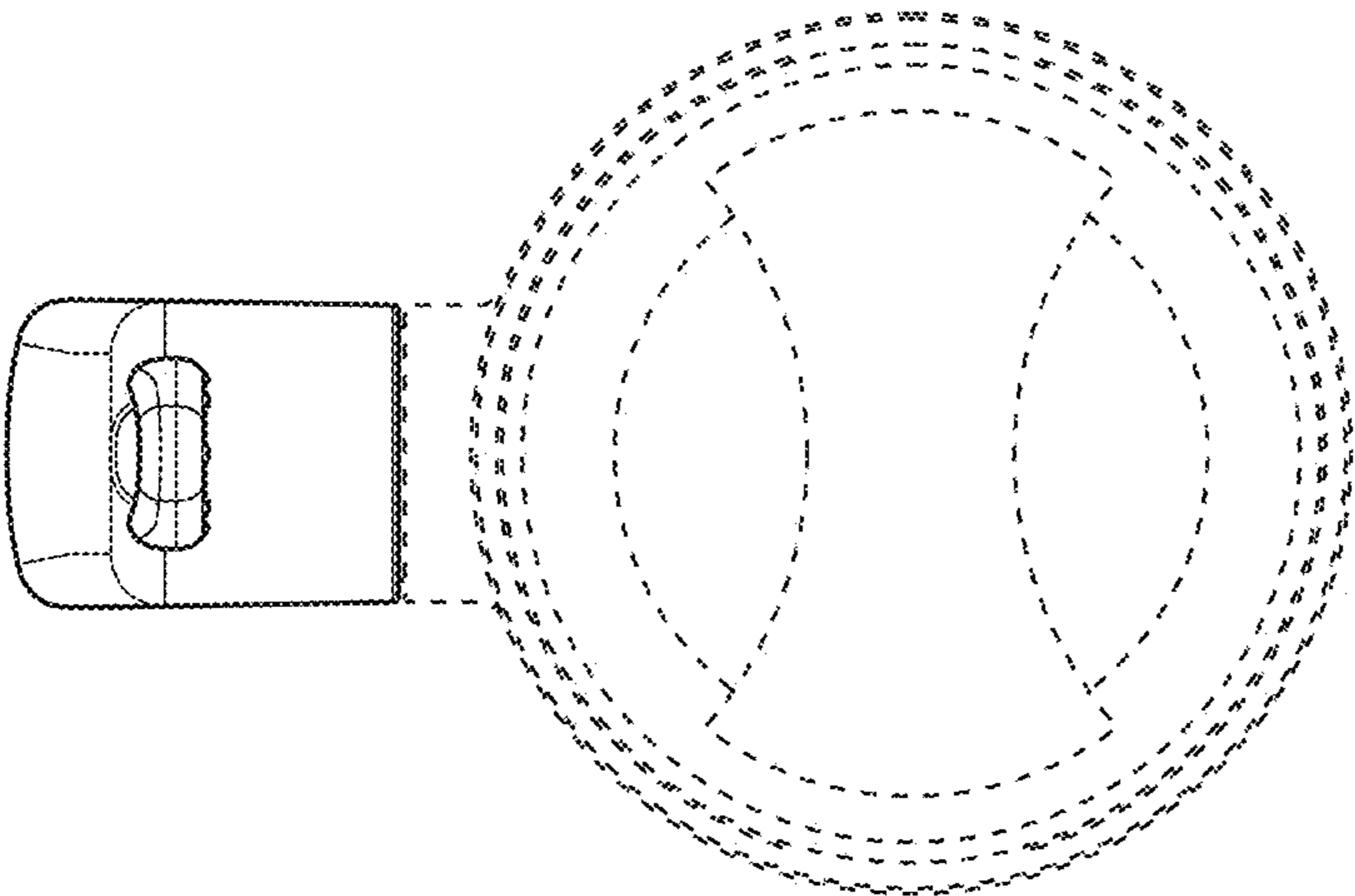


FIG. 3

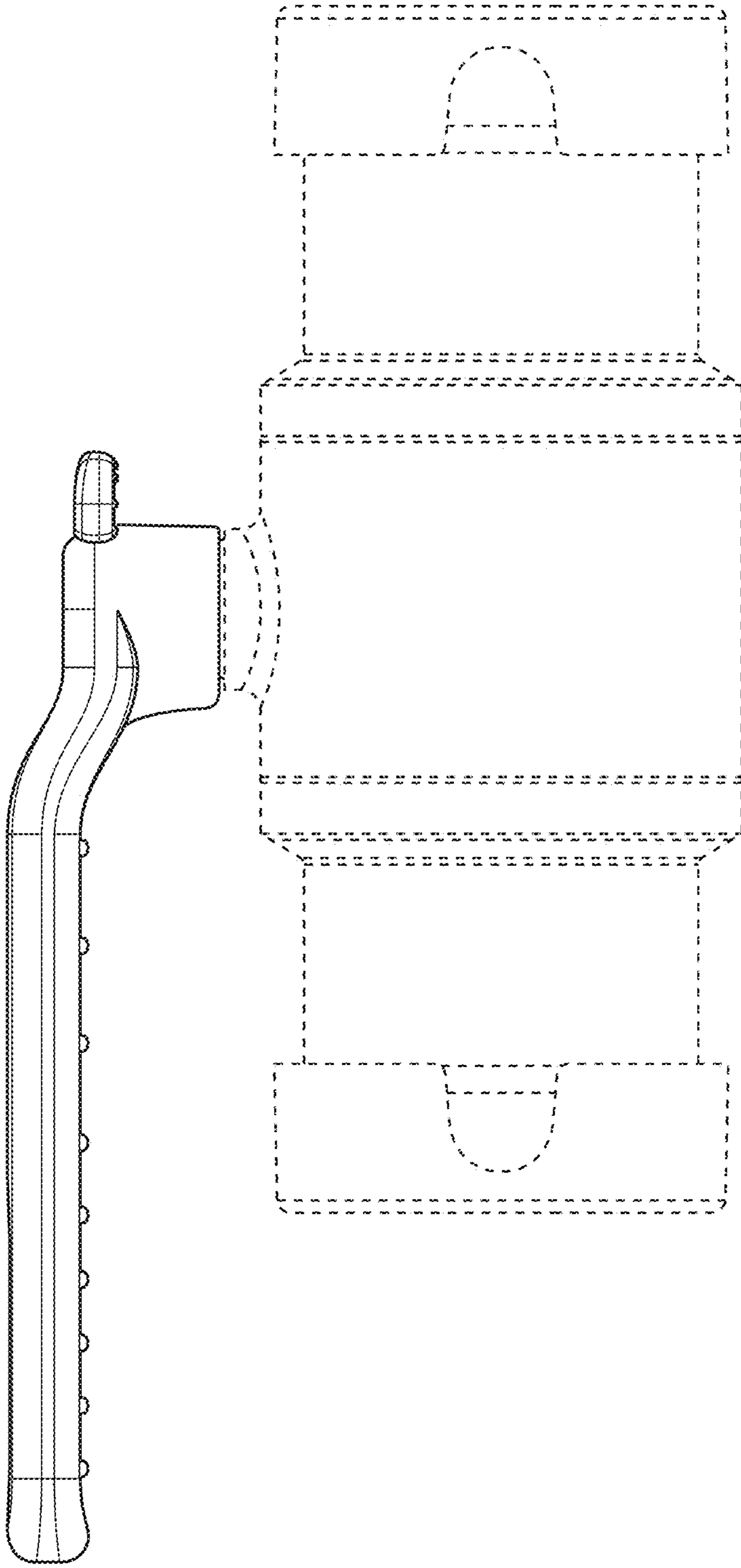


FIG. 4

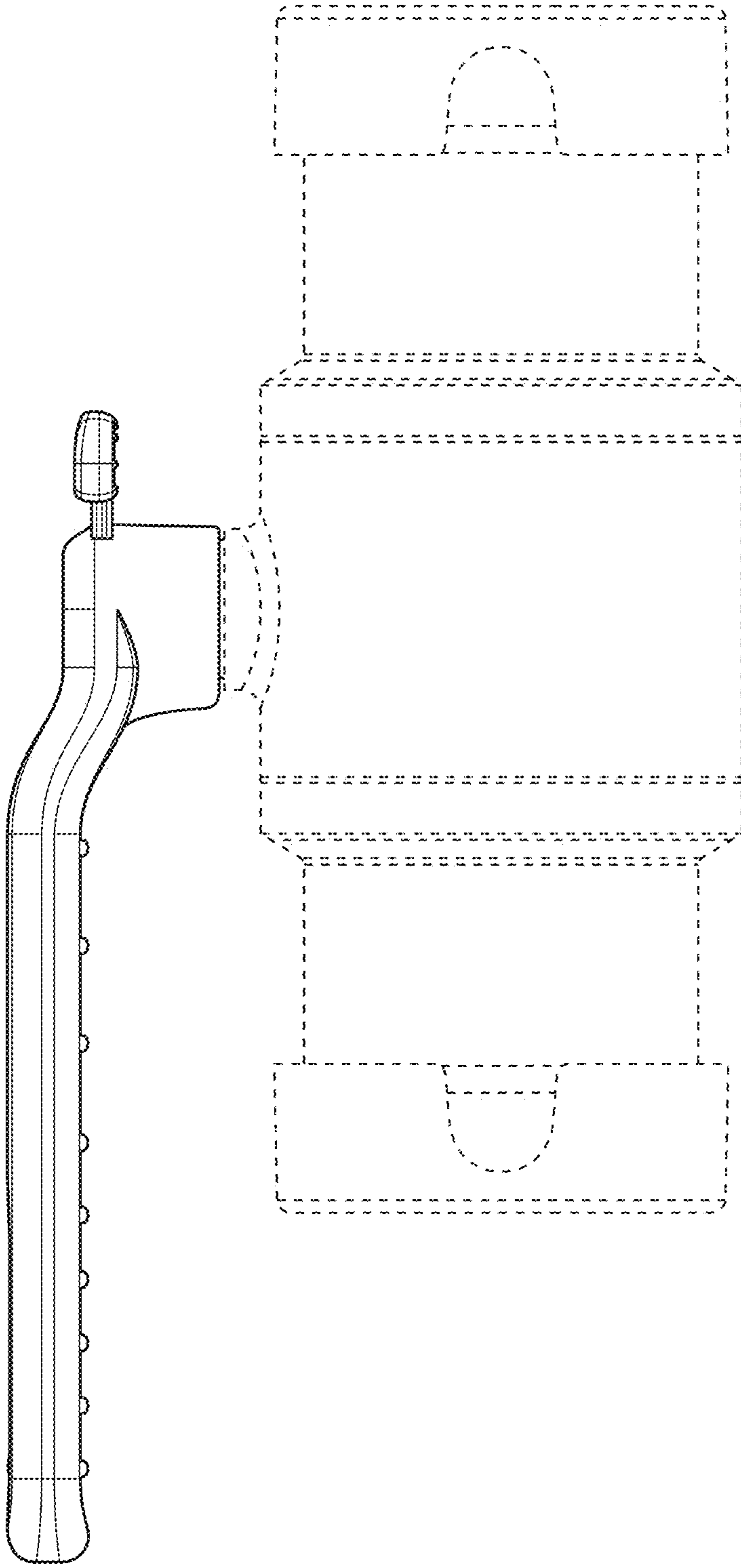


FIG. 5

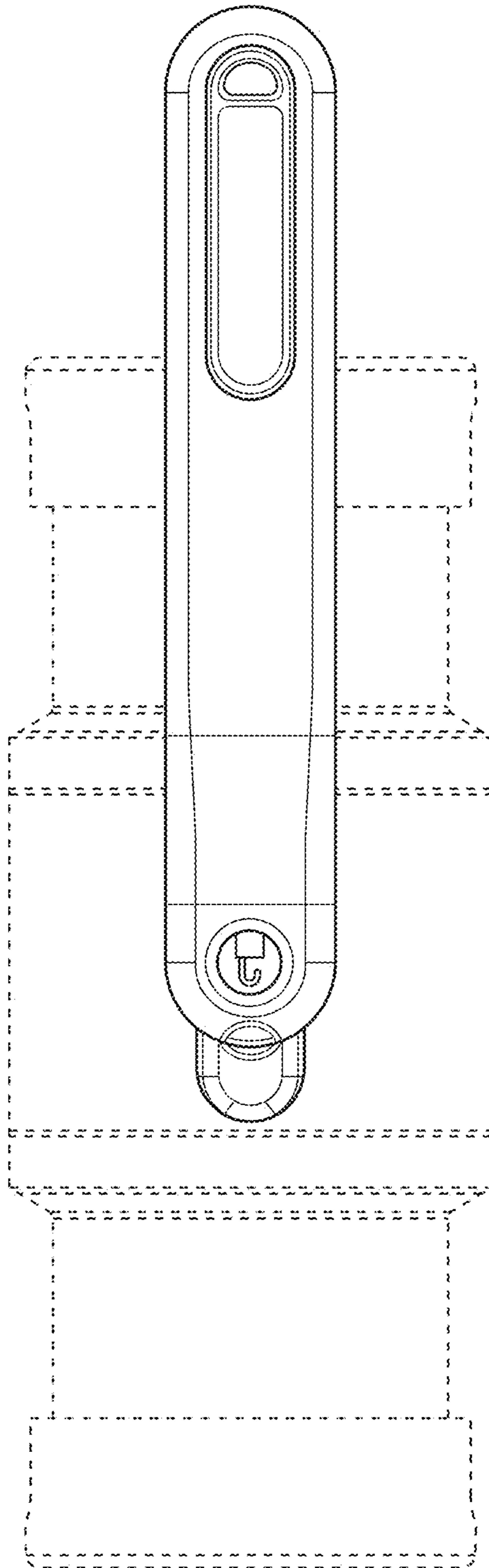


FIG. 6

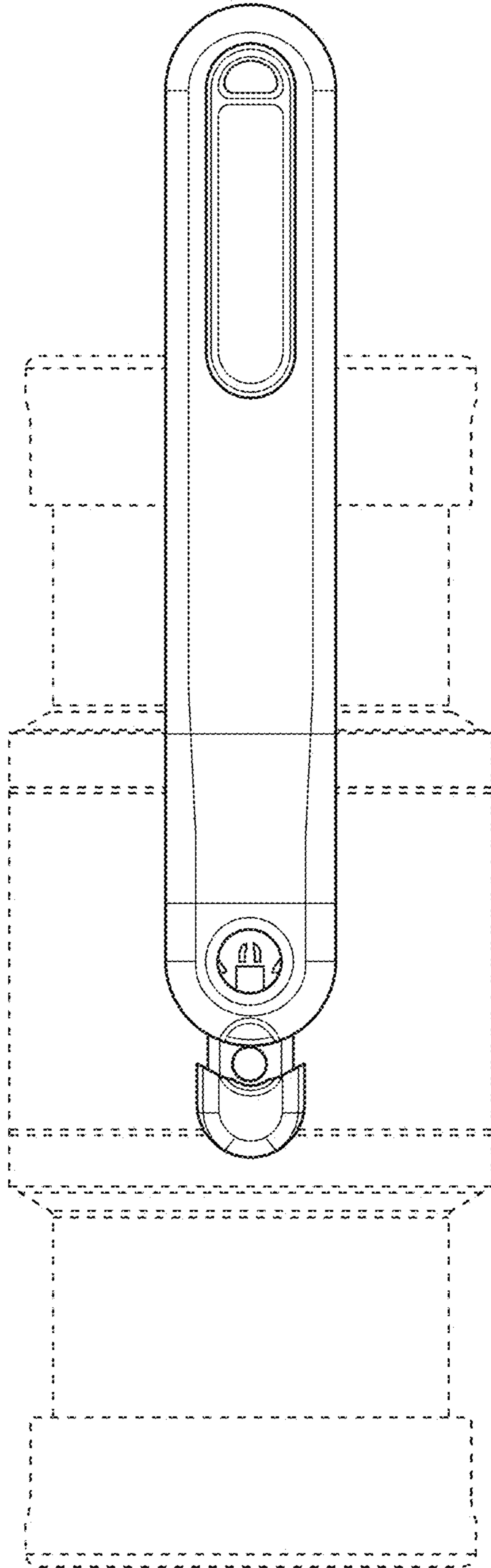


FIG. 7



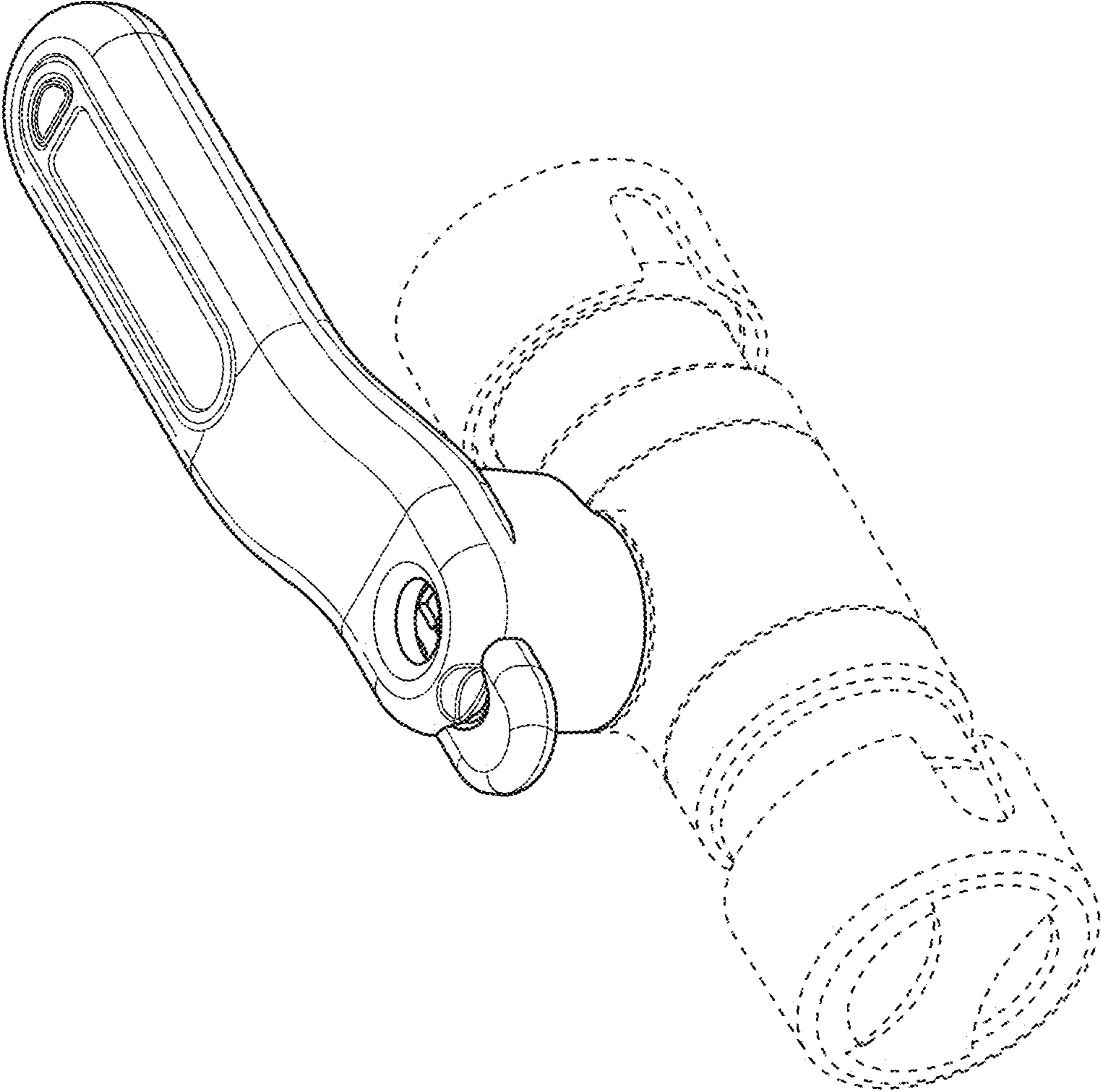


FIG. 8

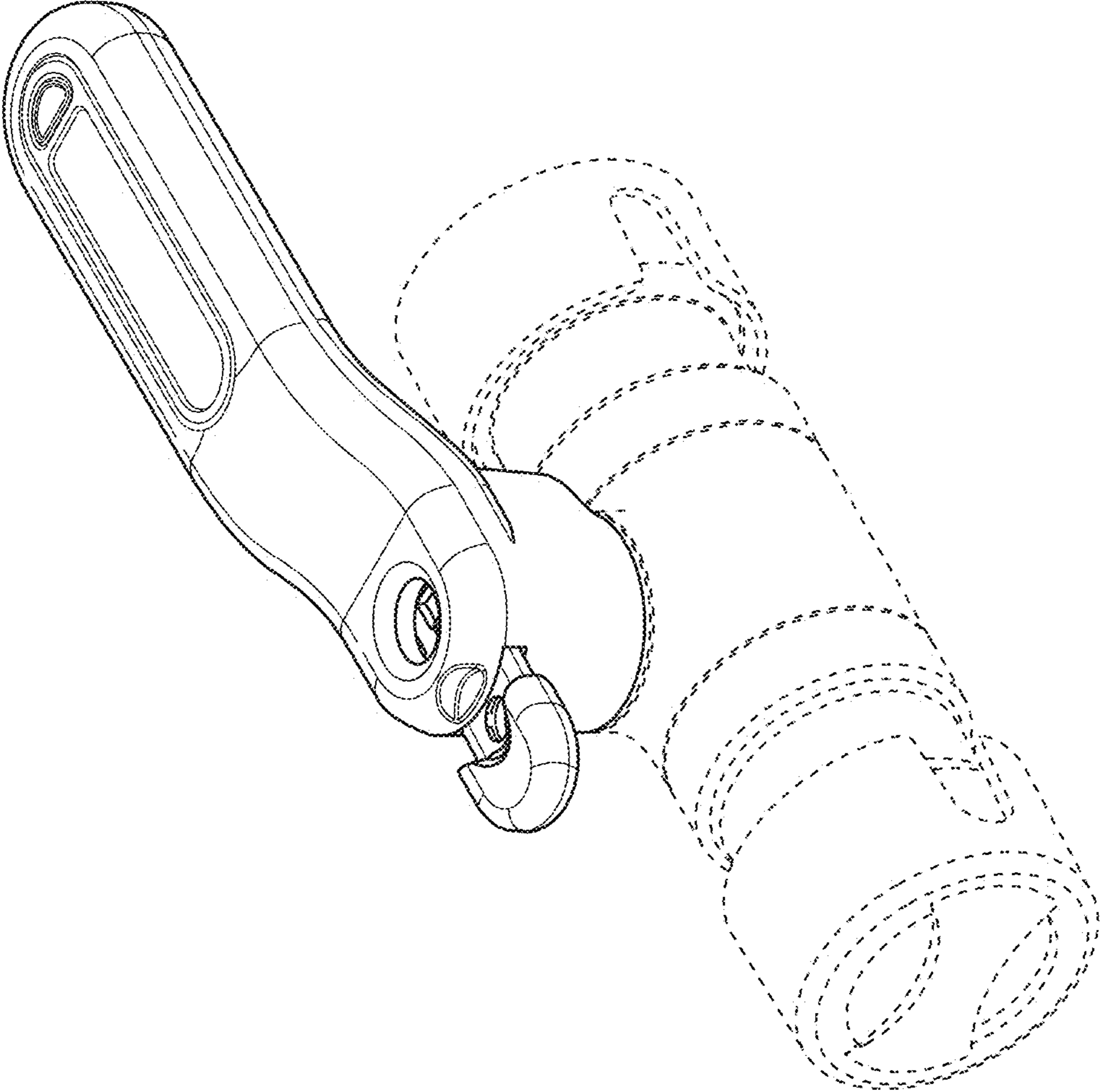


FIG. 9

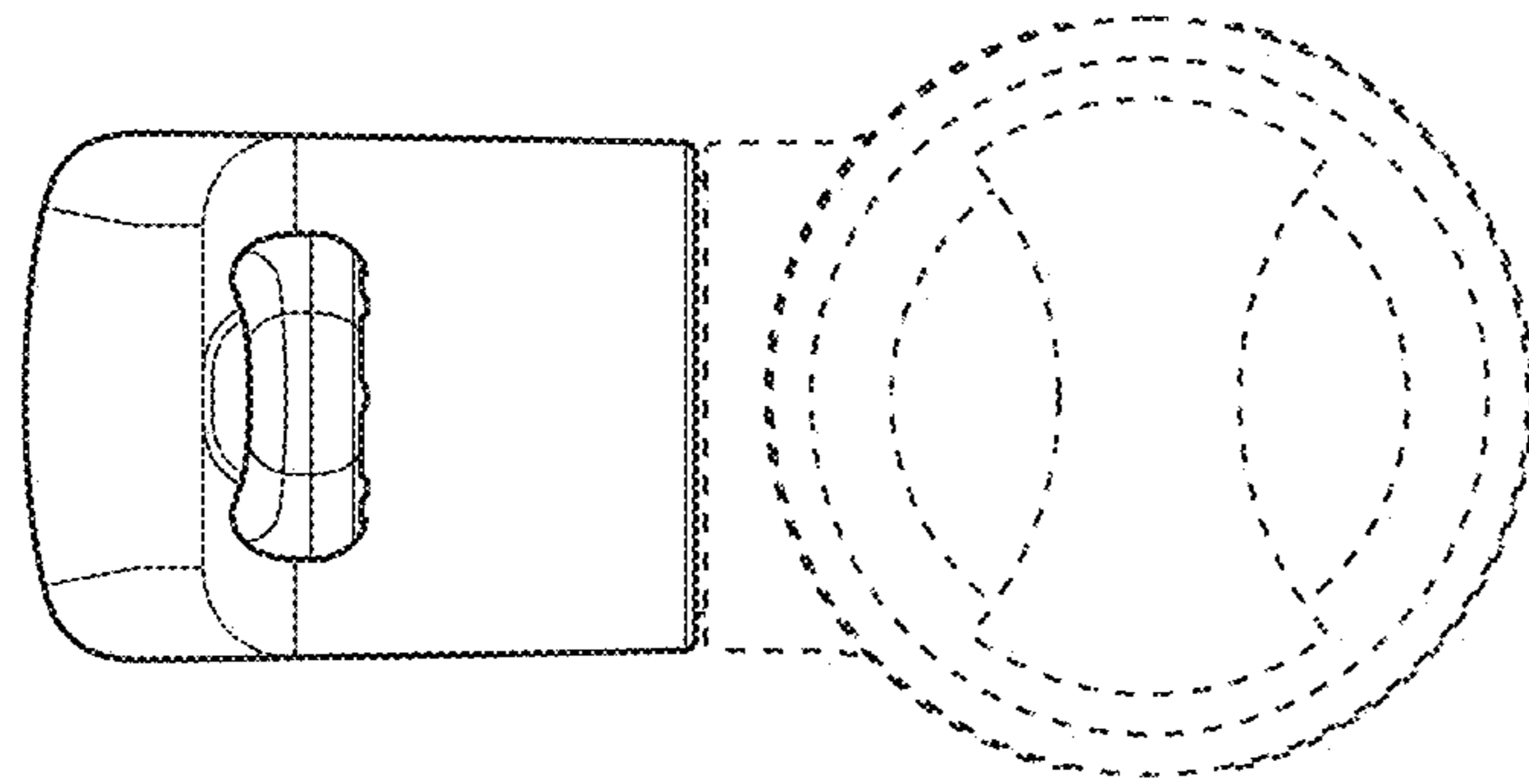


FIG. 10

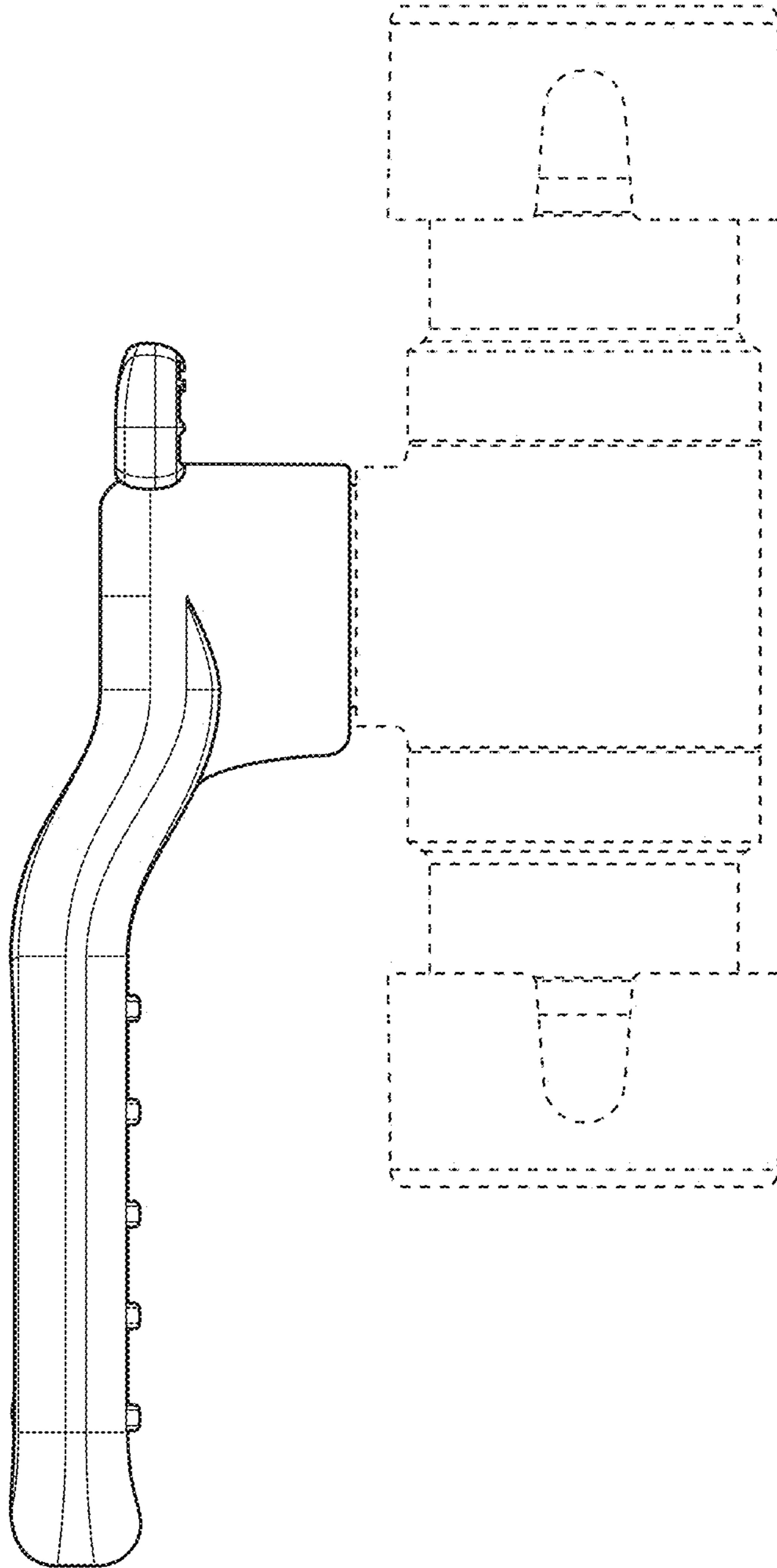


FIG. 11

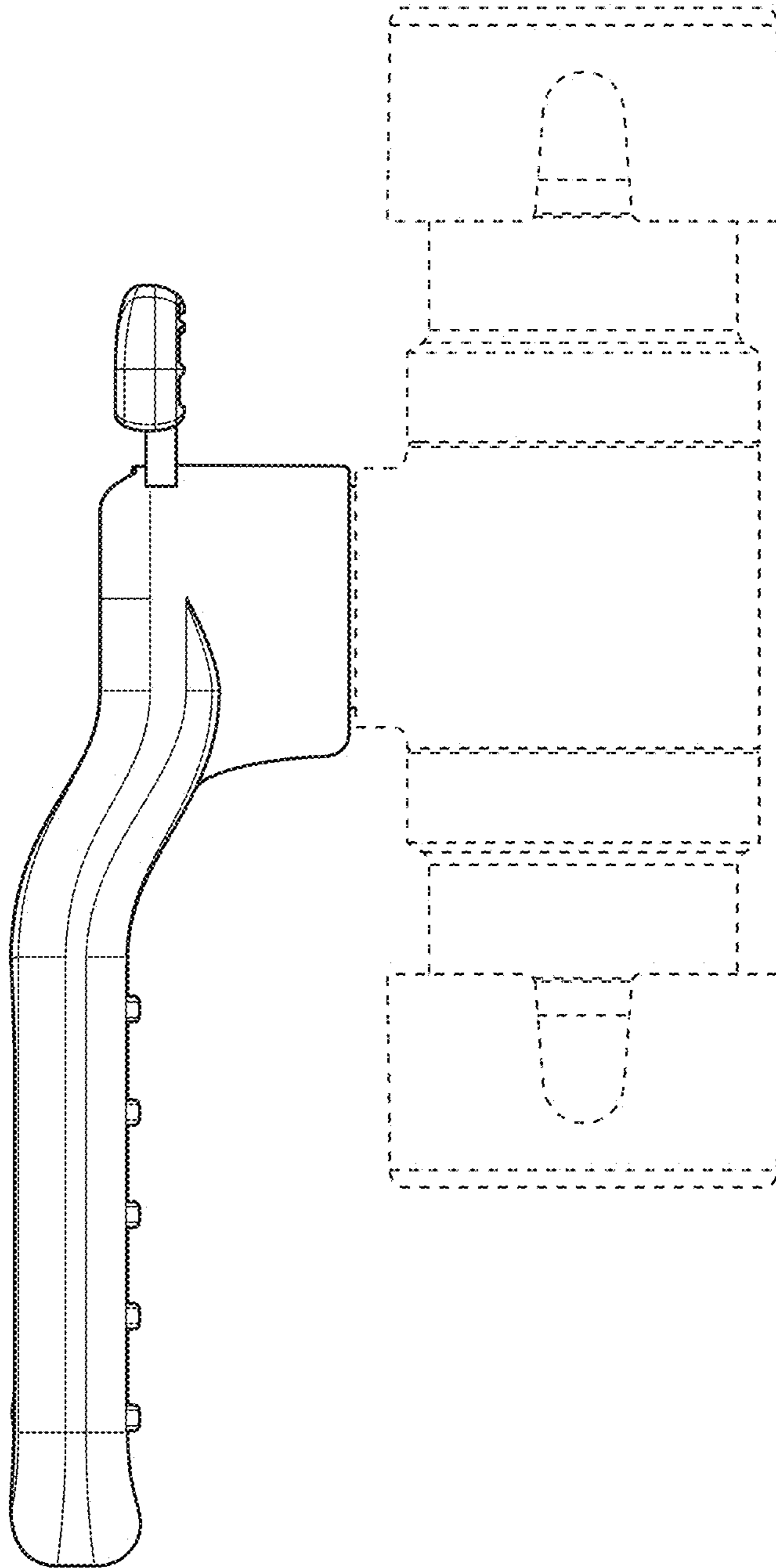


FIG. 12

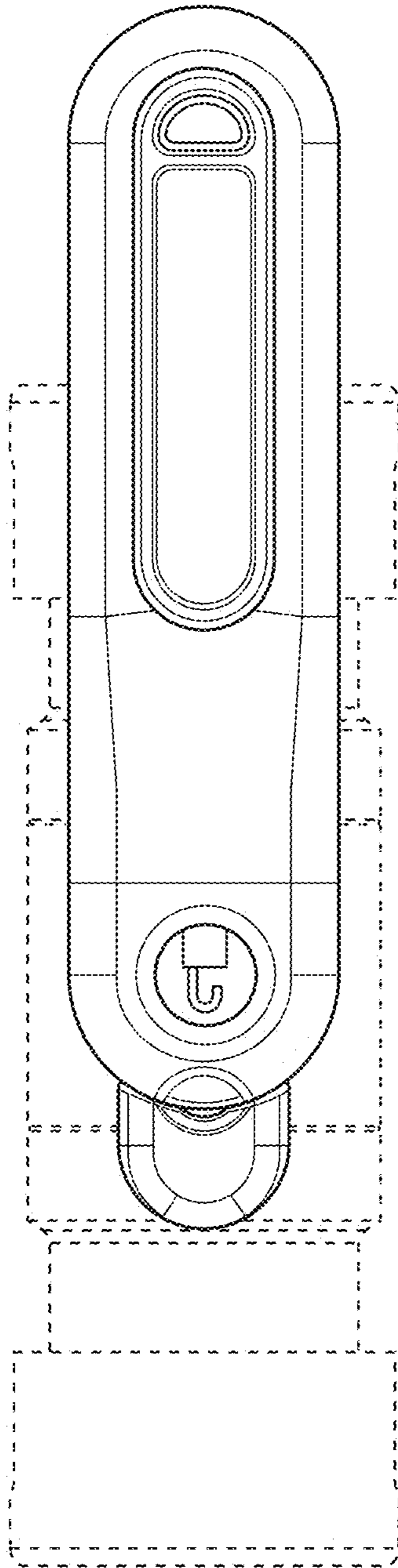


FIG. 13

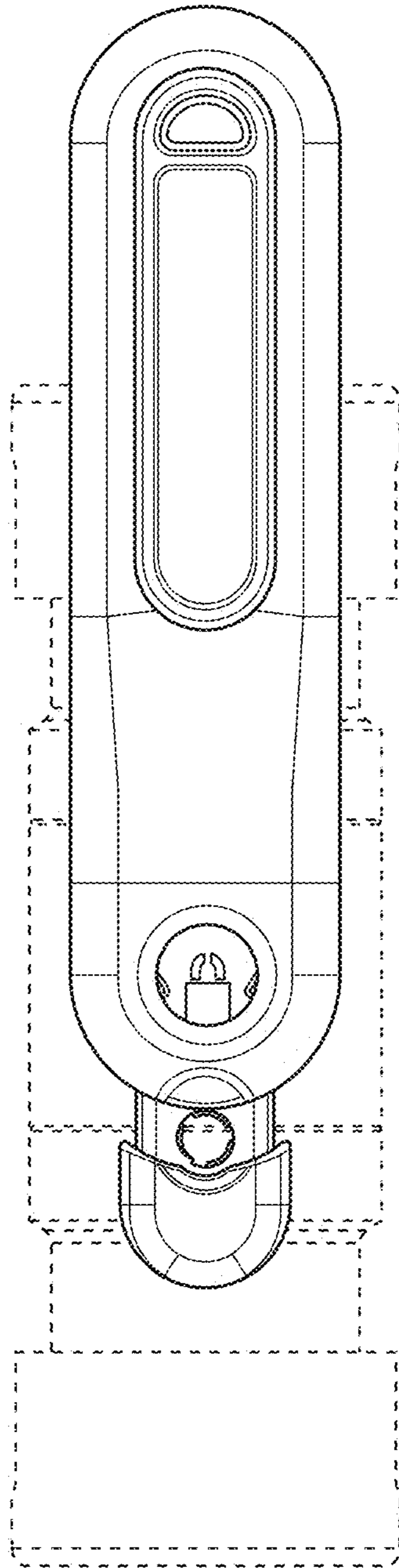


FIG. 14