



US00D900973S

(12) **United States Design Patent**  
**Mitsuoka**

(10) **Patent No.:** **US D900,973 S**

(45) **Date of Patent:** **\*\* Nov. 3, 2020**

(54) **BALL VALVE**

(71) Applicant: **Ryuji Mitsuoka**, Redmond, WA (US)

(72) Inventor: **Ryuji Mitsuoka**, Redmond, WA (US)

(\*\*) Term: **15 Years**

(21) Appl. No.: **29/702,706**

(22) Filed: **Aug. 21, 2019**

**Related U.S. Application Data**

(63) Continuation-in-part of application No. 29/700,852, filed on Aug. 6, 2019, which is a continuation-in-part of application No. 29/696,405, filed on Jun. 27, 2019.

(51) **LOC (12) Cl.** ..... **23-03**

(52) **U.S. Cl.**  
USPC ..... **D23/245**

(58) **Field of Classification Search**  
USPC ..... D23/223, 226, 233, 241, 245, 246, 250, 257, 249, 259, 262; 137/240, 412, 137/801; 251/148, 152, 309  
CPC .... F16K 27/067; F16K 5/0647; F16K 15/183; F16K 31/60; F16K 27/0209; F16K 15/144; F16K 15/148; E21B 2200/04  
See application file for complete search history.

(56) **References Cited**

**U.S. PATENT DOCUMENTS**

D602,565 S \* 10/2009 Nimberger ..... D23/233  
D701,945 S \* 4/2014 Mitsuoka ..... D23/245

D701,946 S \* 4/2014 Mitsuoka ..... D23/245  
D755,348 S \* 5/2016 Mitsuoka ..... D23/233  
D812,194 S \* 3/2018 Yamamoto ..... D23/245  
9,951,667 B2 \* 4/2018 Mitsuoka ..... F16K 27/067  
D884,836 S \* 5/2020 Yamamoto ..... D23/245

\* cited by examiner

*Primary Examiner* — Gino Colan

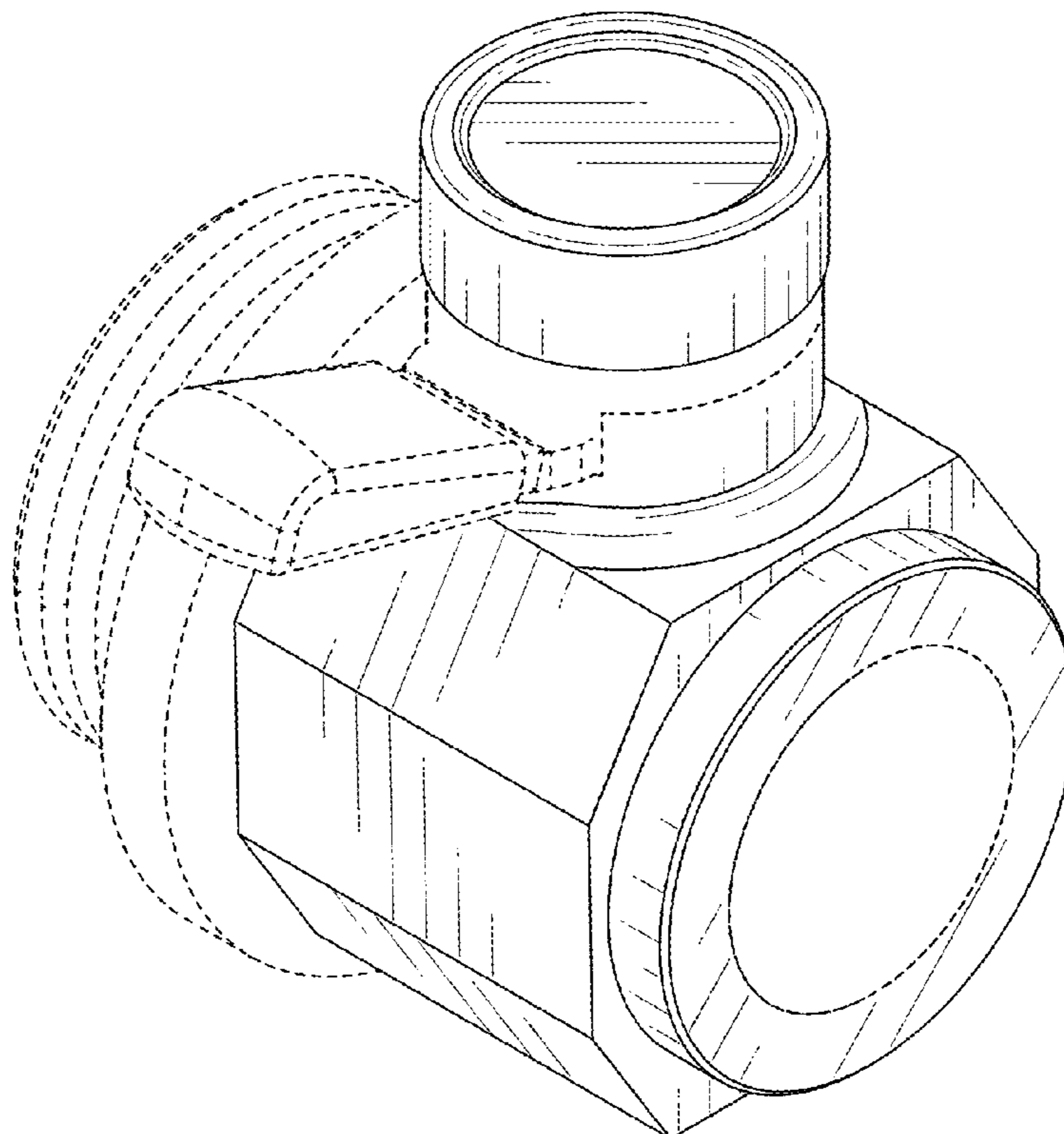
(57) **CLAIM**

The ornamental design for a ball valve, as shown and described.

**DESCRIPTION**

FIG. 1 is a front-top perspective view of a ball valve showing my new design;  
FIG. 2 is a front-bottom perspective view thereof;  
FIG. 3 is a rear-top perspective view thereof;  
FIG. 4 is a rear-bottom perspective view thereof;  
FIG. 5 is a front elevational view thereof;  
FIG. 6 is a rear elevational view thereof;  
FIG. 7 is a left elevational view thereof;  
FIG. 8 is a right elevational view thereof;  
FIG. 9 is a top plan view thereof; and,  
FIG. 10 is a bottom plan view thereof.  
The broken lines shown in the figures are included for the purpose of illustrating portions of the ball valve and form no part of the claimed design.

**1 Claim, 10 Drawing Sheets**



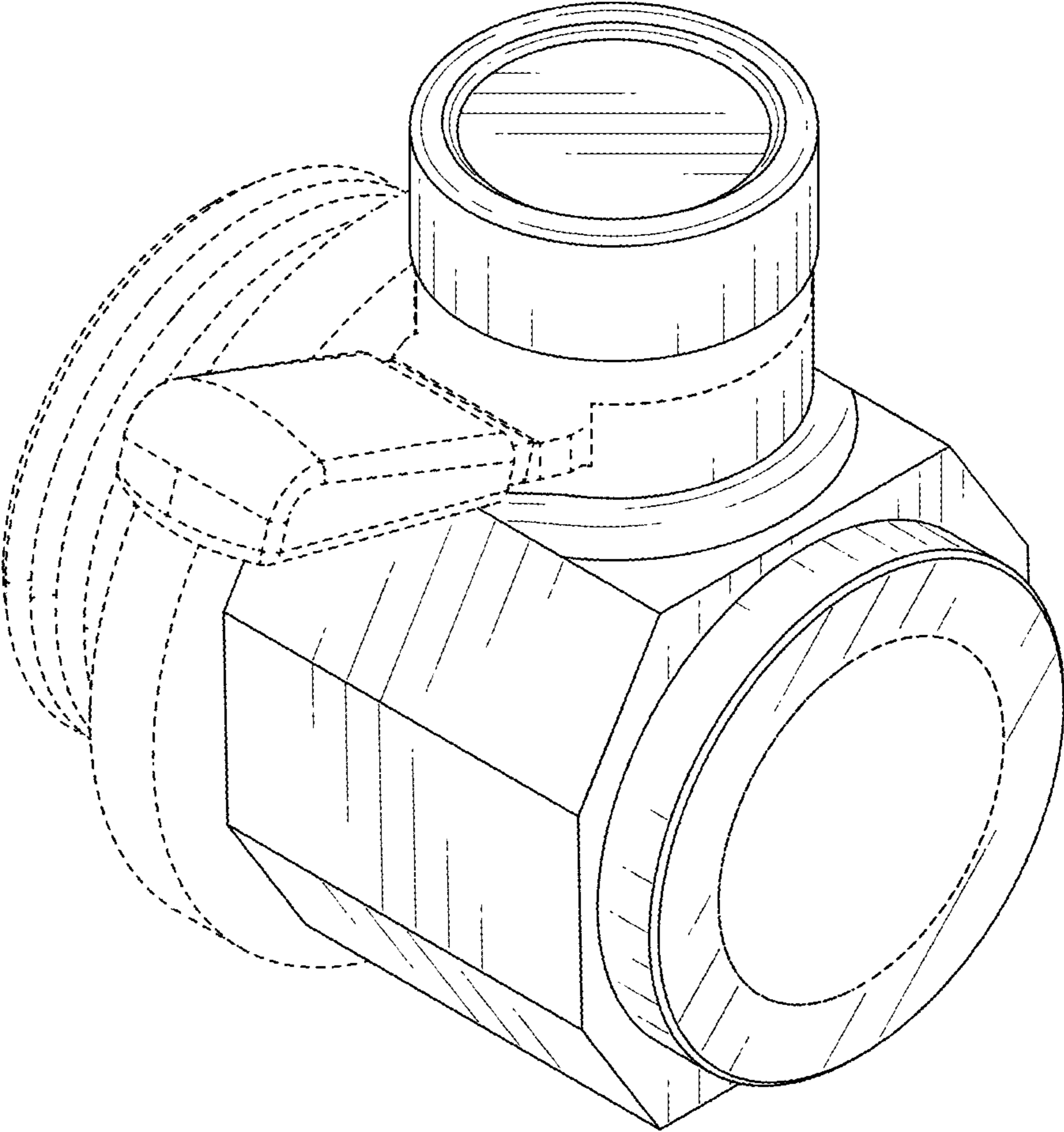


FIG. 1

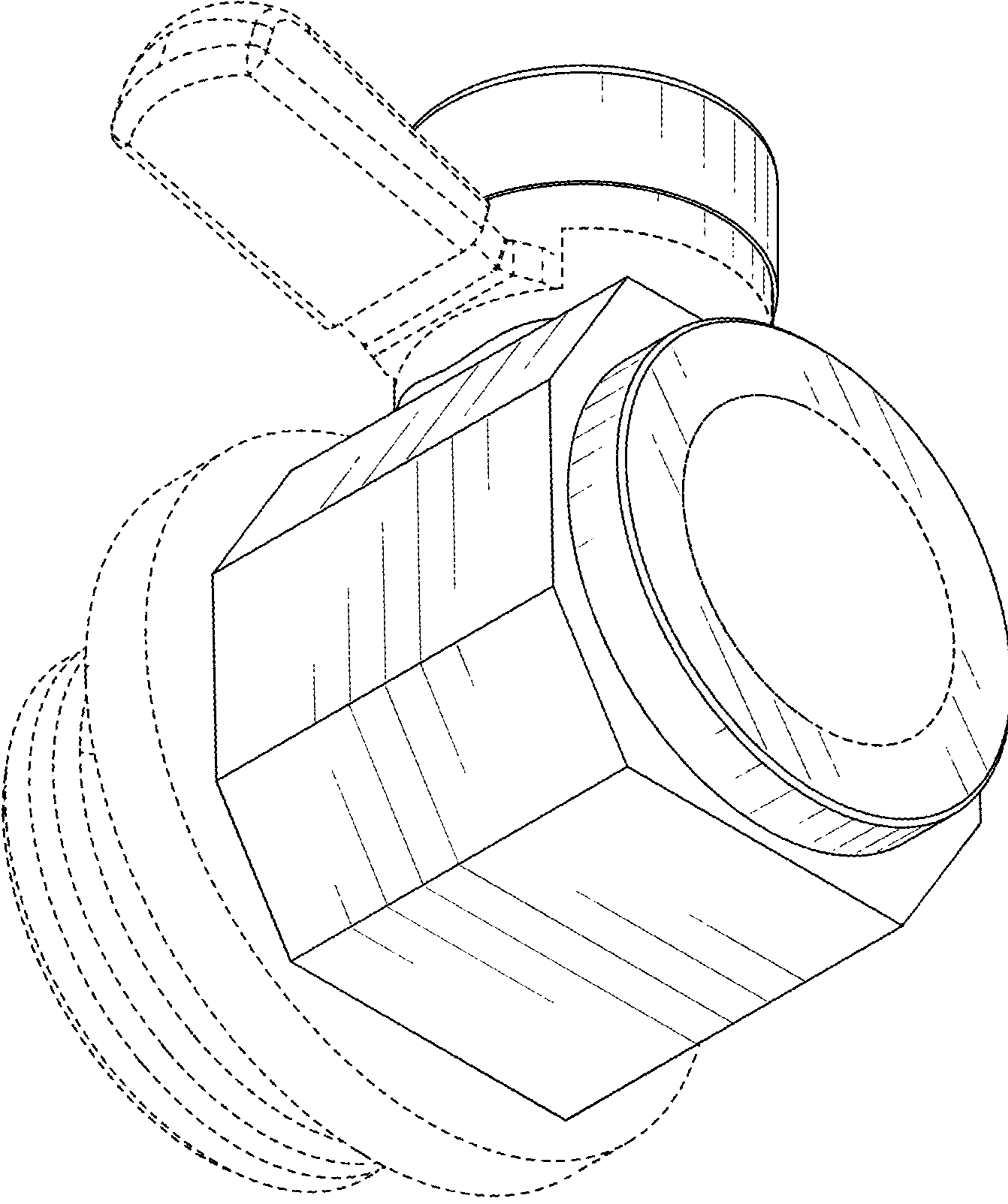


FIG. 2

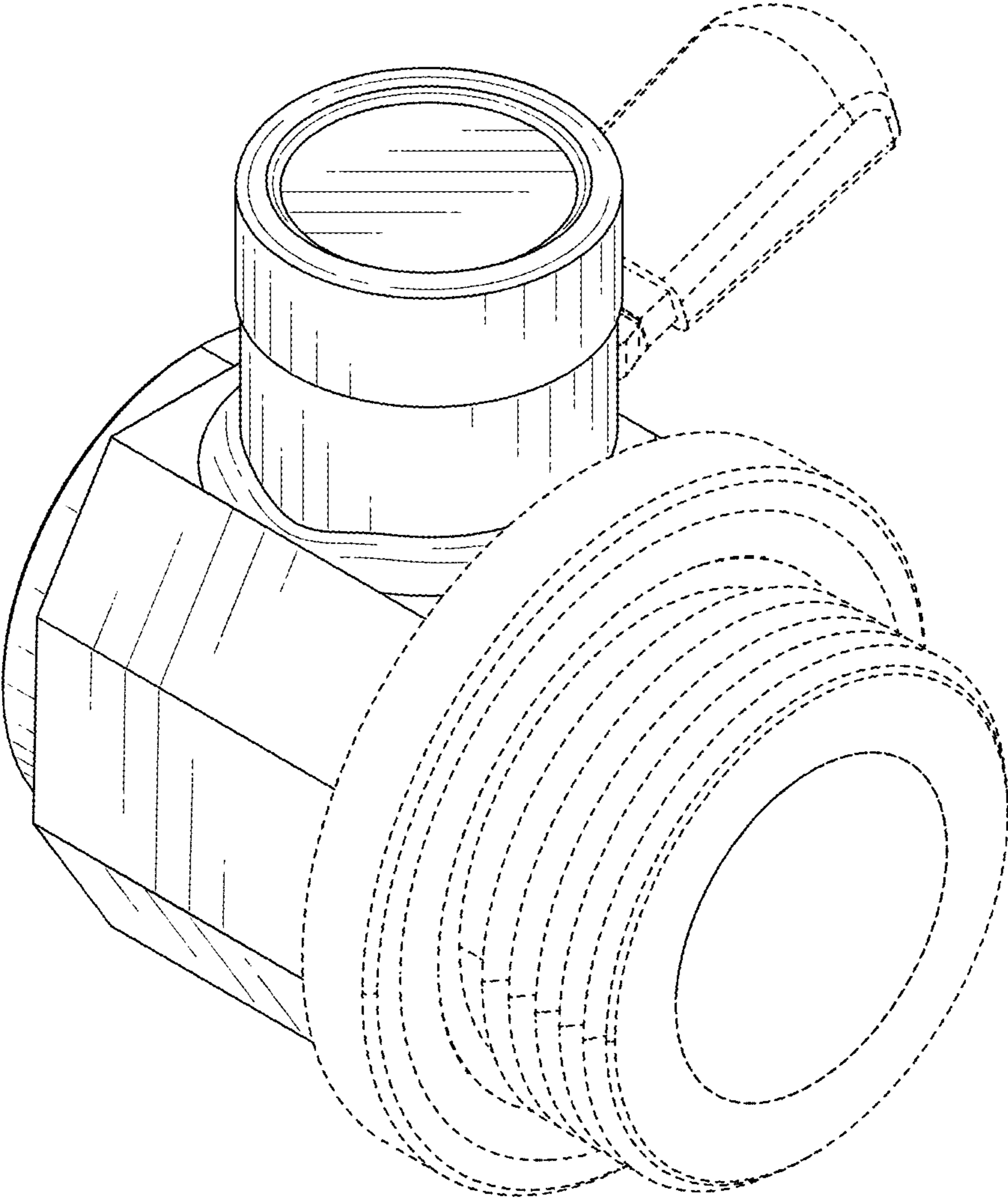


FIG. 3



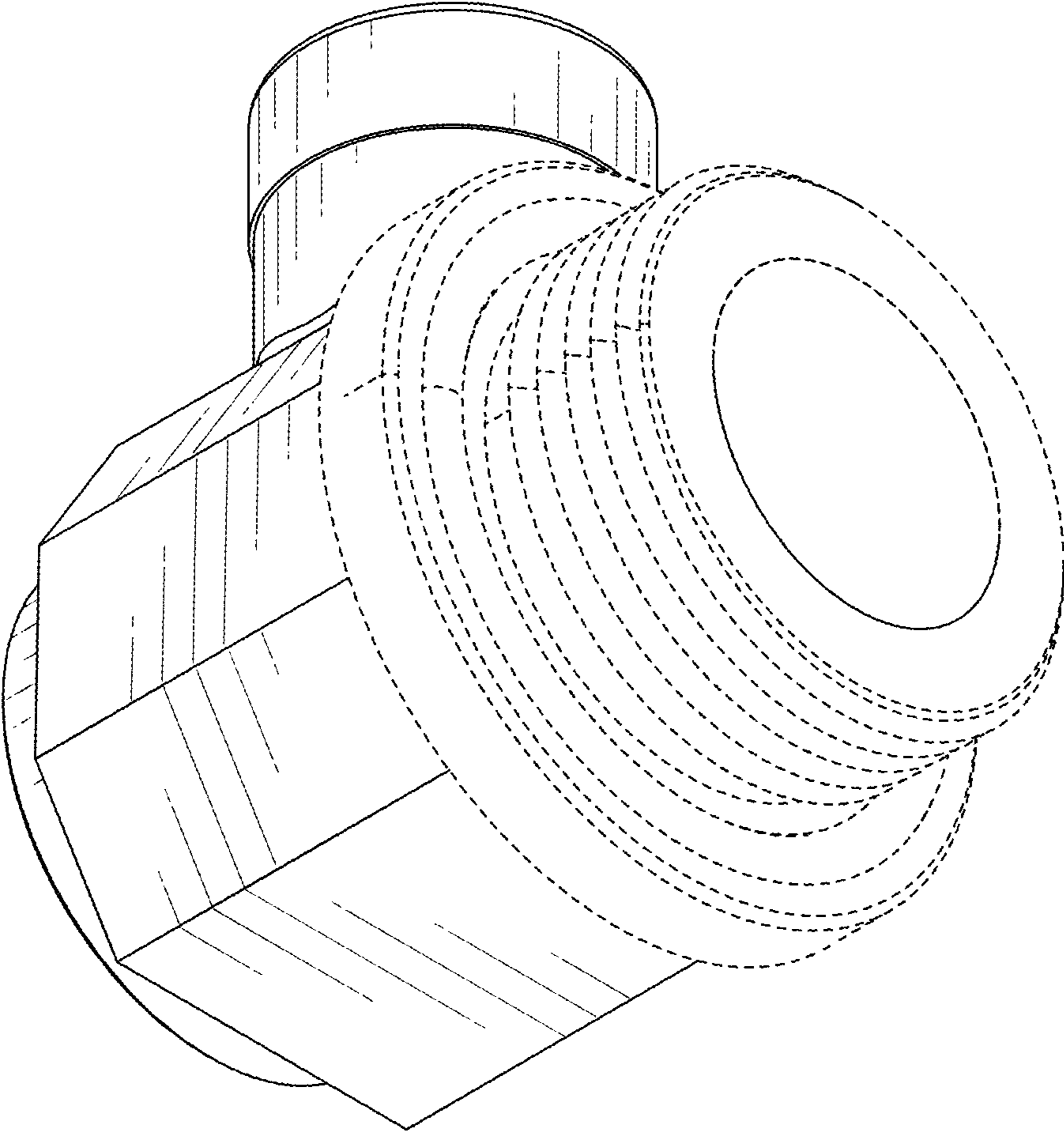


FIG. 4

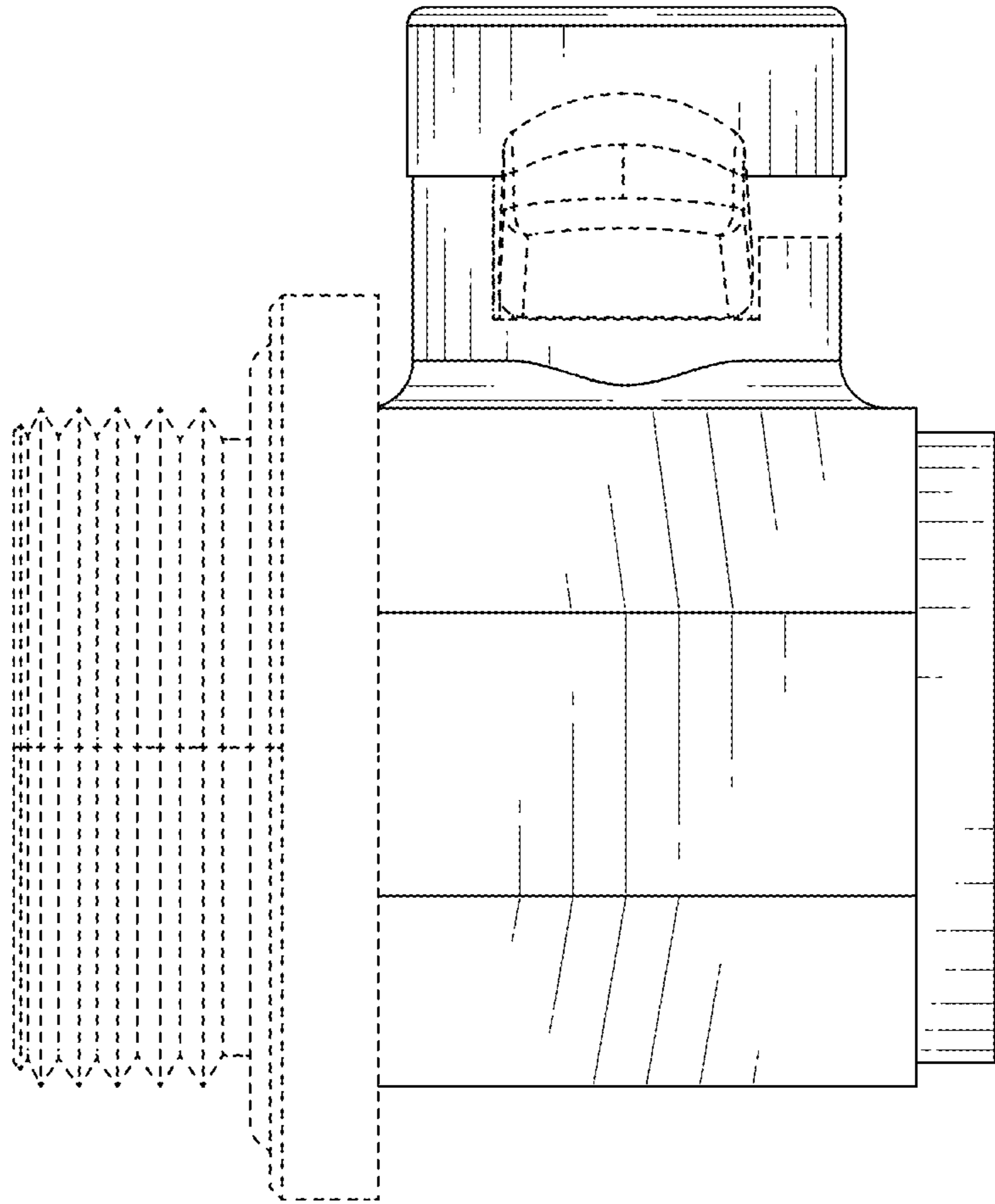


FIG. 5

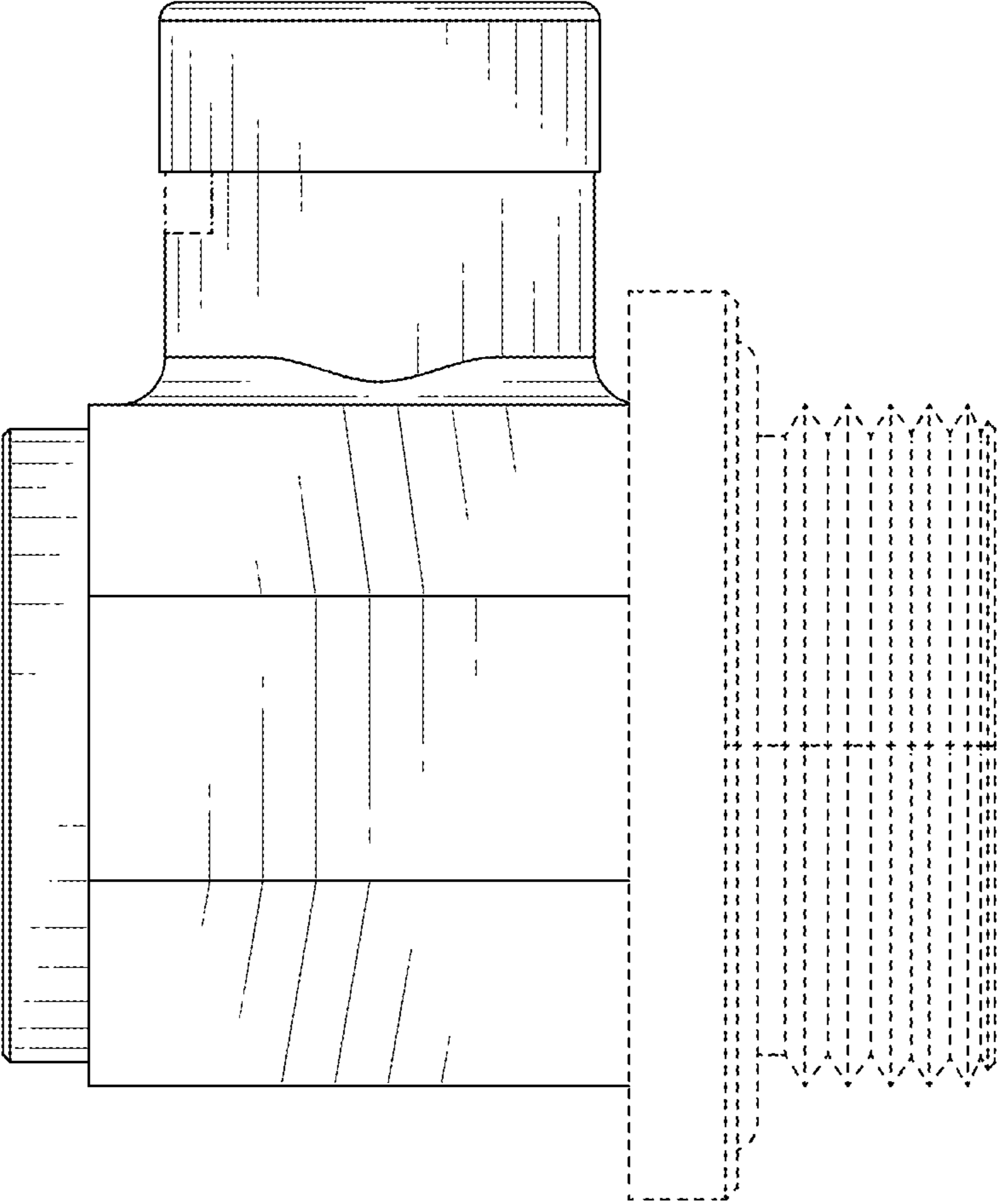


FIG. 6

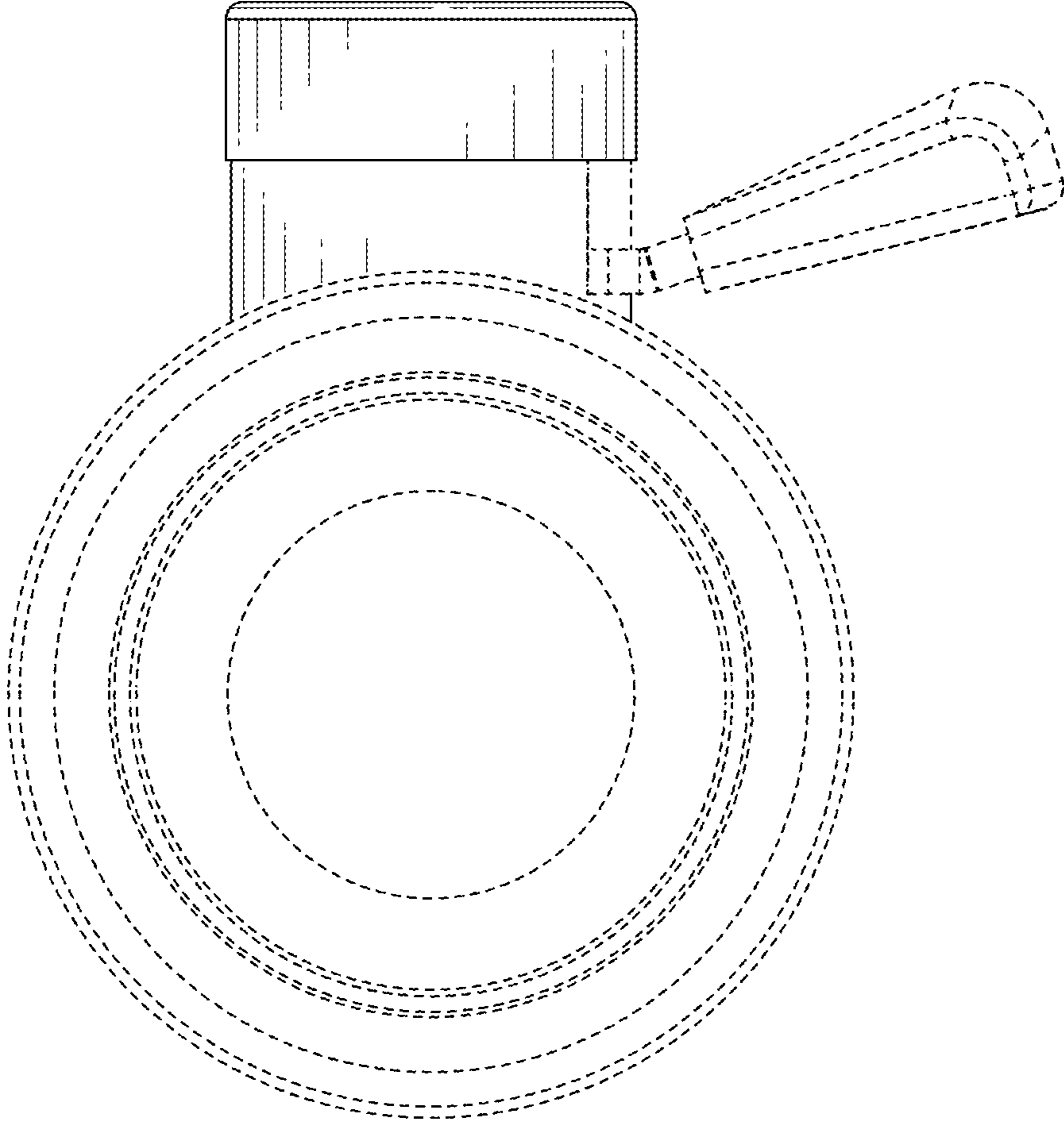


FIG. 7



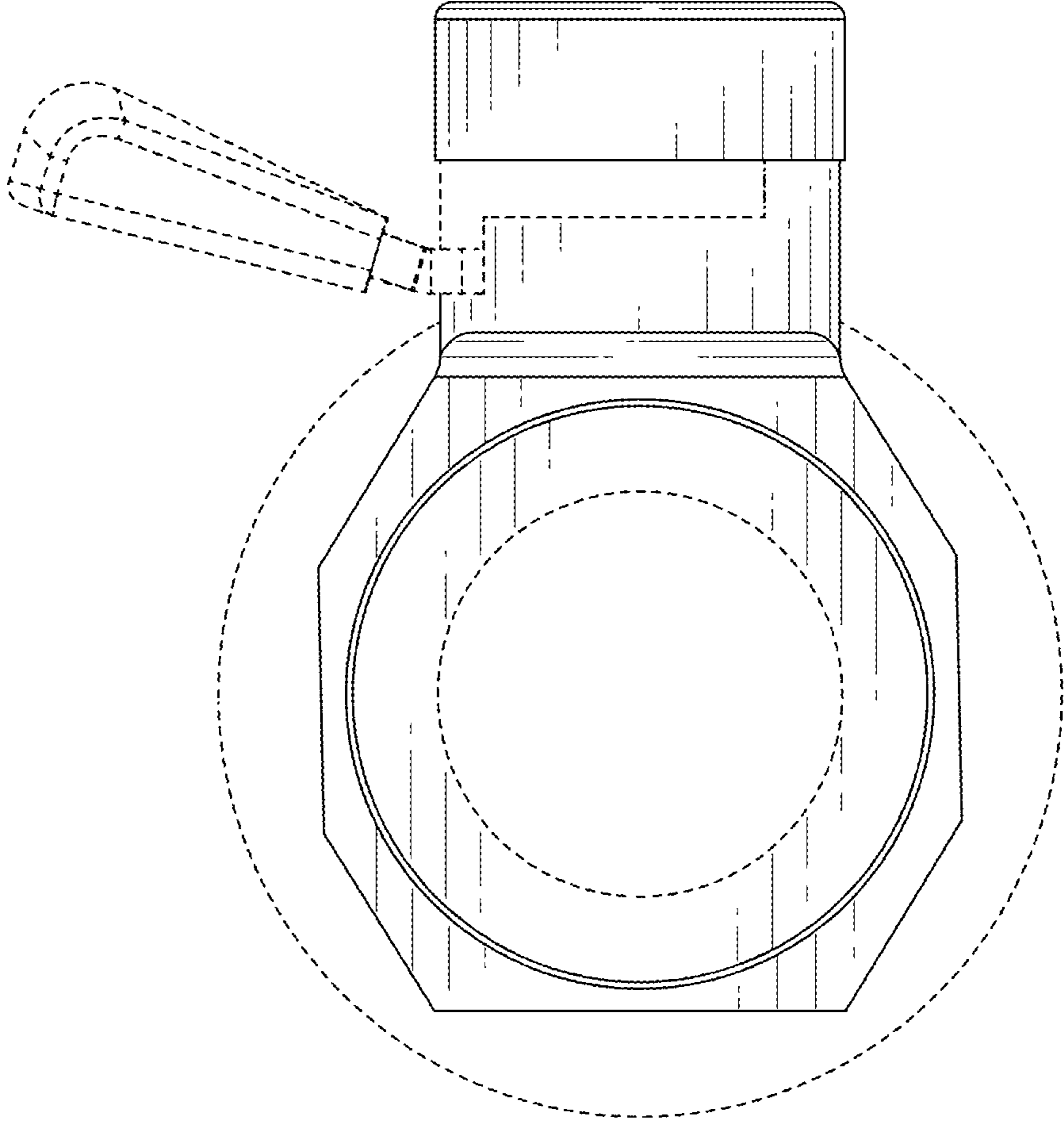


FIG. 8

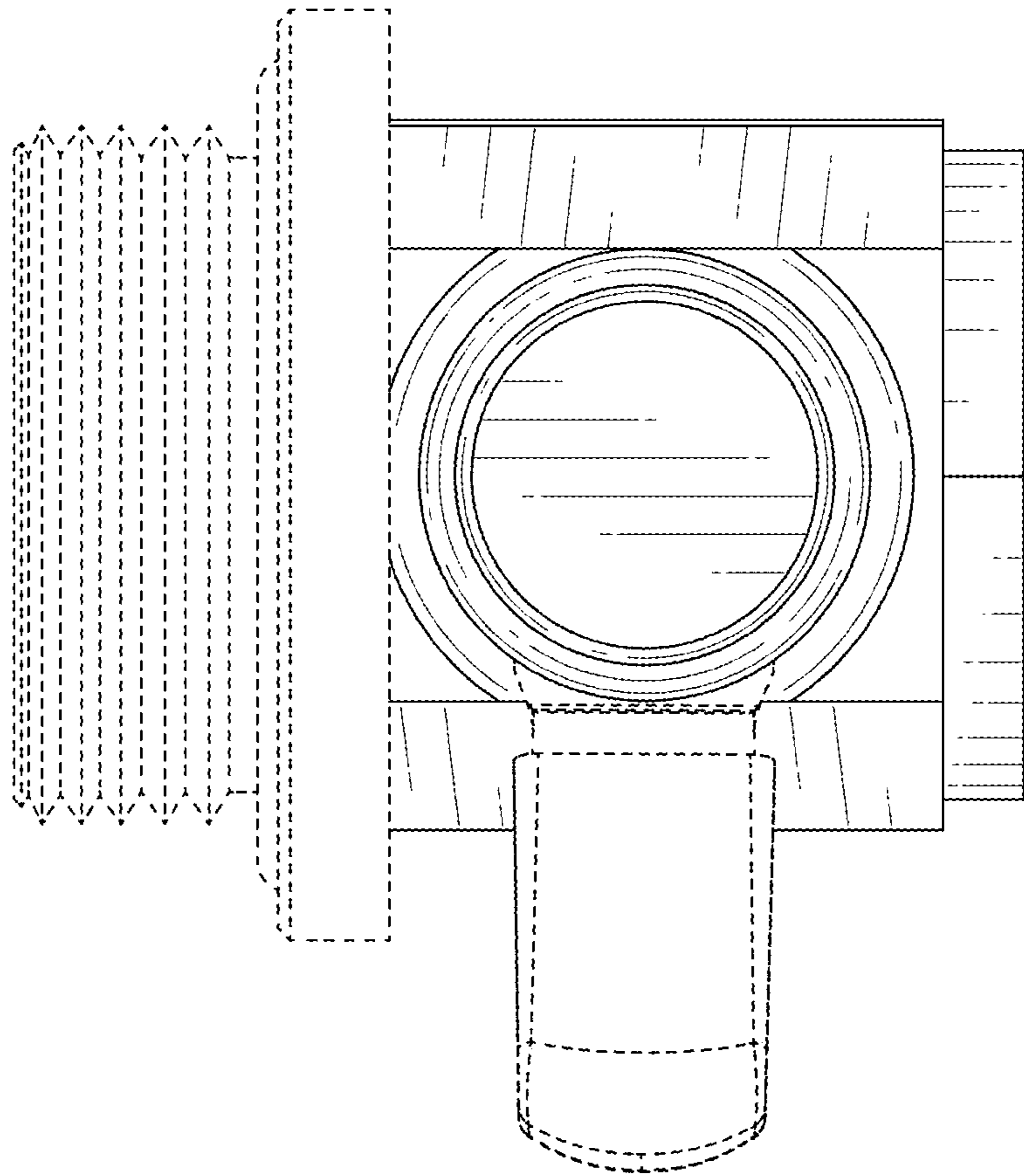


FIG. 9

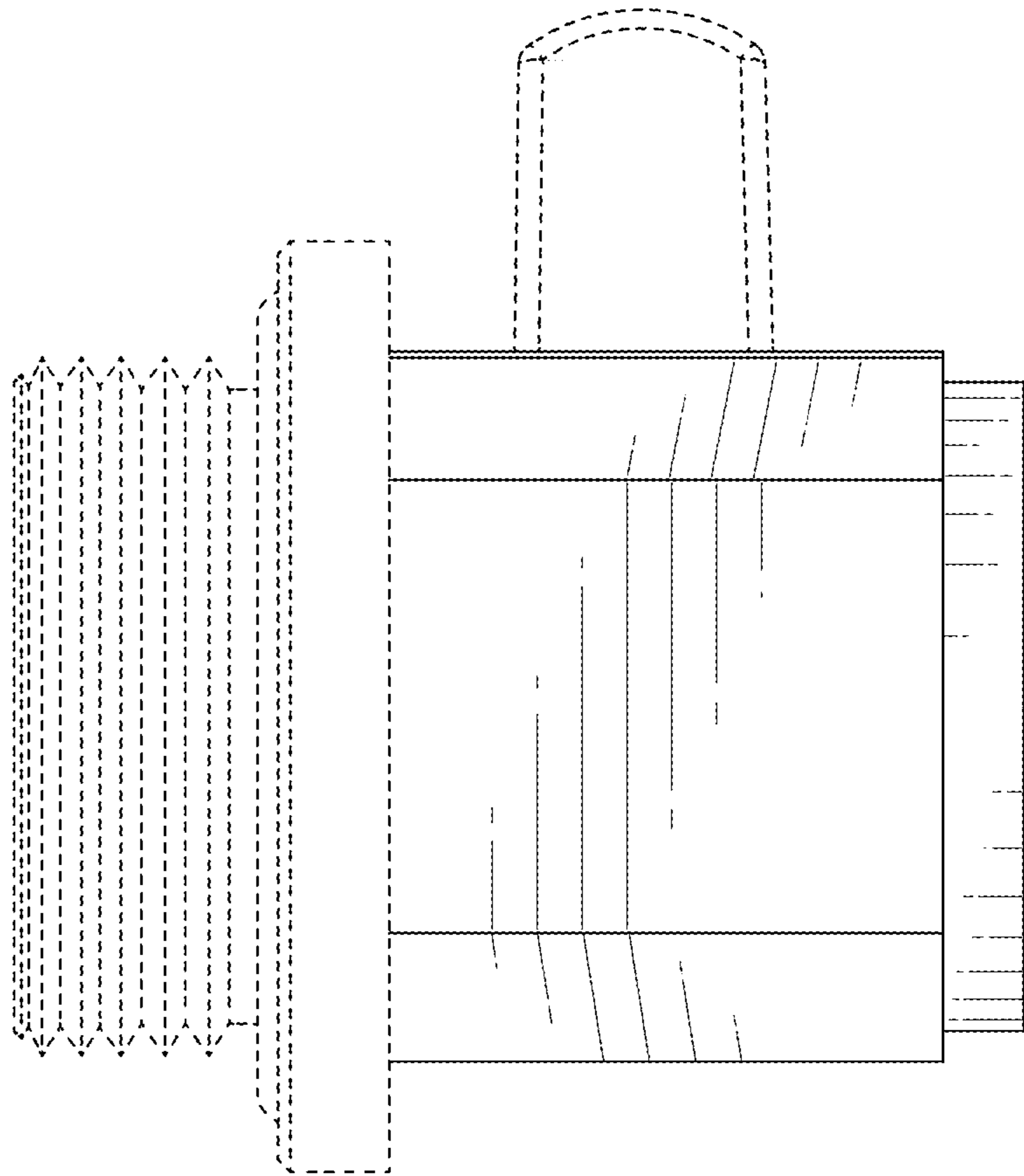


FIG. 10