



US00D900972S

(12) **United States Design Patent** (10) **Patent No.:** **US D900,972 S**
Woodhead et al. (45) **Date of Patent:** **** Nov. 3, 2020**

(54) **CONTROL VALVE** D358,454 S * 5/1995 Kaspers D23/245
 5,421,546 A * 6/1995 Baumann F16K 7/02
 (71) Applicant: **EMERSON VULCAN HOLDING** D595,809 S * 7/2009 Madsen D23/233
LLC, St. Louis, MO (US) D616,529 S * 5/2010 Gaertner D23/244
 (72) Inventors: **Peter Woodhead, St. Louis, MO (US);** D836,754 S * 12/2018 Johanning D23/245
Marko Pregelj, St. Louis, MO (US); 2012/0241659 A1 * 9/2012 Clifford F16K 41/12
Nilesh Patil, St. Louis, MO (US) 2016/0169410 A1 * 6/2016 Wheeler F16K 37/0041
 137/1

(73) Assignee: **Emerson Vulcan Holding LLC, St. Louis, MO (US)**

* cited by examiner

(**) Term: **15 Years**

Primary Examiner — Gino Colan

(21) Appl. No.: **29/634,980**

(74) *Attorney, Agent, or Firm* — Marshall, Gerstein & Borun LLP

(22) Filed: **Jan. 26, 2018**

(30) **Foreign Application Priority Data**

(57) **CLAIM**

Aug. 4, 2017 (EM) EM004134476-0001

The ornamental design for a control valve, as shown and described.

(51) **LOC (12) Cl.** **23-01**

(52) **U.S. Cl.**
 USPC **D23/245**

(58) **Field of Classification Search**
 USPC D23/233, 235, 241, 242, 244, 245;
 251/331, 58, 257; 137/1
 CPC F16K 37/00; F16K 7/00; F16K 27/0209
 See application file for complete search history.

DESCRIPTION

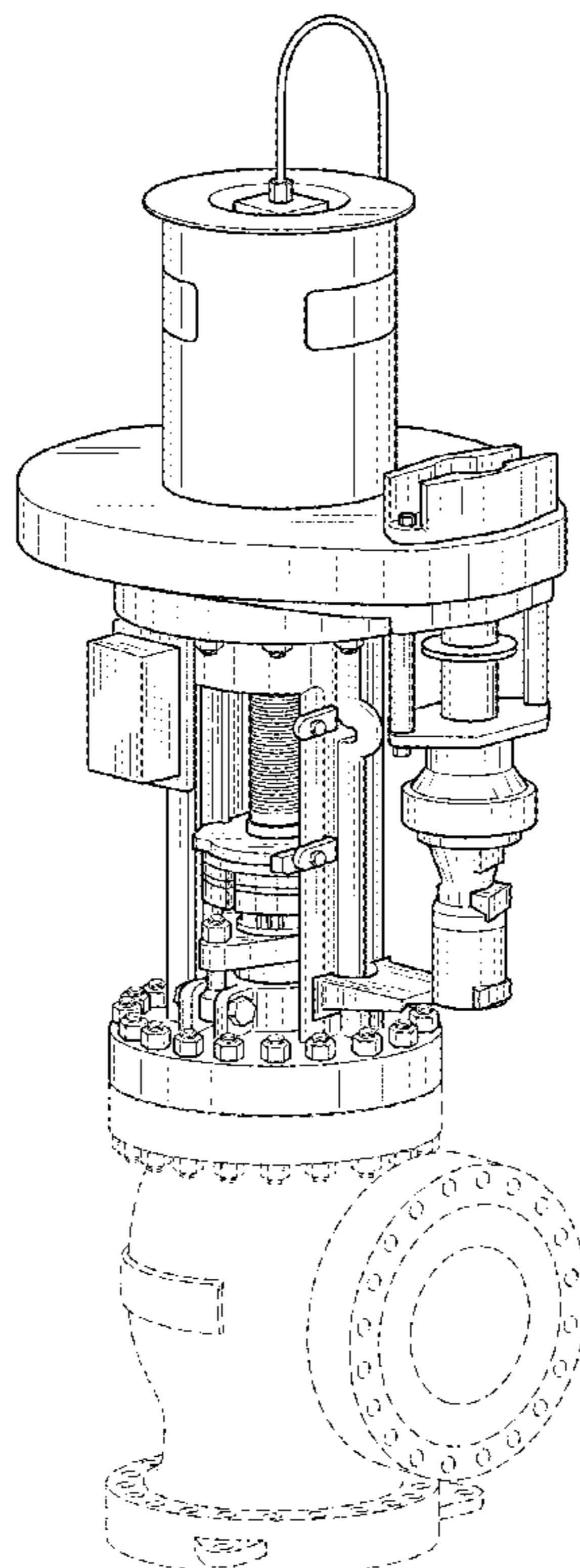
FIG. 1 is a front, top, and right-side view of a control valve showing our new design.
 FIG. 2 is a rear, top, and right-side view of the control valve; and,
 FIG. 3 is a left side and bottom view of the control valve. The broken lines represent portions of the control valve that form no part of the claimed design.

(56) **References Cited**

U.S. PATENT DOCUMENTS

D287,044 S * 12/1986 Hughes D23/235
 D348,721 S * 7/1994 Nagel D23/233

1 Claim, 3 Drawing Sheets



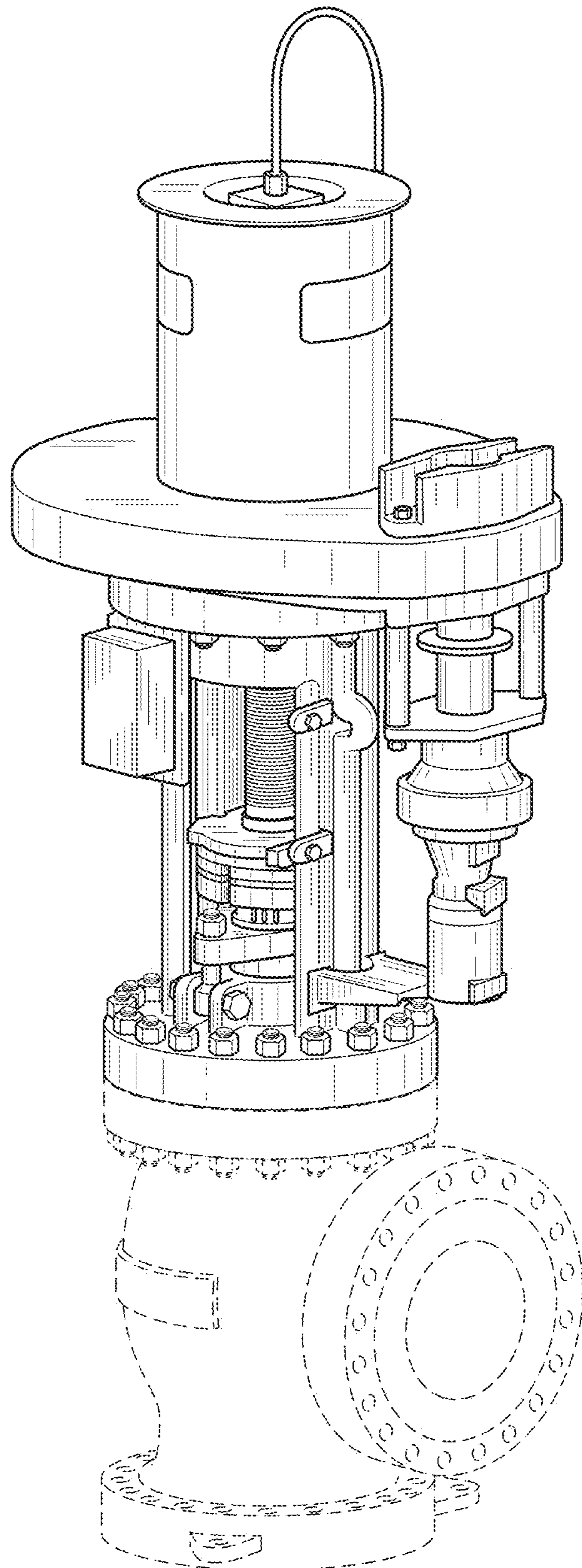


FIG. 1

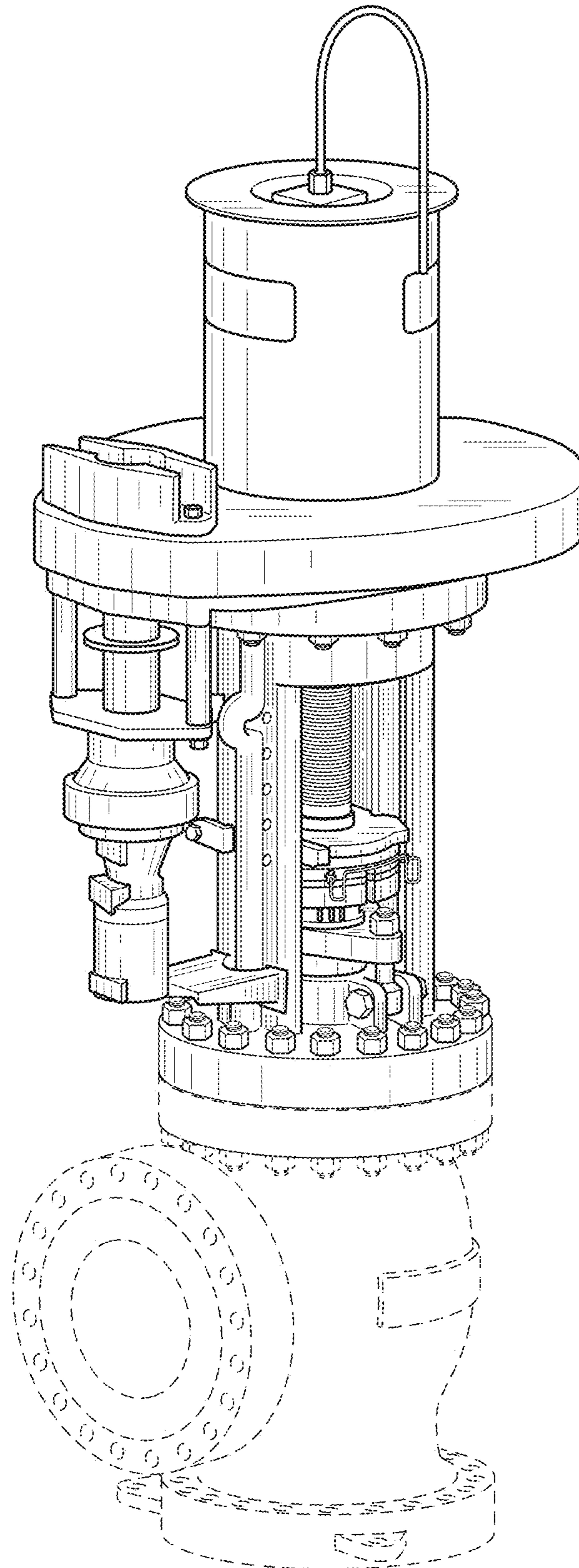


FIG. 2

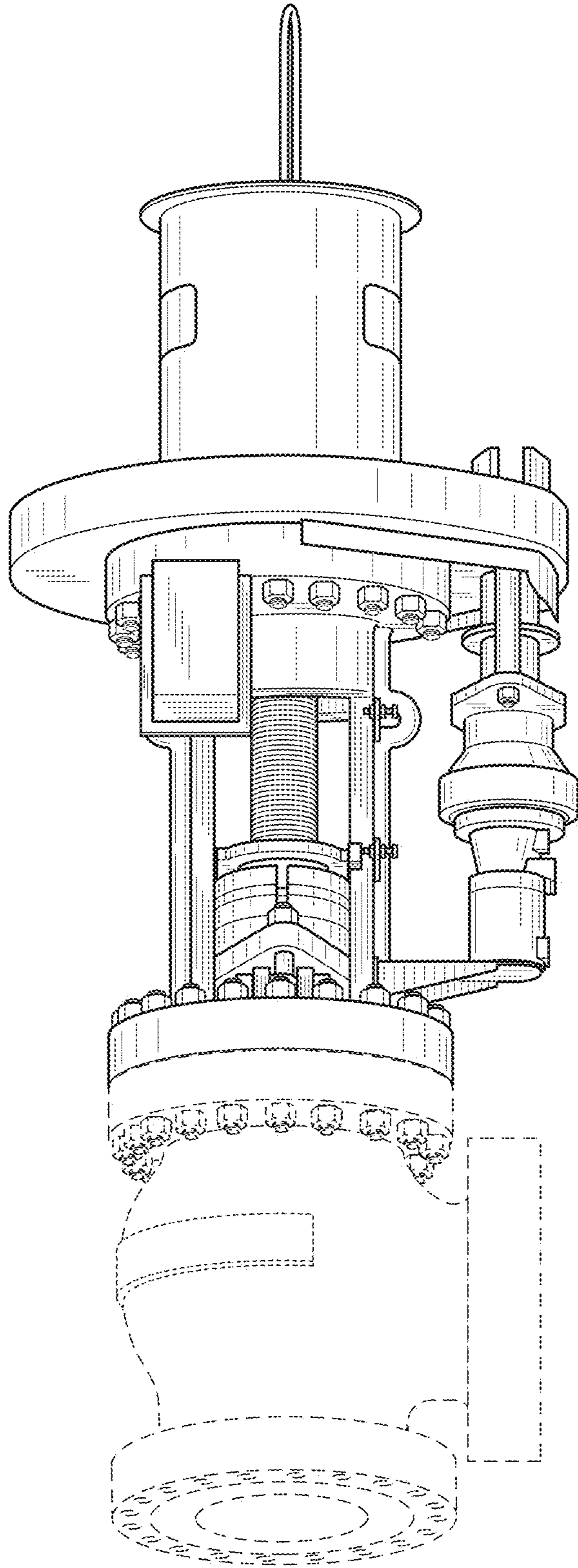


FIG. 3