



US00D900970S

(12) **United States Design Patent** (10) **Patent No.:** **US D900,970 S**
Takahashi et al. (45) **Date of Patent:** **** Nov. 3, 2020**

(54) **FAUCET**

(71) Applicant: **TOTO, Ltd.**, Kitakyushu (JP)

(72) Inventors: **Yasushi Takahashi**, Kitakyushu (JP);
Shogo Takayama, Kitakyushu (JP);
Takanori Shimazoe, Kitakyushu (JP);
Kanako Fukuoka, Kitakyushu (JP);
Tomohiro Miyazaki, Kitakyushu (JP);
Mark Sydavong, Singapore (SG)

(73) Assignee: **TOTO Ltd.**, Kitakyushu (JP)

(**) Term: **15 Years**

(21) Appl. No.: **29/685,634**

(22) Filed: **Mar. 29, 2019**

(30) **Foreign Application Priority Data**

Dec. 27, 2018 (JP) 2018-028767

(51) **LOC (12) Cl.** **23-01**

(52) **U.S. Cl.**
USPC **D23/238**

(58) **Field of Classification Search**
USPC D23/238-244, 252, 255, 257;
D8/307-308

CPC F16K 31/602; F16K 31/605; F16K 31/607;
E03C 1/0412

See application file for complete search history.

(56) **References Cited**

U.S. PATENT DOCUMENTS

D517,169 S * 3/2006 Ogata D23/238
D548,308 S * 8/2007 Hoernig D23/238
D607,975 S * 1/2010 Schoenherr D23/238
D636,853 S * 4/2011 Yu D23/238
D682,395 S * 5/2013 Mendoza D23/238
D682,990 S * 5/2013 Obara D23/238
D690,393 S * 9/2013 Gessi D23/238
D698,421 S * 1/2014 Schoenherr D23/238

D700,955 S * 3/2014 Schoenherr D23/238
D708,709 S * 7/2014 Yu D23/238
D726,880 S * 4/2015 Kington D23/238
D760,354 S * 6/2016 Citterio D23/238
D767,721 S * 9/2016 Yoshioka D23/238
D773,614 S * 12/2016 Potter D23/238

(Continued)

FOREIGN PATENT DOCUMENTS

CN 304849691 * 3/2018
WO D093856-009 * 12/2016

OTHER PUBLICATIONS

Single Hole Bathroom Faucet, announced Nov. 4, 2014[online],
[site visited Jul. 22, 2020]. Available from internet, URL:<https://
www.amazon.com/Faucet-Single-Handle-Bathroom-Assembly-567LF-
PP/dp/B00P8A6AME> (Year: 2016).*

(Continued)

Primary Examiner — Barbara Fox

Assistant Examiner — Jamaal Rasheed

(74) *Attorney, Agent, or Firm* — Banner & Witcoff, Ltd.

(57) **CLAIM**

The ornamental design for a faucet, as shown and described.

DESCRIPTION

FIG. 1 is a perspective view of a faucet showing our new design;

FIG. 2 is a front view thereof;

FIG. 3 is a rear view thereof;

FIG. 4 is a left side view thereof;

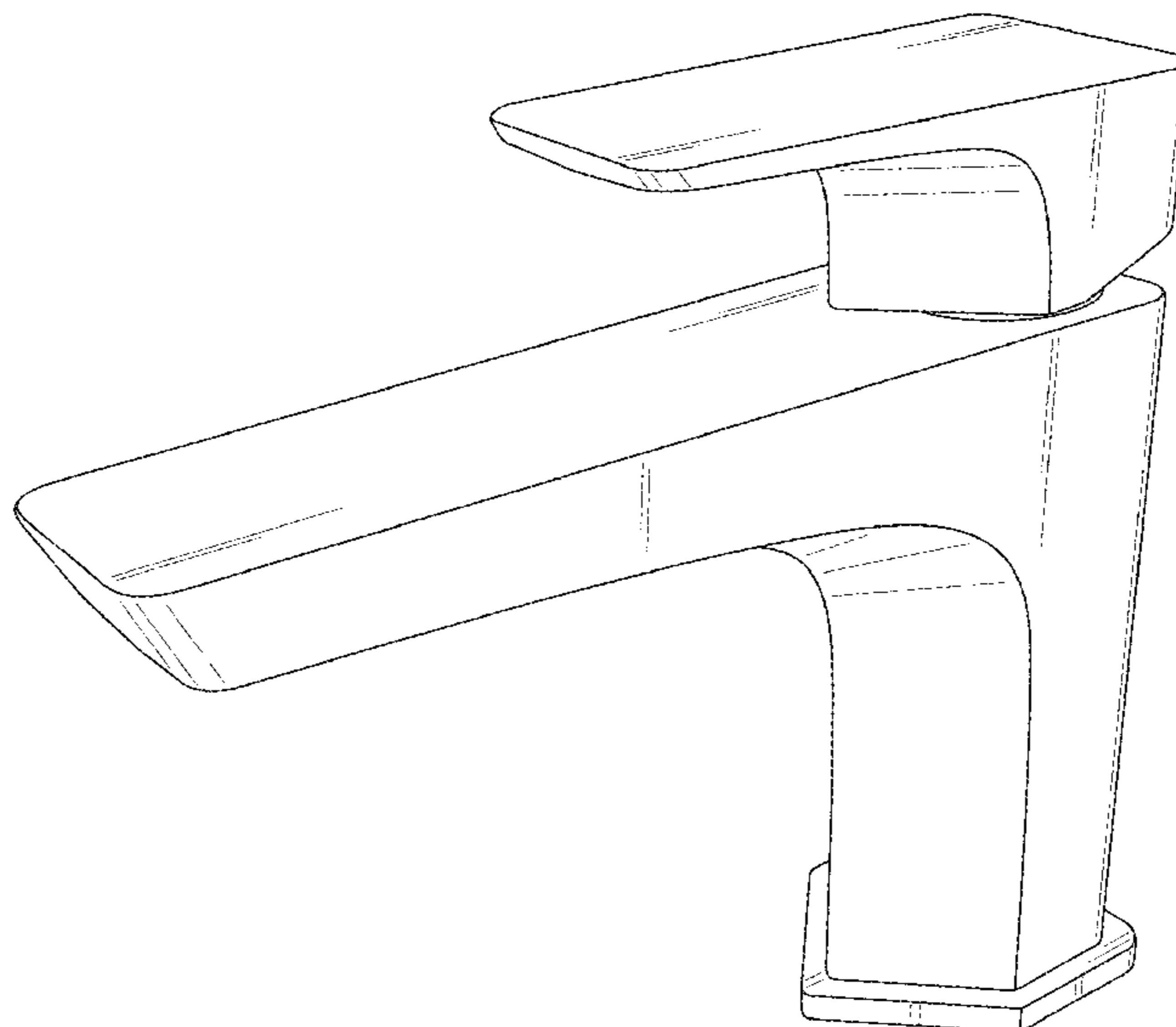
FIG. 5 is a right side view thereof;

FIG. 6 is a top view thereof; and,

FIG. 7 is a bottom view thereof.

The broken lines shown in the figures are included for the purpose of illustrating portions of the faucet that form no part of the claimed design.

1 Claim, 5 Drawing Sheets



(56)

References Cited

U.S. PATENT DOCUMENTS

D796,636	S	*	9/2017	Downey	D23/238
D809,103	S	*	1/2018	Schoenherr	D23/238
D812,193	S	*	3/2018	Seum	D23/238
D817,453	S	*	5/2018	Wang	D23/238
D820,957	S	*	6/2018	Schaubach	D23/238
D823,434	S	*	7/2018	Downey	D23/238
D823,436	S	*	7/2018	He	D23/238
D825,032	S	*	8/2018	He	D23/238
D828,500	S	*	9/2018	Schoenherr	D23/238
D828,512	S	*	9/2018	Liu	D23/238
D830,515	S	*	10/2018	L'Henaff	D23/238
D841,129	S	*	2/2019	Garland	D23/238
D855,770	S	*	8/2019	Eads	D23/238
D857,168	S	*	8/2019	Soulier	D23/238
D859,585	S	*	9/2019	Seum	D23/238
D861,831	S	*	10/2019	Liao	D23/238
D866,714	S	*	11/2019	Yu	D23/238
D868,213	S	*	11/2019	Hoogendoorn	D23/238
D873,968	S	*	1/2020	Bahler	D23/255

OTHER PUBLICATIONS

GE Faucet 1, announced Date unavailable [online], [site visited Jul. 22, 2020]. Available from internet, URL:<<https://www.totousa.com/ge-single-handle-faucet-12-gpm>> (Year: 2020).*

* cited by examiner

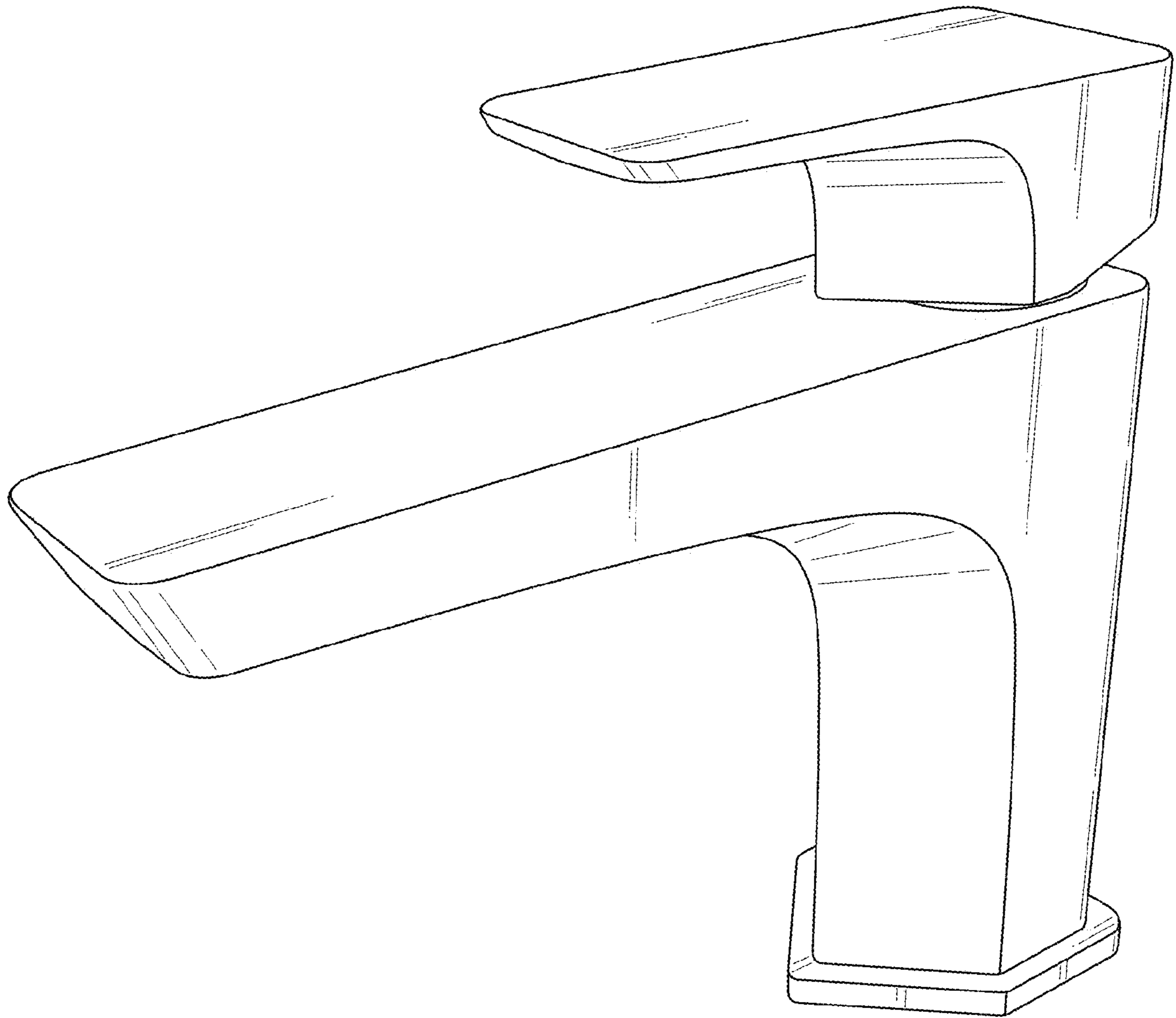


FIG. 1

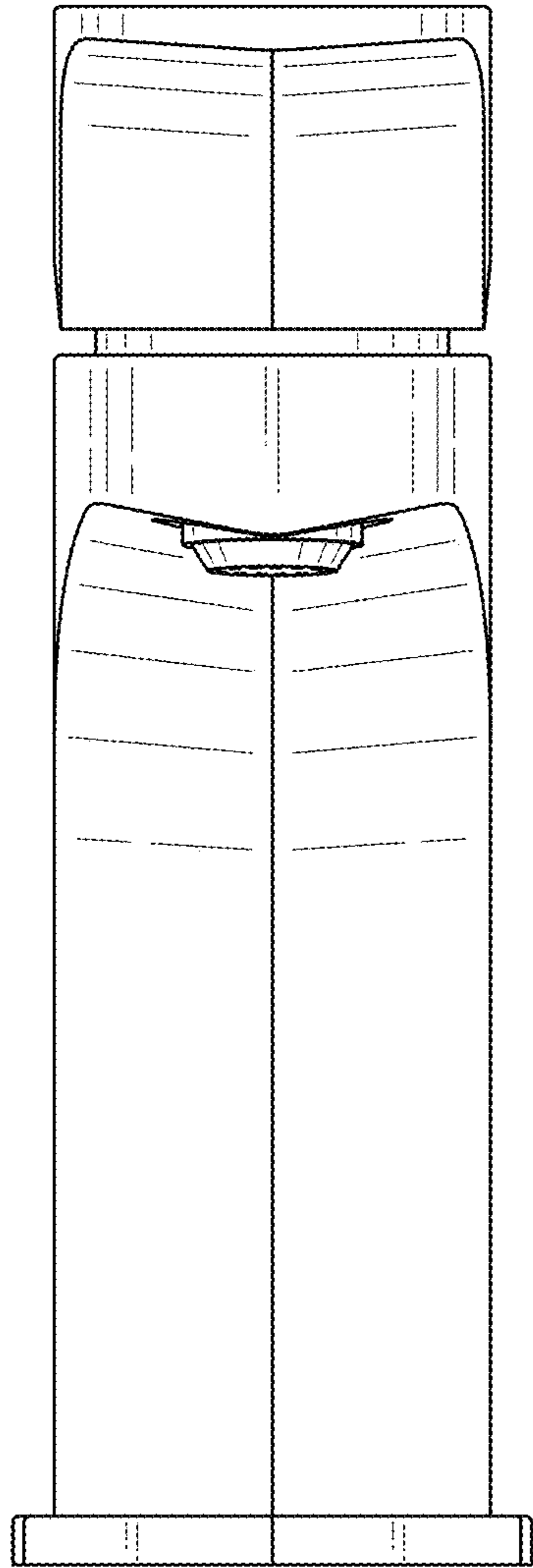


FIG. 2

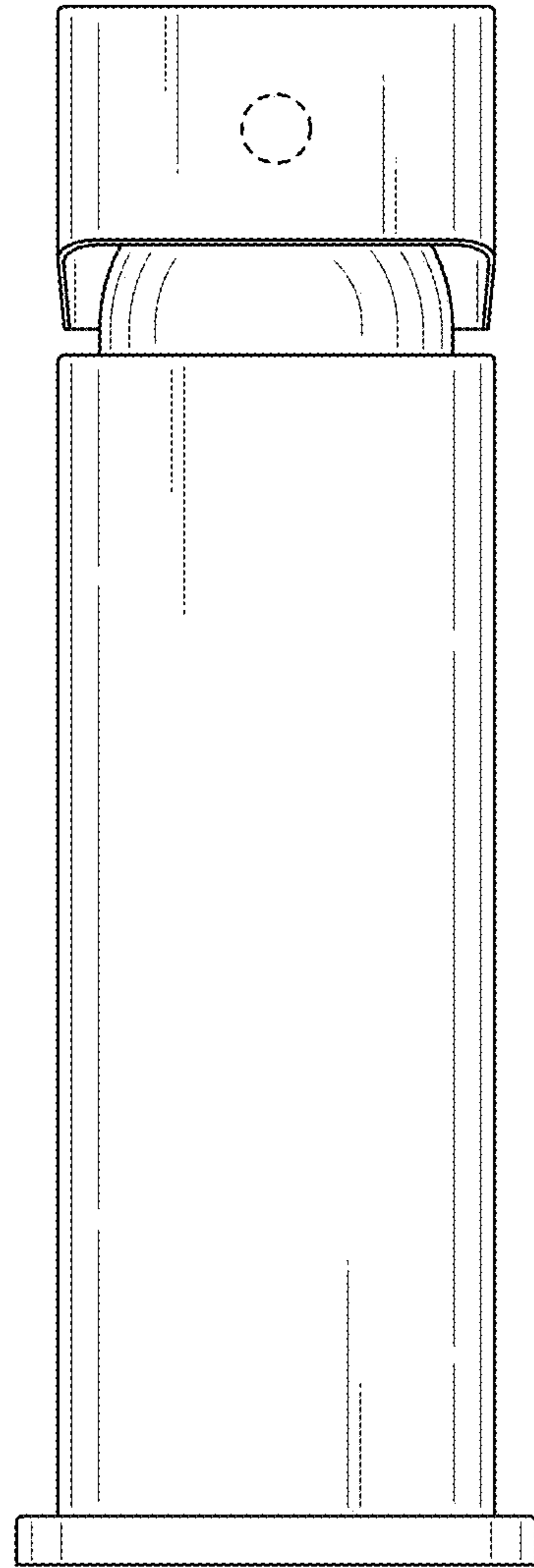


FIG. 3

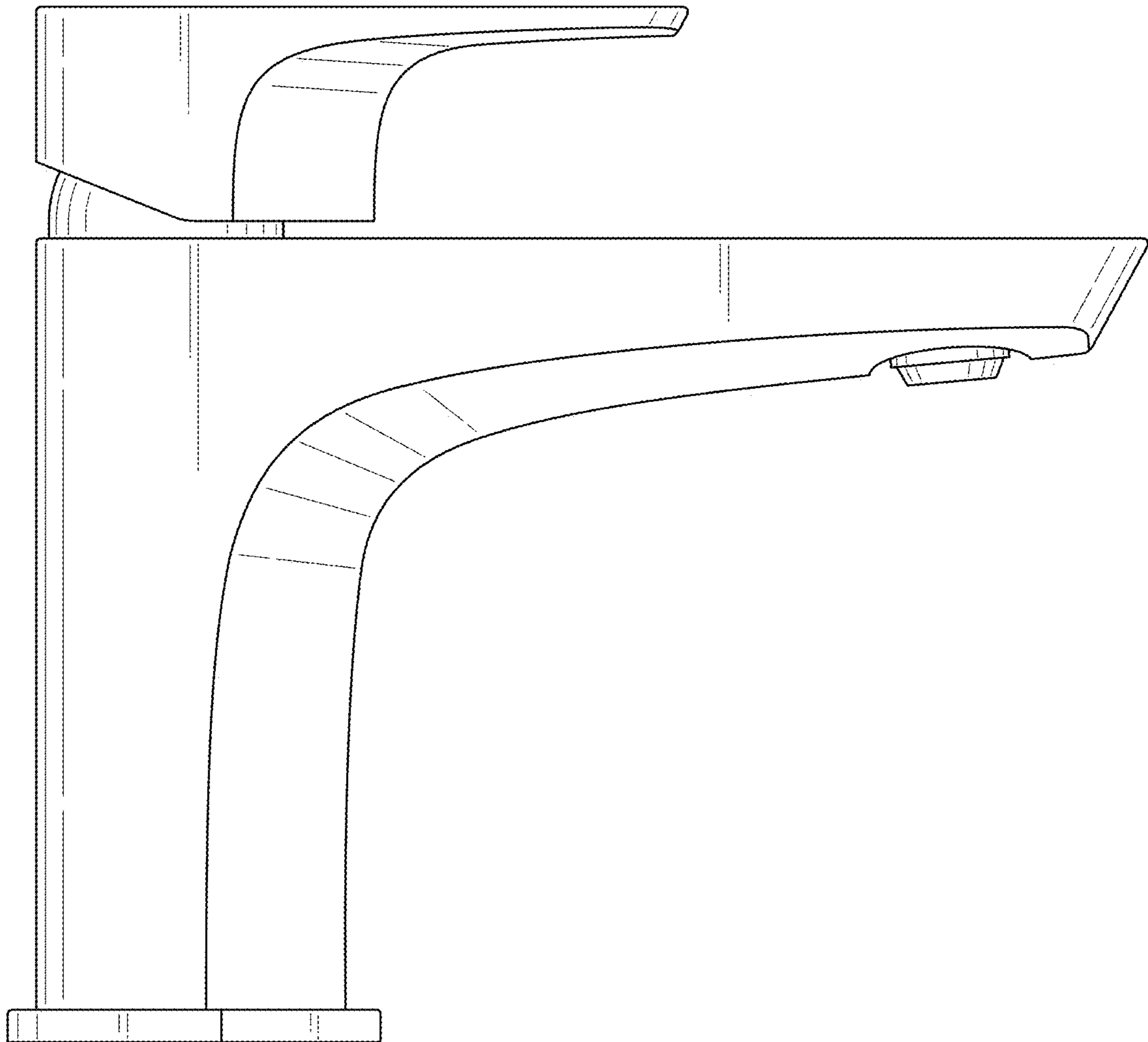


FIG. 4

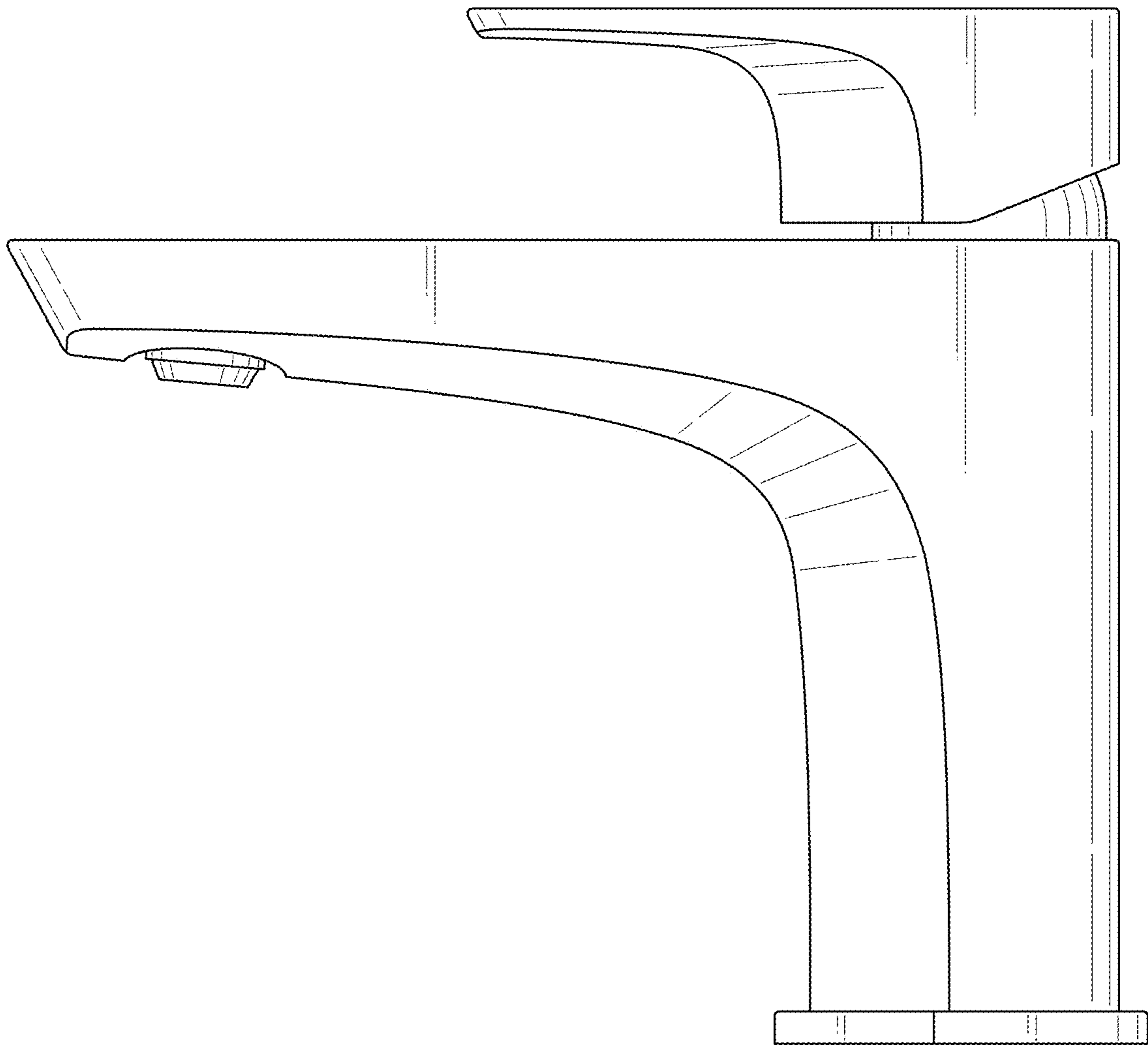


FIG. 5

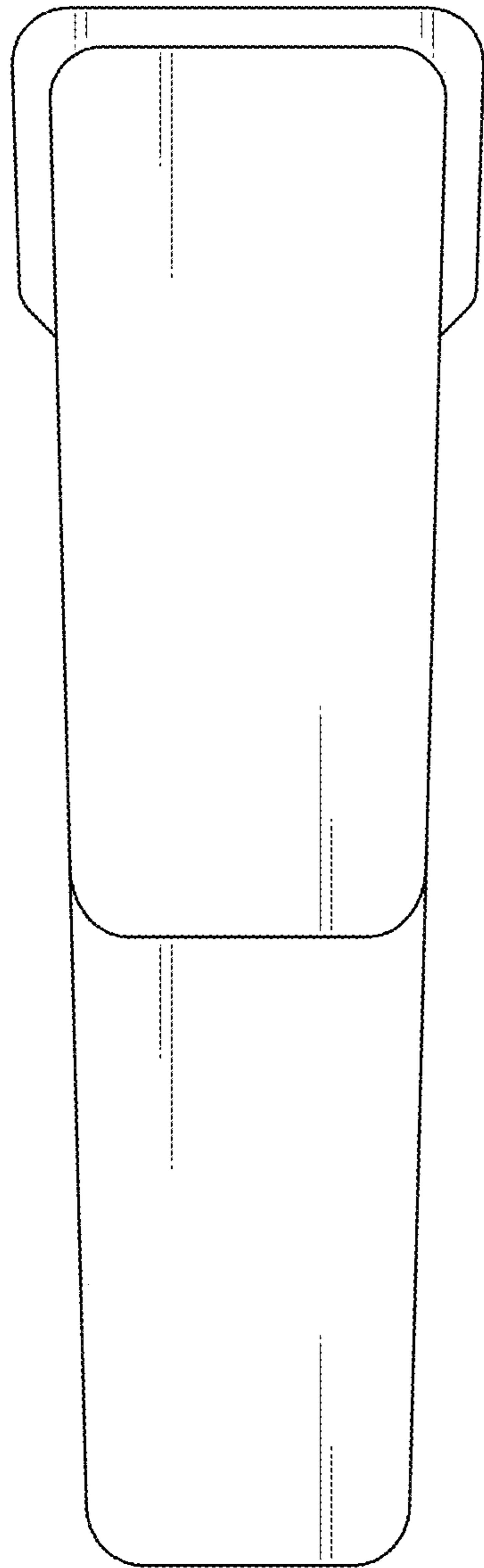


FIG. 6

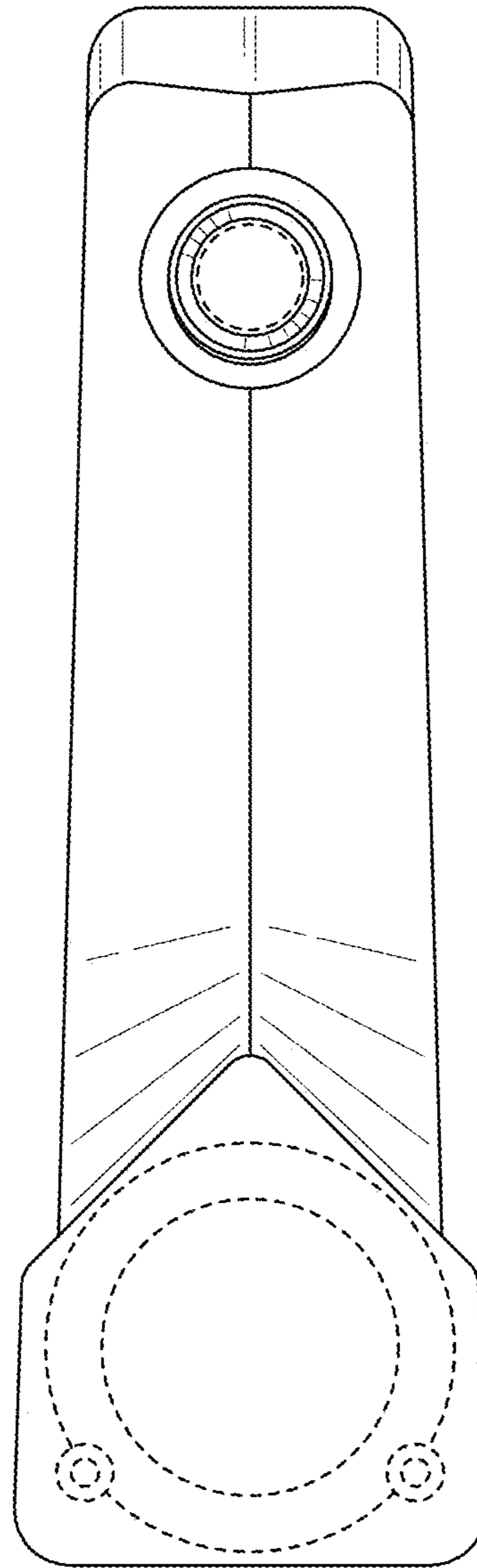


FIG. 7