



US00D900968S

(12) **United States Design Patent** (10) **Patent No.:** **US D900,968 S**
Garland et al. (45) **Date of Patent:** **** Nov. 3, 2020**

(54) **FAUCET**
(71) Applicant: **DELTA FAUCET COMPANY**,
Indianapolis, IN (US)
(72) Inventors: **Celine Kwok Garland**, Zionsville, IN
(US); **Thad Eads**, Urbana, IN (US)
(73) Assignee: **DELTA FAUCET COMPANY**,
Indianapolis, IN (US)
(**) Term: **15 Years**
(21) Appl. No.: **29/680,731**
(22) Filed: **Feb. 19, 2019**
(51) **LOC (12) Cl.** **23-01**
(52) **U.S. Cl.**
USPC **D23/238**
(58) **Field of Classification Search**
USPC D23/238-242, 254, 255, 257
CPC F16K 11/078
See application file for complete search history.

D841,129 S * 2/2019 Garland D23/238
D870,242 S * 12/2019 Eads D23/238
D874,614 S * 2/2020 Lazarini D23/238

FOREIGN PATENT DOCUMENTS

CA 147601 * 10/2012

OTHER PUBLICATIONS

Single Handle Faucet, Date unavailable [online], [site visited Jul. 15, 2020]. Available from internet, URL:<<https://www.deltafaucet.com/bathroom/product/556-BLMPU-LHP-DST--H561BL>> (Year: 2020).*
One Handle Faucet, announced May 29, 2009[online], [site visited Jul. 15, 2020]. Available from internet, URL:<<https://www.amazon.com/Moen-66600-Brantford-One-Handle-Bathroom/dp/B002C67QRK>> (Year: 2009).*

* cited by examiner

Primary Examiner — Barbara Fox
Assistant Examiner — Jamaal Rasheed
(74) *Attorney, Agent, or Firm* — Nirav D. Parikh; Edgar A. Zarins

(56) **References Cited**

U.S. PATENT DOCUMENTS

D409,726 S * 5/1999 Formgren D23/238
D471,254 S * 3/2003 Bonnell D23/238
D551,323 S * 9/2007 Krumpe D23/238
D566,817 S * 4/2008 Isaacs D23/255
D569,950 S * 5/2008 Williams D23/238
D572,798 S * 7/2008 Bickler D23/238
D578,613 S * 10/2008 Williams D23/238
D583,439 S * 12/2008 Spangler D23/238
D609,308 S * 2/2010 Fritz D23/238
D620,559 S * 7/2010 Romero D23/238
D644,301 S * 8/2011 Flowers D23/238
D654,568 S * 2/2012 Yu D23/238
D752,717 S * 3/2016 Eads D23/238
D773,613 S * 12/2016 Flowers D23/238
9,611,945 B2 * 4/2017 Kemp F16K 31/605
D840,506 S * 2/2019 Garland D23/238

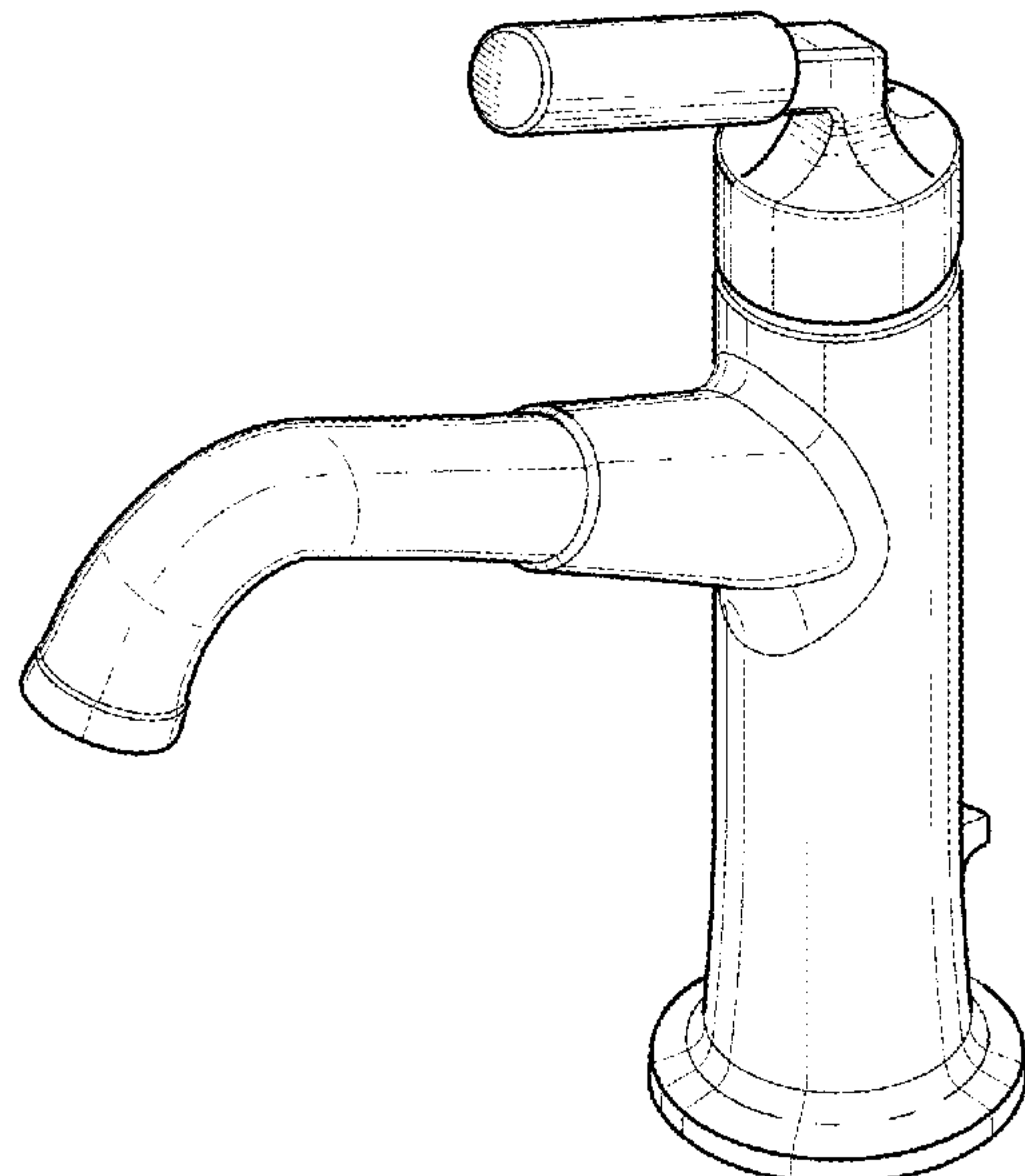
(57) **CLAIM**

The ornamental design for a faucet, as shown and described.

DESCRIPTION

FIG. 1 is a front perspective view of a faucet showing our new design;
FIG. 2 is a rear view thereof;
FIG. 3 is a front elevational view thereof;
FIG. 4 is a left side view thereof;
FIG. 5 is a top plan view thereof; and,
FIG. 6 is a bottom view thereof.
The broken-line disclosure in the view represents a portion of the faucet in which the claimed design is embodied, but which forms no part of the claimed design.

1 Claim, 3 Drawing Sheets



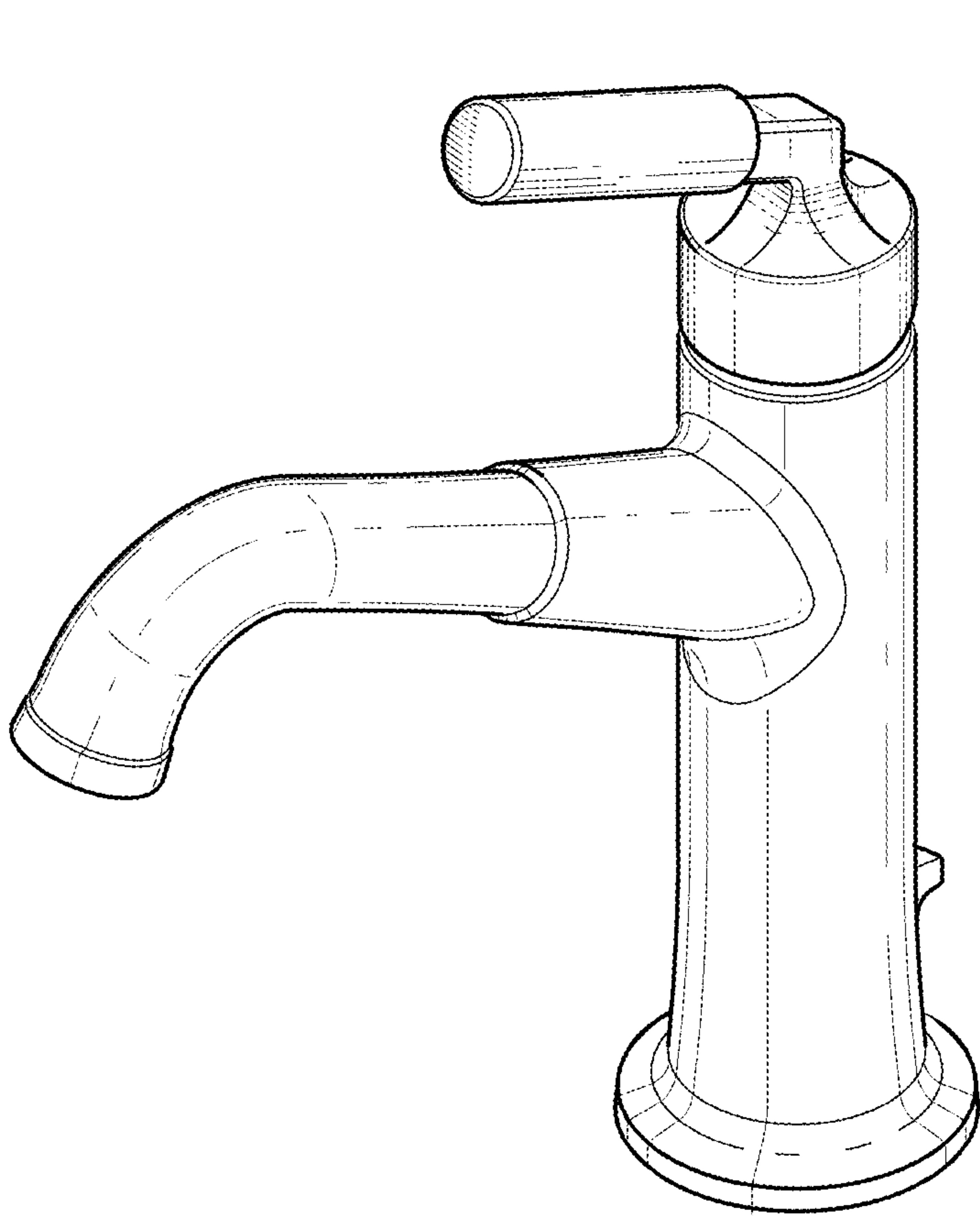


Fig-1

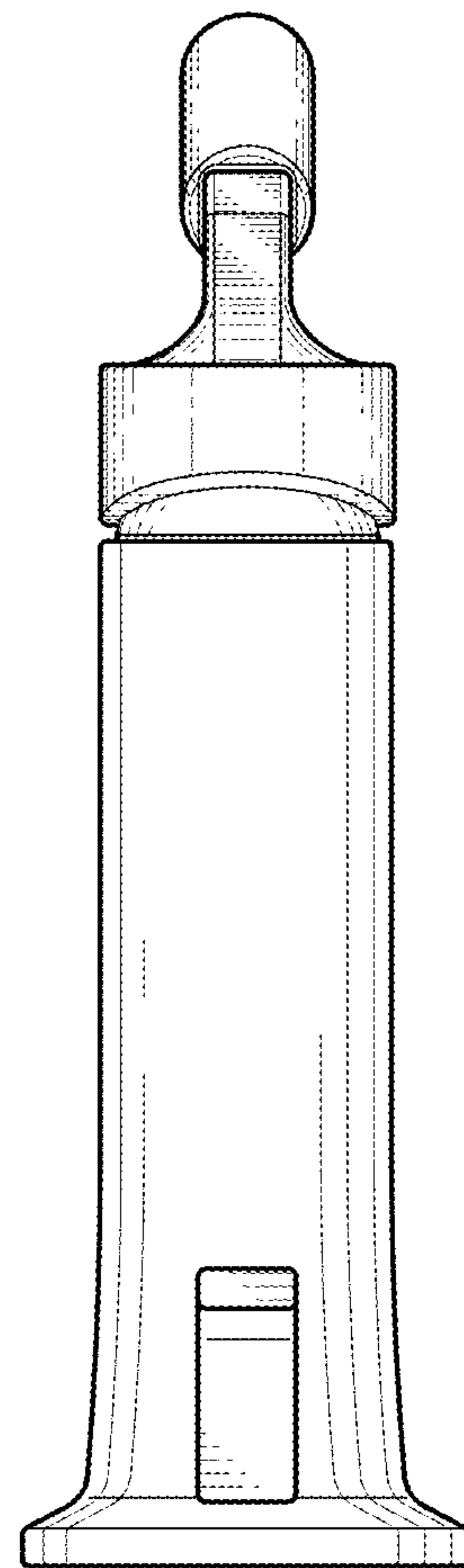


Fig-2

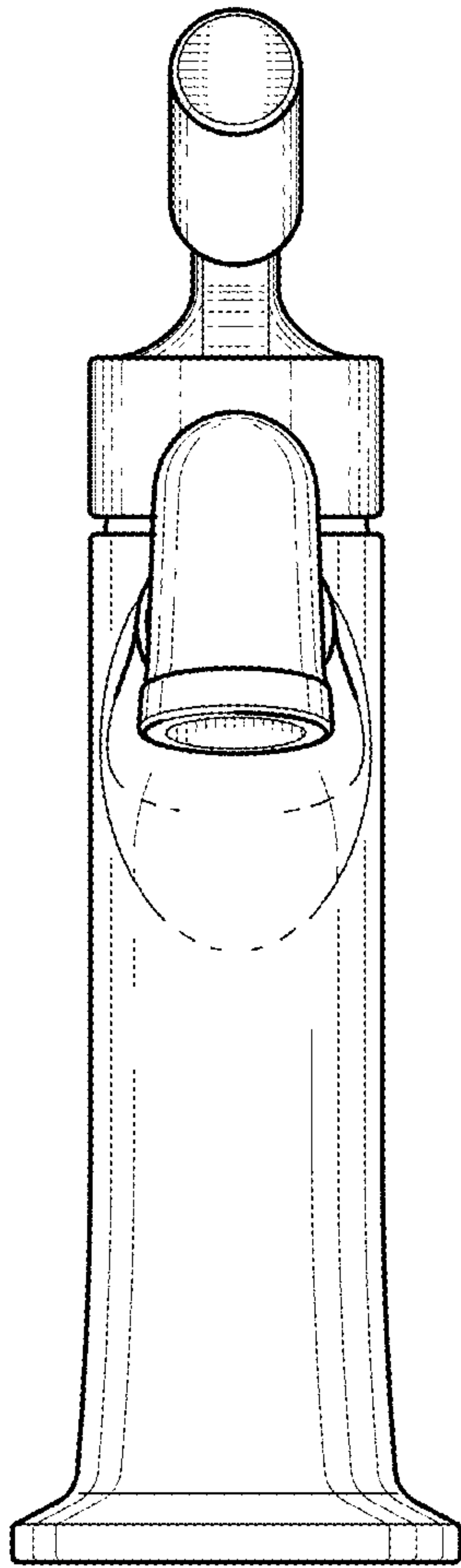


Fig-3

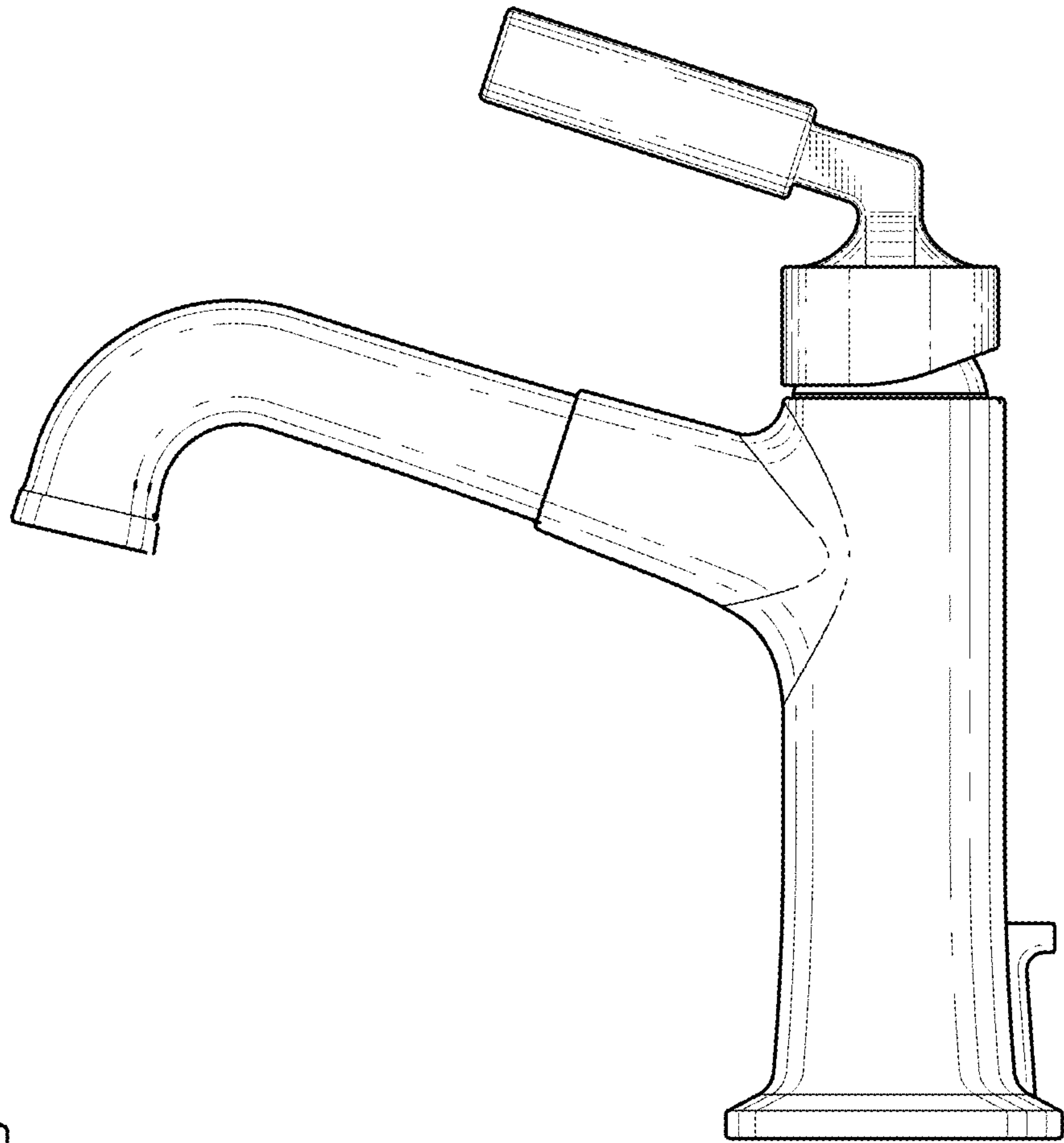


Fig-4

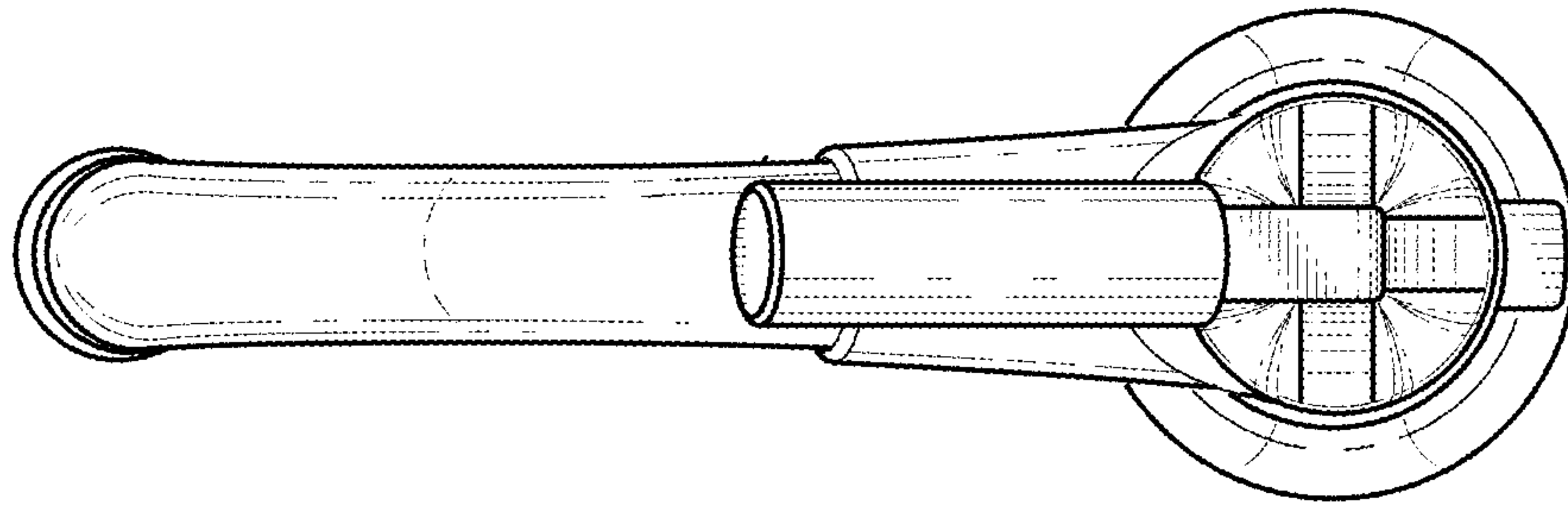


Fig-5

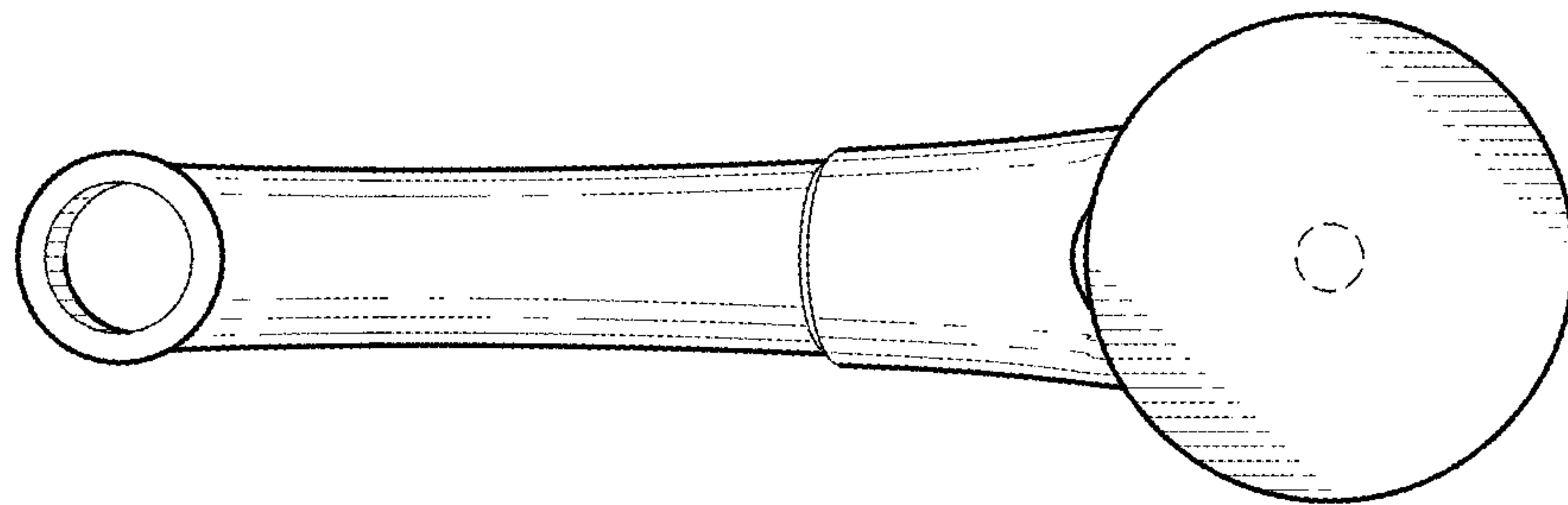


Fig-6