



US00D900967S

(12) **United States Design Patent**
Poskin et al.

(10) **Patent No.:** **US D900,967 S**
(45) **Date of Patent:** **** Nov. 3, 2020**

- (54) **WATER HYDRANT**
- (71) Applicant: **Prier Products, Inc.**, Grandview, MO (US)
- (72) Inventors: **Joseph E. Poskin**, Prairie Village, KS (US); **Scott P. Brady**, Lake Winnebago, MO (US); **William C. Seitter**, Overland Park, KS (US)
- (73) Assignee: **Prier Products, Inc.**, Grandview, MO (US)
- (**) Term: **15 Years**
- (21) Appl. No.: **29/687,714**
- (22) Filed: **Apr. 15, 2019**
- (51) **LOC (12) Cl.** **23-01**
- (52) **U.S. Cl.**
USPC **D23/234**
- (58) **Field of Classification Search**
USPC D23/245, 248, 233, 213, 249, 223–226, D23/234; 239/525–527; 137/614.2, 301, 137/360, 218; D10/96
CPC E03B 9/02; E03B 9/14; E03B 9/04; A62C 35/20; F16K 24/02; F16K 27/006; F16K 35/022; F16K 35/027; F16K 3/26; F16K 11/0853; F16K 5/0407; F16K 5/12
See application file for complete search history.

- 5,632,303 A * 5/1997 Almasy E03B 9/02 137/218
- D384,300 S * 9/1997 Hendy D10/96
- D482,431 S * 11/2003 Ball D23/234
- 7,100,637 B1 * 9/2006 Ball E03B 9/025 137/218
- 7,111,875 B2 * 9/2006 Ball E03C 1/042 137/360
- 7,896,024 B2 * 3/2011 Korb E03B 9/025 137/218

* cited by examiner

Primary Examiner — Gino Colan

(74) *Attorney, Agent, or Firm* — Erickson Kernell IP, LLC

(57) **CLAIM**

The ornamental design for a water hydrant, as shown and described.

DESCRIPTION

FIG. 1 is a front perspective view of an ornamental design for a water hydrant;
 FIG. 2 is a rear perspective view thereof;
 FIG. 3 is a front view thereof;
 FIG. 4 is a rear view thereof;
 FIG. 5 is a left side view thereof;
 FIG. 6 is a right side view thereof;
 FIG. 7 is a top view of thereof; and,
 FIG. 8 is a bottom view thereof.

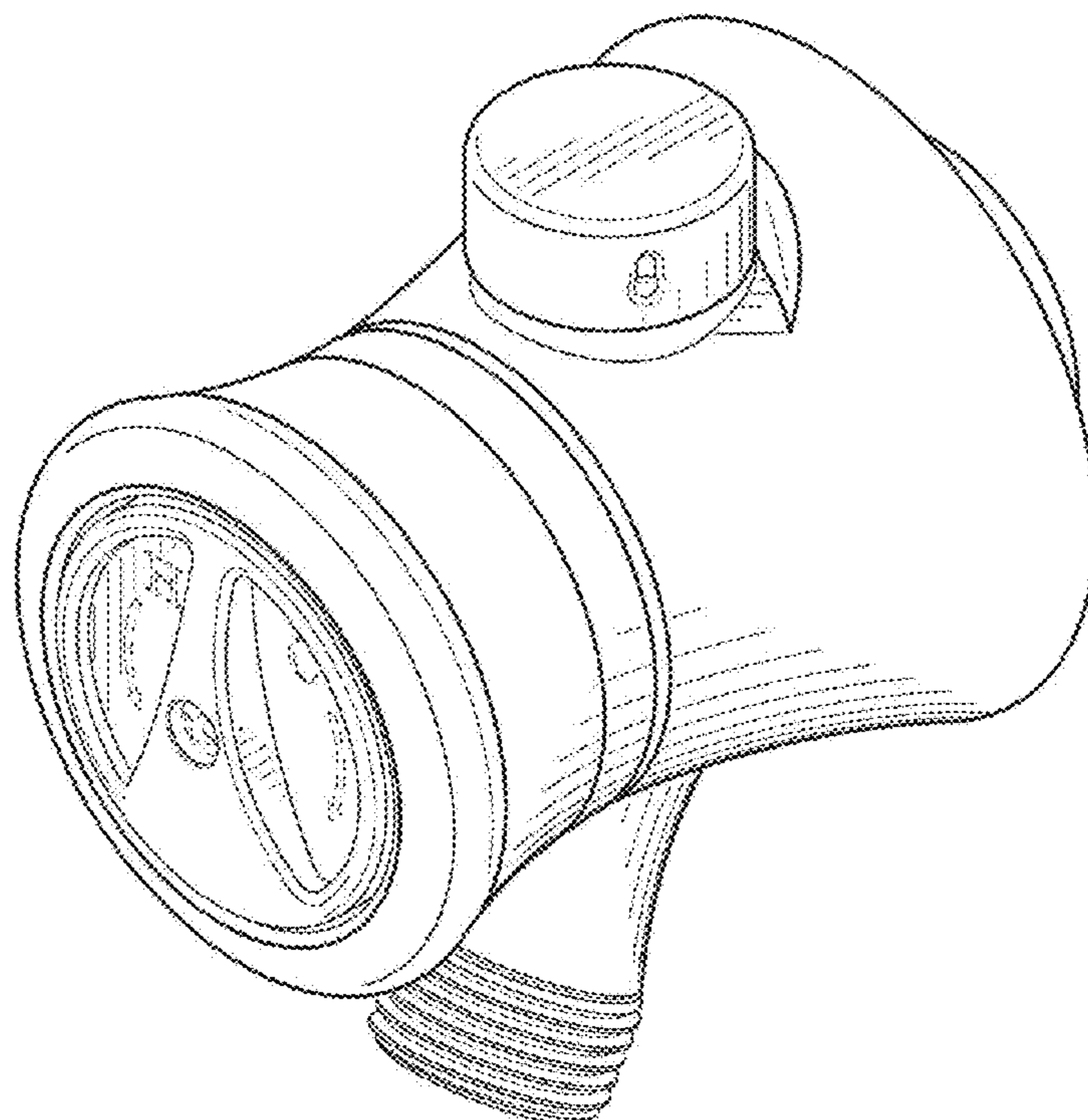
The broken lines in the Figures are for the purpose of illustrating portions of the water hydrant and form no part of the claimed design.

(56) **References Cited**

U.S. PATENT DOCUMENTS

- D326,898 S * 6/1992 Enterante, Sr. D23/238
- 5,590,679 A * 1/1997 Almasy E03B 9/02 137/218

1 Claim, 4 Drawing Sheets



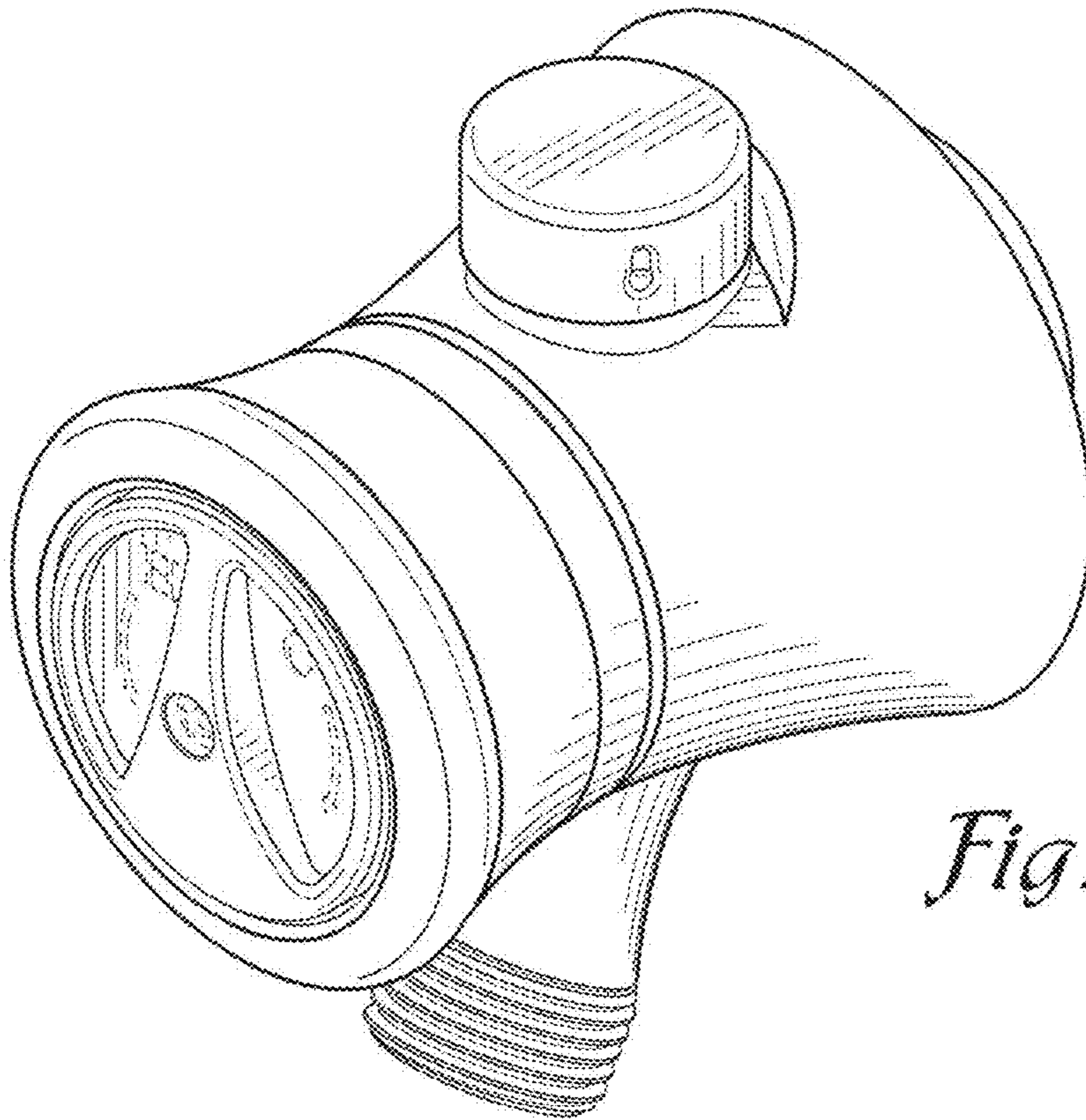


Fig. 1

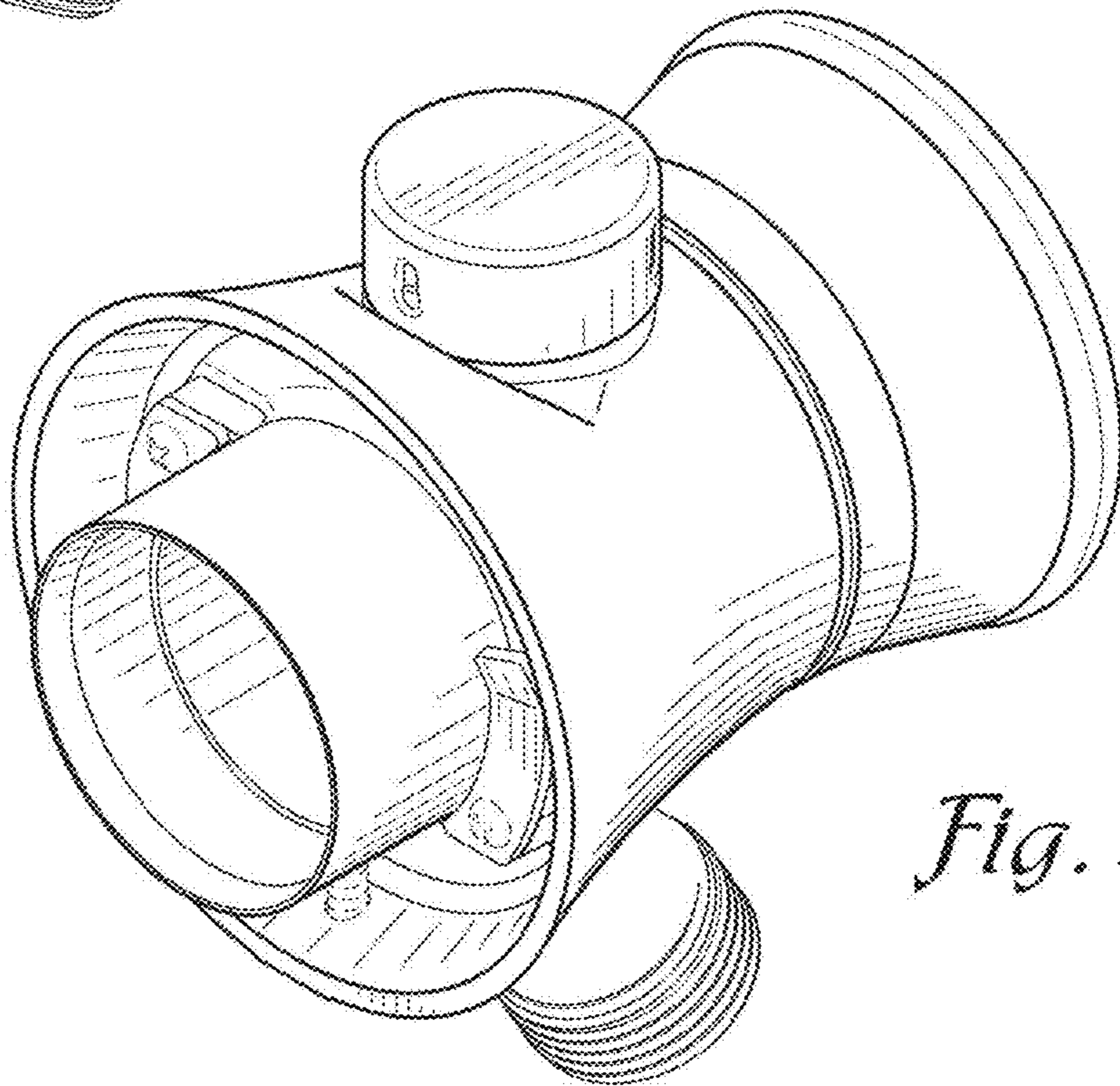


Fig. 2

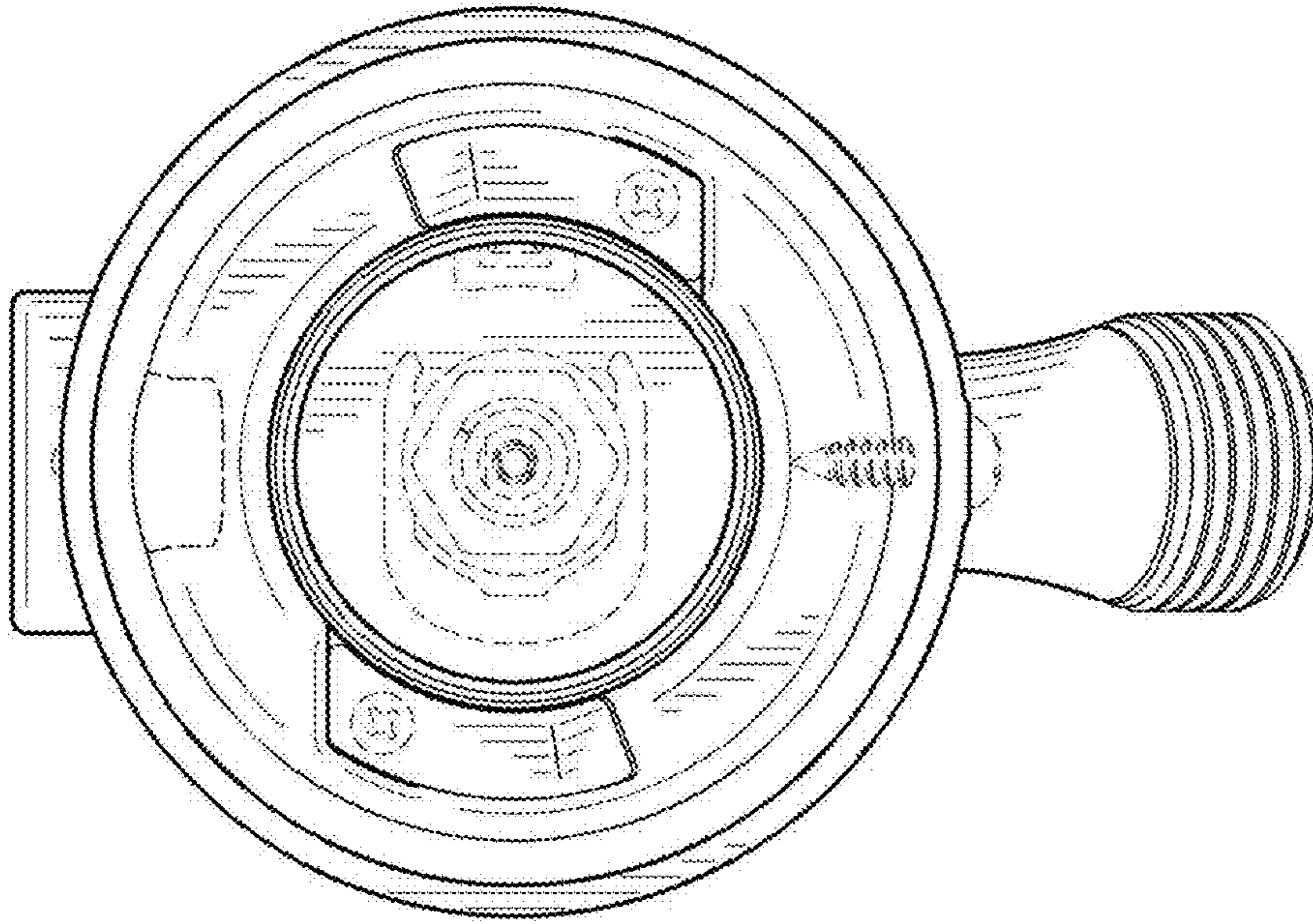


Fig. 4

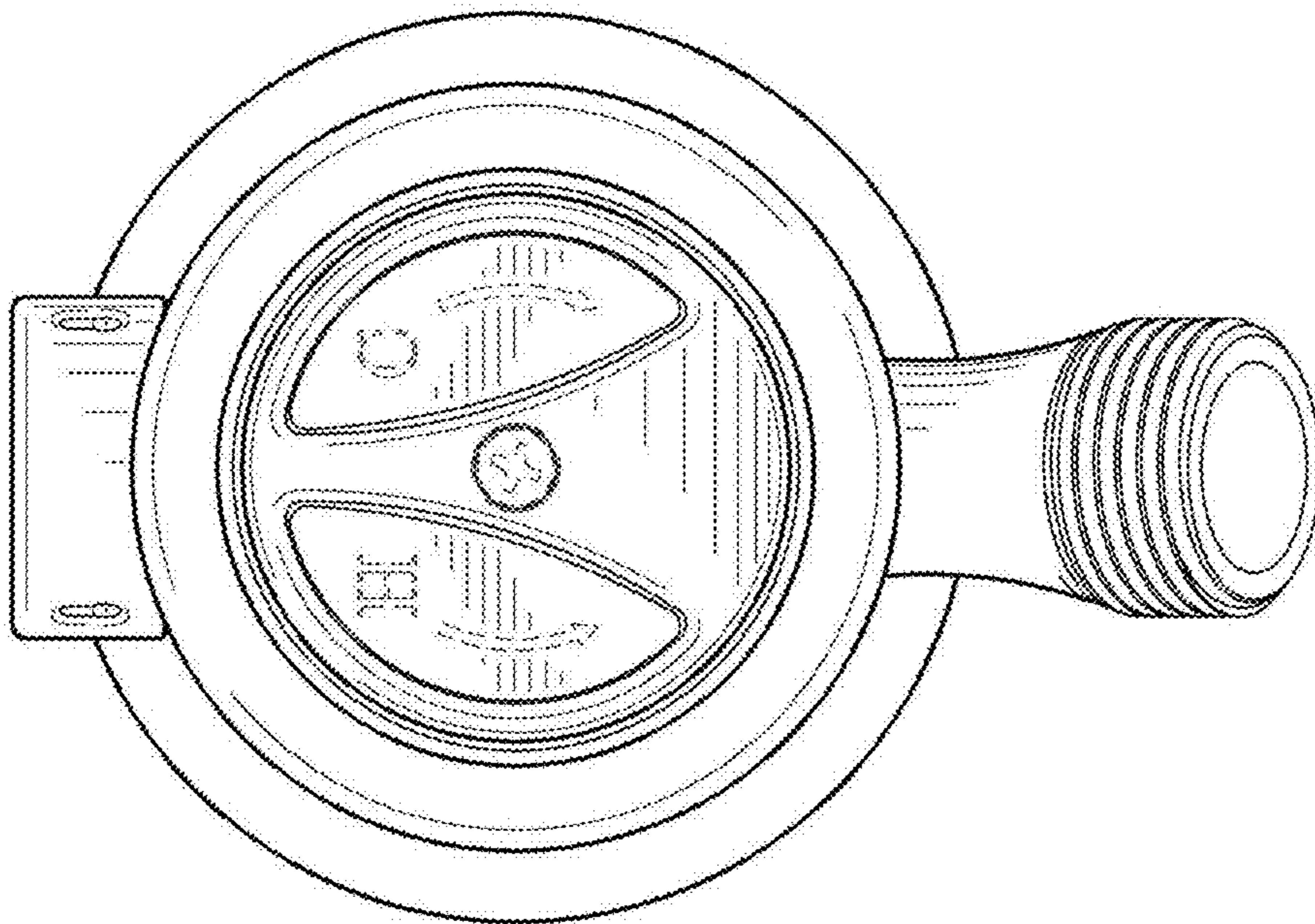


Fig. 3

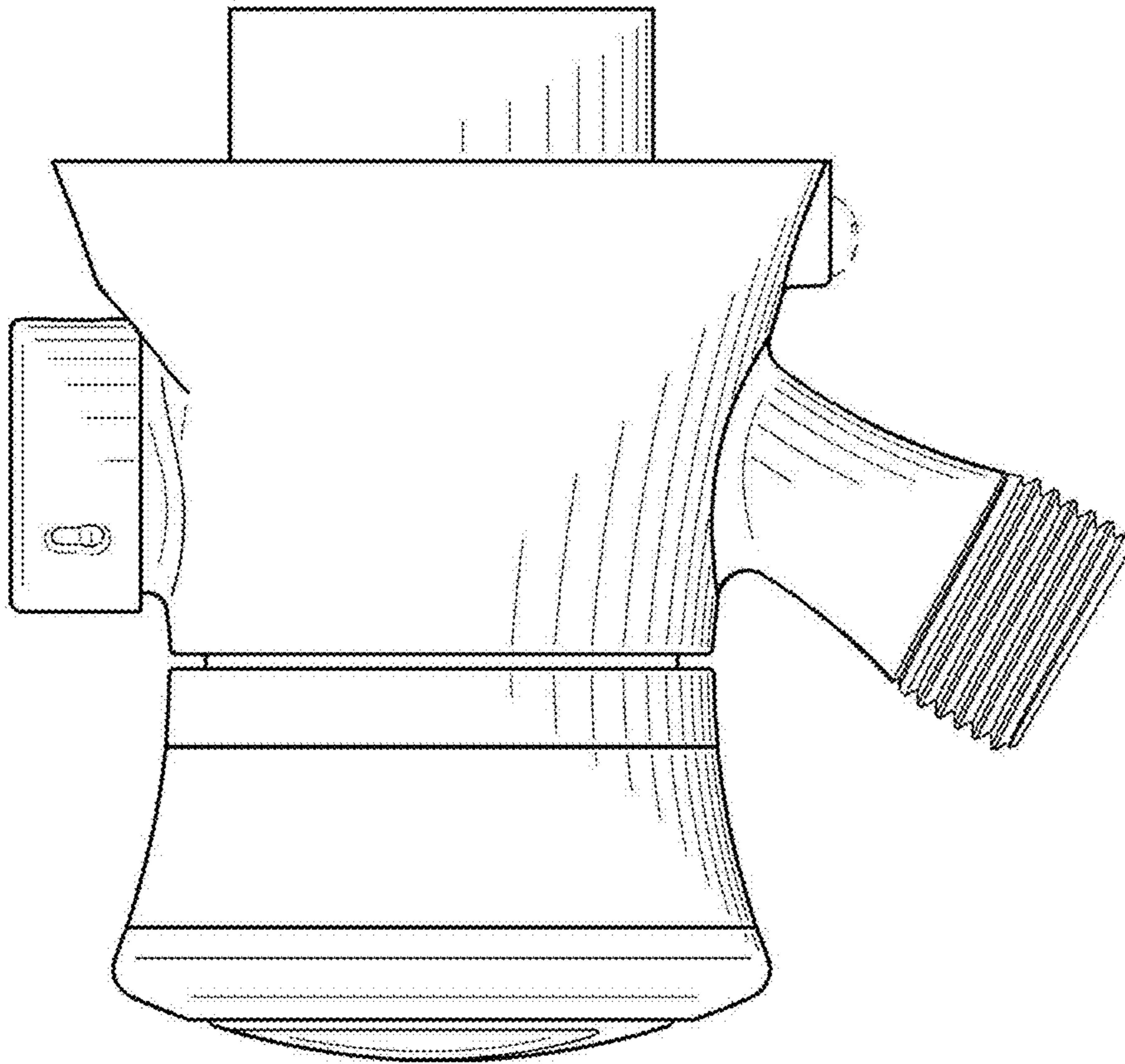


Fig. 6

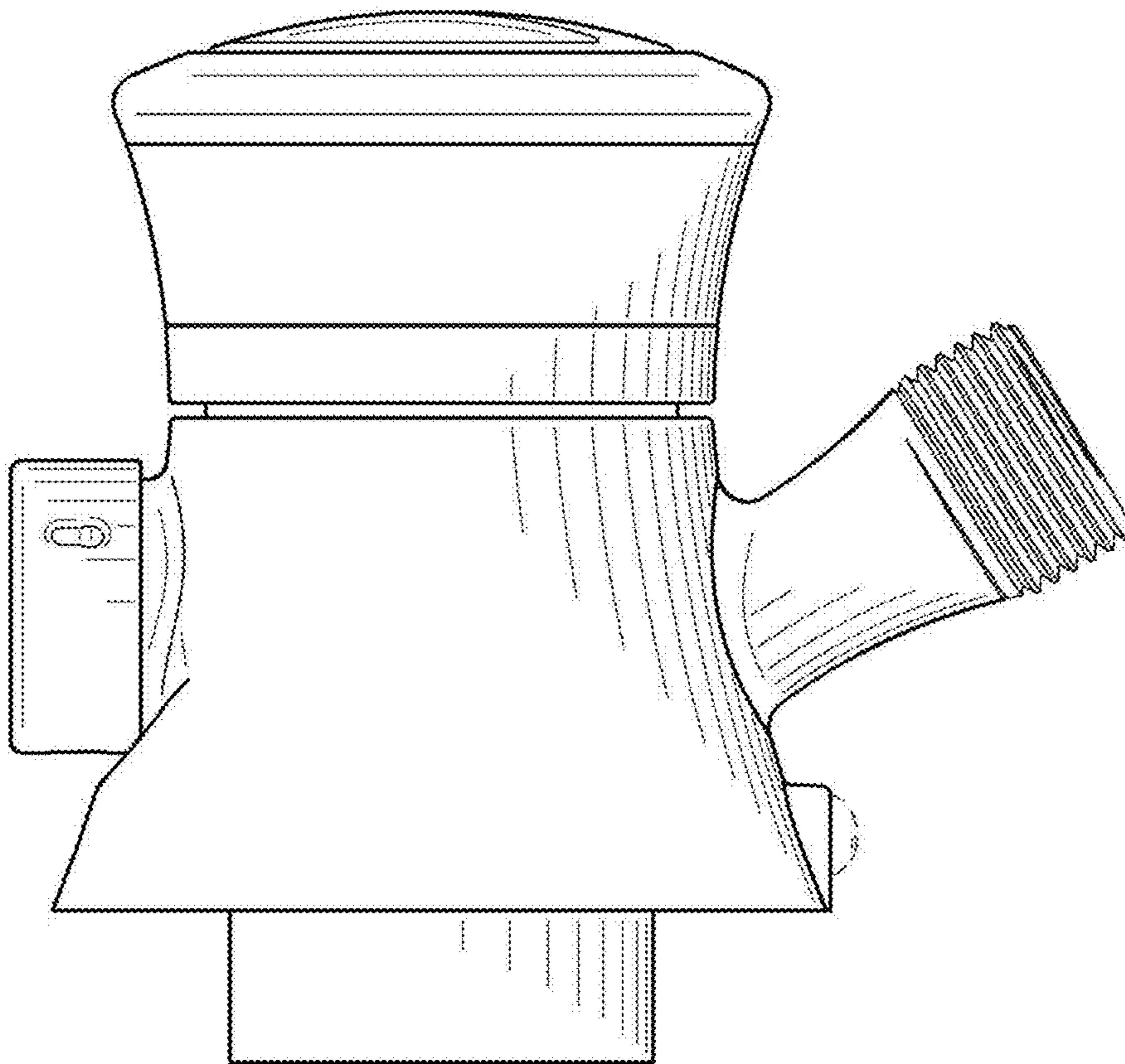


Fig. 5

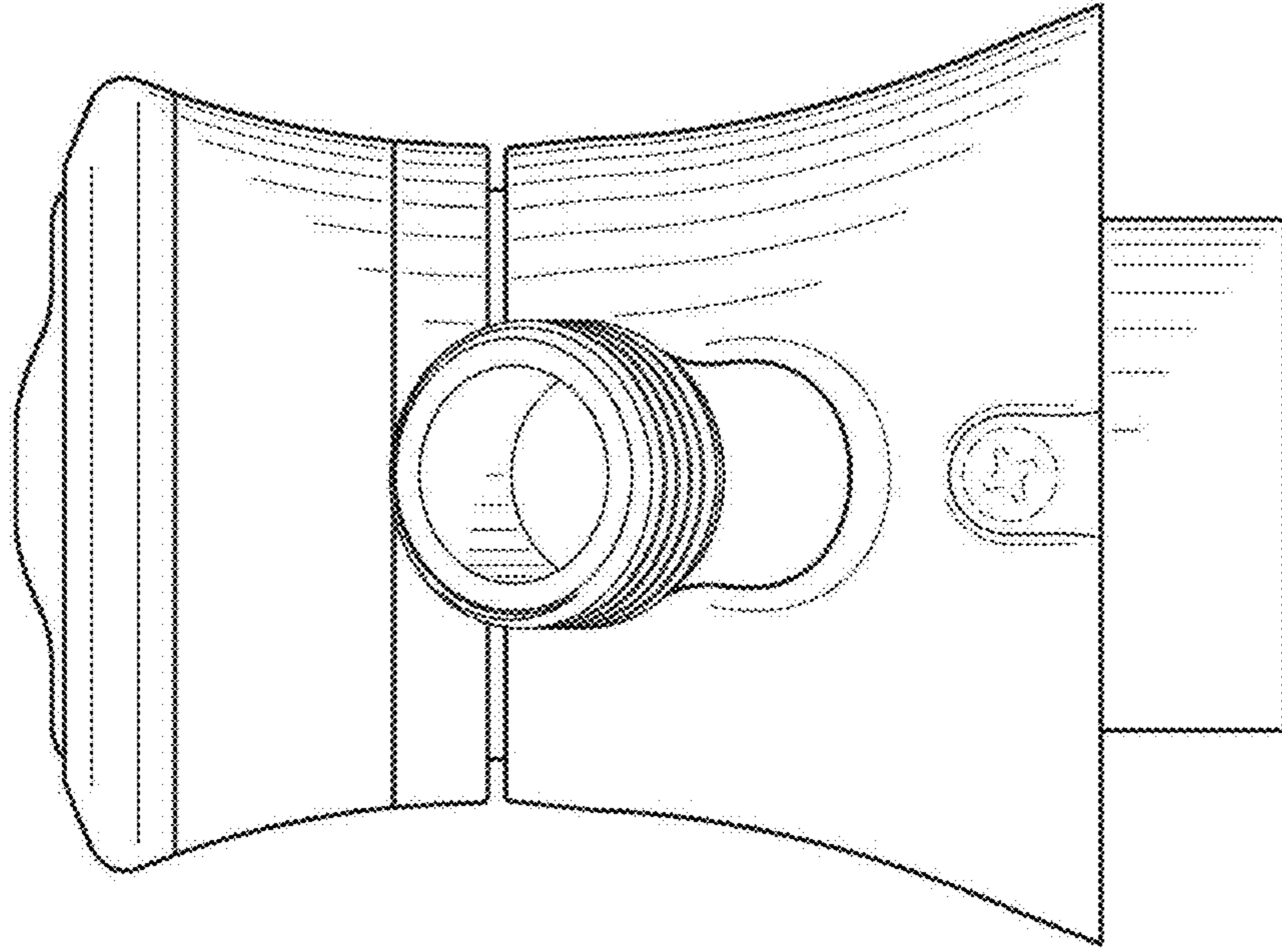


Fig. 7

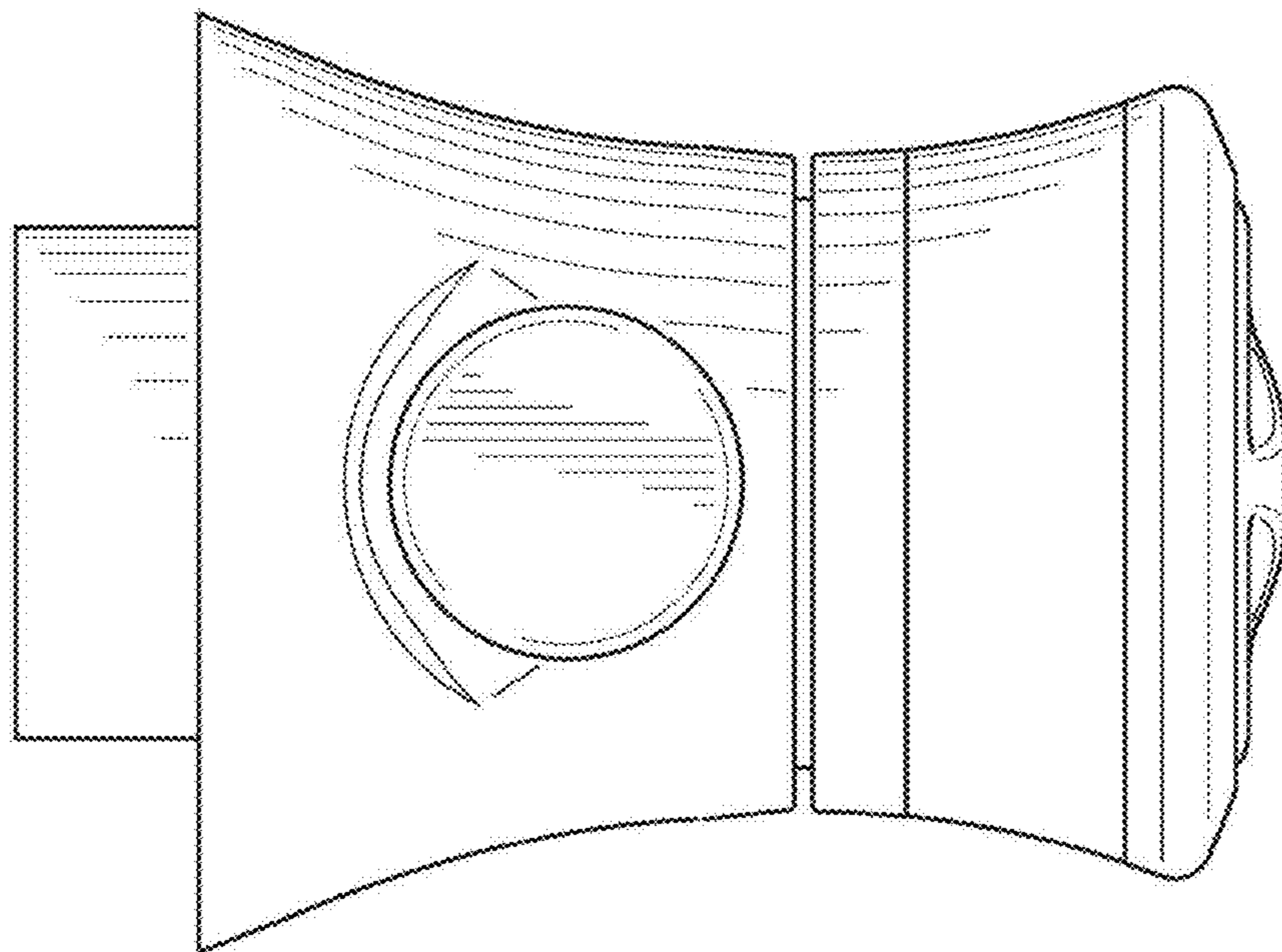


Fig. 8