



US00D900966S

(12) **United States Design Patent** (10) **Patent No.:** **US D900,966 S**
Puusaag et al. (45) **Date of Patent:** **** Nov. 3, 2020**

(54) **NOZZLE FOR POLYURETHANE FOAM GUN**

(71) Applicant: **Krimelte OÜ**, Tallinn (EE)

(72) Inventors: **Jaan Puusaag**, Tallinn (EE); **Veigo Kallaste**, Tallinn (EE); **Mihkel Güsson**, Tallinn (EE); **Tarmo Härmaorg**, Tallinn (EE); **Egert Uibo**, Tallinn (EE)

(73) Assignee: **KRIMELTE OÜ**, Tallinn (EE)

(**) Term: **15 Years**

(21) Appl. No.: **35/506,968**

(22) Filed: **Mar. 6, 2019**

(80) **Hague Agreement Data**

Int. Filing Date: **Mar. 6, 2019**
Int. Reg. No.: **DM/201403**
Int. Reg. Date: **Mar. 6, 2019**
Int. Reg. Pub. Date: **Jun. 21, 2019**

(51) **LOC (12) Cl.** **23-01**

(52) **U.S. Cl.**
USPC **D23/226**

(58) **Field of Classification Search**
USPC D23/225, 226, 227, 229; D8/2
CPC B29B 7/7438; B05B 15/68; B05B 7/0408;
B05B 7/1209; B05B 7/1236; B05B
7/2497

See application file for complete search history.

(56) **References Cited**

U.S. PATENT DOCUMENTS

D294,634 S * 3/1988 Leach D15/138
D313,064 S * 12/1990 Lind D23/226
D698,007 S * 1/2014 Tullney D23/225
D786,402 S * 5/2017 Rose D23/226

D791,916 S * 7/2017 Rose D23/226
D792,557 S * 7/2017 Wang D23/226
D794,755 S * 8/2017 Wang D23/226
D821,545 S * 6/2018 Gehrung D23/226
D835,235 S * 12/2018 Gehrung D23/226
2014/0191066 A1* 7/2014 Hasegawa B05B 15/68
239/587.5
2018/0071757 A1* 3/2018 Bennani B05B 1/3046

* cited by examiner

Primary Examiner — Eliza Z Bennett-Hattan

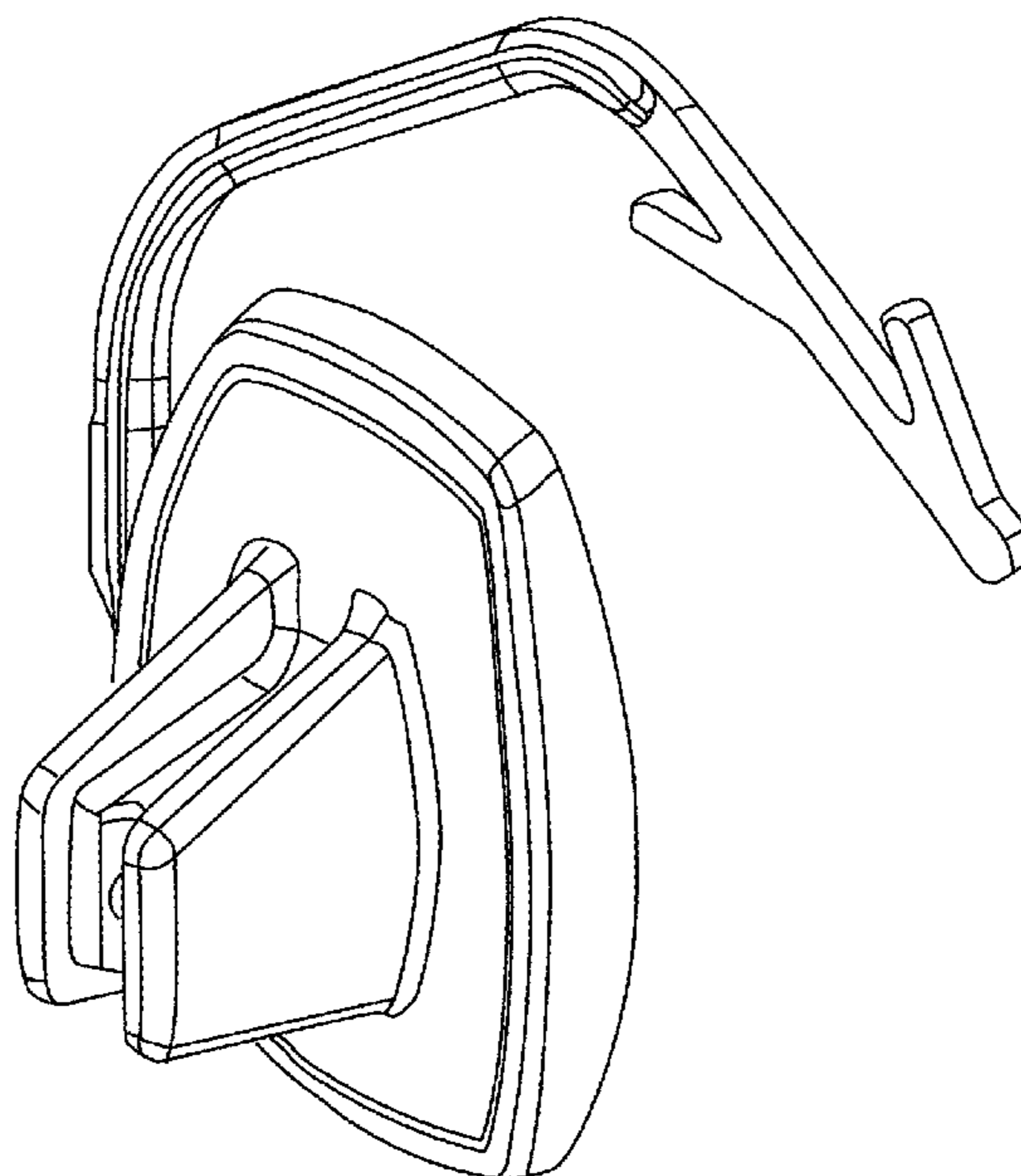
(57) **CLAIM**

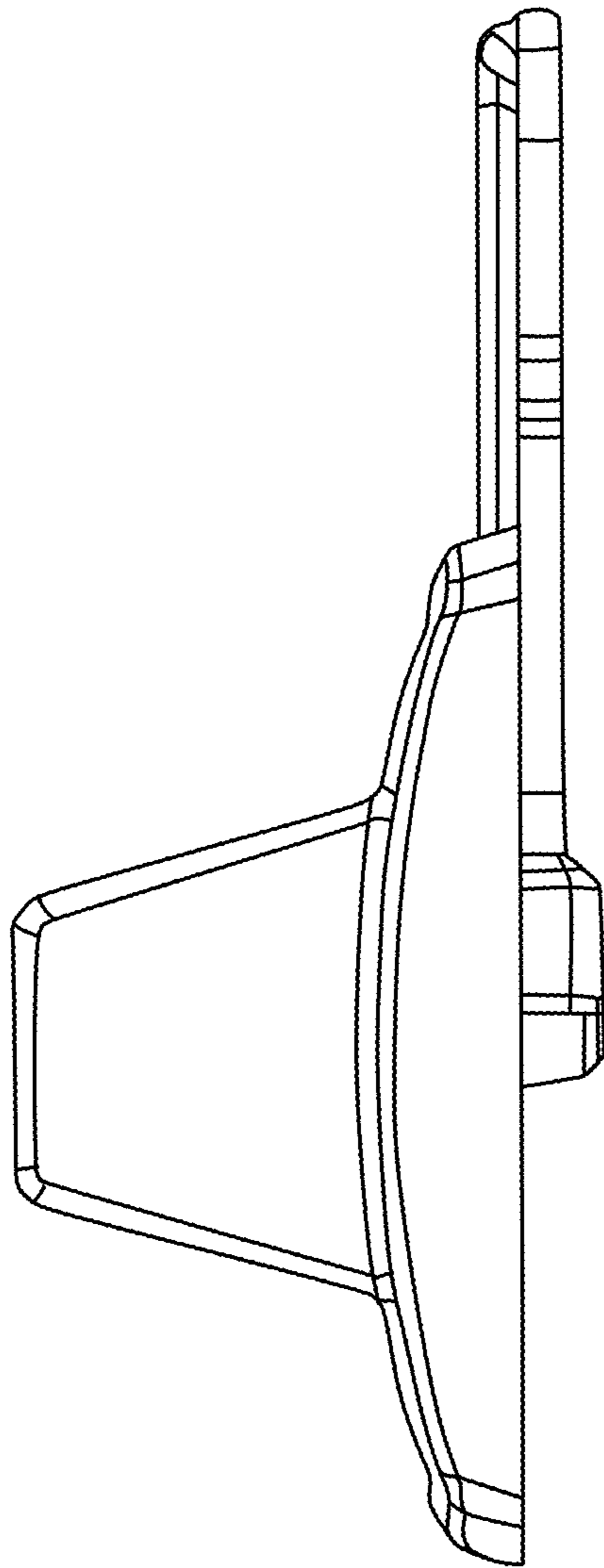
The ornamental design for a nozzle for polyurethane foam gun, as shown and described.

DESCRIPTION

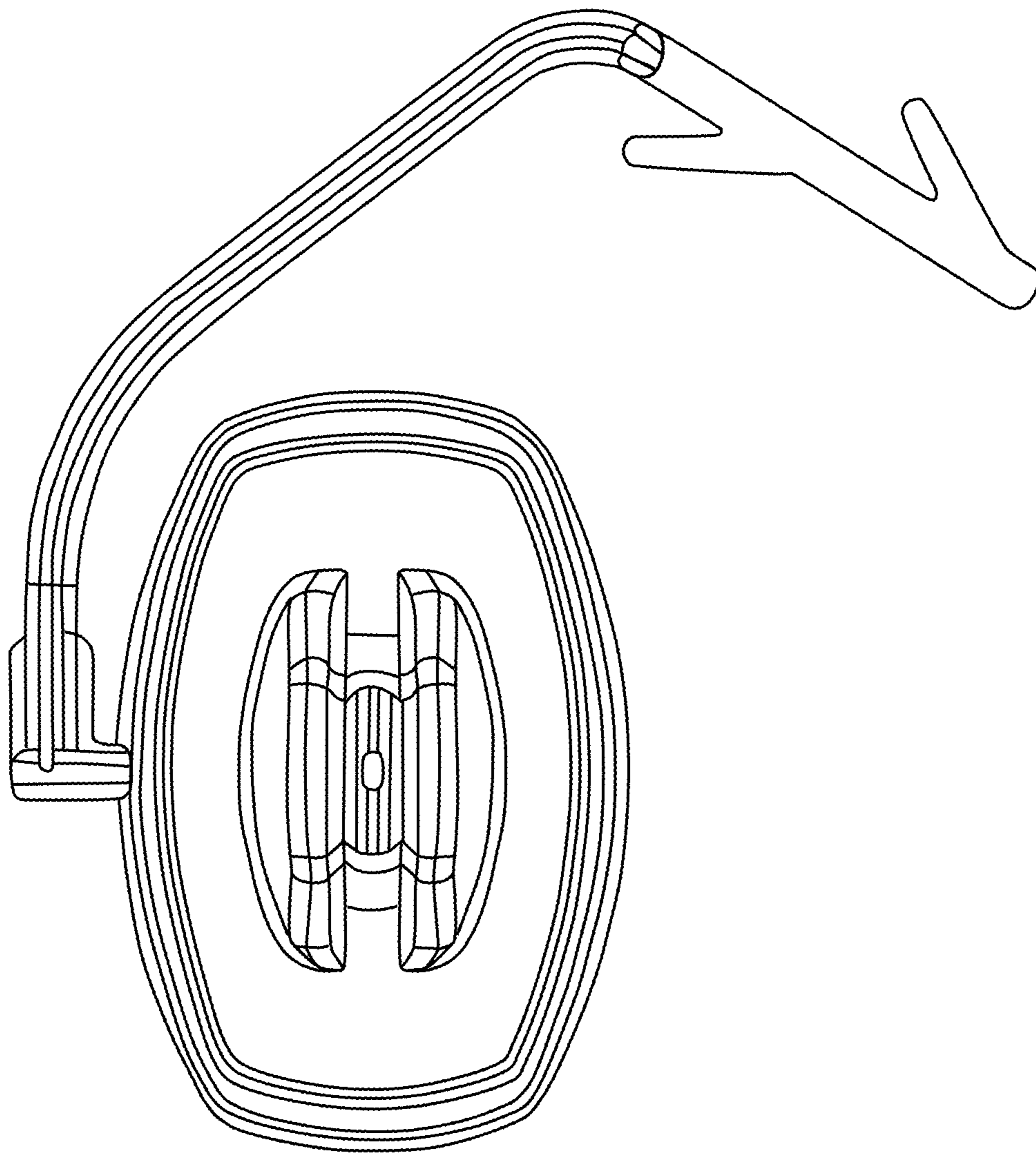
FIG. 1.1 is a right side view of a nozzle for polyurethane foam gun showing our new design;
FIG. 1.2 is a front elevational view thereof;
FIG. 1.3 is a bottom view thereof;
FIG. 1.4 is a left side view thereof;
FIG. 1.5 is a perspective view thereof;
FIG. 1.6 is another perspective view thereof; and
FIG. 1.7 is another perspective view thereof.
The portions of the article shown in broken lines in the drawings form no part of the claimed design.

1 Claim, 7 Drawing Sheets

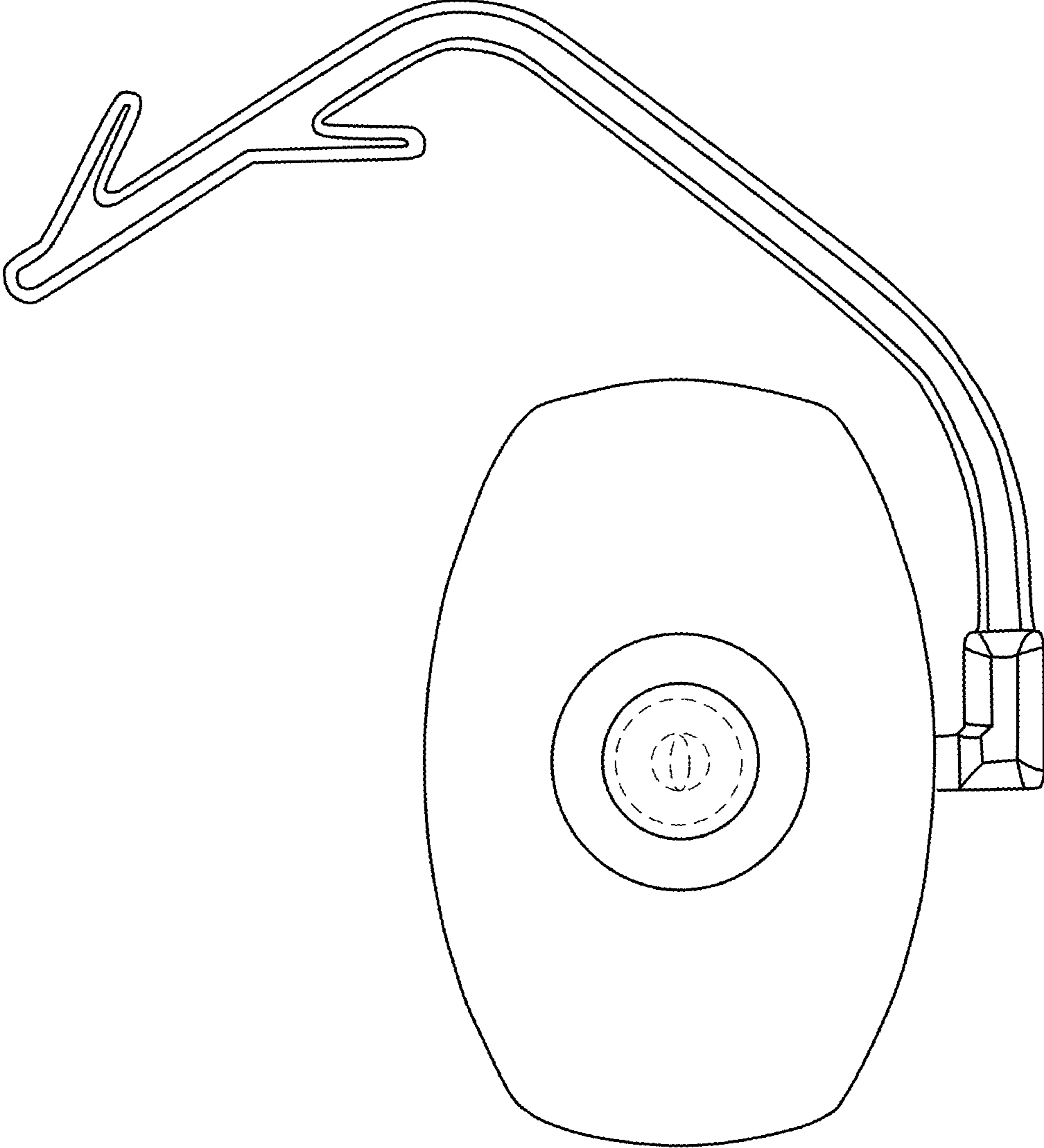




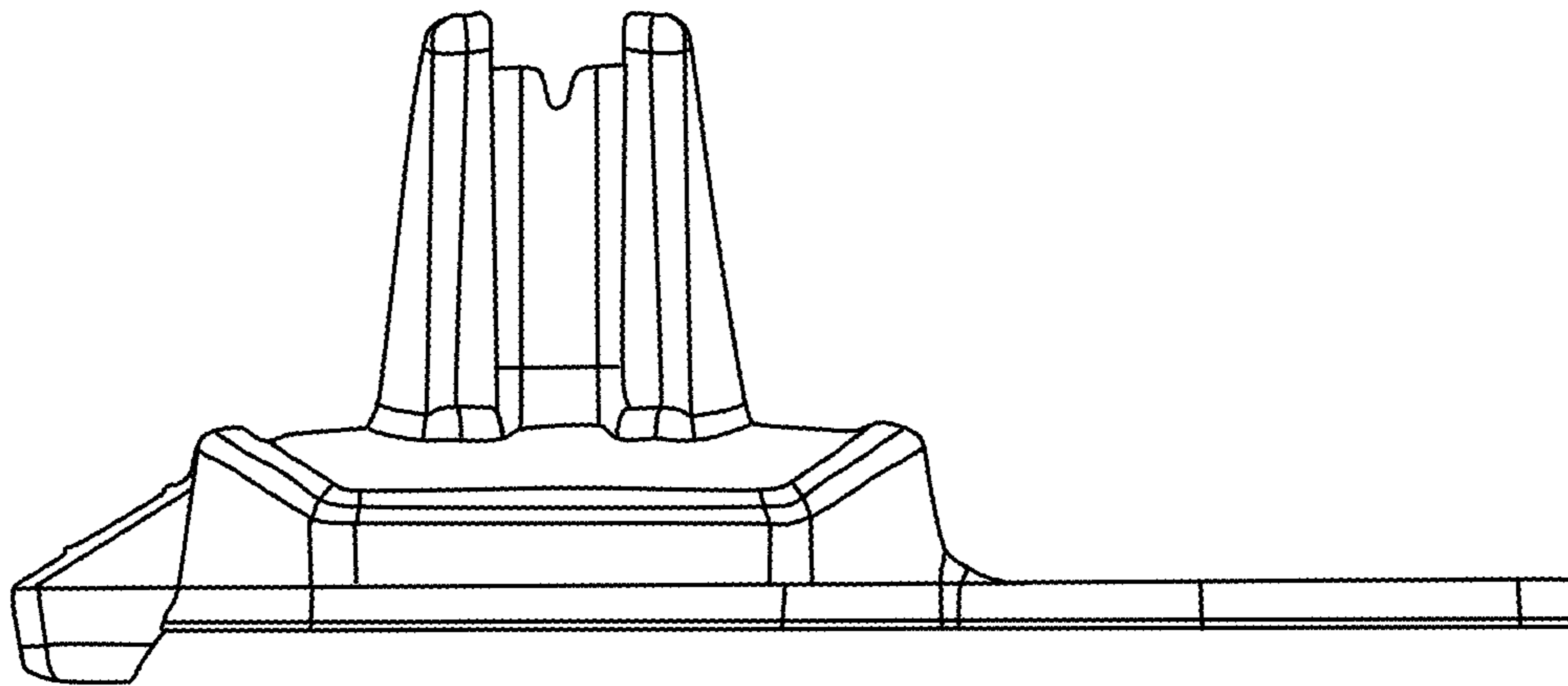
1.1



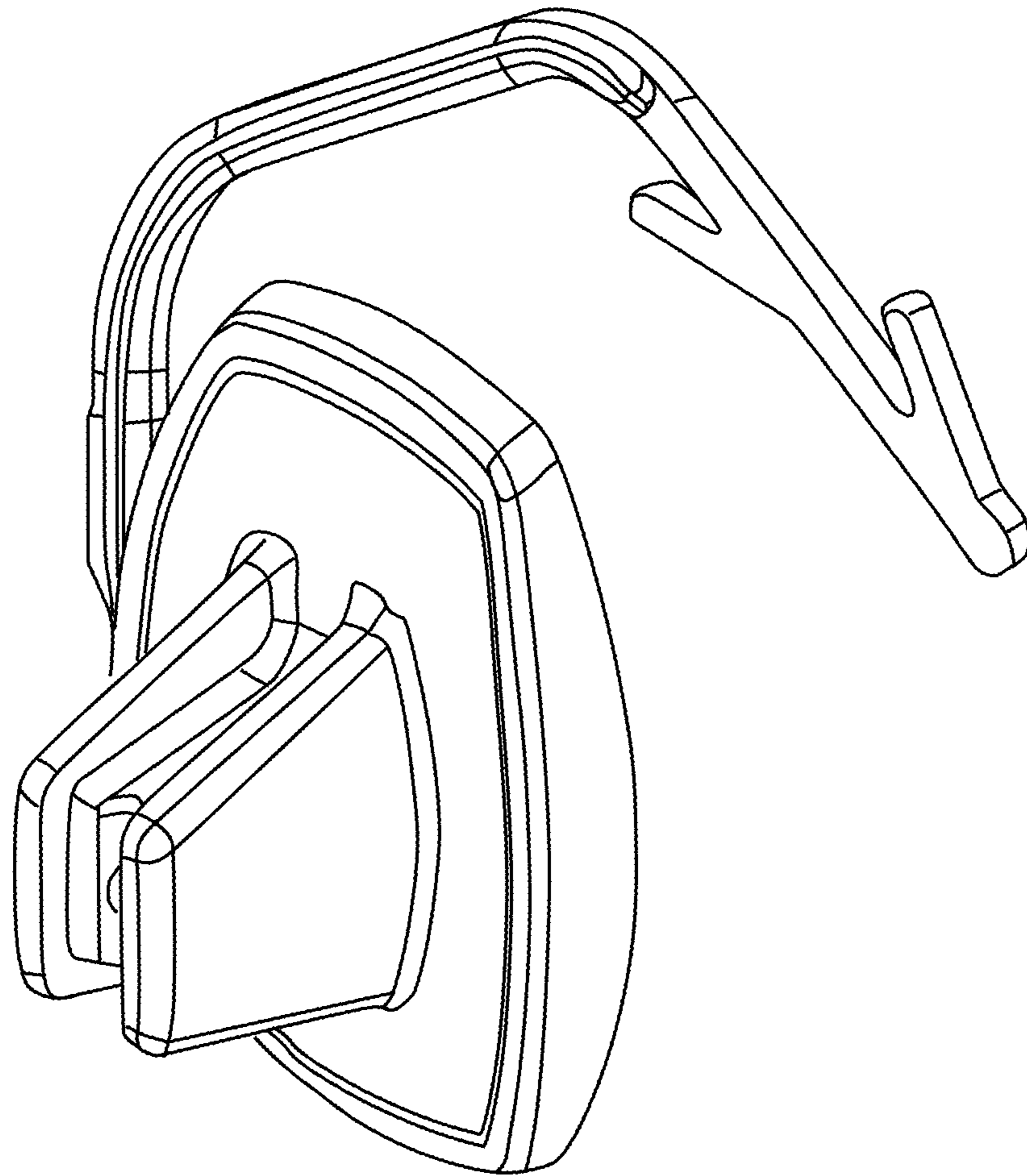
1.2



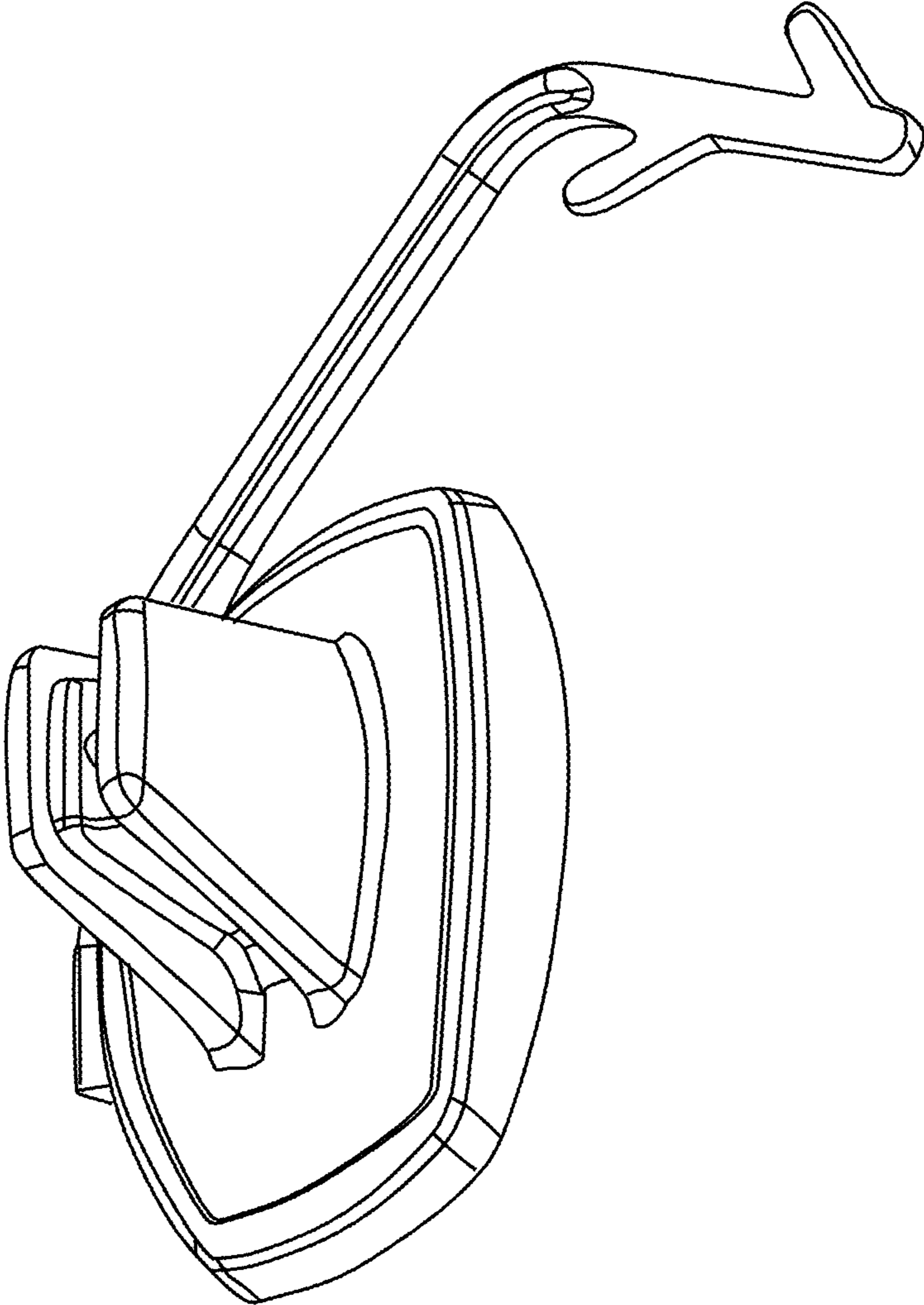
1.3



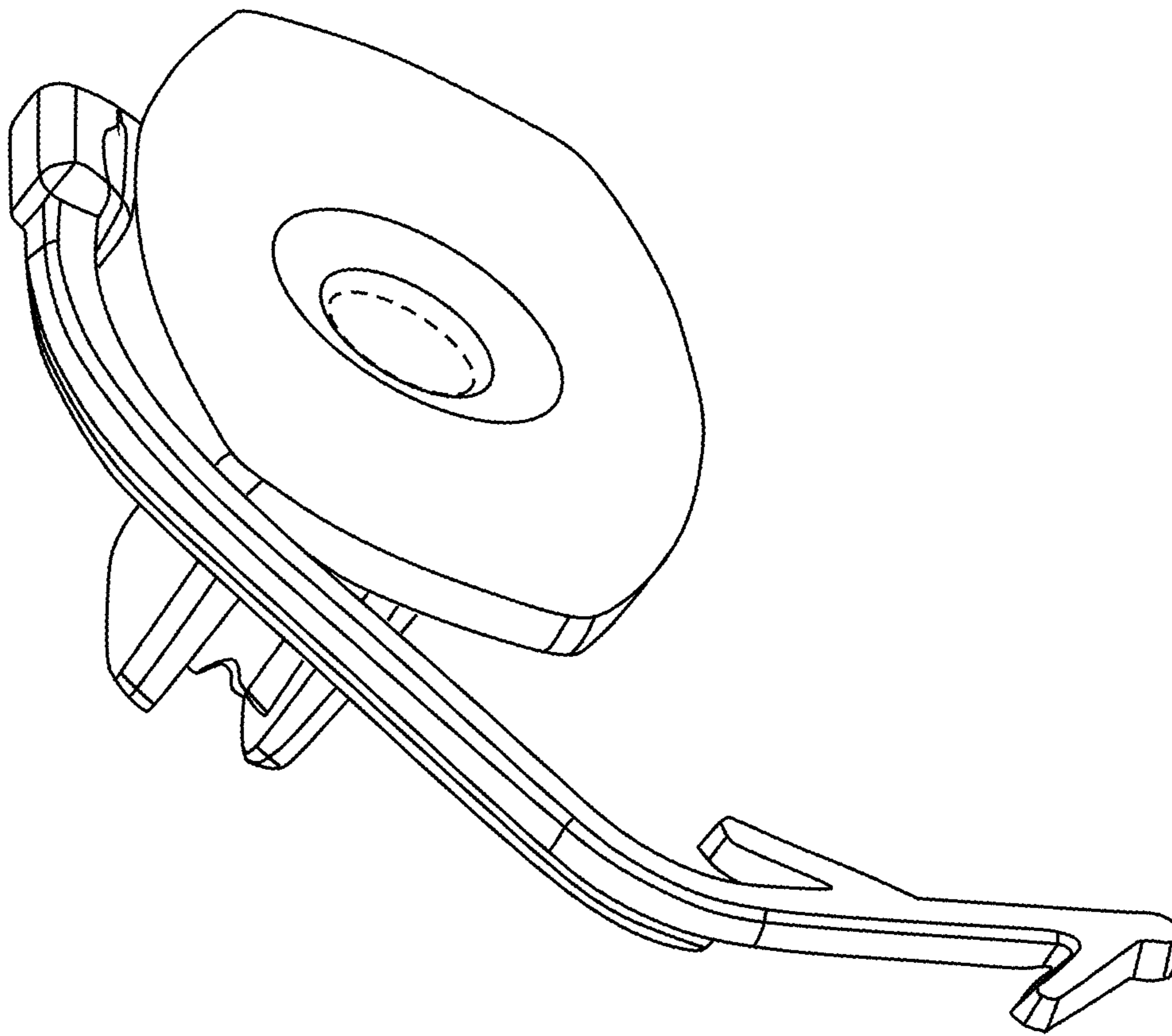
1.4



1.5



1.6



1.7