

US00D900964S

(12) **United States Design Patent**
Slamans

(10) **Patent No.:** **US D900,964 S**

(45) **Date of Patent:** **** Nov. 3, 2020**

- (54) **NOZZLE**
- (71) Applicant: **OUTDOOR TRADING LLC**,
Sheridan, WY (US)
- (72) Inventor: **Andrew Slamans**, Hershey, PA (US)
- (73) Assignee: **OUTDOOR TRADING LLC**,
Sheridan, WY (US)
- (**) Term: **15 Years**
- (21) Appl. No.: **29/734,368**
- (22) Filed: **May 12, 2020**

D338,947	S	*	8/1993	Haruch	D23/223
D349,758	S	‡	8/1994	Hallbach	D23/259
D355,703	S	*	2/1995	Duell	D23/213
D364,916	S	‡	12/1995	Hallbach	D23/259
D387,849	S	*	12/1997	Wang	D23/223
5,799,364	A	‡	9/1998	Foisy	A47L 5/24 15/338
D402,354	S	‡	12/1998	Strong	D23/259
5,996,134	A	‡	12/1999	Senninger	E03D 11/16 138/96 R
D418,590	S	‡	1/2000	Tracy	D23/213
D439,636	S	‡	3/2001	Hamilton	D23/213

(Continued)

Related U.S. Application Data

- (63) Continuation of application No. 29/685,496, filed on Mar. 28, 2019, now Pat. No. Des. 886,943.
- (51) **LOC (12) Cl.** **23-01**
- (52) **U.S. Cl.**
USPC **D23/223**
- (58) **Field of Classification Search**
USPC D23/213, 214, 215, 216, 223, 224, 226,
D23/229, 230; D8/300, 313
CPC A61H 9/0021; A61H 33/00; B05B 1/00;
B05B 1/14; B05B 1/185; B05B 1/08;
B05B 1/02; B05B 1/26; B05B 12/002;
B05B 1/18; B05B 9/01
See application file for complete search history.

References Cited

U.S. PATENT DOCUMENTS

D221,651	S	‡	8/1971	Napper	D23/259
D229,496	S	‡	12/1973	Hand	D23/262
4,827,539	A	‡	5/1989	Kiziah	E03D 11/16 285/303
4,899,938	A	‡	2/1990	Havrilla, Jr.	B05B 7/0815 239/294
D319,291	S	‡	8/1991	Hanzel	D23/212

OTHER PUBLICATIONS

https://www.amazon.com/Taghua-Handheld-Sprinkler-Straight-Showering/dp/B088BLW19Q/ref=sr_1_102?dchild=1&keywords=nozzle%2Bwith%2Bswitch&qid=1591897927&s=lawn-garden&sr=1-102&th=1 (Year: 2020).*

(Continued)

Primary Examiner — Manpreet S Matharu
Assistant Examiner — Keith J Wilson
 (74) *Attorney, Agent, or Firm* — DLA Piper LLP (US)

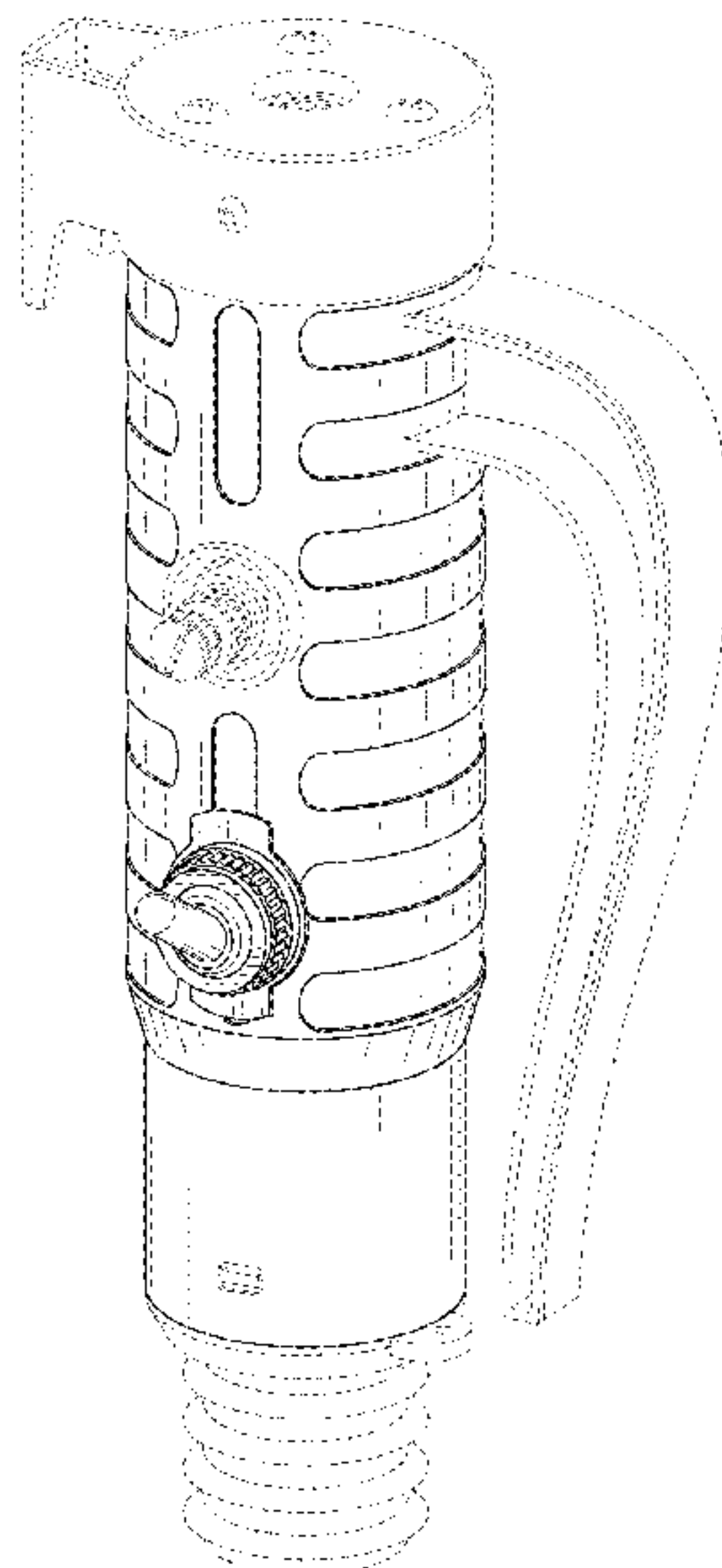
(57) **CLAIM**

The ornamental design for a nozzle, as shown and described.

DESCRIPTION

FIG. 1 is a perspective view of the nozzle showing my new design;
 FIG. 2 is a front side view of the nozzle;
 FIG. 3 is a back side view of the nozzle;
 FIG. 4 is a left side view of the nozzle;
 FIG. 5 is a right view of the nozzle;
 FIG. 6 is a top view of the nozzle; and,
 FIG. 7 is a bottom view of the nozzle.
 The broken lines shown represent portions of a nozzle and form no part of the claimed design.

1 Claim, 6 Drawing Sheets



(56)

References Cited

U.S. PATENT DOCUMENTS

6,435,567 B2 * 8/2002 Kikumori F16L 25/0036
285/319
D462,256 S ‡ 9/2002 Jaynes D12/160
6,499,771 B1 ‡ 12/2002 Snyder, Sr. F16L 37/0915
285/319
D556,008 S * 11/2007 Kerr D23/223
D574,931 S ‡ 8/2008 Hughes D23/262
D595,420 S ‡ 6/2009 Suzuki D23/259
D595,421 S ‡ 6/2009 Suzuki D24/227
D595,863 S ‡ 7/2009 Suzuki D24/227
D619,204 S * 7/2010 Chen D23/223
D627,432 S ‡ 11/2010 Escoto, Jr. B05B 7/066
D23/213
D638,104 S ‡ 5/2011 Govoni D23/262
D646,762 S ‡ 10/2011 Terry D23/259
D670,786 S ‡ 11/2012 Mauchle D23/213
8,474,878 B2 ‡ 7/2013 Richter F16B 2/246
285/319
D689,590 S ‡ 9/2013 Brose D23/213
D704,312 S ‡ 5/2014 Kuo D23/259
D717,405 S ‡ 11/2014 Coronado D23/259
D717,406 S ‡ 11/2014 Stanley D23/259
8,910,677 B1 ‡ 12/2014 Carpenter B60K 15/04
141/312
D737,410 S ‡ 8/2015 Wyne D23/259
D738,470 S ‡ 9/2015 Eaton et al. F16L 12/08
D23/259
D758,543 S * 6/2016 Greenwood D23/235
D758,544 S * 6/2016 Greenwood D23/235
D761,936 S * 7/2016 Flowers D23/223
D782,621 S ‡ 3/2017 Smith D23/259
D783,129 S * 4/2017 Edwards D23/235
D783,130 S * 4/2017 Edwards D23/235
D784,495 S ‡ 4/2017 Pearson D23/249
9,623,594 B2 ‡ 4/2017 French F16J 21/03
D806,833 S ‡ 1/2018 Pearson D23/249
D813,355 S ‡ 3/2018 Weatherby D23/259
D815,516 S ‡ 4/2018 Karmarkar D8/382
D816,811 S ‡ 5/2018 Dagdelen D23/259
D823,443 S ‡ 7/2018 Bancroft D23/262
D828,906 S * 9/2018 Lu D23/223
D829,861 S * 10/2018 Lee D23/223
D830,522 S ‡ 10/2018 Di Liberto D23/259
D833,581 S ‡ 11/2018 Atwell D23/259
D835,756 S ‡ 12/2018 Auxter D23/249
D836,755 S ‡ 12/2018 Dale D23/259
D844,113 S ‡ 3/2019 Auxter D23/249

D847,309 S ‡ 4/2019 Sugatani D23/259
D849,890 S * 5/2019 Tempel D23/233
D851,220 S ‡ 6/2019 Thompson D23/259
D851,738 S ‡ 6/2019 Ghorbani D23/259
D852,934 S ‡ 7/2019 Habres D23/259
D855,781 S ‡ 8/2019 Delancey D23/259
D857,179 S ‡ 8/2019 Thompson D23/259
D859,604 S ‡ 9/2019 Dagdelen D23/259
D861,054 S ‡ 9/2019 Avila D15/199
D865,919 S ‡ 11/2019 Lippka D23/262
D868,112 S ‡ 11/2019 Tsuji D15/5
D886,943 S * 6/2020 Slamans D23/213
2003/0062428 A1 ‡ 4/2003 Baasch F02M 25/00
239/407
2004/0080160 A1 ‡ 4/2004 Rief E04H 4/1654
285/276
2006/0006651 A1 ‡ 1/2006 Watanabe F16H 25/0036
285/247
2007/0228727 A1 ‡ 10/2007 Matsuno F16L 37/0985
285/305
2012/0325335 A1 ‡ 12/2012 Schalkx F16L 37/2445
137/315.01
2014/0327238 A1 ‡ 11/2014 Bowman F16L 21/08
285/112
2014/0338773 A1 ‡ 11/2014 French F16L 37/1225
138/109
2015/0060577 A1 ‡ 3/2015 Kosovich B05B 13/0627
239/587.1
2015/0176728 A1 ‡ 6/2015 Bowman F16L 21/065
285/309
2015/0353340 A1 ‡ 12/2015 Gammon B64D 37/00
141/1
2017/0328500 A1 ‡ 11/2017 Bowman F16L 17/04
2017/0328505 A1 ‡ 11/2017 Sith F16L 37/0915
2017/0334705 A1 * 11/2017 Murugo Perez F16L 37/00
2018/0156362 A1 ‡ 6/2018 Takeda B25B 27/10
2018/0163905 A1 ‡ 6/2018 Ohnemus F16L 21/005
2018/0209567 A1 ‡ 7/2018 Brandt F16L 17/04
2018/0304179 A1 ‡ 10/2018 Auxter B01D 27/06
2018/0326449 A1 * 11/2018 Dale B05C 17/00503

OTHER PUBLICATIONS

https://www.amazon.com/2wayz-Garden-Valve-Running-Experience/dp/B00R1RX4JO/ref=pd_rhf_dp_p_img_2?_encoding=UTF8&psc=1&refRID=GXNK1E5SQM9X7F6JYT8 (Year: 2015). ‡

* cited by examiner
‡ imported from a related application

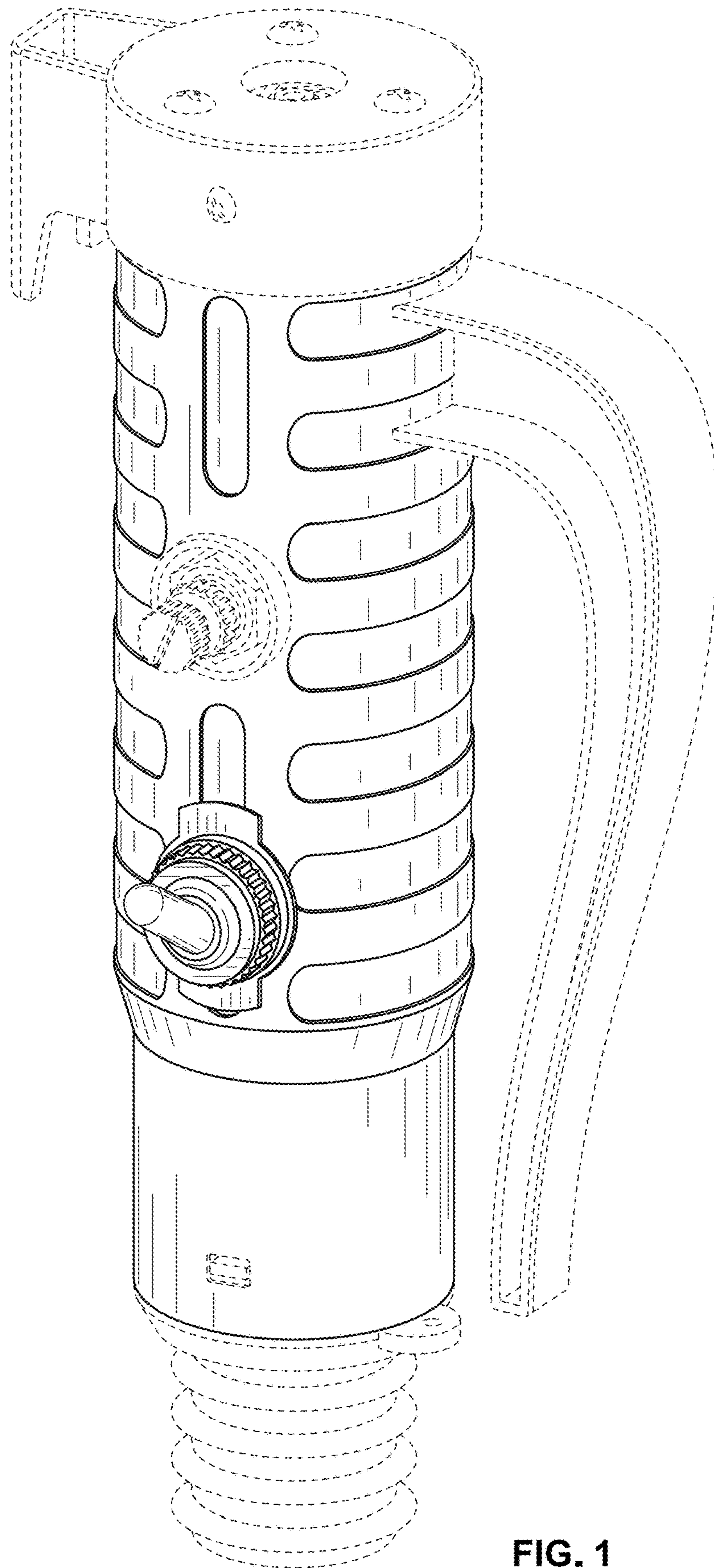


FIG. 1

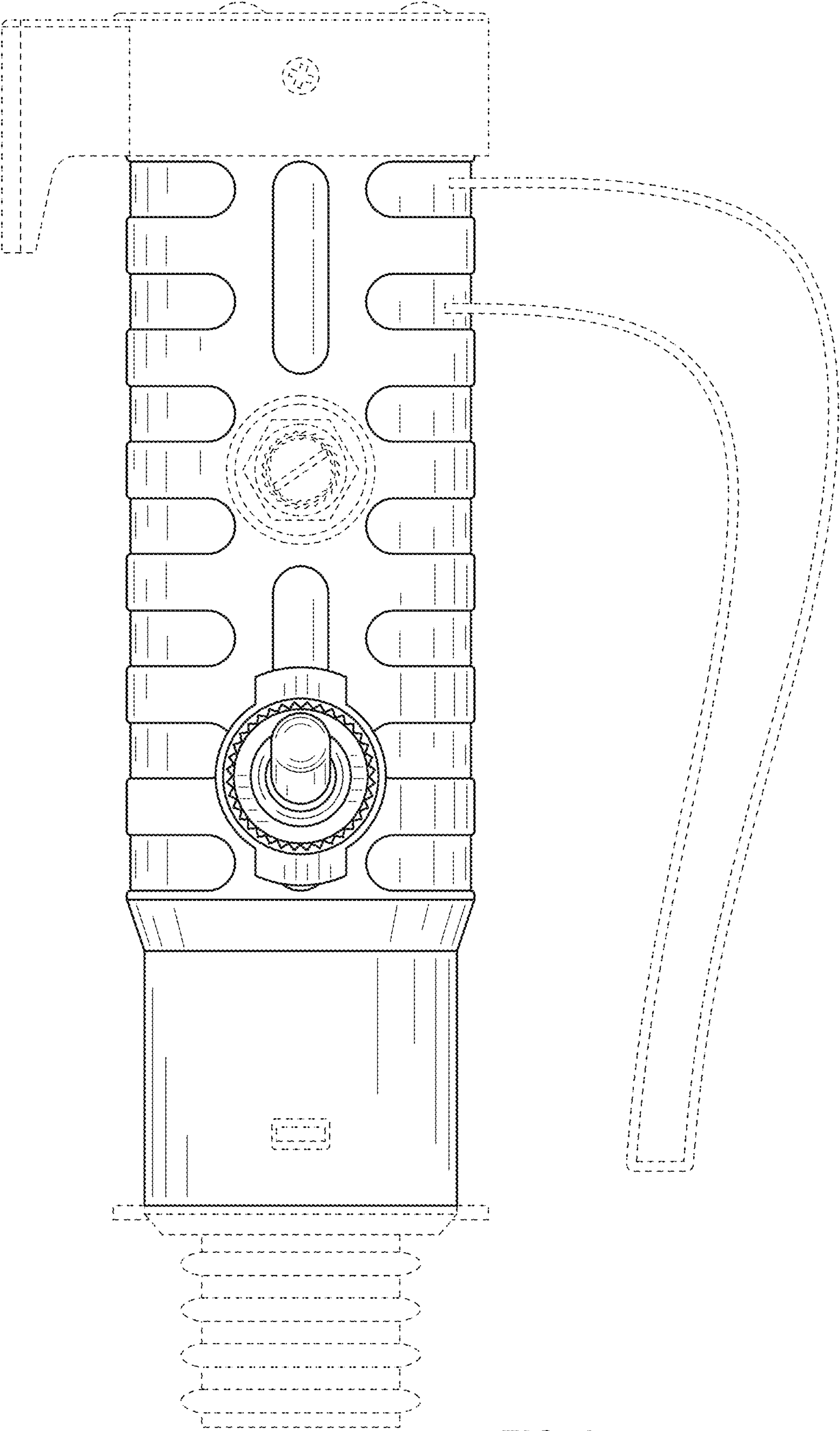


FIG. 2

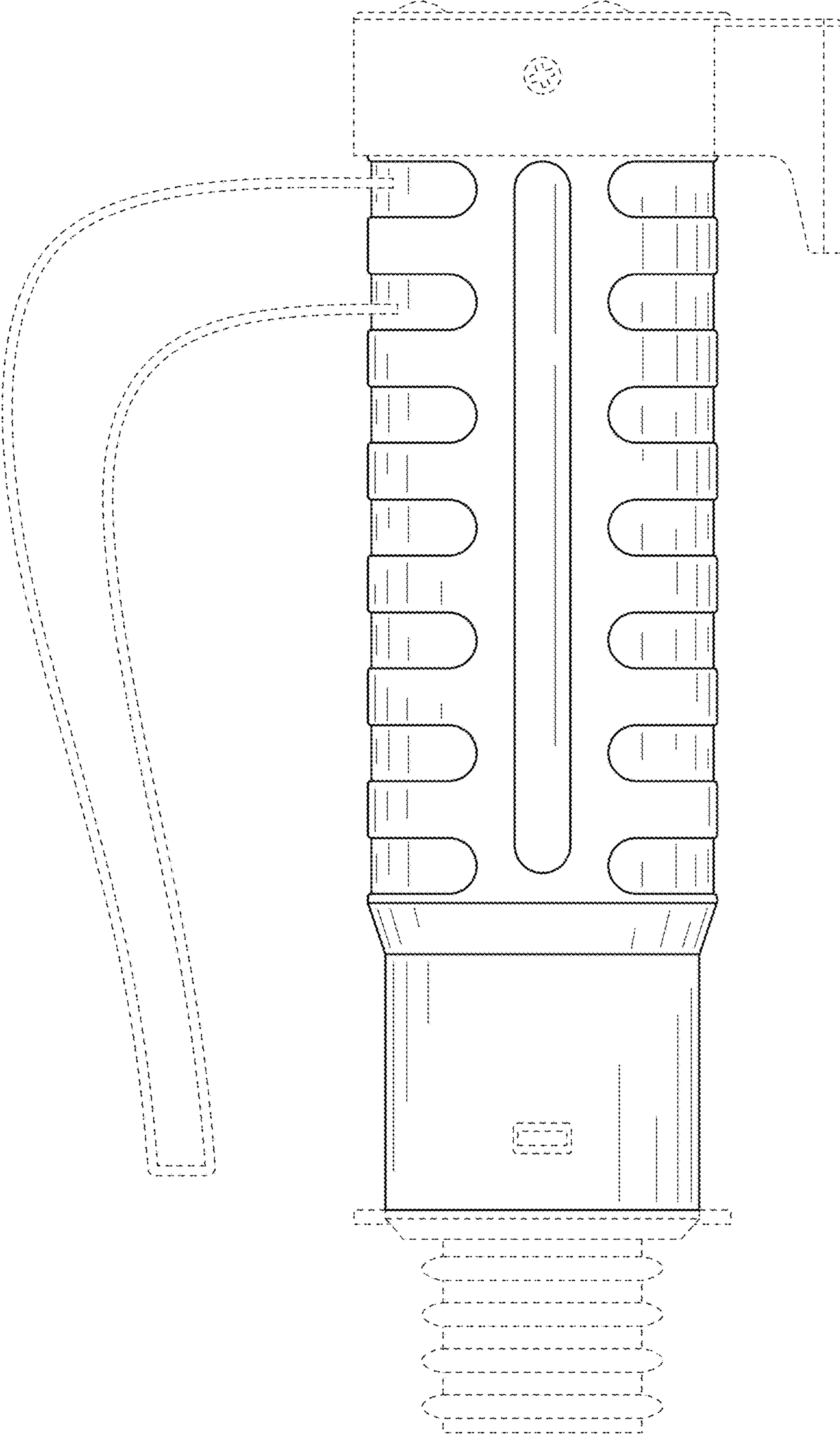


FIG. 3

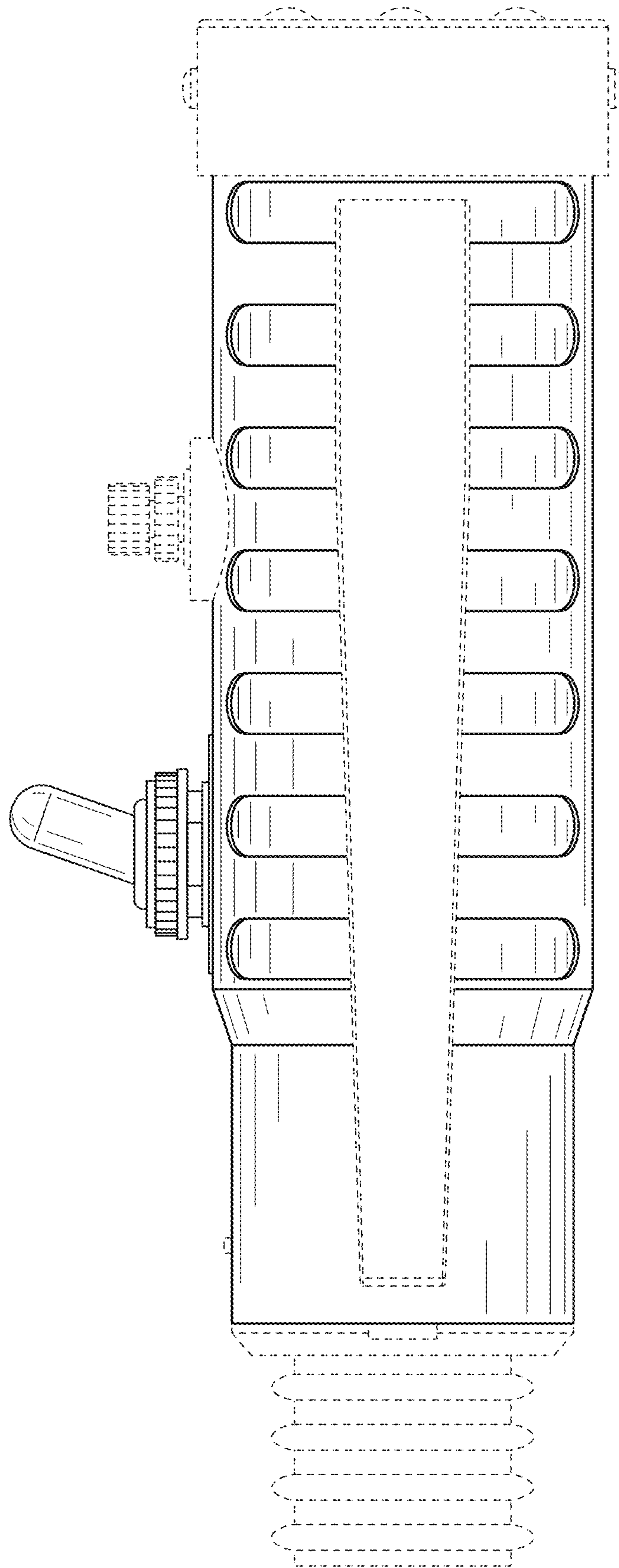


FIG. 4

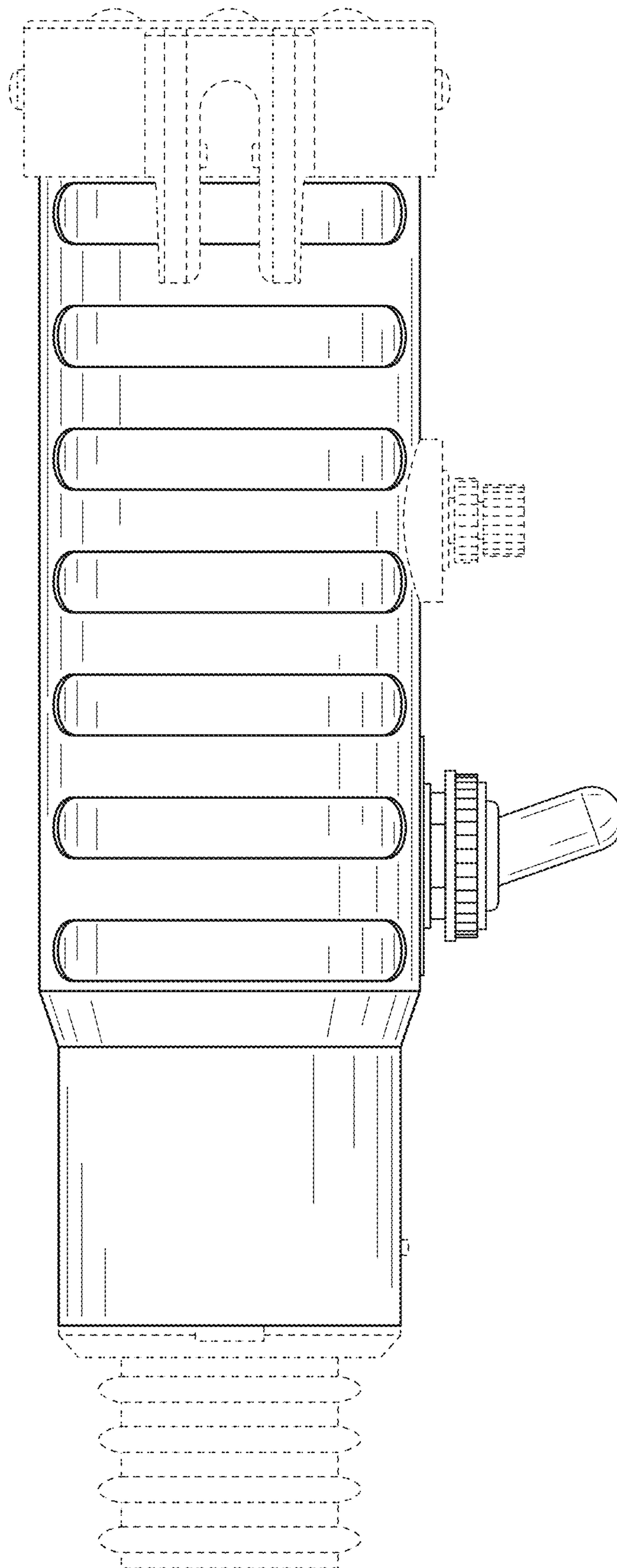


FIG. 5

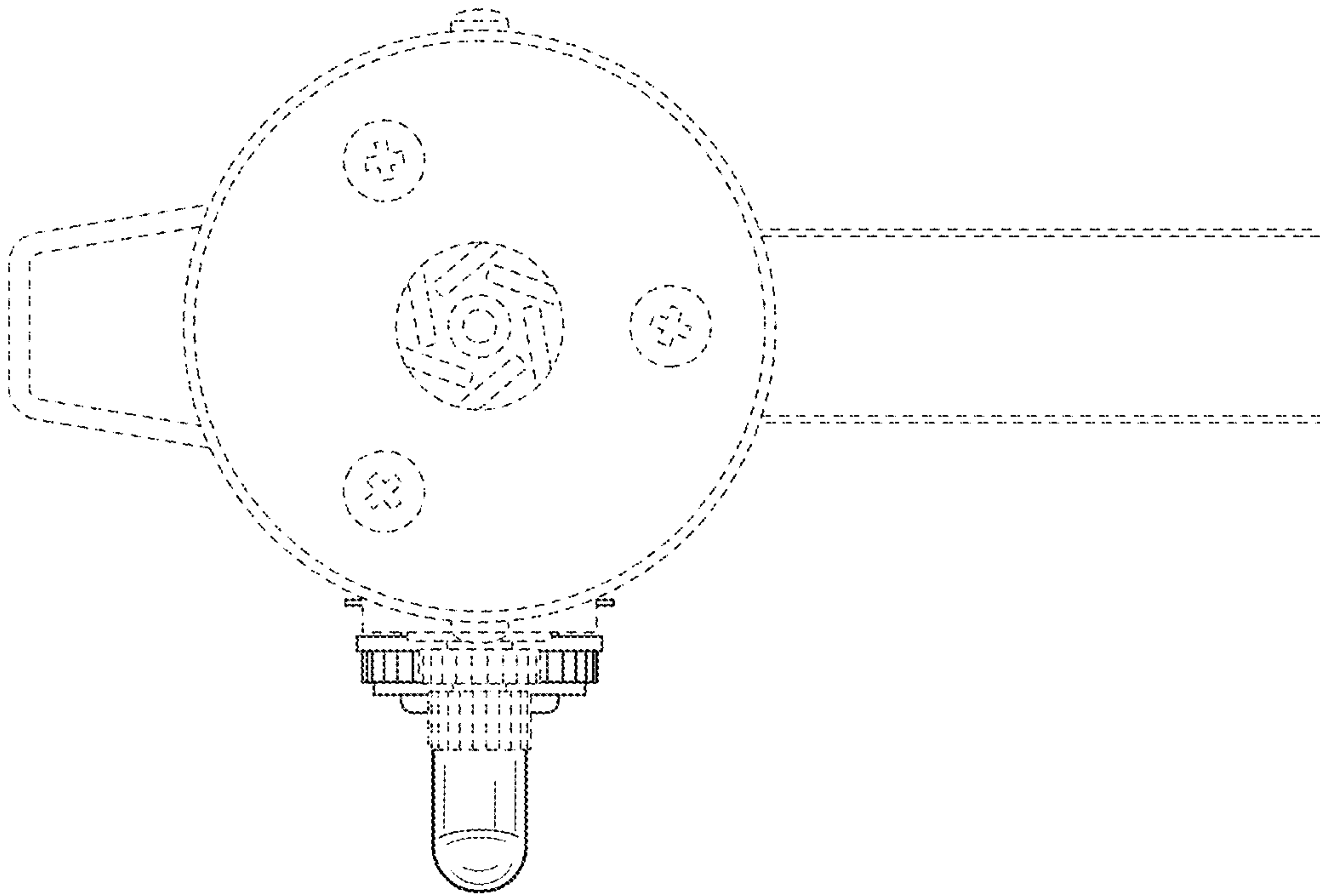


FIG. 6

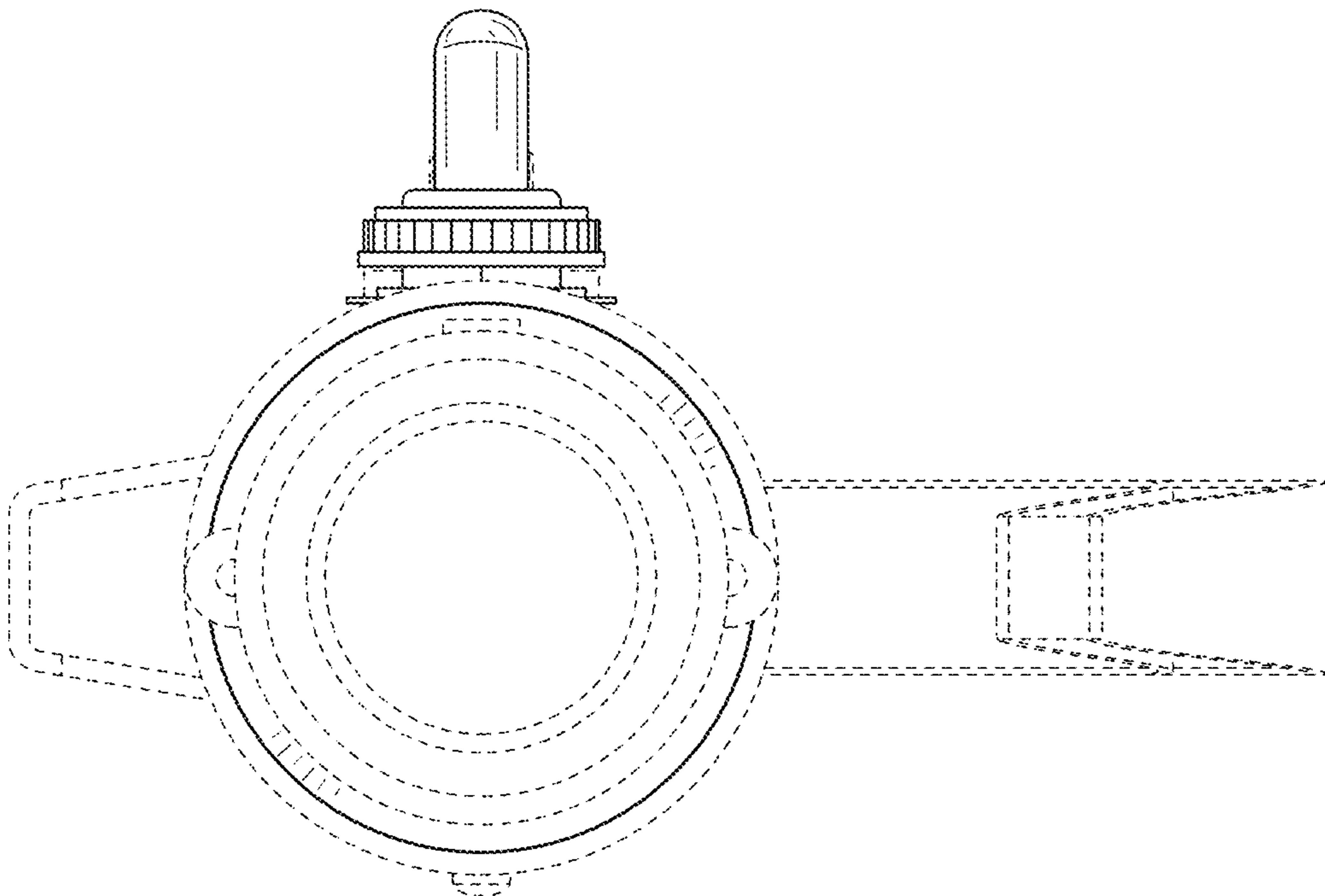


FIG. 7