



US00D900962S

(12) **United States Design Patent** (10) **Patent No.:** **US D900,962 S**
Tse et al. (45) **Date of Patent:** **** Nov. 3, 2020**

- (54) **SPRAYER DEVICE**
- (71) Applicant: **Berlin Packaging, LLC**, Chicago, IL (US)
- (72) Inventors: **Kieron Tse**, Mt. Prospect, IL (US); **Andrew Sanguinet**, La Grange Park, IL (US)
- (73) Assignee: **Berlin Packaging, LLC**, Chicago, IL (US)
- (**) Term: **15 Years**
- (21) Appl. No.: **29/731,313**
- (22) Filed: **Apr. 14, 2020**

Related U.S. Application Data

- (62) Division of application No. 29/671,540, filed on Nov. 28, 2018, now Pat. No. Des. 890,299.
- (51) **LOC (12) Cl.** **23-01**
- (52) **U.S. Cl.**
USPC **D23/213**
- (58) **Field of Classification Search**
USPC D23/208, 213, 214, 215, 216, 223–225, D23/233, 235–237, 241–249, 252, 255, D23/262
CPC F04B 9/14; F04B 23/02; F04B 23/023; B05B 11/3059; B05B 11/3001; B05B 1/00; B05B 1/14; B05B 1/185; B05B 1/08; B05B 1/02; B05B 1/26; B05B 12/002; B05B 1/18; A61H 9/0021; A61H 33/00
See application file for complete search history.

(56) **References Cited**

U.S. PATENT DOCUMENTS

- D697,583 S * 1/2014 Schmon D23/225
- D709,988 S * 7/2014 Ford D23/213
- D742,998 S * 11/2015 Gooden B05B 7/2443 D23/225

- D742,999 S * 11/2015 Moya D23/225
- D764,024 S * 8/2016 Cleroux D23/225
- D765,224 S * 8/2016 Voelker D23/225
- D767,095 S * 9/2016 Kuznik D23/225
- D772,380 S * 11/2016 Fontaine D23/225
- D787,326 S * 5/2017 Hanson D23/225

(Continued)

OTHER PUBLICATIONS

https://www.amazon.com/Packaging-Replacement-Trigger-Sprayers-Nozzles/dp/B01MG6DZMC/ref=sr_1_1?dchild=1&keywords=PP+Plastic+High+Output+Trigger+Sprayers+with+Comfort+Grip&qid=1597184256&sr=8-1 (Year: 2017).*

(Continued)

Primary Examiner — Manpreet S Matharu

Assistant Examiner — Keith J Wilson

(74) *Attorney, Agent, or Firm* — Adam K. Sacharoff; Much Shelist, P.C.

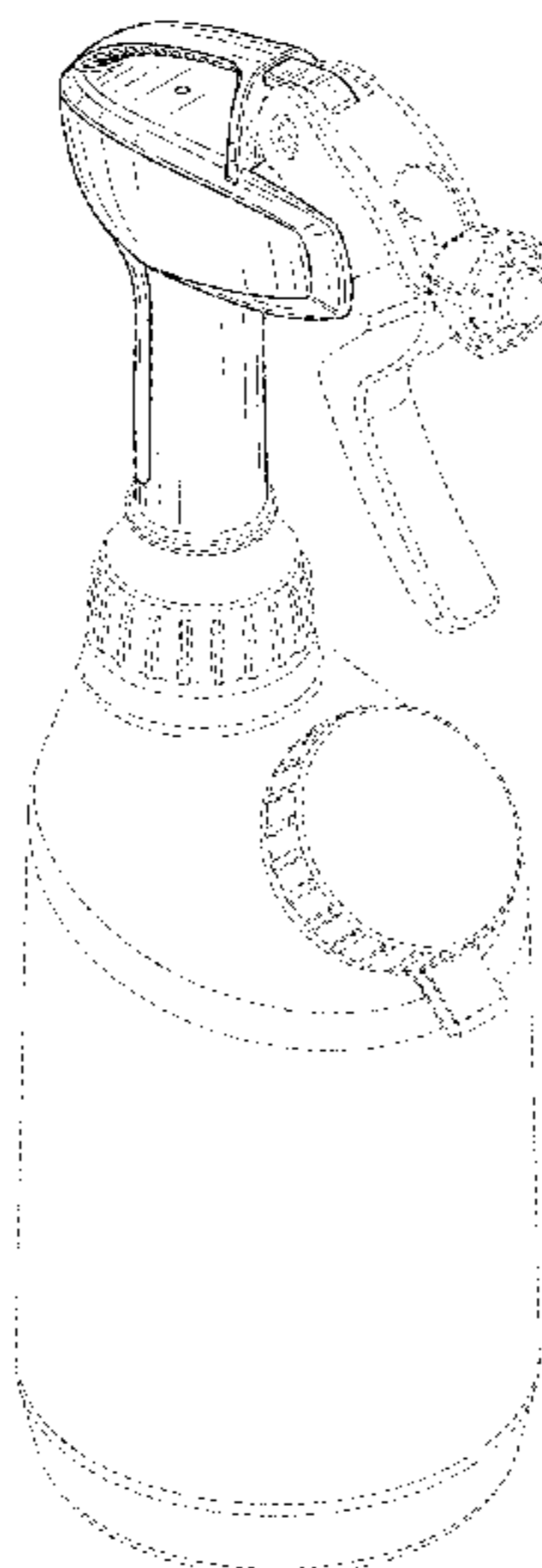
(57) **CLAIM**

We claim the ornamental design for a sprayer device, as shown and described.

DESCRIPTION

FIG. 1 is a front left side perspective view showing the new design for a sprayer device;
 FIG. 2 is a rear right side perspective view thereof;
 FIG. 3 is a front left side perspective view taken from underneath the bottle;
 FIG. 4 is a rear right side perspective view taken from underneath the bottle;
 FIG. 5 is a front elevation view thereof;
 FIG. 6 is a rear elevation view thereof;
 FIG. 7 is a right side view thereof;
 FIG. 8 is a left side view thereof;
 FIG. 9 is a top plan view thereof; and,
 FIG. 10 is a bottom plan view thereof.
 The broken lines shown represent portions of a sprayer device and form no part of the claimed design.

1 Claim, 10 Drawing Sheets



(56)

References Cited

U.S. PATENT DOCUMENTS

D809,097 S * 1/2018 Bates D23/225

OTHER PUBLICATIONS

<https://www.amazon.com/Zep-Output-Chemical-Sprayer-U43010/dp/B07M8DDMVJ/> (Year; 2019_
Notice of Allowance, dated Feb. 24, 2020; U.S. Appl. No. 29/671,540.

* cited by examiner

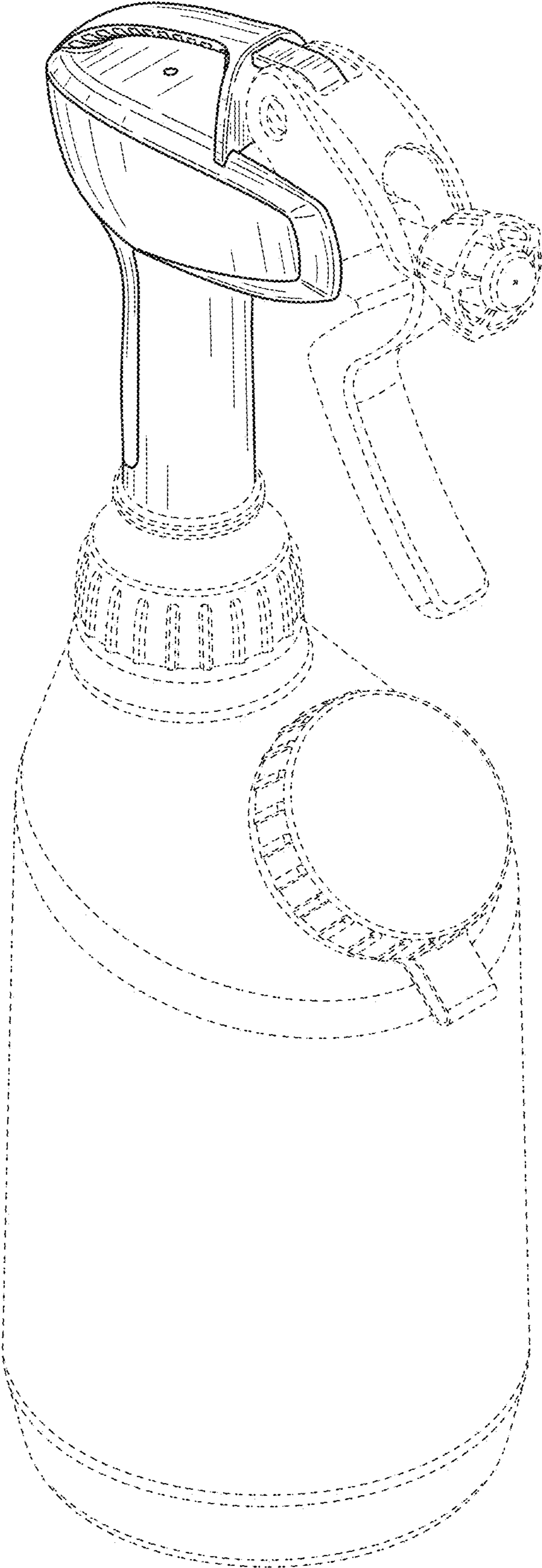


FIG. 1

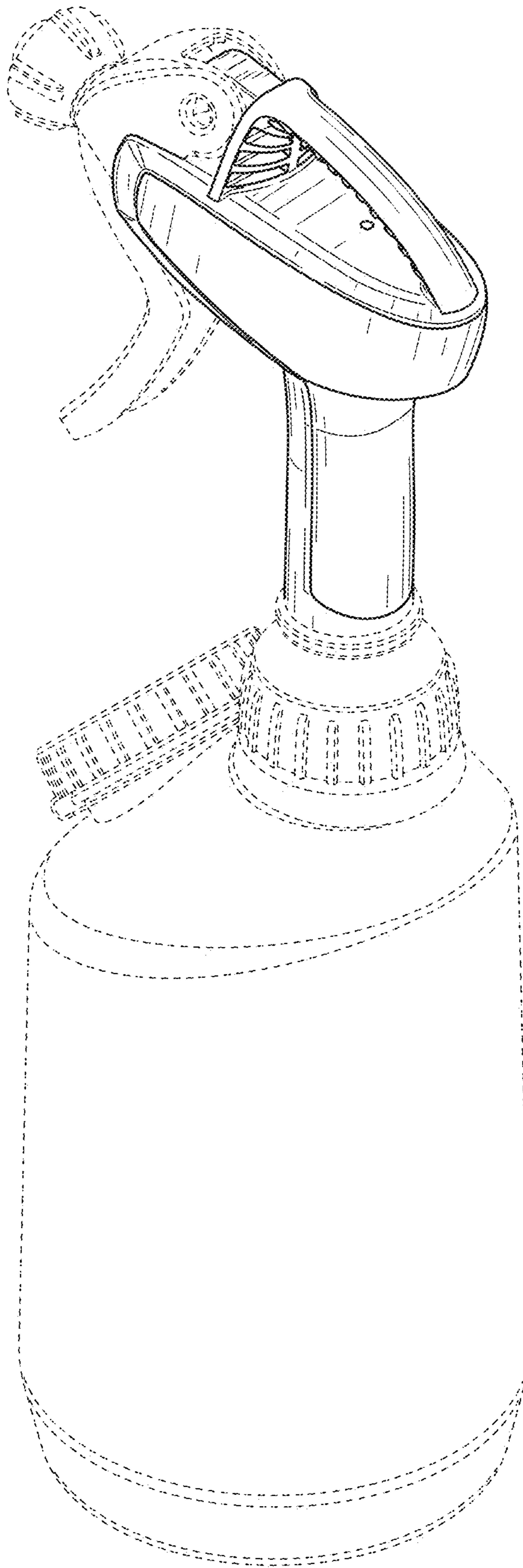


FIG. 2

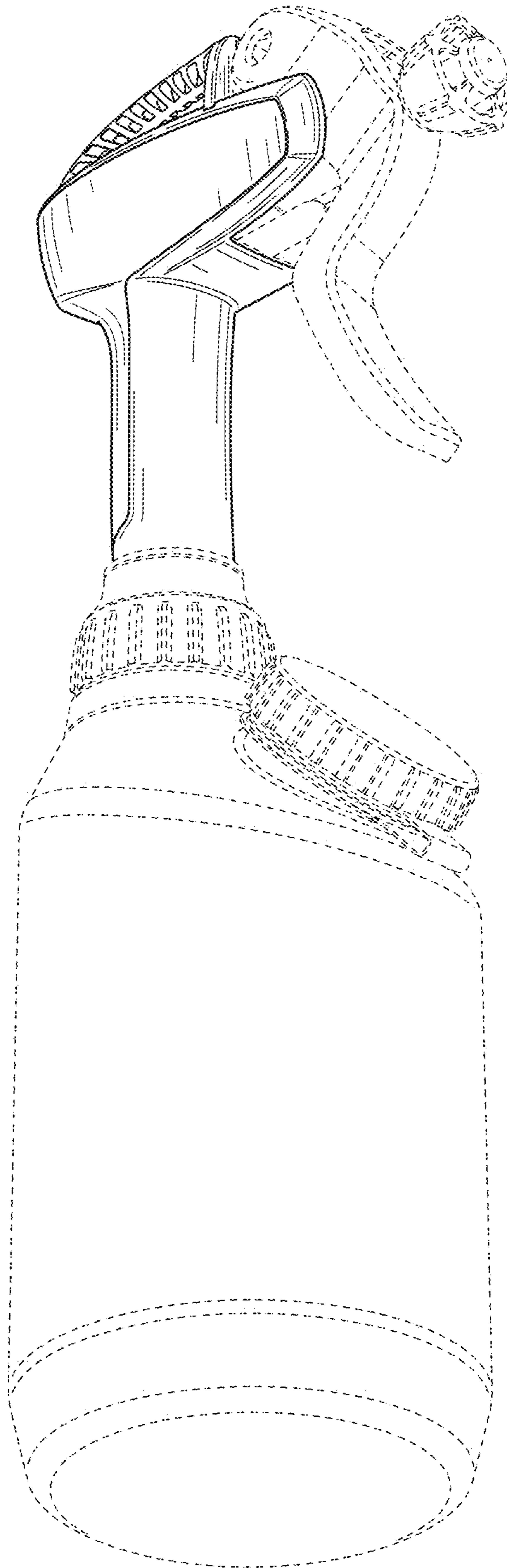


FIG. 3

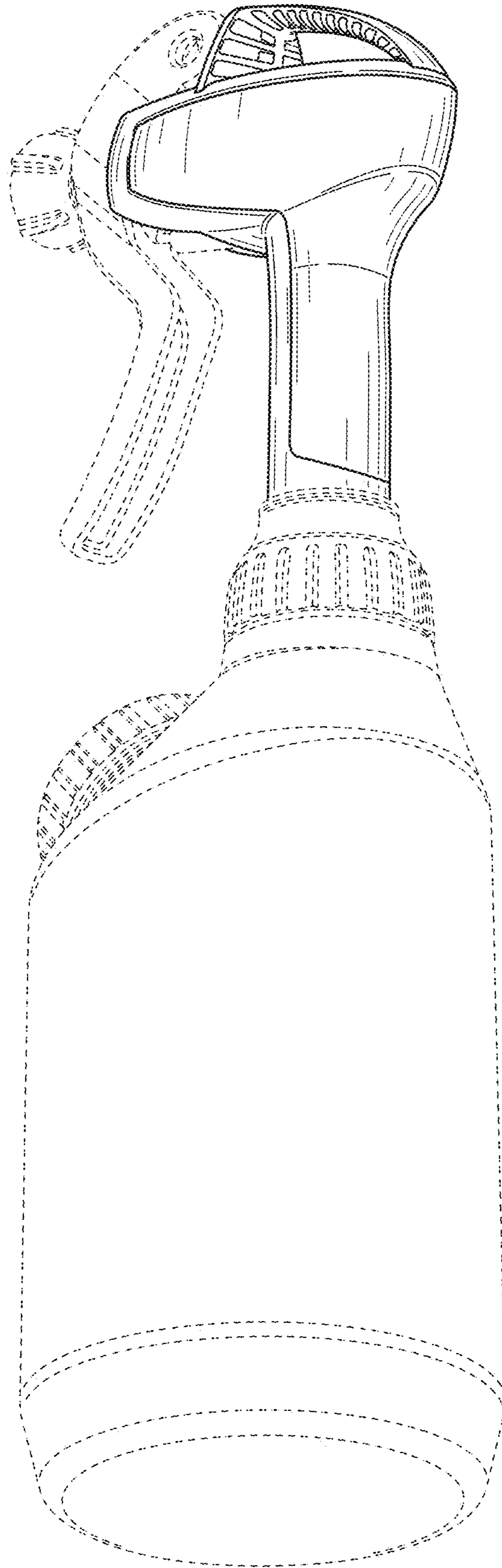


FIG. 4

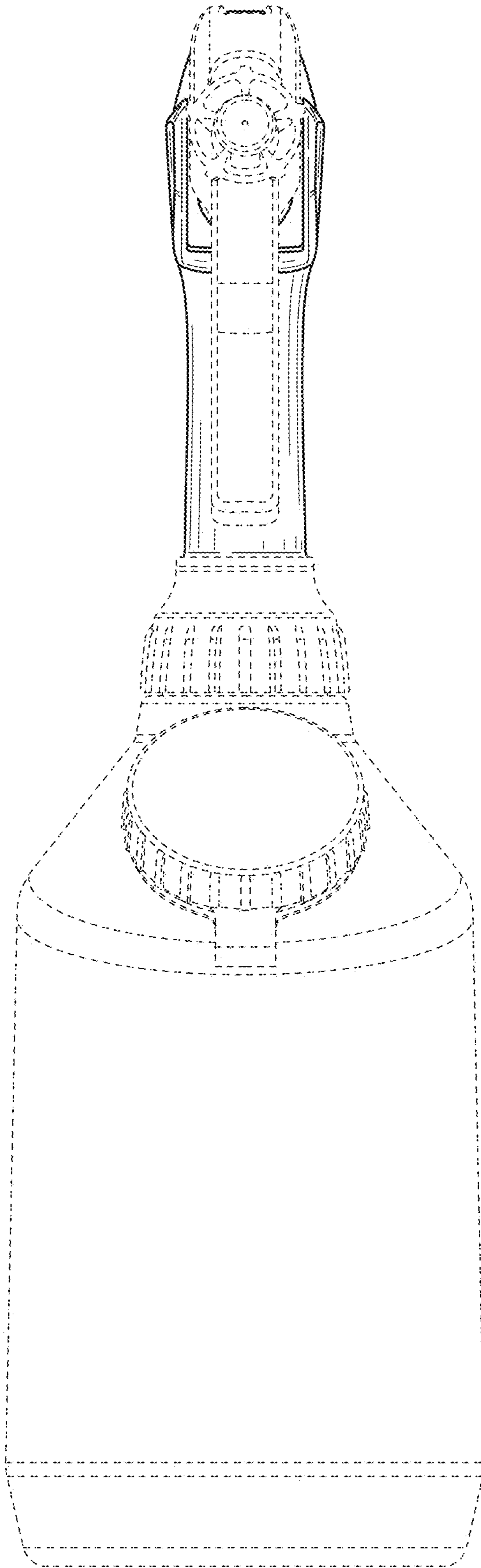


FIG. 5

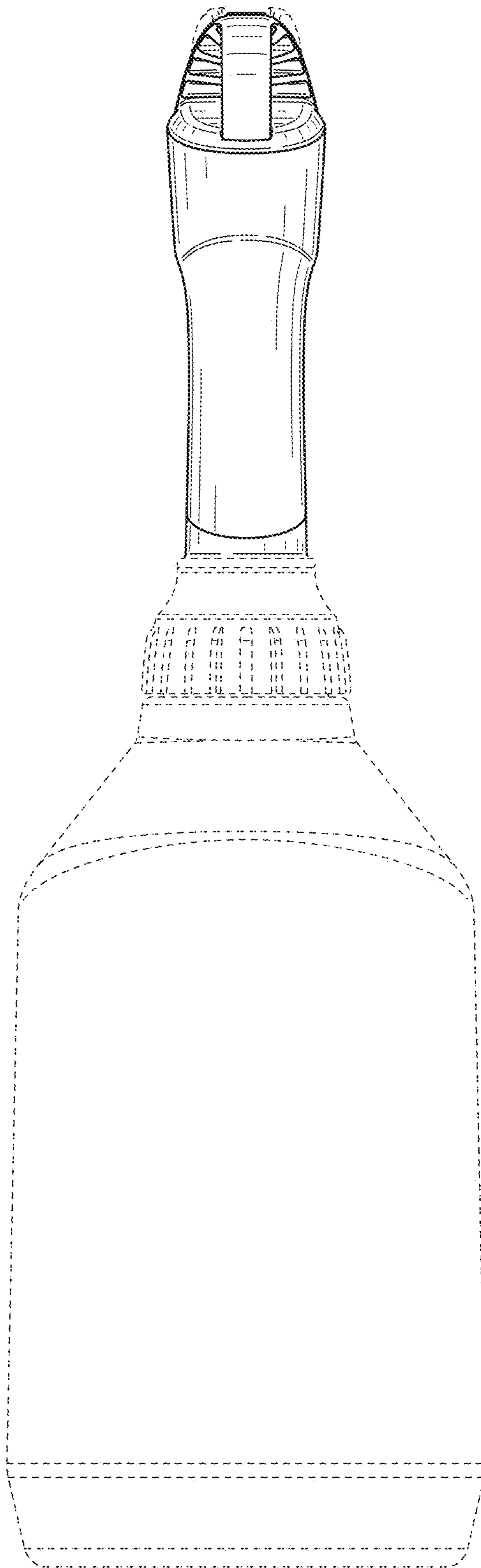


FIG. 6

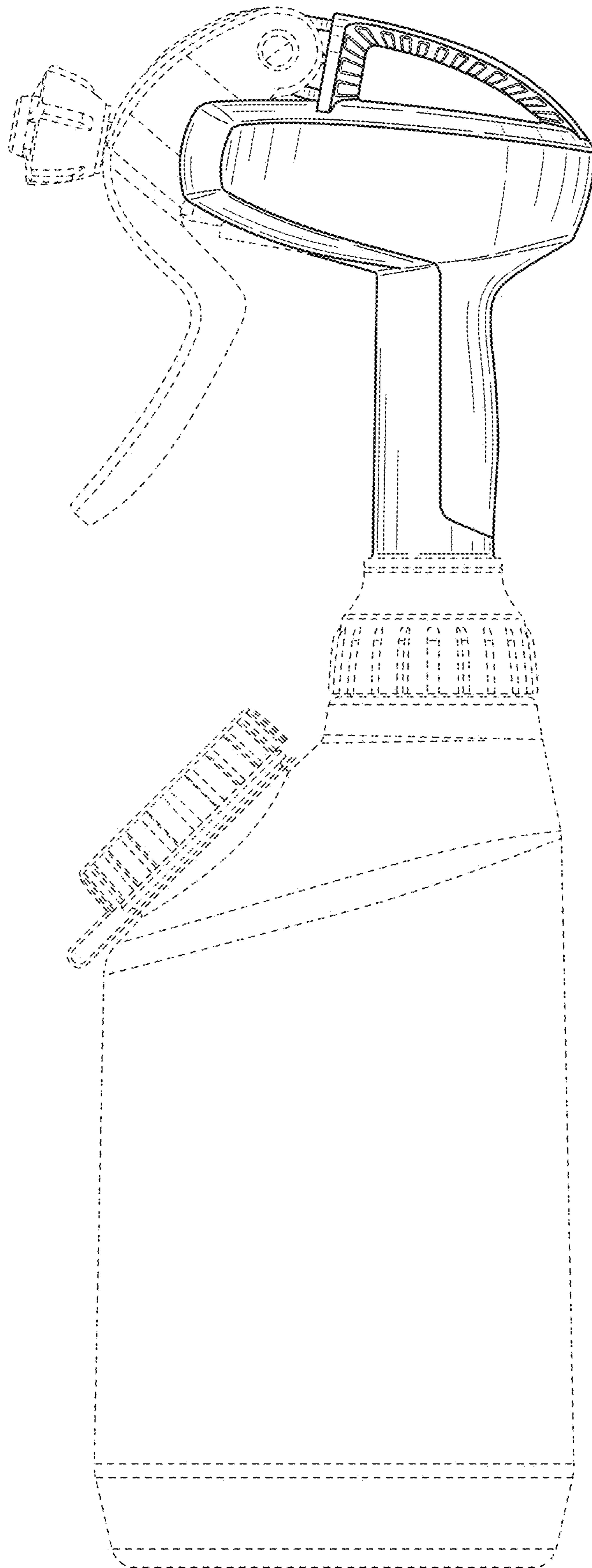


FIG. 7

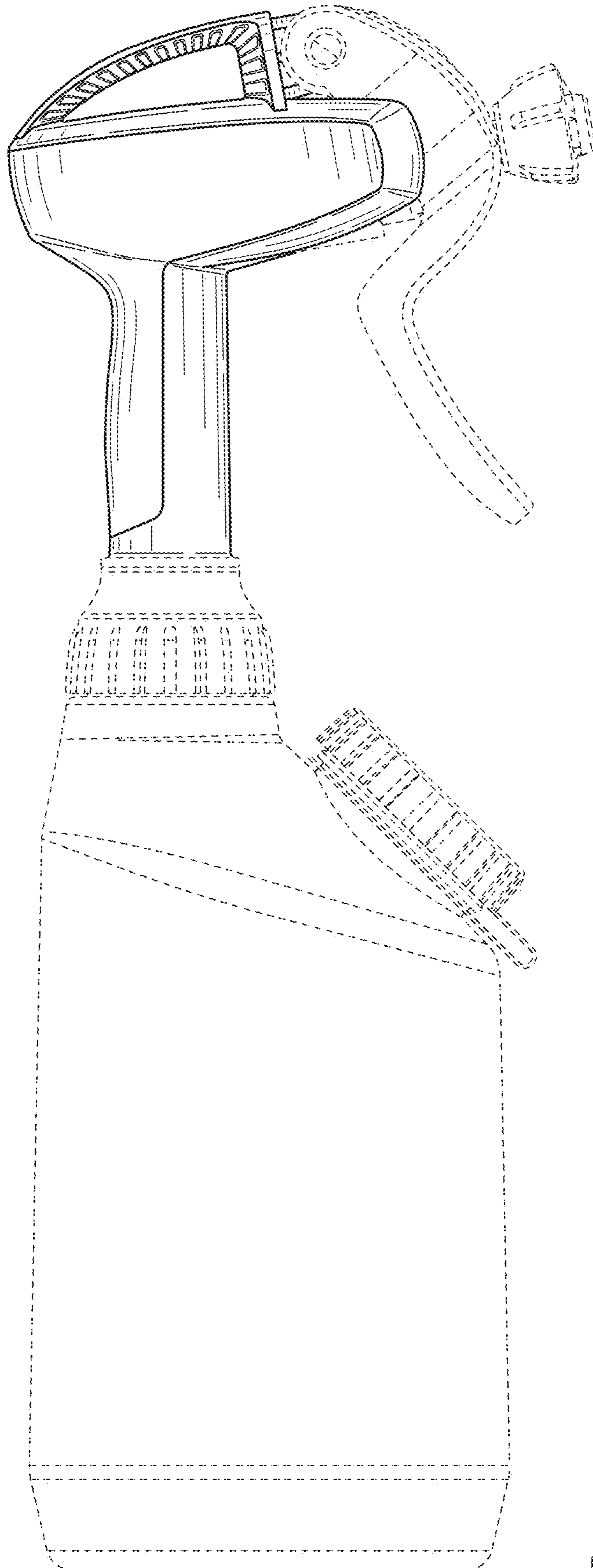


FIG. 8

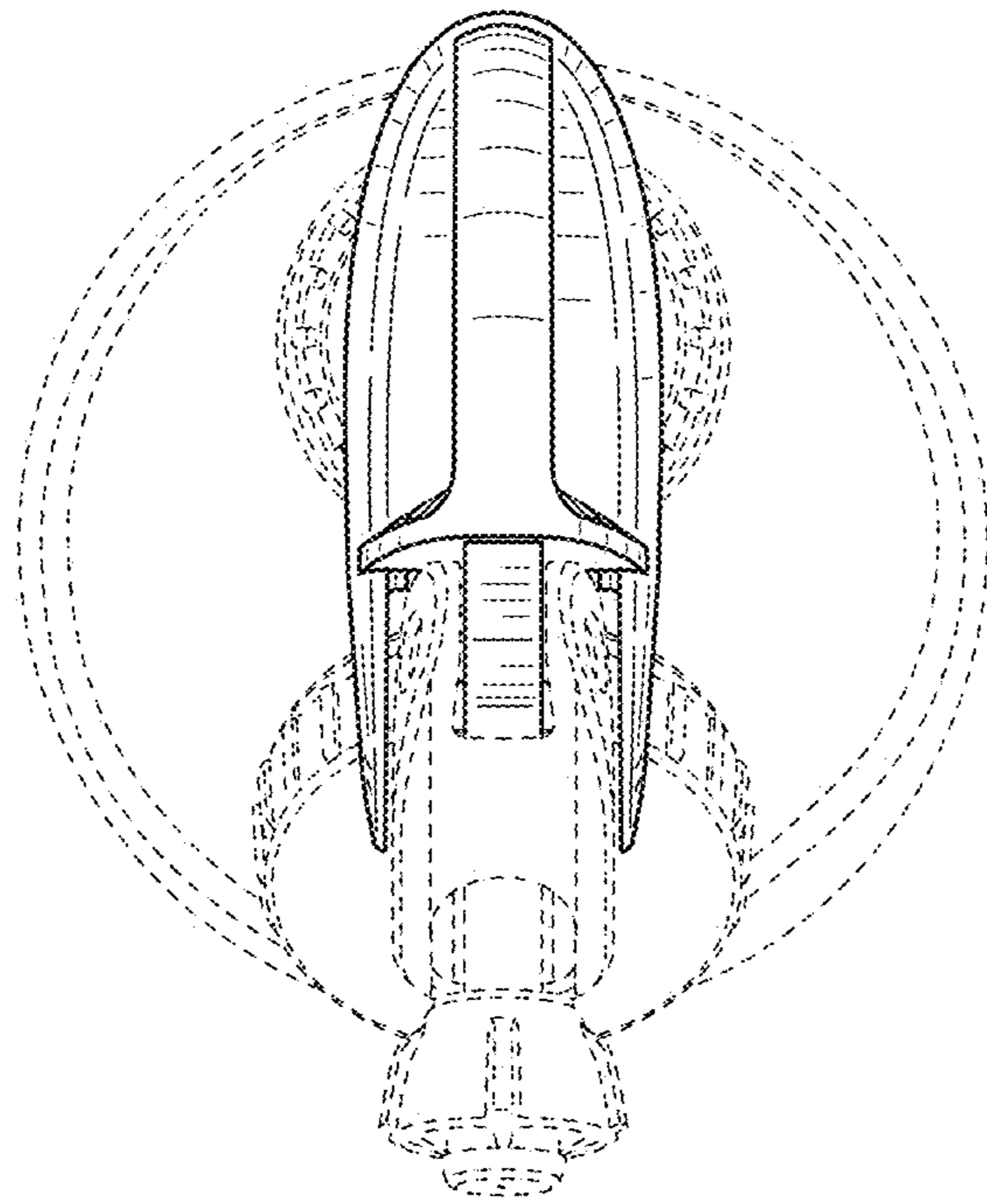


FIG. 9

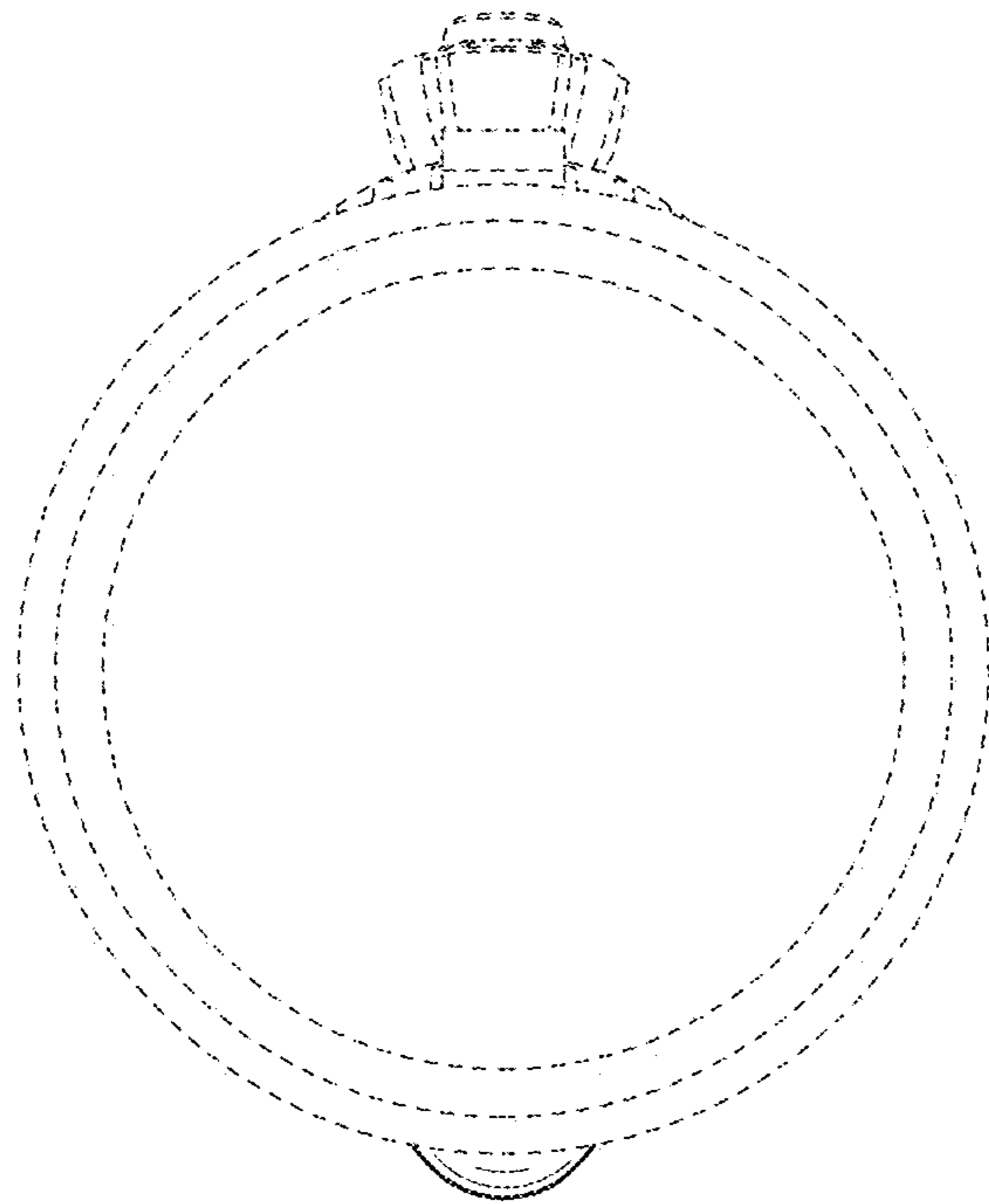


FIG. 10