



US00D900961S

(12) **United States Design Patent** (10) **Patent No.:** **US D900,961 S**
Wright (45) **Date of Patent:** **** Nov. 3, 2020**

(54) **HIGH PRESSURE ROTARY NOZZLE**
(71) Applicant: **STONEAGE, INC.**, Durango, CO (US)
(72) Inventor: **Douglas E. Wright**, Durango, CO (US)
(73) Assignee: **STONEAGE, INC.**, Durango, CO (US)

(**) Term: **15 Years**

(21) Appl. No.: **29/667,727**

(22) Filed: **Oct. 24, 2018**

(51) **LOC (12) Cl.** **23-01**

(52) **U.S. Cl.**
USPC **D23/213**

(58) **Field of Classification Search**
USPC D23/213, 214, 215, 223, 224, 226, 229,
D23/230
CPC A61H 9/0021; A61H 33/00; B05B 1/00;
B05B 1/14; B05B 1/185; B05B 1/08;
B05B 1/02; B05B 1/26; B05B 12/002;
B05B 1/18; B05B 9/01; F16L 37/46;
F16L 37/00; F17C 13/12; F17C
2205/0376

See application file for complete search history.

(56) **References Cited**

U.S. PATENT DOCUMENTS

D395,484 S * 6/1998 Jepsen D23/213
D438,933 S * 3/2001 Sundholm D23/213
D540,425 S * 4/2007 Endo D23/213
D617,871 S * 6/2010 Wright B05B 3/002
D23/213
D622,810 S * 8/2010 Wright D23/213
D624,156 S * 9/2010 Leber D23/213
7,878,419 B2 * 2/2011 Waddelow A62C 31/05
239/104

D638,912 S * 5/2011 Wright D23/213
D724,694 S * 3/2015 Bygbjerg D23/213
D734,427 S * 7/2015 Bygbjerg D23/213
9,395,001 B2 * 7/2016 Andersen B05B 1/3013
D800,249 S * 10/2017 Irwin D23/213
9,821,179 B2 * 11/2017 Kristensen B05B 1/14
2006/0219822 A1 * 10/2006 Miller B05B 1/304
239/562

OTHER PUBLICATIONS

<https://www.nlbcorp.com/shop/nozzles/typhoon-20/> (Year: 2019).*

* cited by examiner

Primary Examiner — Manpreet S Matharu

Assistant Examiner — Keith J Wilson

(74) *Attorney, Agent, or Firm* — Greenberg Traurig, LLP

(57) **CLAIM**

The ornamental design for a high pressure rotary nozzle, as shown and described herein.

DESCRIPTION

FIG. 1 is a front perspective view of my new nozzle design. Portions shown in dashed lines form no part of my new design.

FIG. 2 is a rear perspective view of my new nozzle design.

FIG. 3 is a right side view of my new nozzle design.

FIG. 4 is a left side view of my new nozzle design.

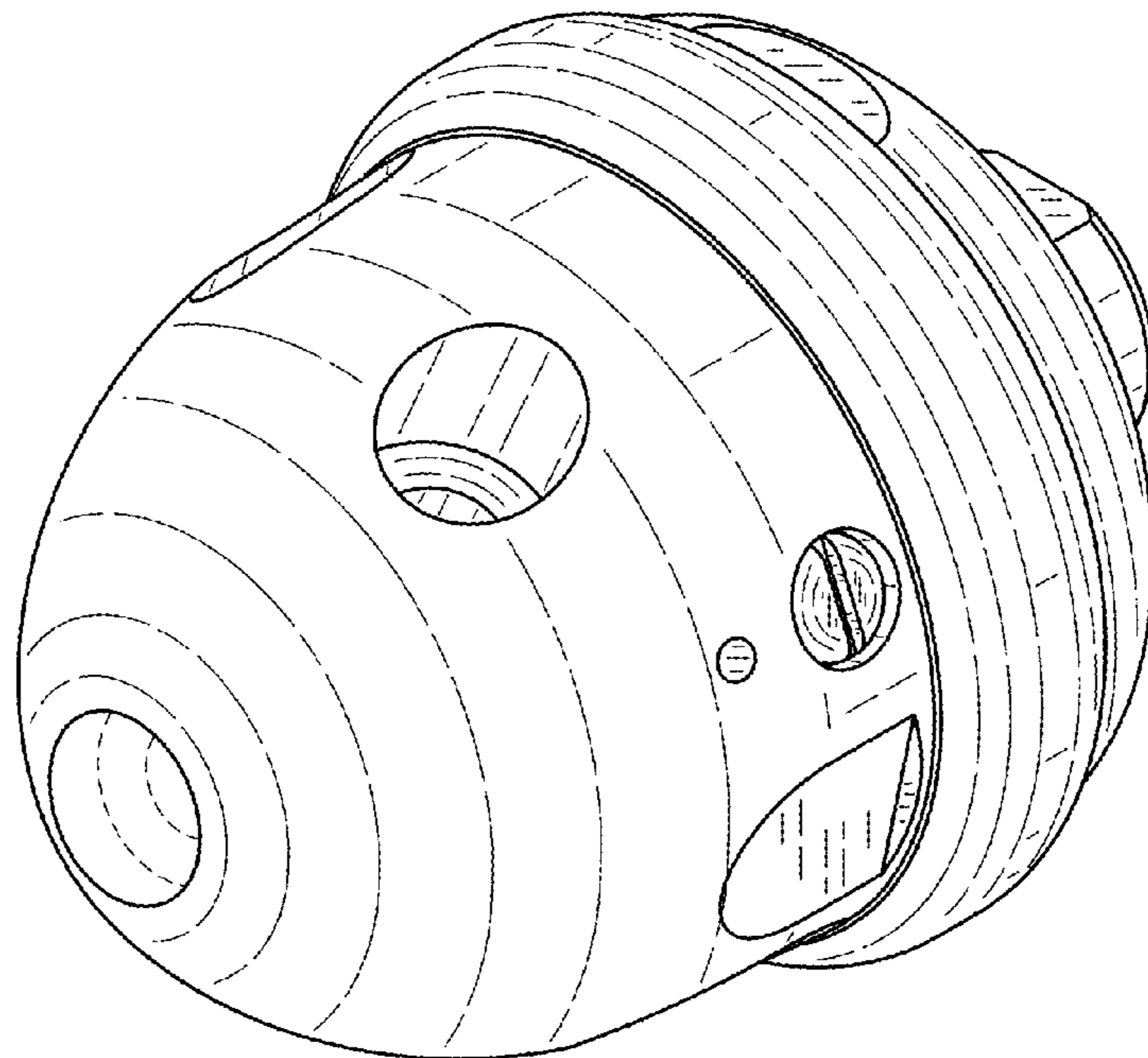
FIG. 5 is a top view of my new nozzle design.

FIG. 6 is a bottom view of my new nozzle design.

FIG. 7 is a front view of my new nozzle design. Portions shown in dashed lines form no part of my new design; and, FIG. 8 is a rear view of my new nozzle design. Portions shown in dashed lines form no part of my new design.

The broken lines shown represent portions of a high pressure rotary nozzle and form no part of the claimed design.

1 Claim, 8 Drawing Sheets



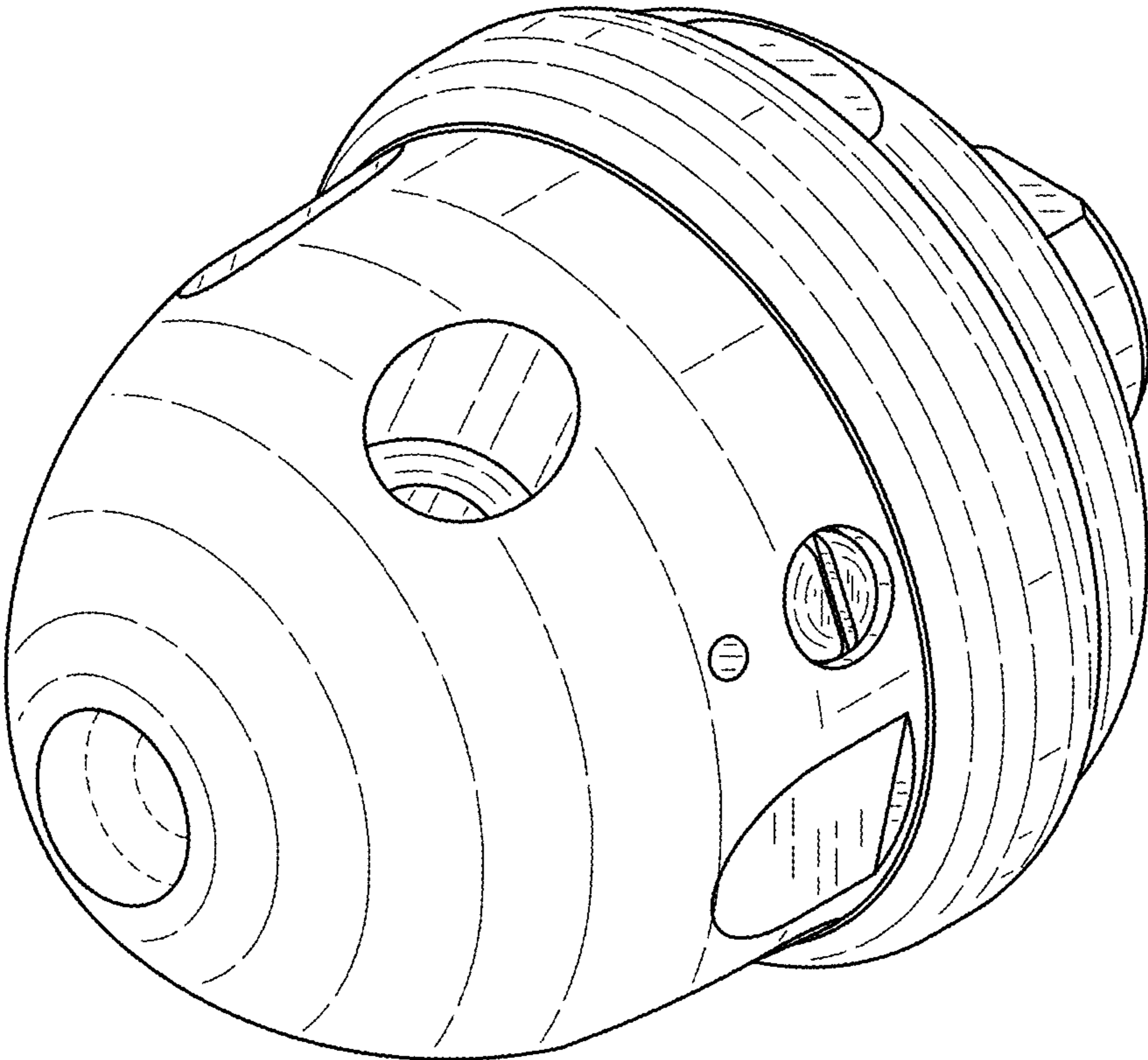


FIG.1

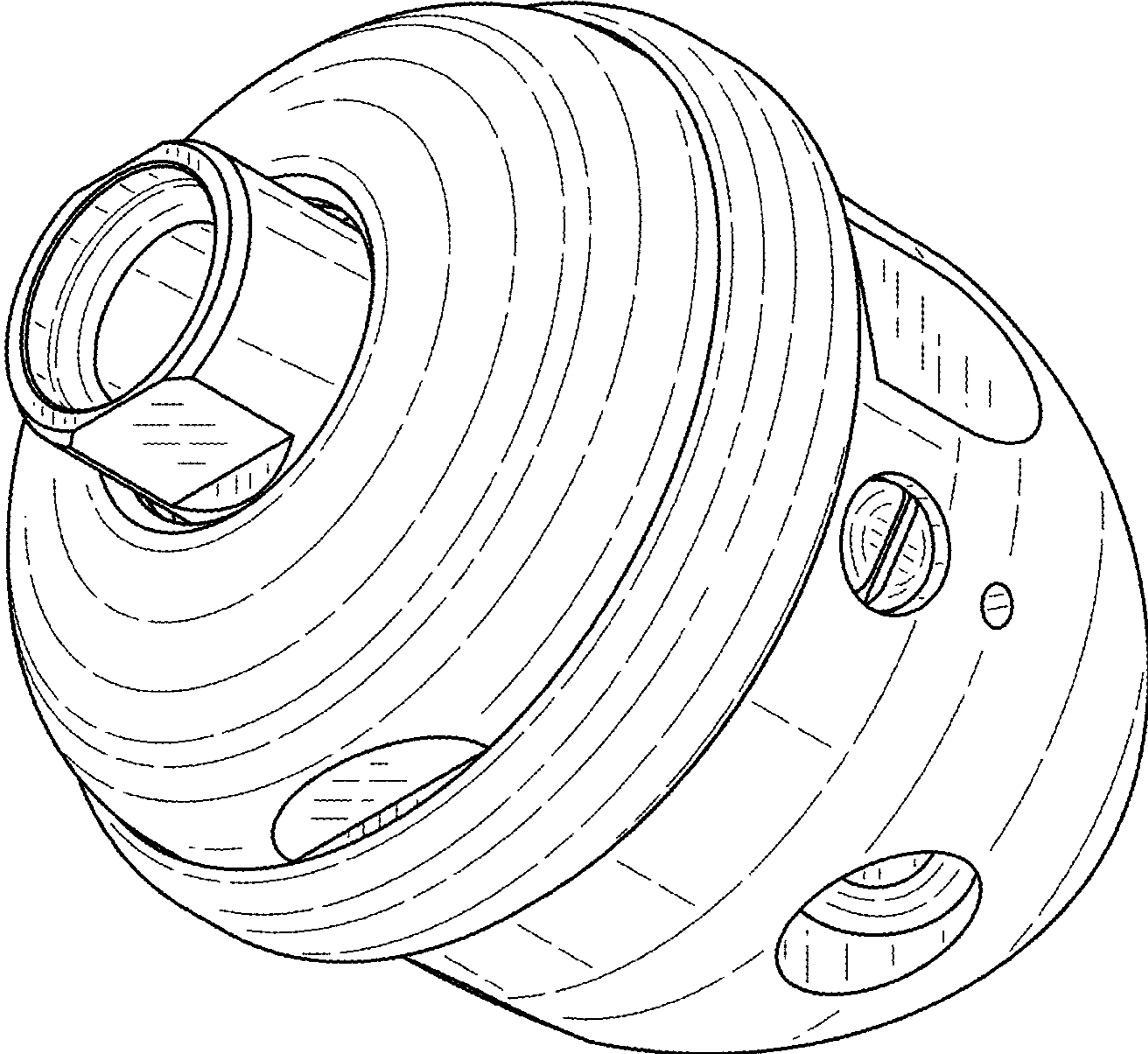


FIG.2

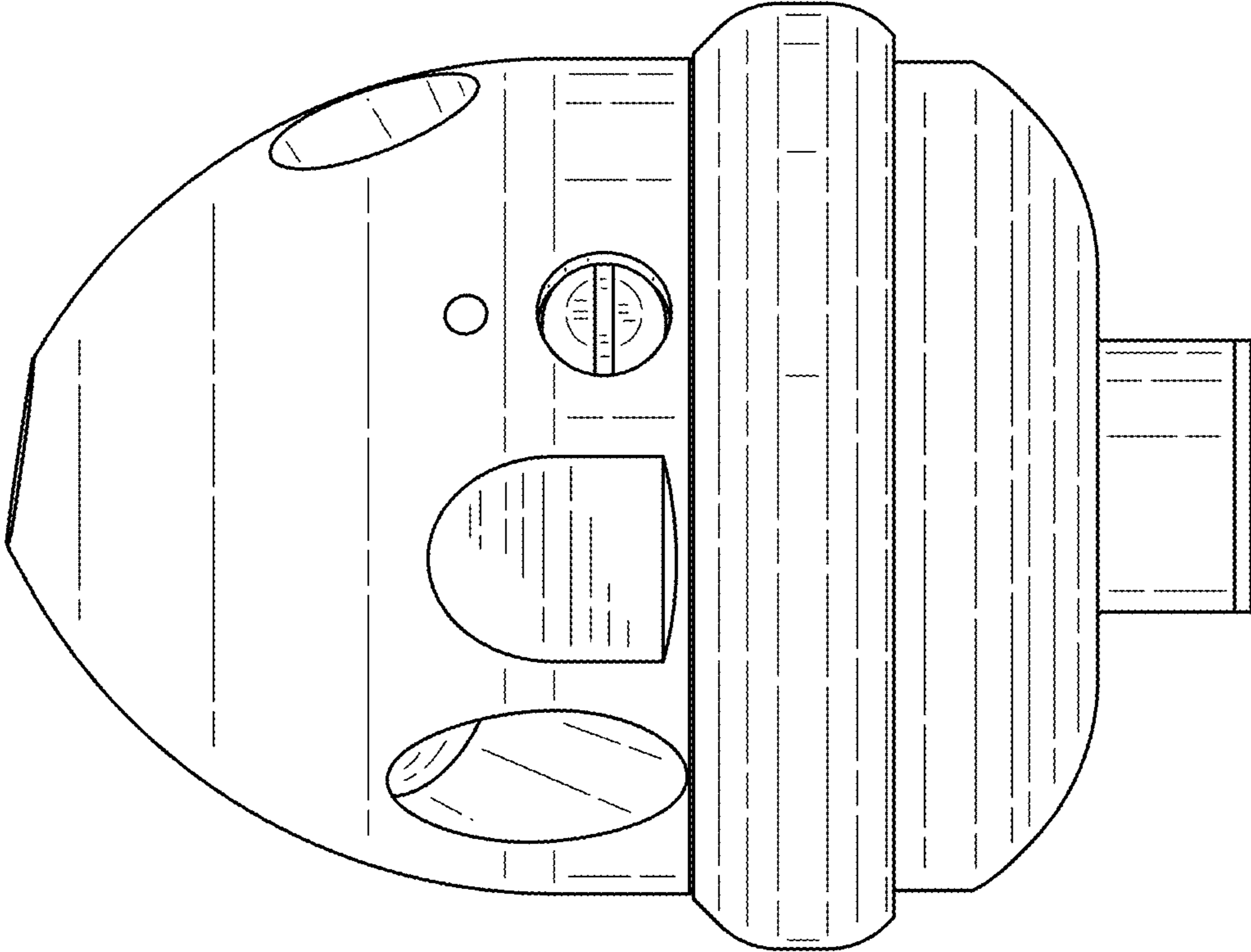


FIG.3

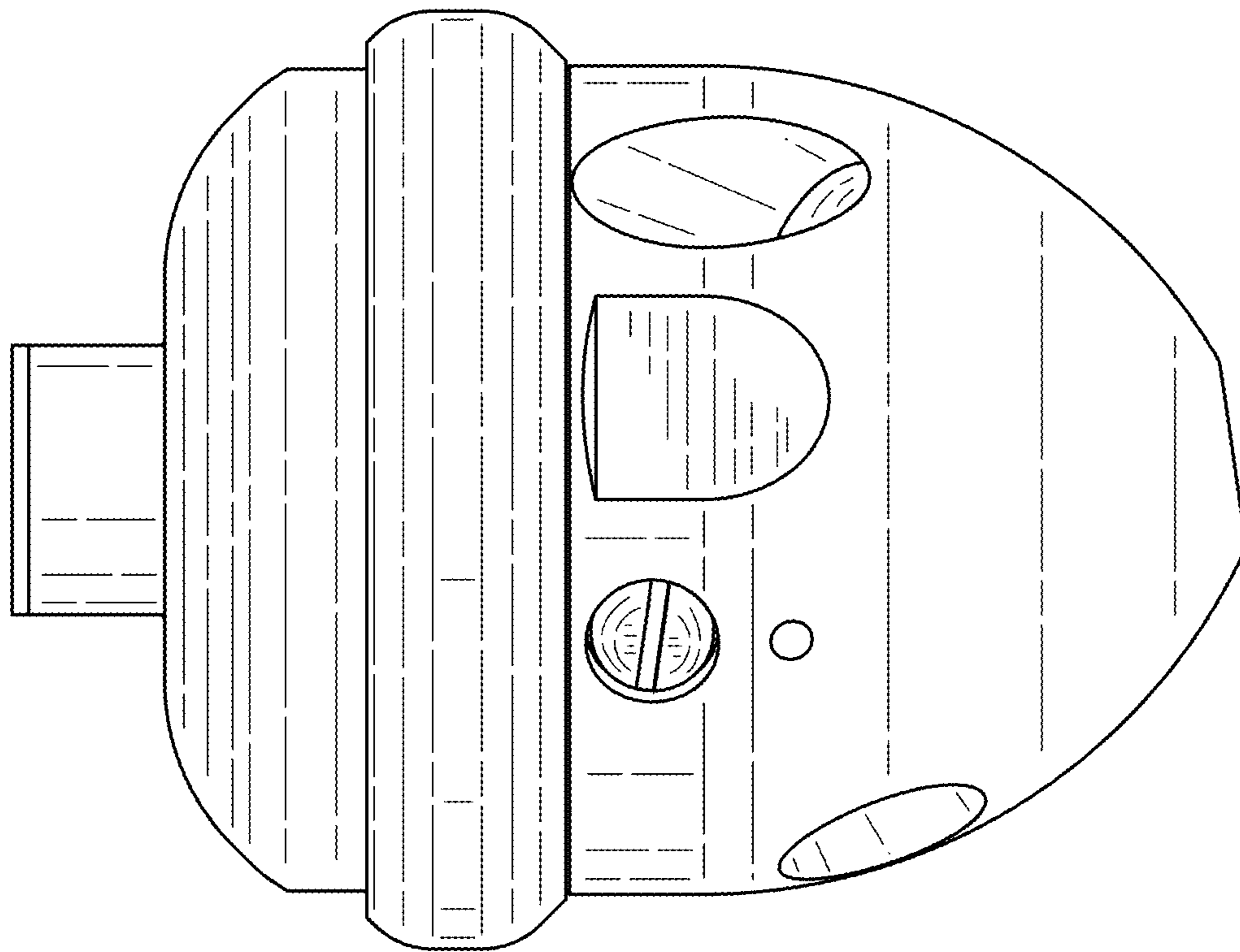


FIG.4

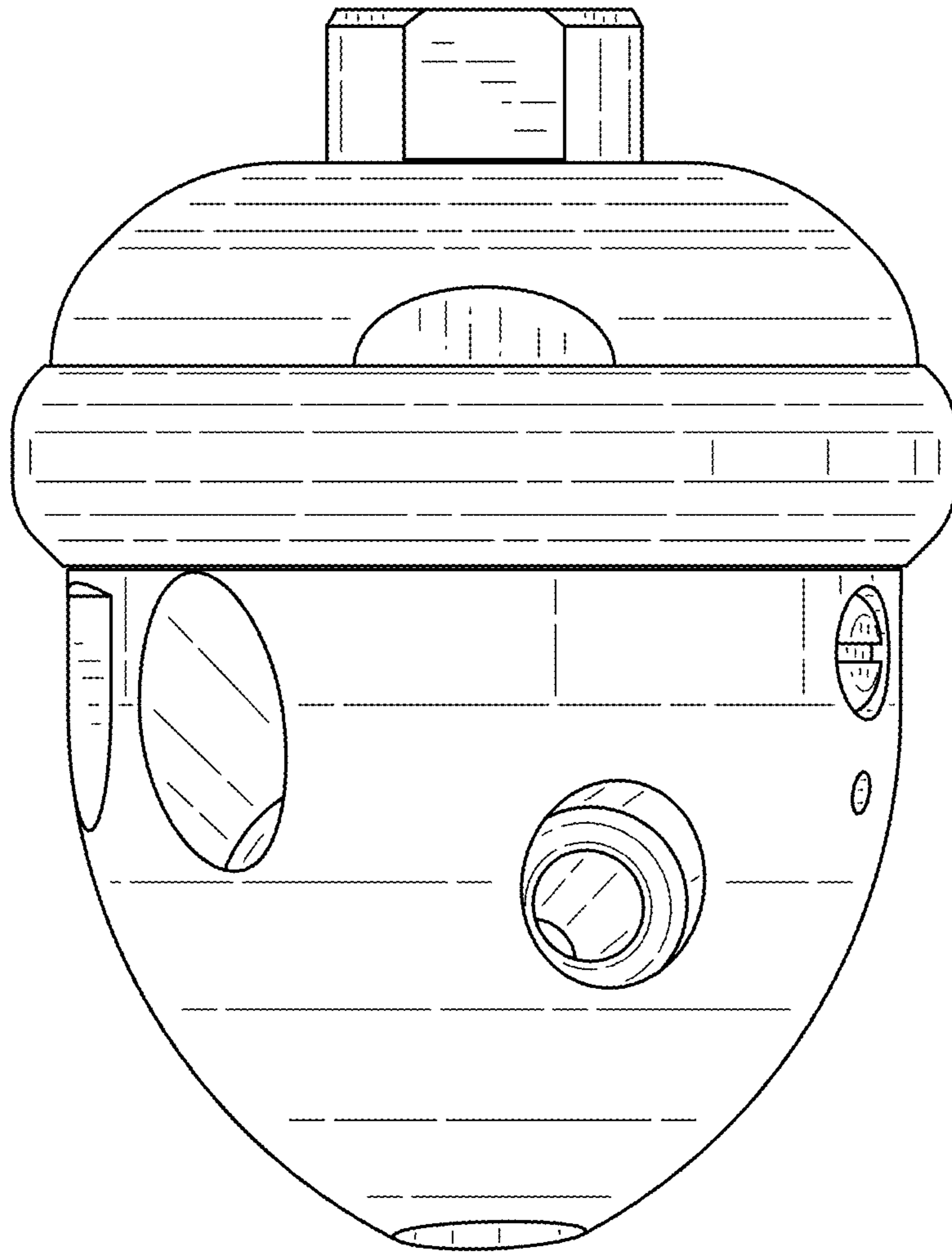


FIG.5

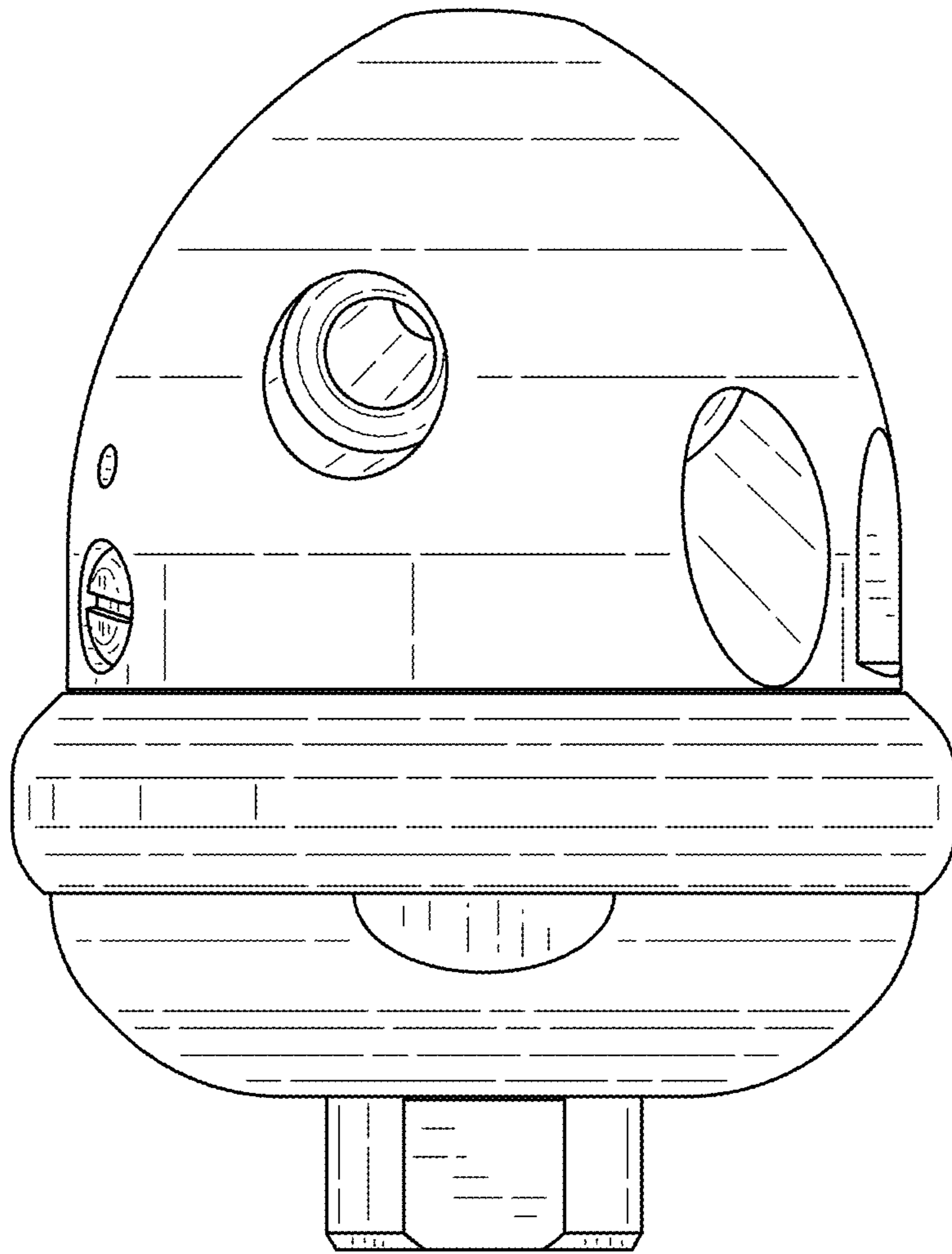


FIG.6

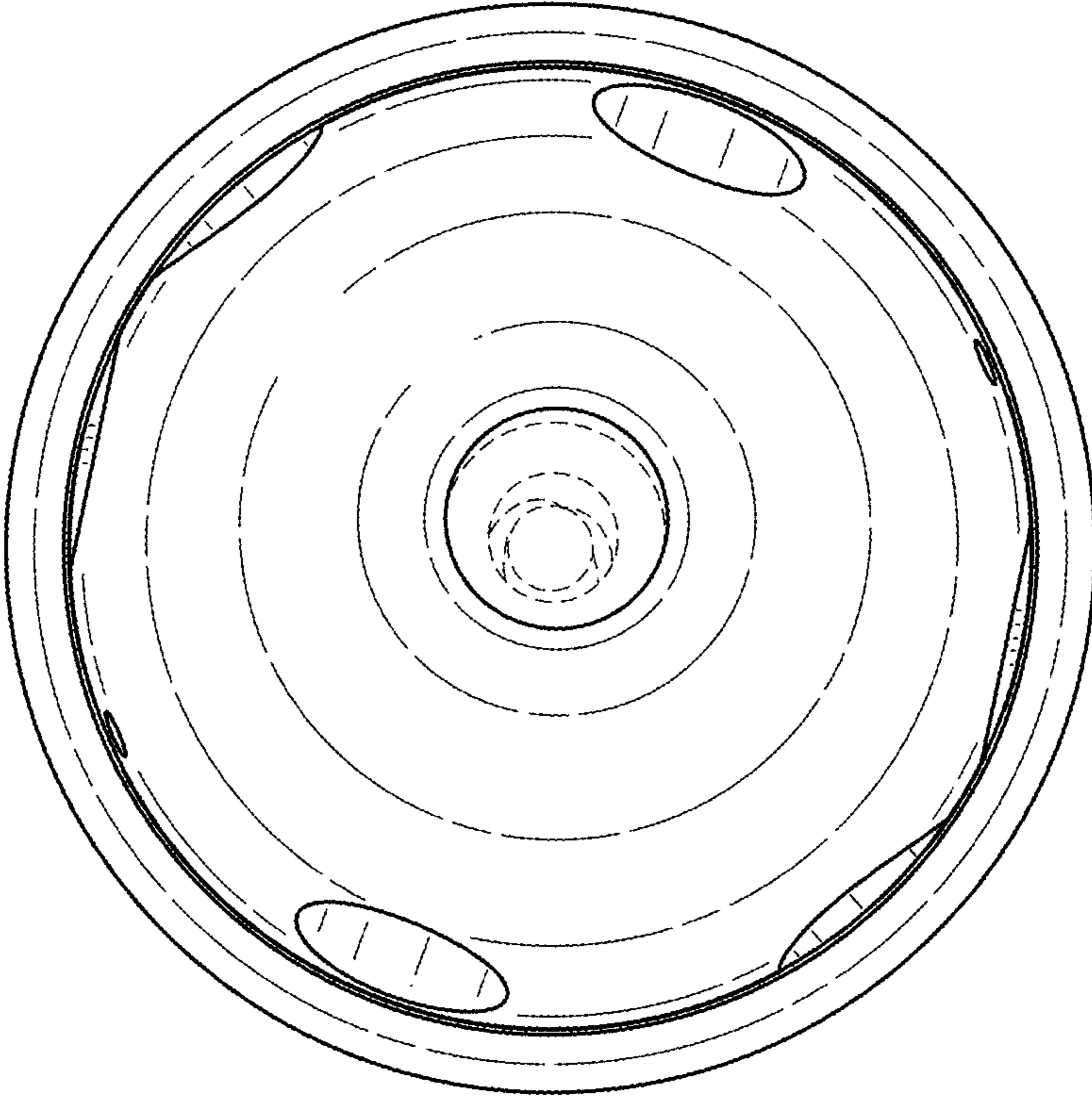


FIG.7

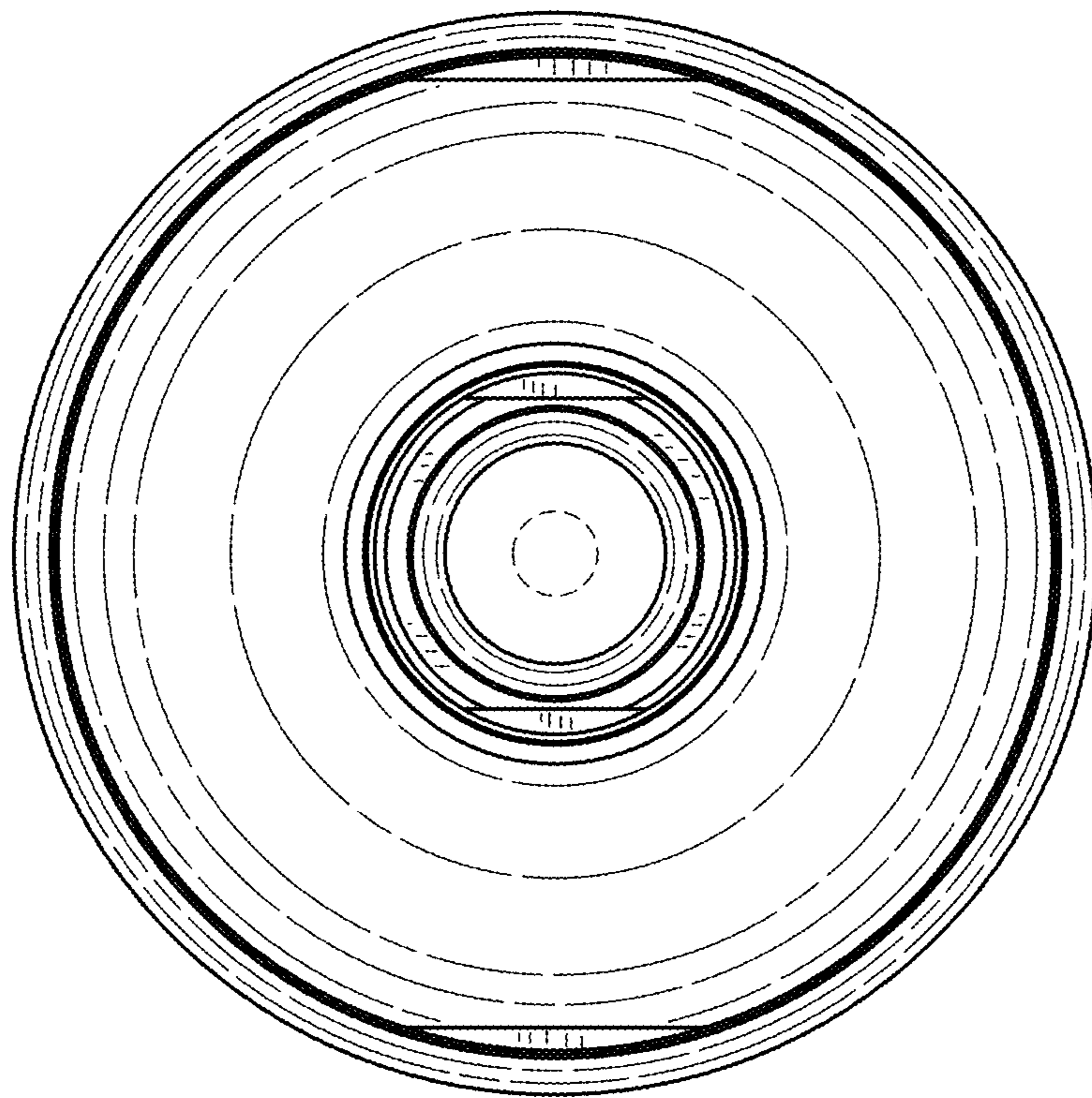


FIG. 8