



US00D900959S

(12) **United States Design Patent** (10) **Patent No.:** **US D900,959 S**  
**Graves** (45) **Date of Patent:** **\*\* Nov. 3, 2020**

(54) **HYDRO-KINETIC REACTOR TANK** 2008/0201018 A1\* 8/2008 Graves ..... G06Q 20/102  
700/275  
(71) Applicant: **Gregory D. Graves**, Milan, OH (US) 2009/0044523 A1 2/2009 Wagner et al.  
2011/0011800 A1 1/2011 Cord-Ruwisch et al.  
(72) Inventor: **Gregory D. Graves**, Milan, OH (US) 2012/0055870 A1 3/2012 Pajuniemi et al.  
2014/0076800 A1\* 3/2014 Graves ..... C02F 9/00  
210/605  
(\*\*) Term: **15 Years** 2015/0001142 A1\* 1/2015 Graves ..... C02F 3/1242  
210/198.1  
(21) Appl. No.: **29/691,285** 2017/0275193 A1\* 9/2017 Graves ..... C02F 9/00  
(22) Filed: **May 15, 2019**

**FOREIGN PATENT DOCUMENTS**

DE 29803069 U1 4/1998

**Related U.S. Application Data**

(63) Continuation of application No. 14/257,881, filed on Apr. 21, 2014.  
(51) **LOC (12) Cl.** ..... **23-01**  
(52) **U.S. Cl.**  
USPC ..... **D23/202**  
(58) **Field of Classification Search**  
USPC ..... D23/202, 203, 204, 205, 206; D15/5  
CPC .. C02F 3/1242; C02F 3/288; C02F 2201/007;  
C02F 2203/00  
See application file for complete search history.

**OTHER PUBLICATIONS**

Non-Final Office Action dated Jan. 6, 2020 for corresponding U.S. Appl. No. 14/257,881.

\* cited by examiner

*Primary Examiner* — Ania Aman  
(74) *Attorney, Agent, or Firm* — Miles & Stockbridge P.C.; David R. Schaffer

(56) **References Cited**

**U.S. PATENT DOCUMENTS**

1,653,487 A 12/1927 White  
D207,293 S \* 3/1967 Ferm ..... D23/203  
D239,506 S \* 4/1976 Myers ..... D23/202  
4,359,167 A \* 11/1982 Fouss ..... B65D 88/04  
220/675  
5,741,453 A 4/1998 Kennedy  
D492,000 S \* 6/2004 Festa ..... D23/203  
D498,815 S \* 11/2004 Greer ..... D23/203  
D651,278 S \* 12/2011 Graves ..... D23/202  
8,137,544 B1 3/2012 Graves  
8,151,999 B1 \* 4/2012 Moore, Jr. .... E03F 11/00  
210/532.2  
10,167,216 B2 \* 1/2019 Graves ..... C02F 9/00  
2006/0096919 A1 5/2006 Han et al.  
2008/0041782 A1 2/2008 Pattee  
2008/0128351 A1 6/2008 Elliott et al.

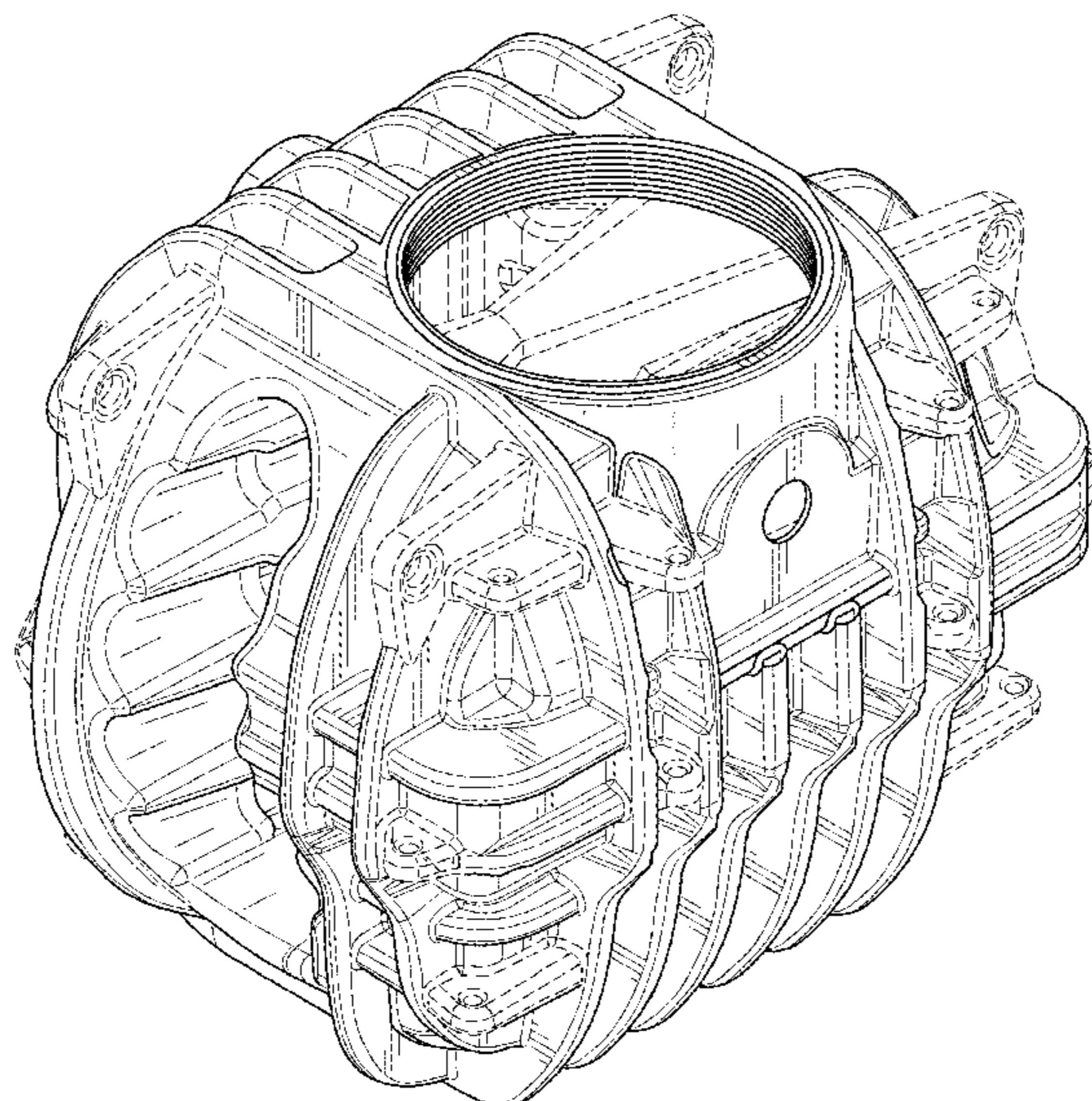
(57) **CLAIM**

The ornamental design for a hydro-kinetic reactor tank, as shown and described.

**DESCRIPTION**

FIG. 1 is a front perspective view of a hydro-kinetic reactor tank showing my new design;  
FIG. 2 is a rear elevational view thereof;  
FIG. 3 is a top plan view thereof;  
FIG. 4 is a left side elevational view thereof and an unshown right side is a mirror image of the left side view;  
FIG. 5 is a front elevational view thereof; and,  
FIG. 6 is a bottom plan view thereof.  
The elements shown in broken line are for illustrative purposes only and form no part of the claimed design.

**1 Claim, 6 Drawing Sheets**



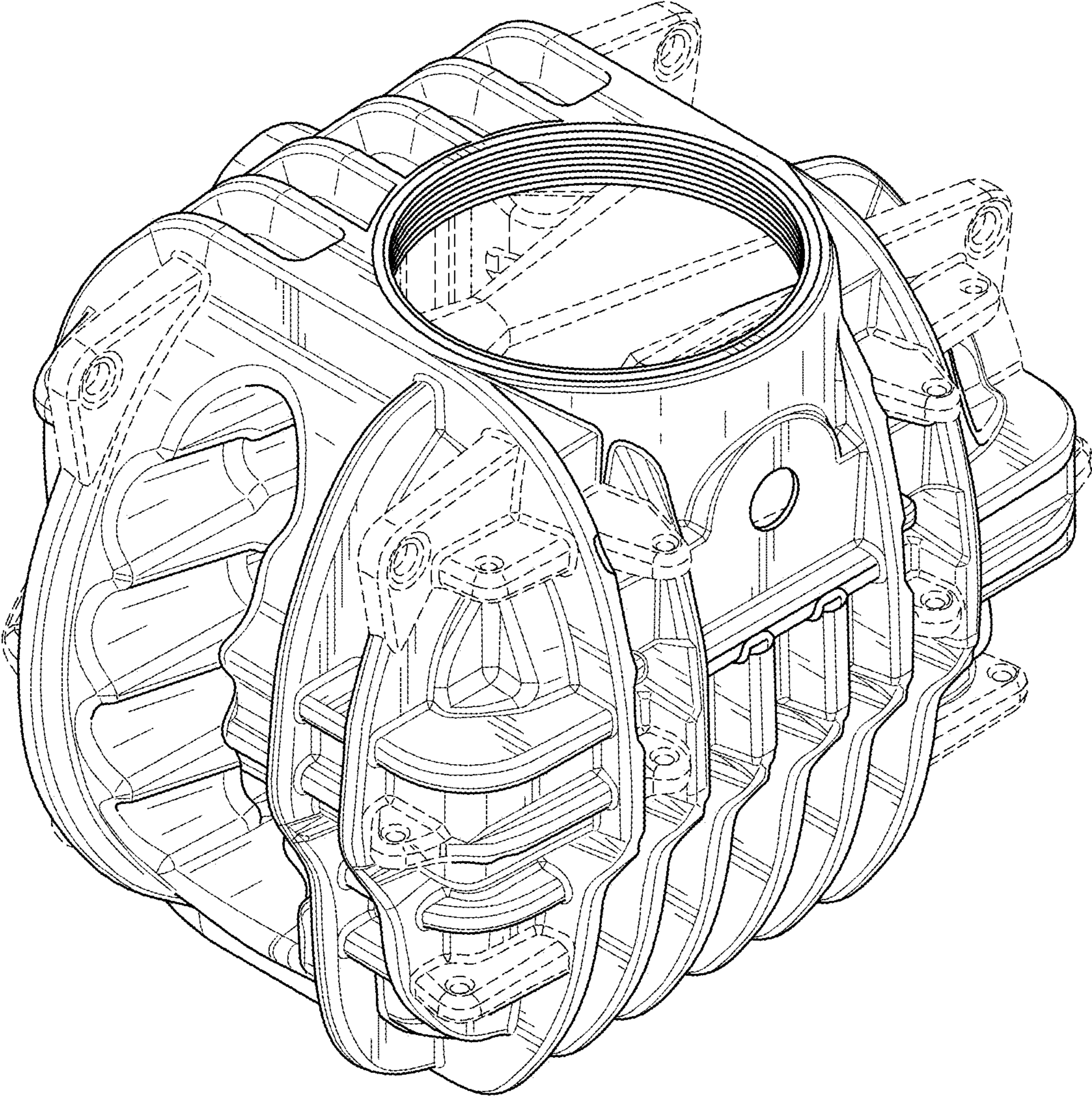


FIG. 1

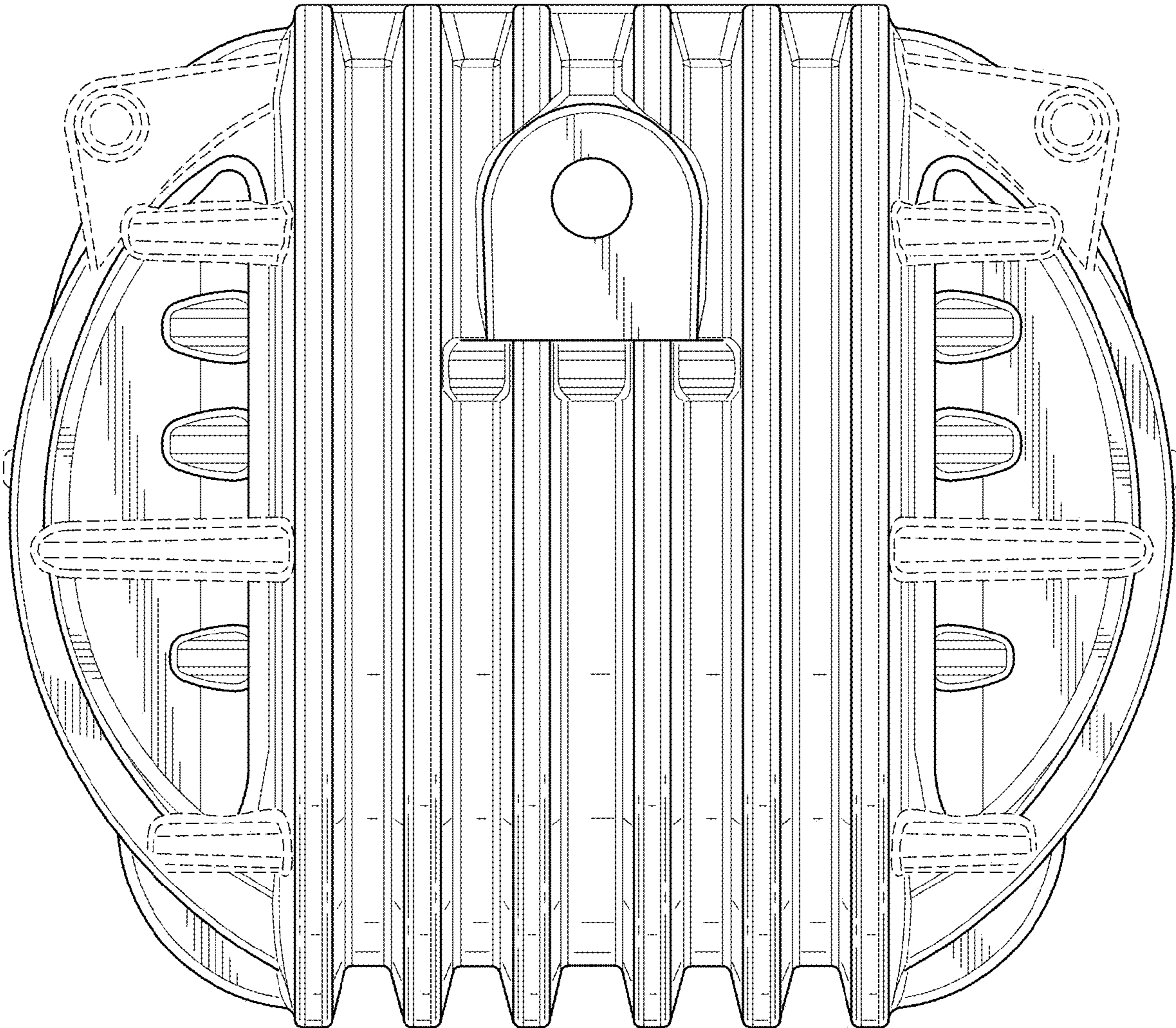


FIG. 2

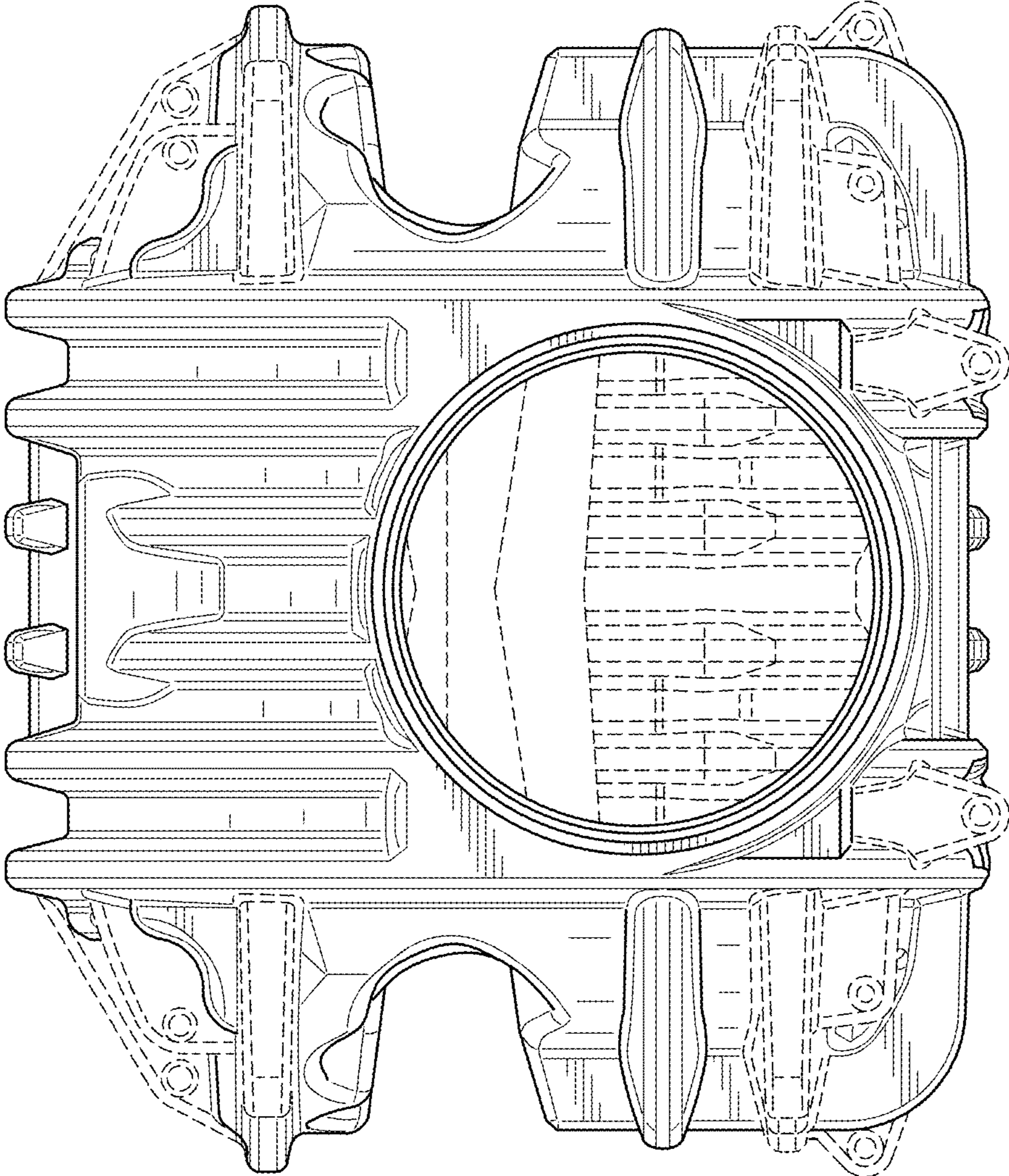


FIG. 3

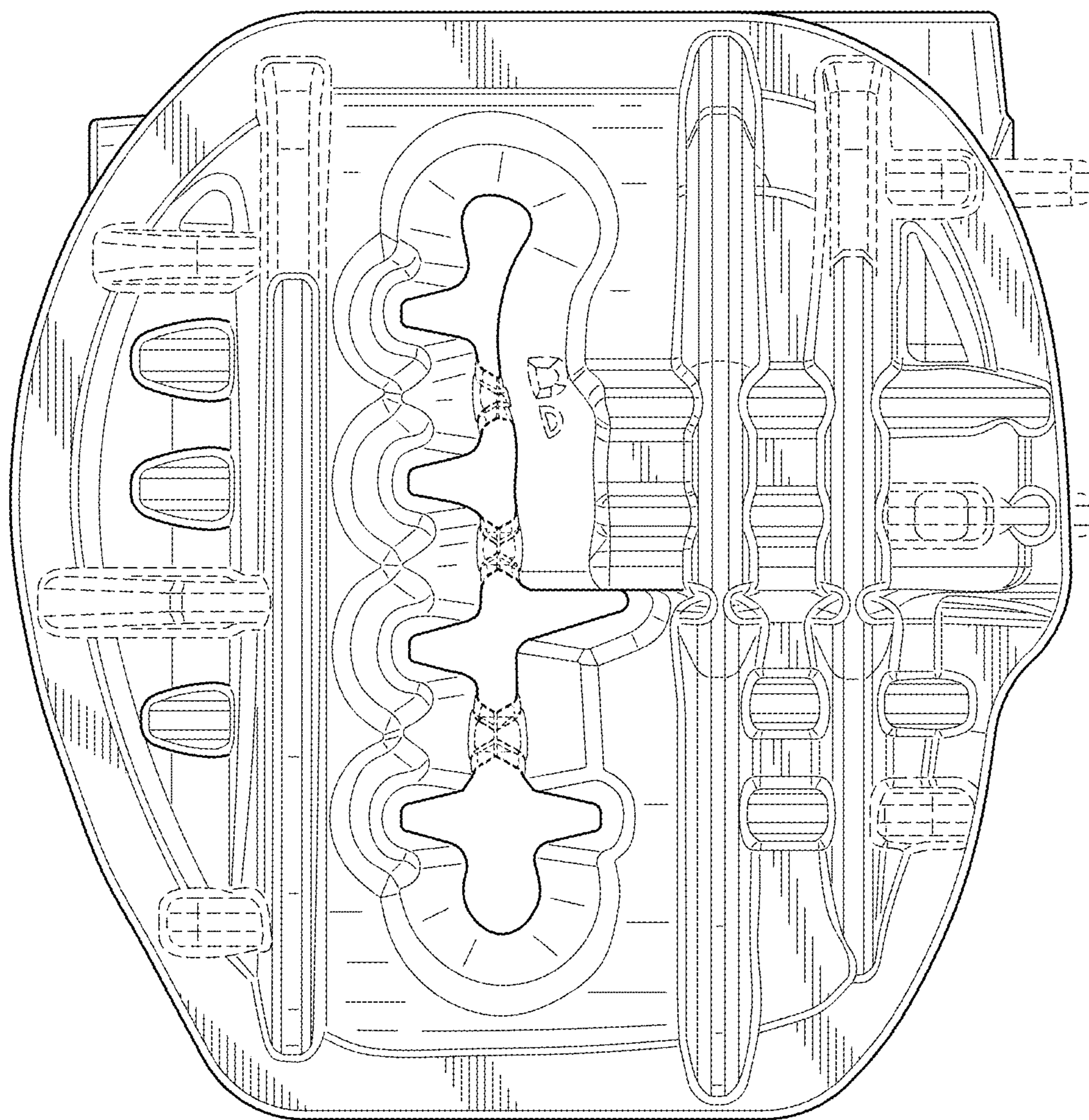


FIG. 4

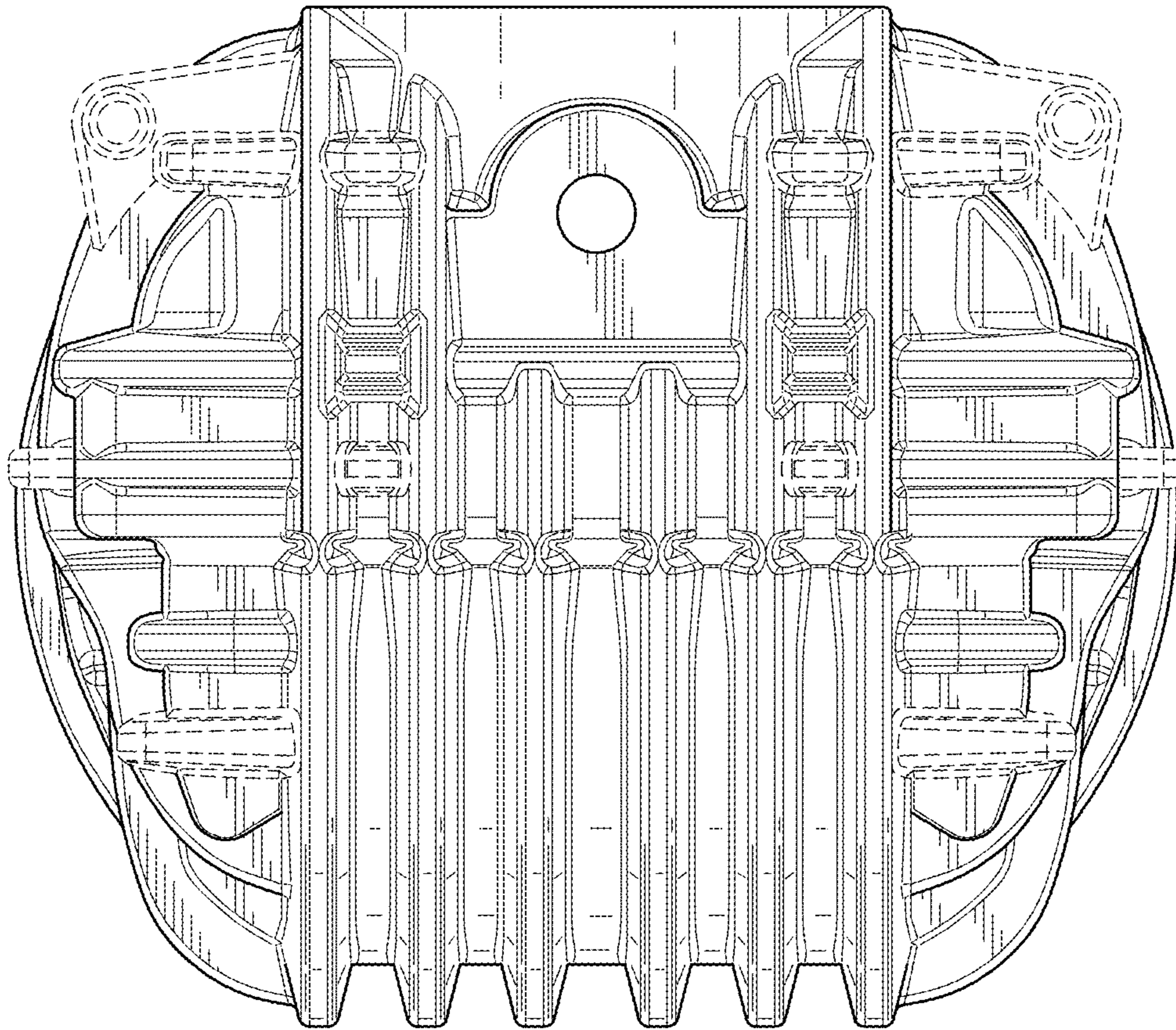


FIG. 5

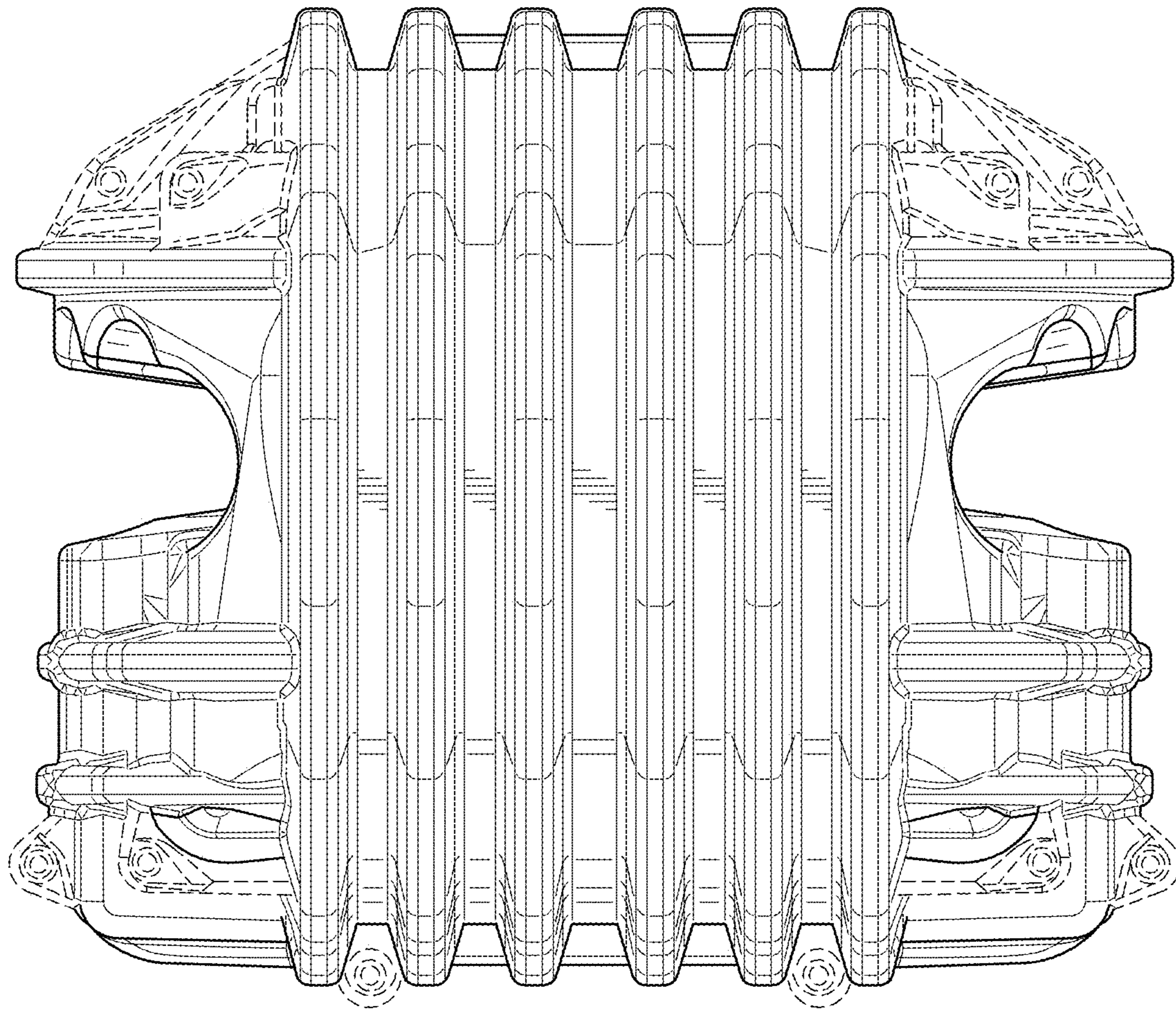


FIG. 6