



US00D900958S

(12) **United States Design Patent** (10) **Patent No.:** **US D900,958 S**
Sheesley (45) **Date of Patent:** **** Nov. 3, 2020**

(54) **FINE DRY-BULK COMMODITY CONTAINER WITH INSERT**

(71) Applicant: **Can Do Logistics LLC**, Berlin, WI (US)

(72) Inventor: **John M. Sheesley**, San Antonio, TX (US)

(73) Assignee: **Can Do Logistics LLC**, Berlin, WI (US)

(**) Term: **15 Years**

(21) Appl. No.: **29/663,275**

(22) Filed: **Sep. 13, 2018**

(51) **LOC (12) Cl.** **23-01**

(52) **U.S. Cl.**
USPC **D23/202; D3/272**

(58) **Field of Classification Search**
USPC **D3/272, 273, 279, 289, 321, 902; D23/202**
CPC **B65D 88/30; B65D 88/00; B65D 88/10; B65D 88/26; B65D 88/542**
See application file for complete search history.

(56) **References Cited**

U.S. PATENT DOCUMENTS

D216,511 S *	1/1970	Coleman	D23/202
D275,031 S *	8/1984	Moyse	D23/202
D337,809 S *	7/1993	Dietzen	D23/202
6,401,983 B1 *	6/2002	McDonald	B65D 88/128 220/1.5
D688,351 S *	8/2013	Oren	B65D 88/00 D23/202
D688,772 S *	8/2013	Oren	D23/202
8,585,341 B1 *	11/2013	Oren	B65D 88/542 414/411

RE45,788 E *	11/2015	Oren	D23/202
D780,883 S *	3/2017	Schaffner	D23/202
D783,771 S *	4/2017	Stegemoeller	D23/202
D878,757 S *	3/2020	Hess	D3/272
2014/0083554 A1 *	3/2014	Harris	B65D 88/30 141/1
2016/0039433 A1 *	2/2016	Oren	B65D 88/30 414/802
2016/0130095 A1 *	5/2016	Oren	B65D 88/30 414/414
2017/0320660 A1 *	11/2017	Sanders	B65D 88/30
2018/0093823 A1 *	4/2018	Hess	B65D 88/30

* cited by examiner

Primary Examiner — April Rivas

(74) *Attorney, Agent, or Firm* — Christopher M. Scherer; DeWitt LLP

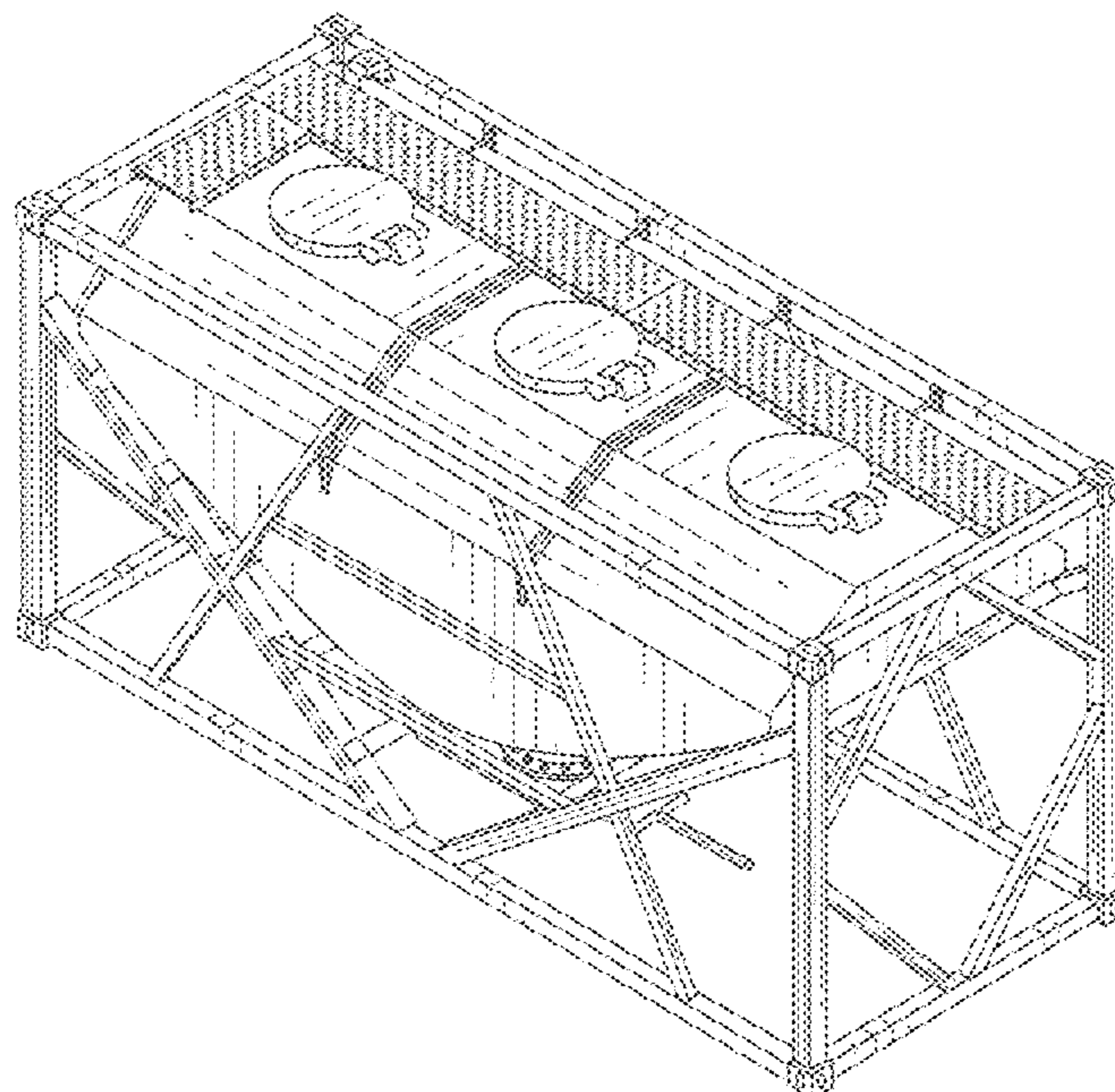
(57) **CLAIM**

The ornamental design for a fine dry-bulk commodity container with insert, as shown and described.

DESCRIPTION

FIG. 1 is a front view of a fine dry-bulk commodity container with insert;
 FIG. 2 is a back view of FIG. 1;
 FIG. 3 is a right-side elevation view of FIG. 1;
 FIG. 4 is a left side elevational view thereof, the opposite side being a mirror image thereof;
 FIG. 5 is a perspective of the cargo pouch in a folded configuration; and
 FIG. 6 is a left side elevational view of the cargo pouch in folded configuration, the opposite side being a mirror image thereof; and,
 FIG. 7 is a perspective view of the fine dry-bulk commodity container with insert.

1 Claim, 6 Drawing Sheets



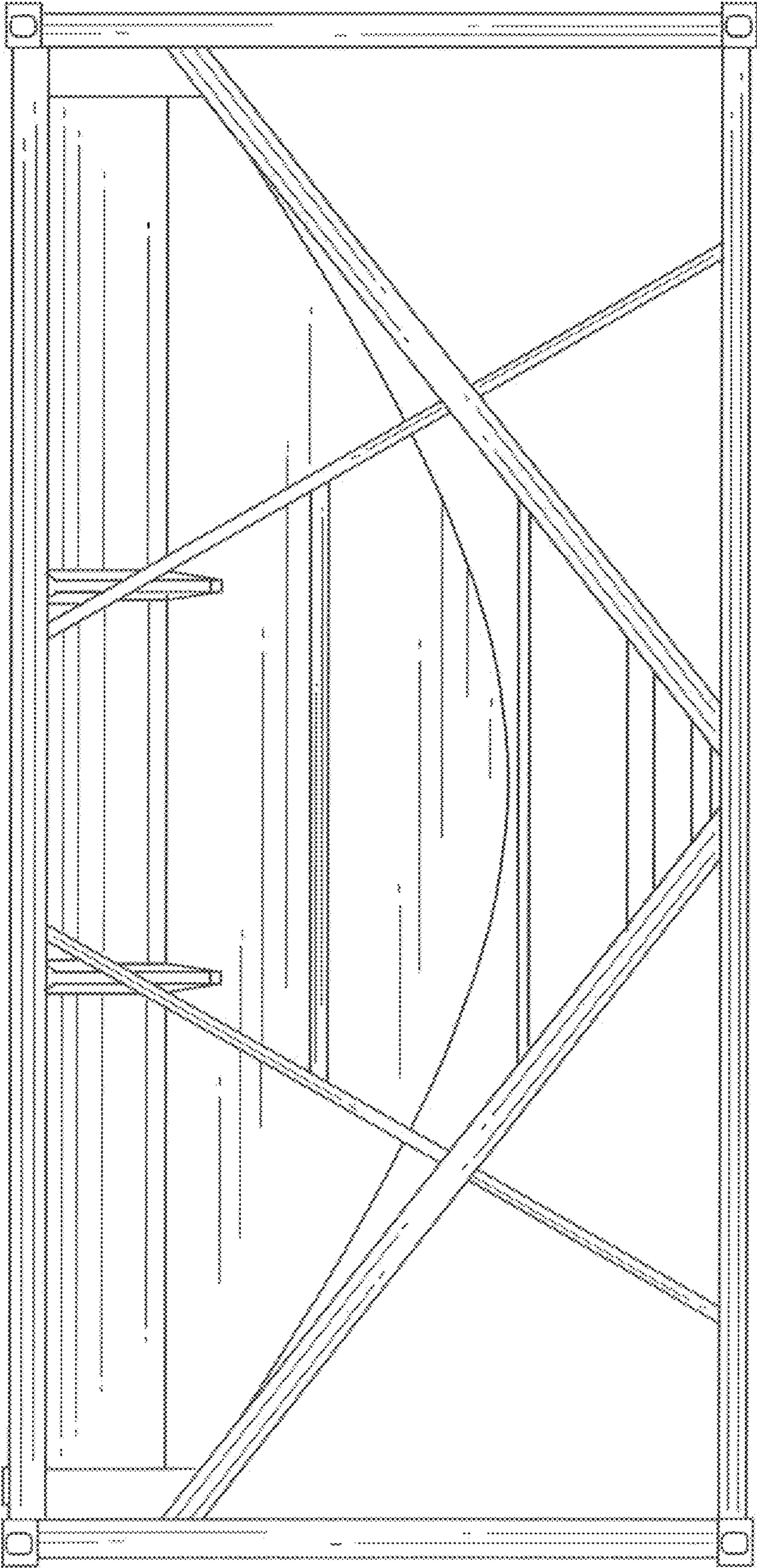


Fig. 1

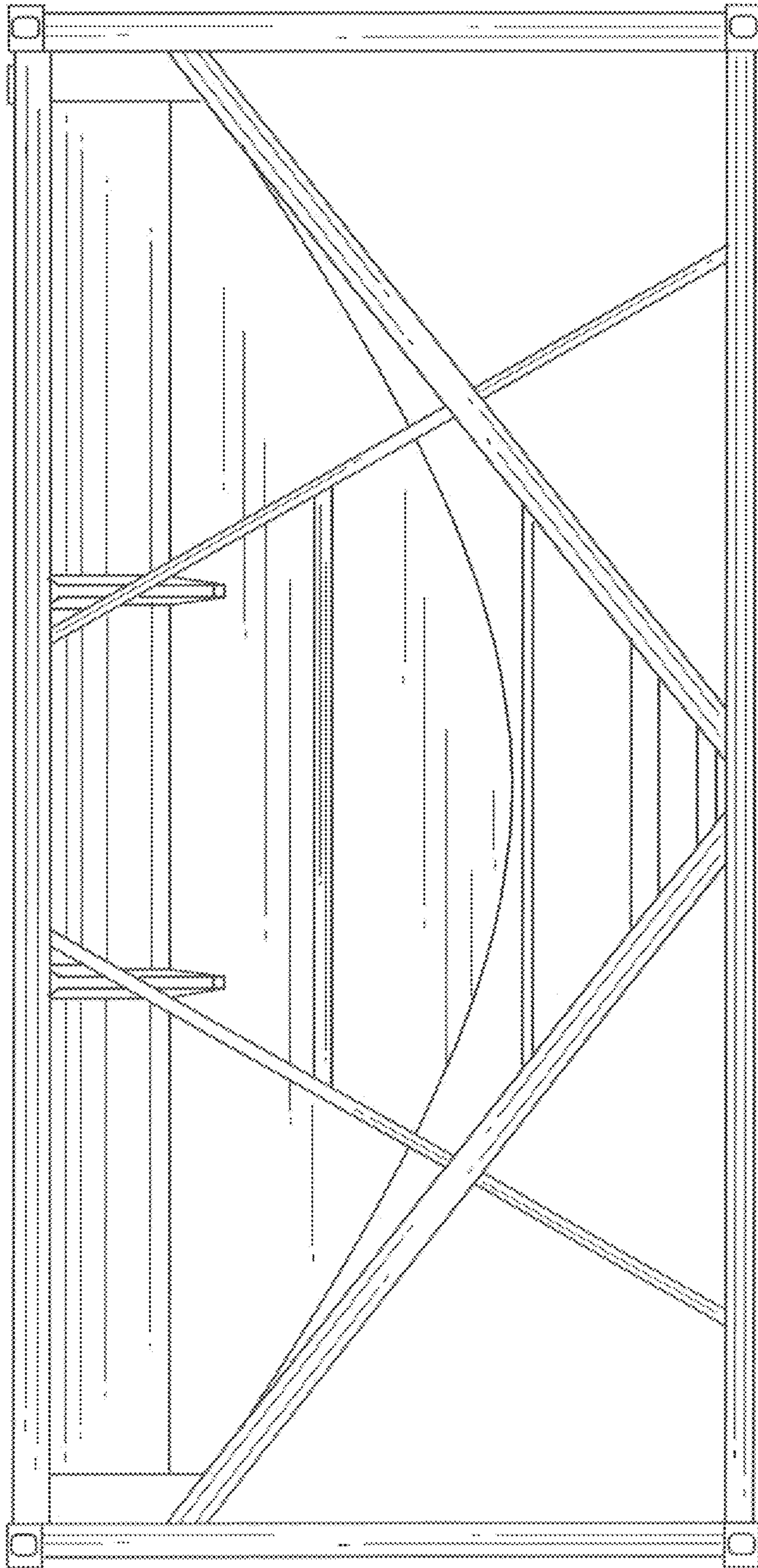


Fig. 2

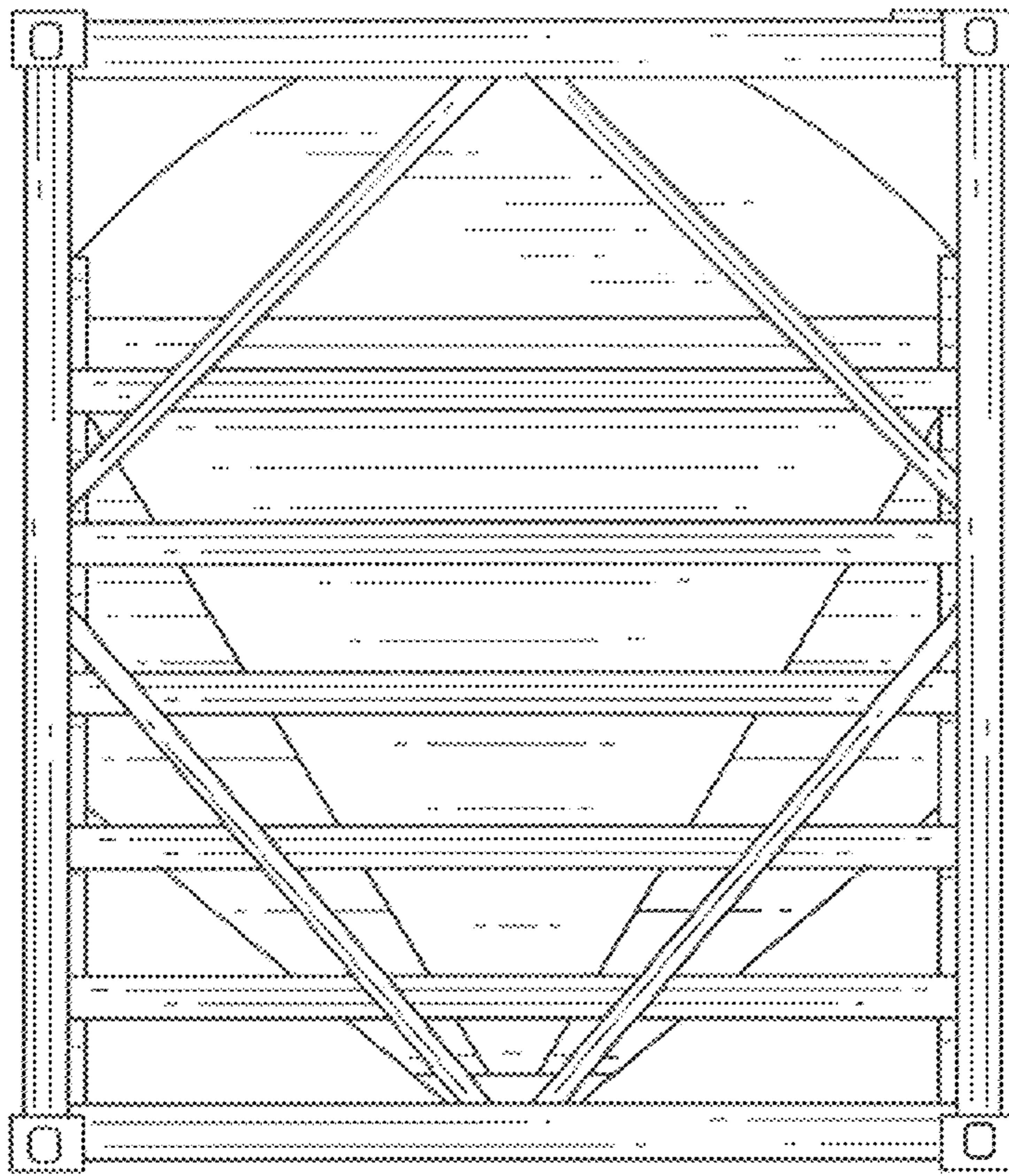


Fig. 3

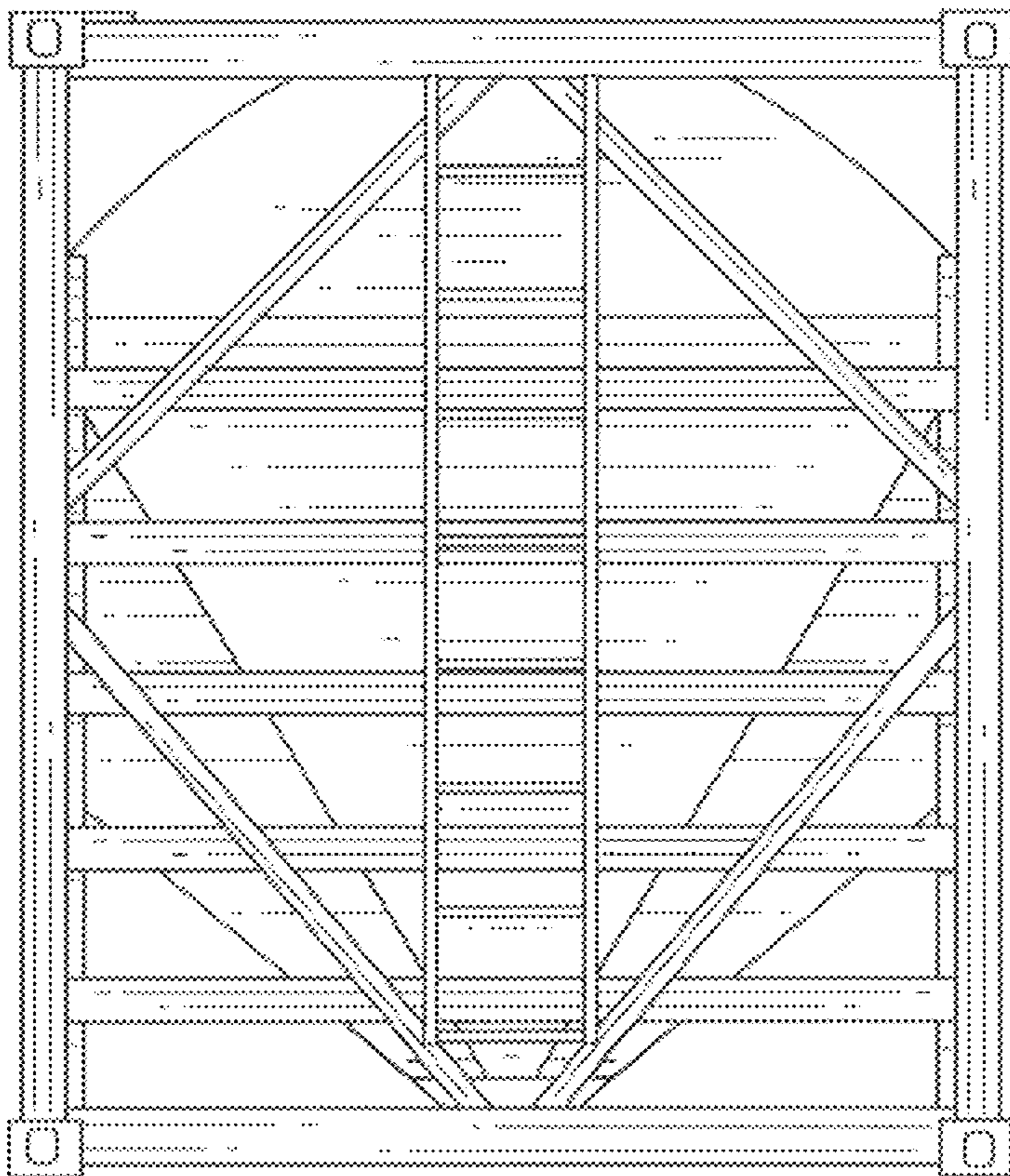


Fig. 4

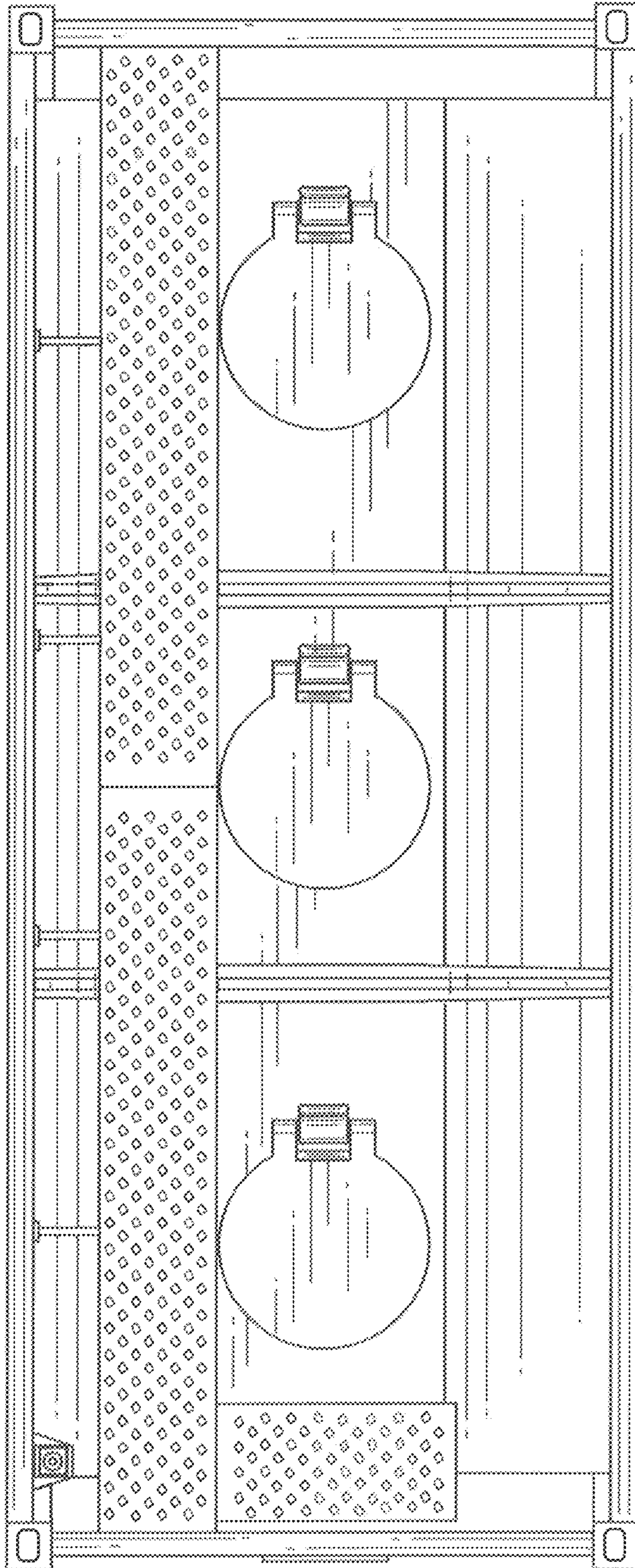


Fig. 5

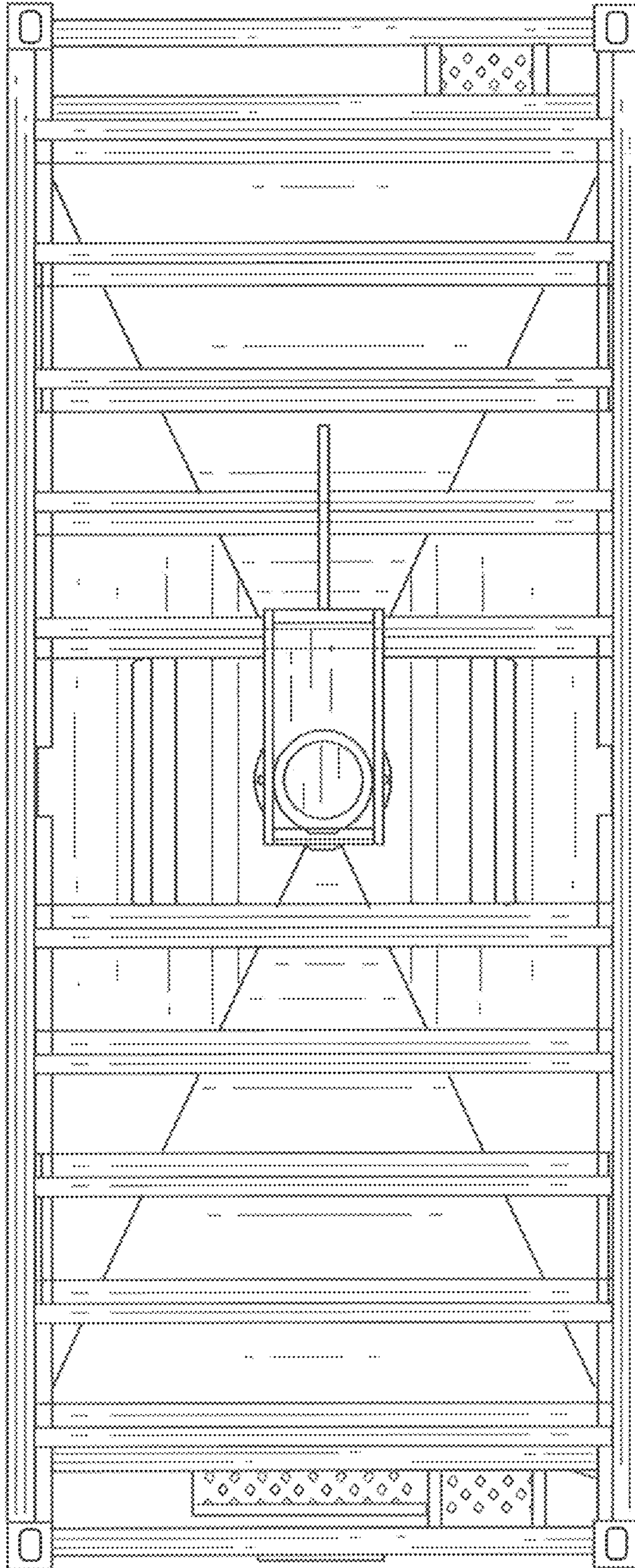


Fig. 6

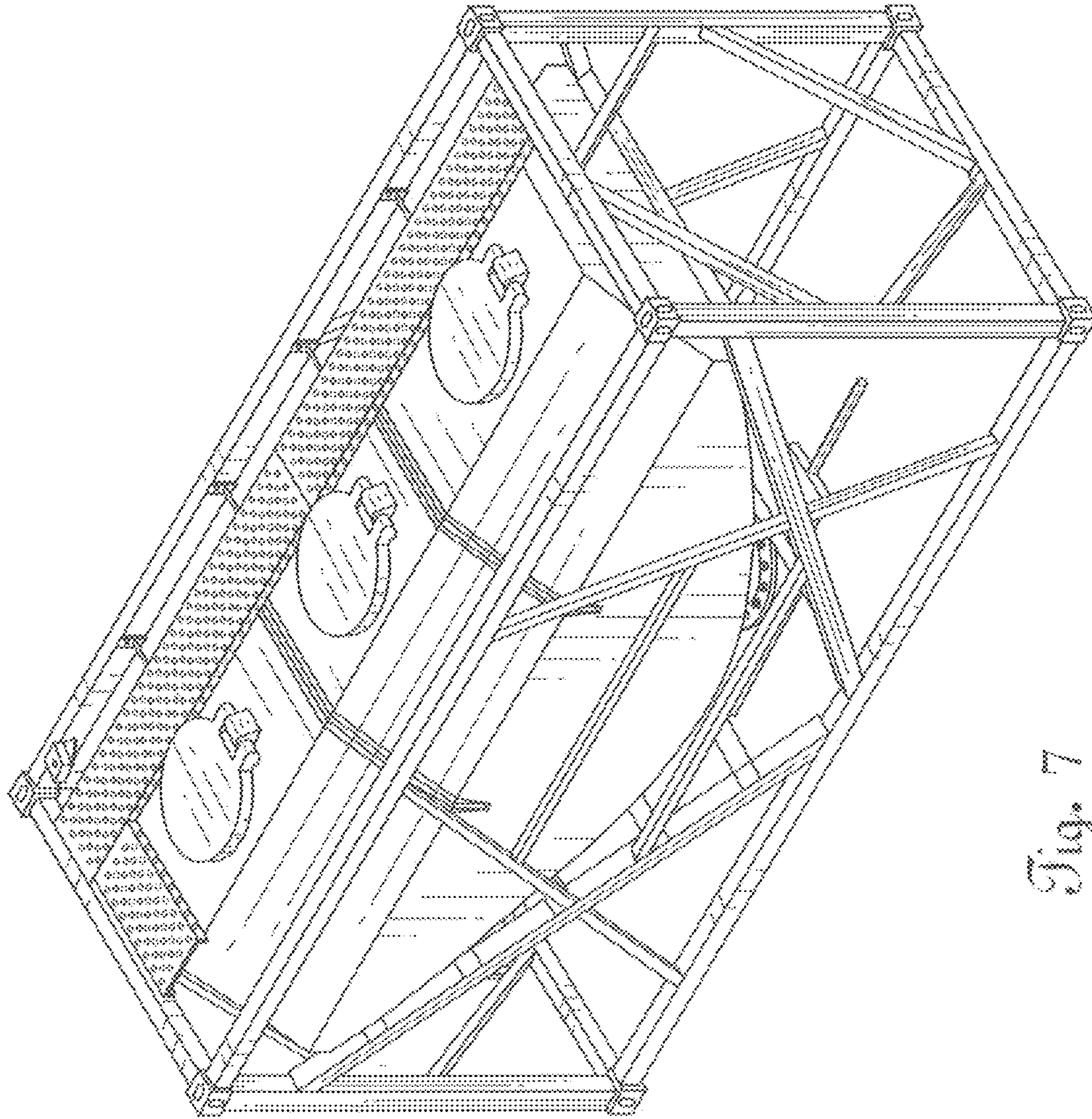


Fig. 7