



US00D900957S

(12) **United States Design Patent**  
**Du**

(10) **Patent No.:** **US D900,957 S**

(45) **Date of Patent:** **\*\* Nov. 3, 2020**

(54) **MOSQUITO KILLER LAMP**  
(71) Applicant: **Xueyuan Du**, Chengdu (CN)  
(72) Inventor: **Xueyuan Du**, Chengdu (CN)  
(\*\*) Term: **15 Years**

D787,011 S \* 5/2017 Zhang ..... D22/123  
D821,537 S \* 6/2018 Ye ..... D22/123  
D841,763 S \* 2/2019 Rubel ..... D22/123  
D868,932 S \* 12/2019 Zhu ..... D22/123  
D870,233 S \* 12/2019 Zhu ..... D22/123  
D887,524 S \* 6/2020 Lou ..... D22/123  
2007/0056207 A1 \* 3/2007 Chen ..... A01M 1/026  
43/112

(21) Appl. No.: **29/698,707**  
(22) Filed: **Jul. 18, 2019**  
(51) **LOC (12) Cl.** ..... **22-06**  
(52) **U.S. Cl.**  
USPC ..... **D22/123**  
(58) **Field of Classification Search**  
USPC ..... D22/120, 122-123; 43/107, 112-114,  
43/121-122, 131, 132.1, 139  
CPC ..... A01M 1/04; A01M 1/08; A01M 1/026;  
A01M 1/223; A01M 2200/012  
See application file for complete search history.

\* cited by examiner

*Primary Examiner* — Catherine R Oliver-Garcia  
(74) *Attorney, Agent, or Firm* — Che-Yang Chen; Law  
Office of Michael Chen

(56) **References Cited**

**U.S. PATENT DOCUMENTS**

1,539,360 A \* 5/1925 Knutsson ..... A01M 1/04  
43/112  
3,319,374 A \* 5/1967 Gawne ..... A01M 1/08  
43/112  
D210,015 S \* 1/1968 Kahn ..... D22/123  
3,473,251 A \* 10/1969 Kahn ..... A01M 1/223  
43/112  
D612,902 S \* 3/2010 Fleming ..... D22/123

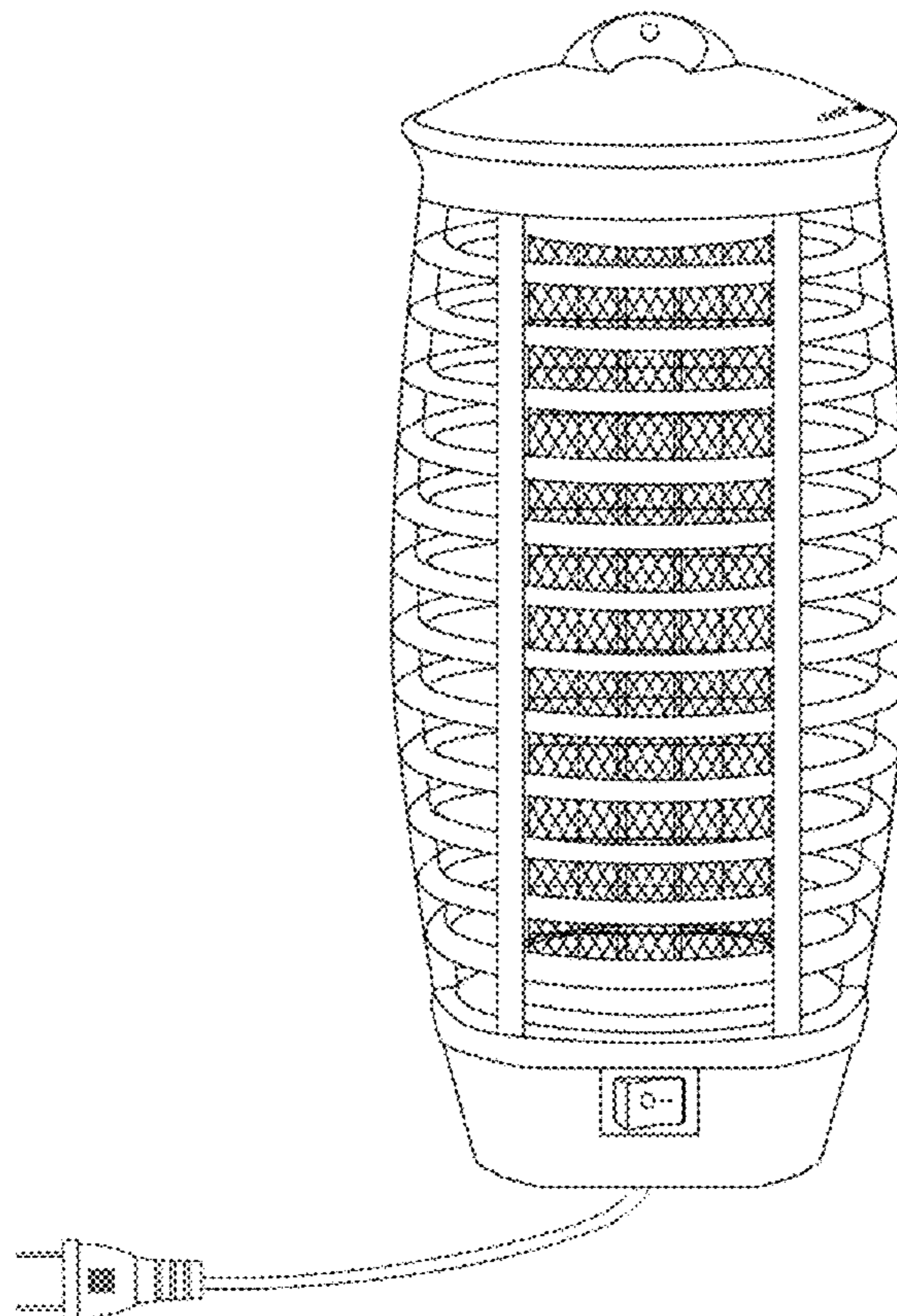
(57) **CLAIM**

The ornamental design for a mosquito killer lamp, as shown  
and described.

**DESCRIPTION**

FIG. 1 is a perspective view of a mosquito killer lamp  
showing my new design;  
FIG. 2 is a front elevational view thereof;  
FIG. 3 is a rear elevational view thereof;  
FIG. 4 is a left side elevational view thereof;  
FIG. 5 is a right side elevational view thereof;  
FIG. 6 is a top plan view thereof; and,  
FIG. 7 is a bottom plan view thereof.

**1 Claim, 7 Drawing Sheets**



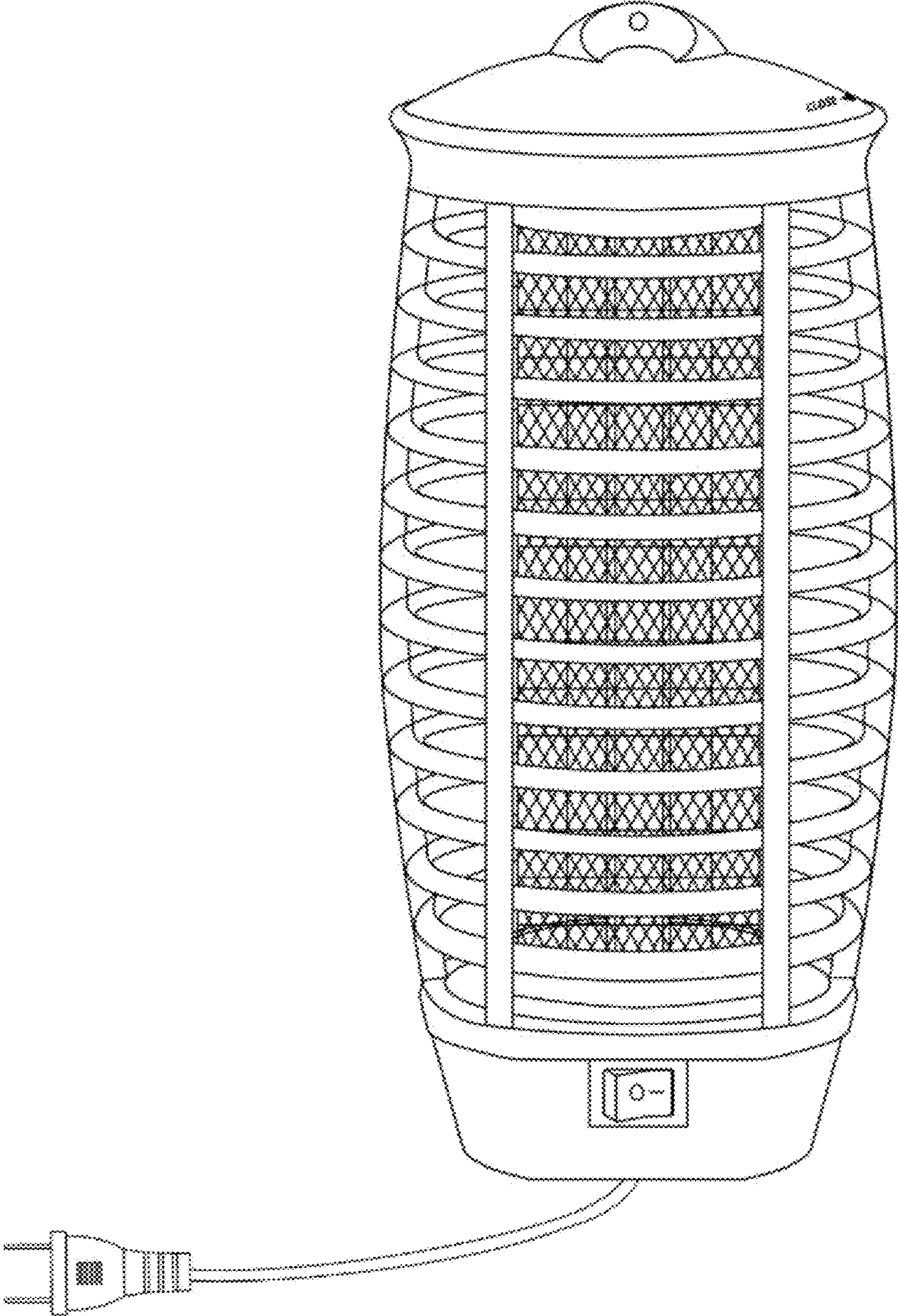


FIG. 1

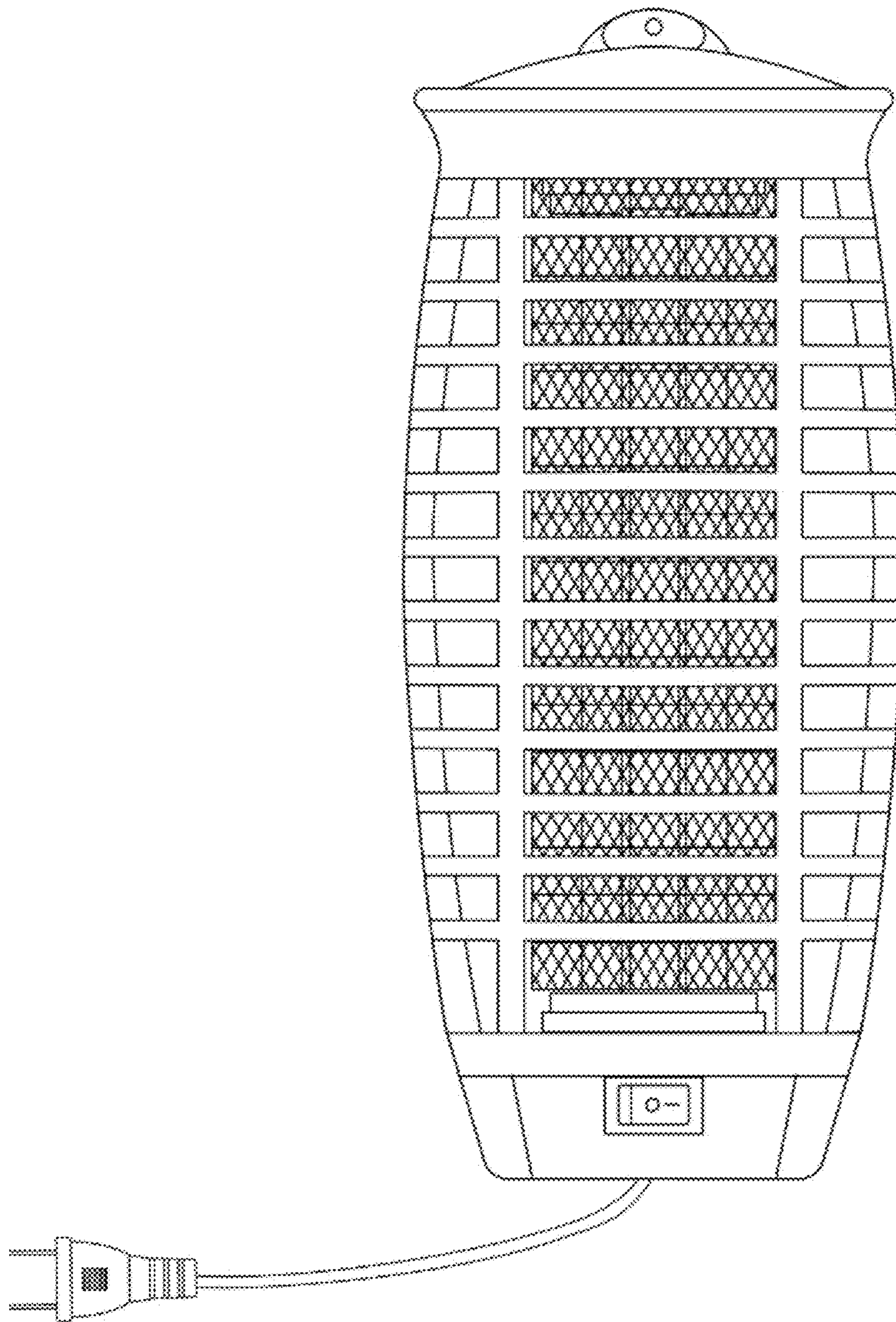


FIG. 2

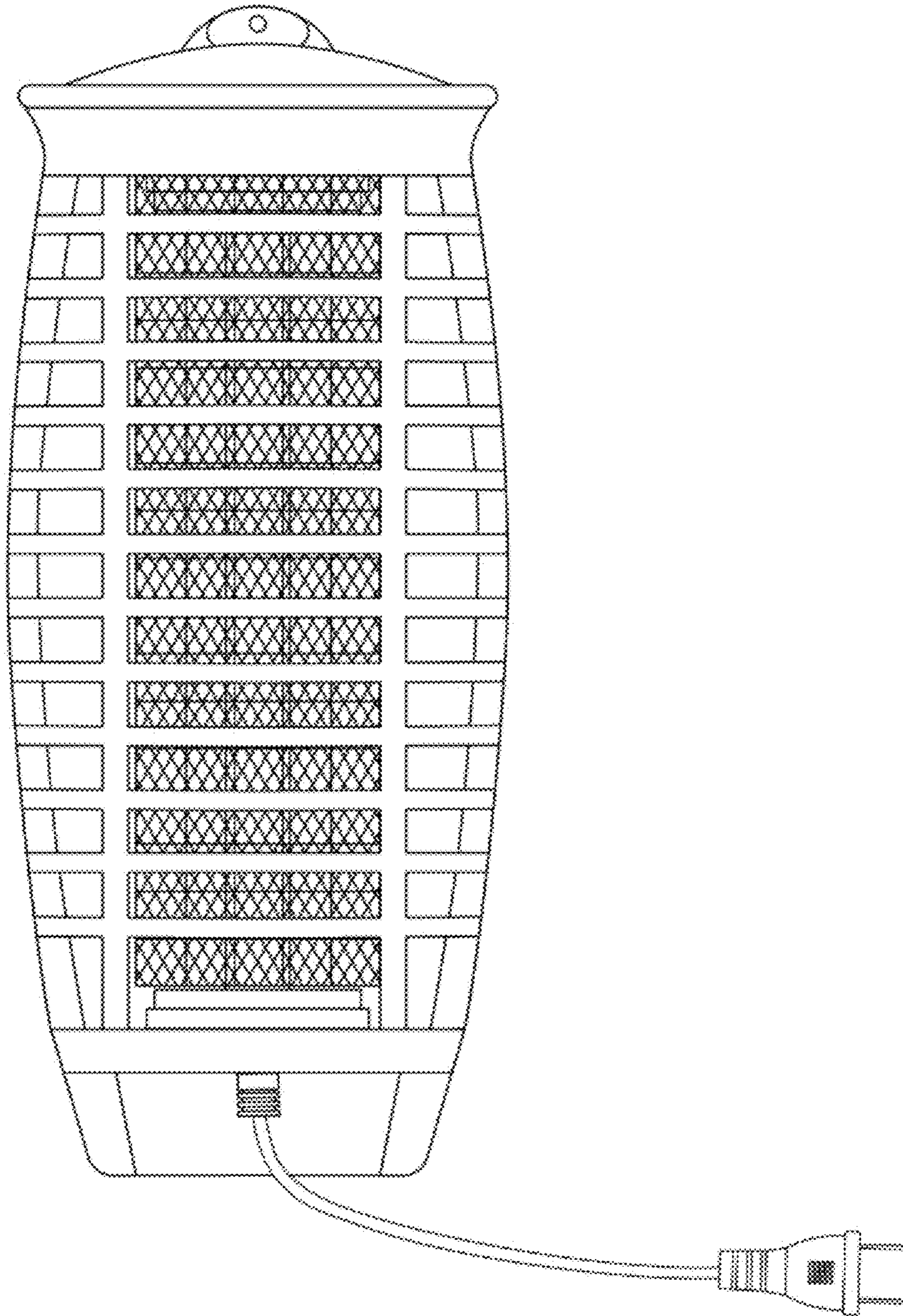


FIG. 3

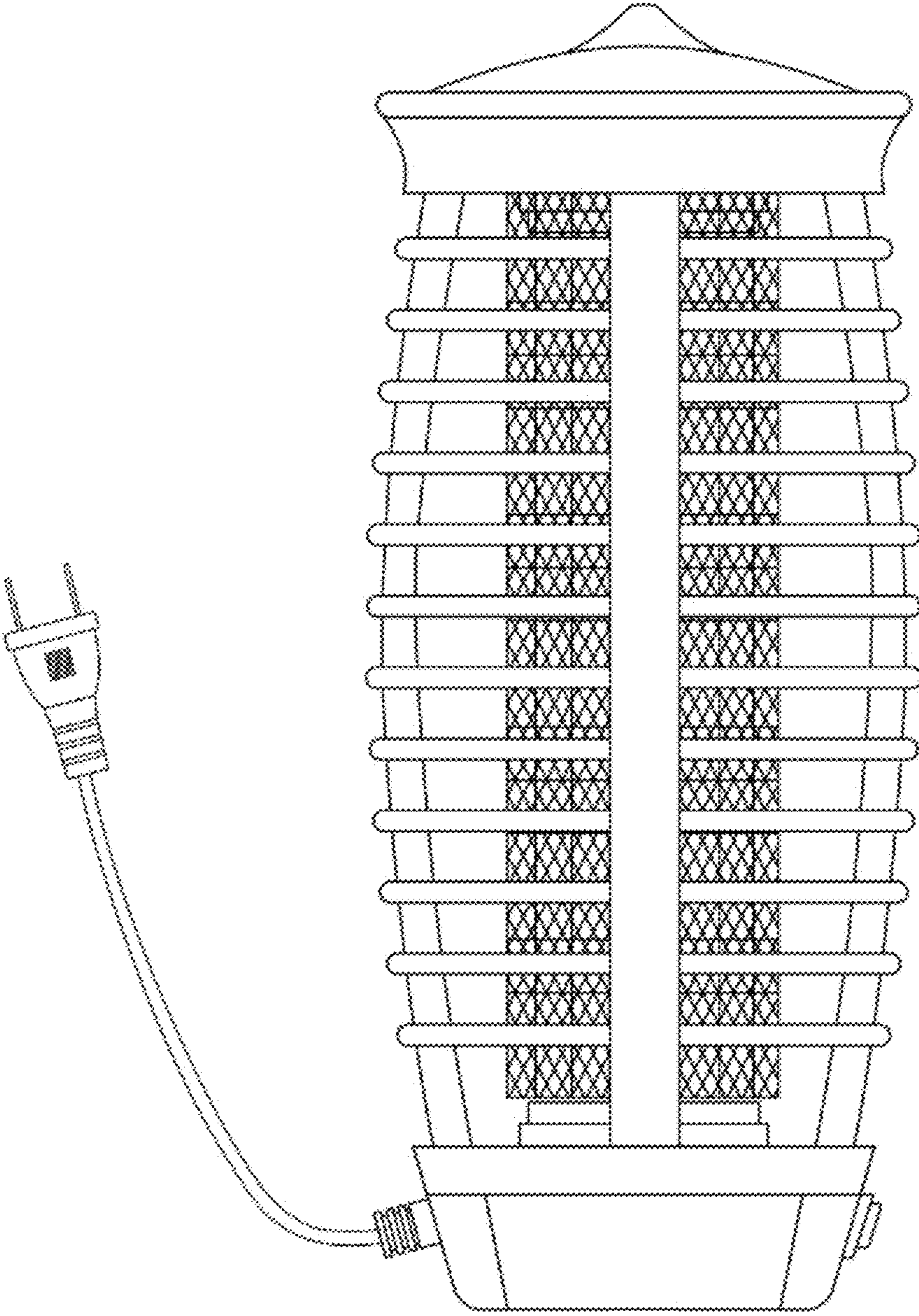


FIG. 4

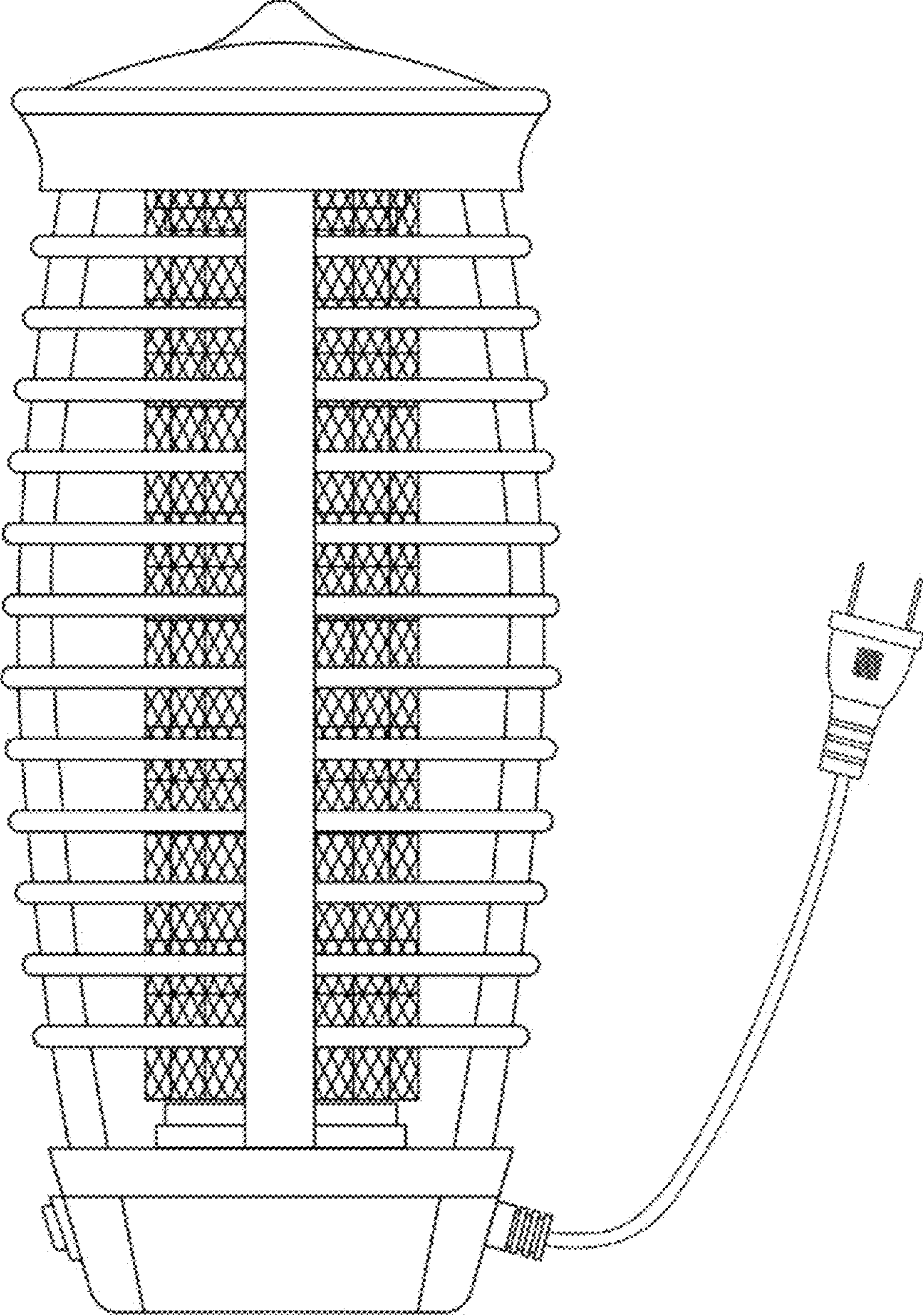


FIG. 5

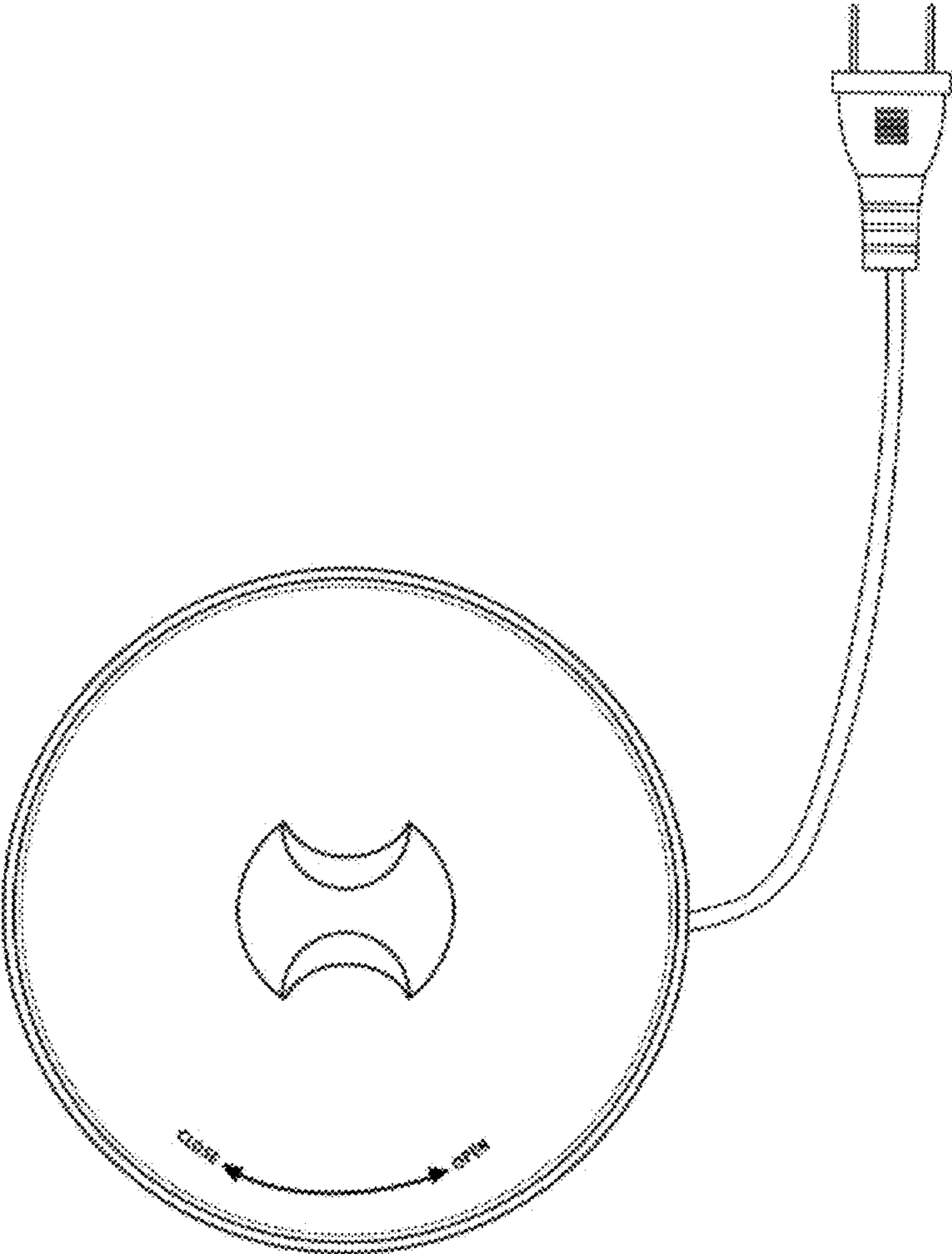


FIG. 6

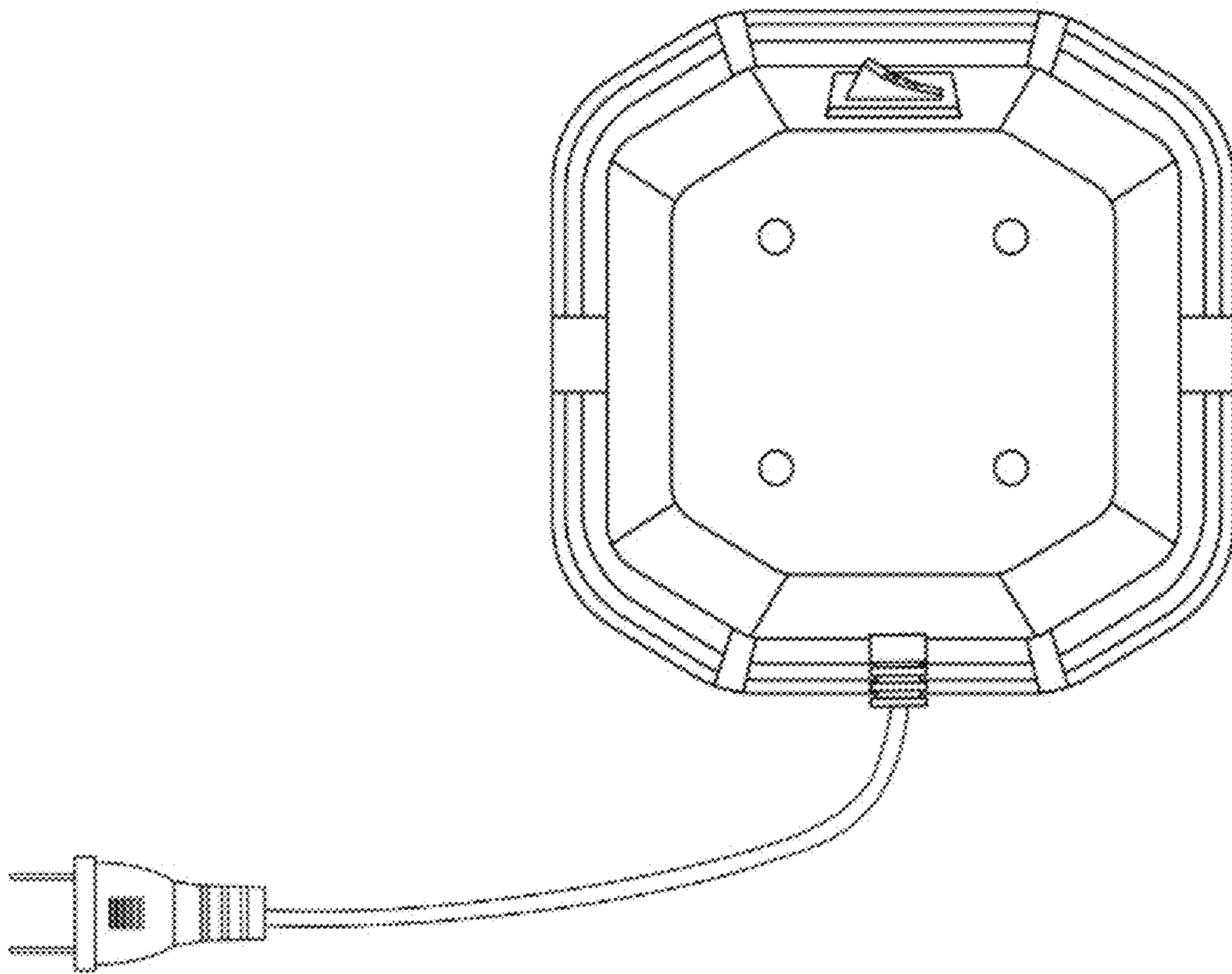


FIG. 7