



US00D900956S

(12) **United States Design Patent**
Du

(10) **Patent No.:** **US D900,956 S**

(45) **Date of Patent:** **** Nov. 3, 2020**

(54) **MOSQUITO KILLER LAMP**

D879,240 S * 3/2020 Wu D22/123
D887,524 S * 6/2020 Lou D22/123

(71) Applicant: **Xueyuan Du**, Chengdu (CN)

* cited by examiner

(72) Inventor: **Xueyuan Du**, Chengdu (CN)

Primary Examiner — Catherine R Oliver-Garcia

(**) Term: **15 Years**

(74) *Attorney, Agent, or Firm* — Che-Yang Chen; Law Office of Michael Chen

(21) Appl. No.: **29/698,705**

(22) Filed: **Jul. 18, 2019**

(57) **CLAIM**

(51) **LOC (12) Cl.** **22-06**

The ornamental design for a mosquito killer lamp, as shown and described.

(52) **U.S. Cl.**
USPC **D22/123**

(58) **Field of Classification Search**

DESCRIPTION

USPC D22/120–123; 43/107, 112–114,
43/121–122, 131, 132.1, 139
CPC A01M 1/04; A01M 1/08; A01M 1/026;
A01M 1/223; A01M 2200/012
See application file for complete search history.

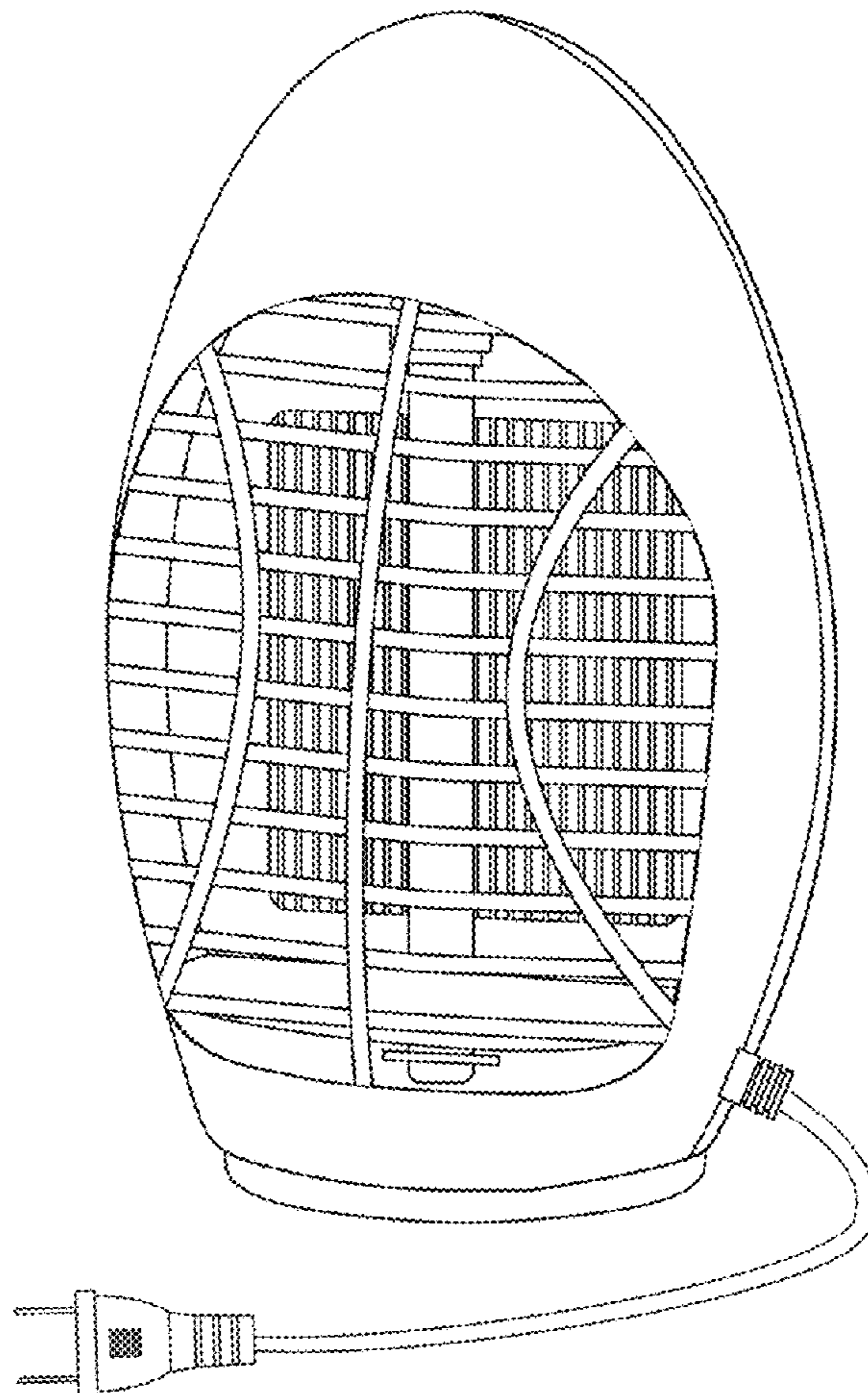
FIG. 1 is a perspective view of a mosquito killer lamp showing my new design;
FIG. 2 is a front elevational view thereof;
FIG. 3 is a rear elevational view thereof;
FIG. 4 is a left side elevational view thereof;
FIG. 5 is a right side elevational view thereof;
FIG. 6 is a top plan view thereof; and,
FIG. 7 is a bottom plan view thereof.

(56) **References Cited**

U.S. PATENT DOCUMENTS

D837,337 S * 1/2019 Lin D22/123
D870,233 S * 12/2019 Zhu D22/123

1 Claim, 6 Drawing Sheets



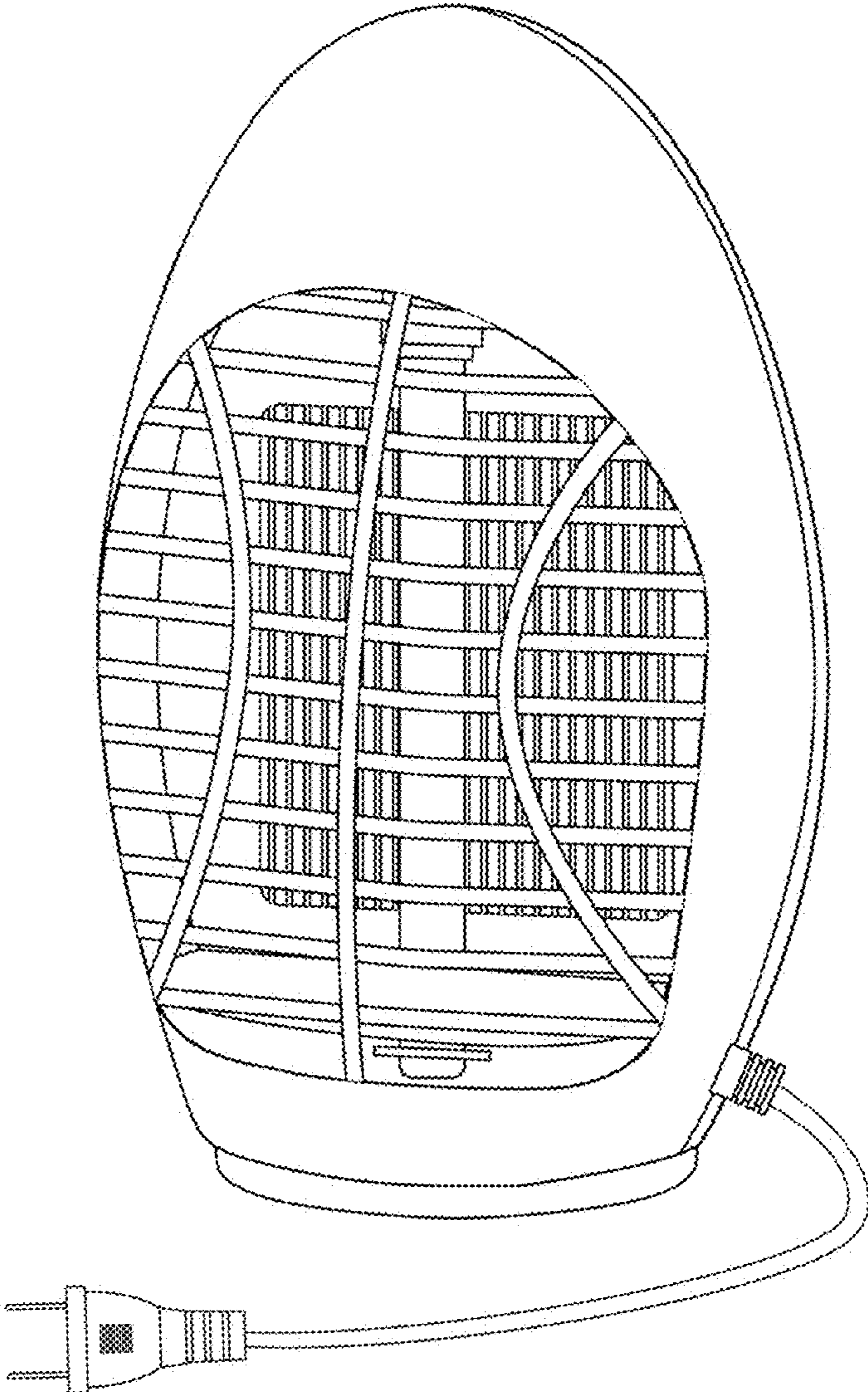


FIG. 1

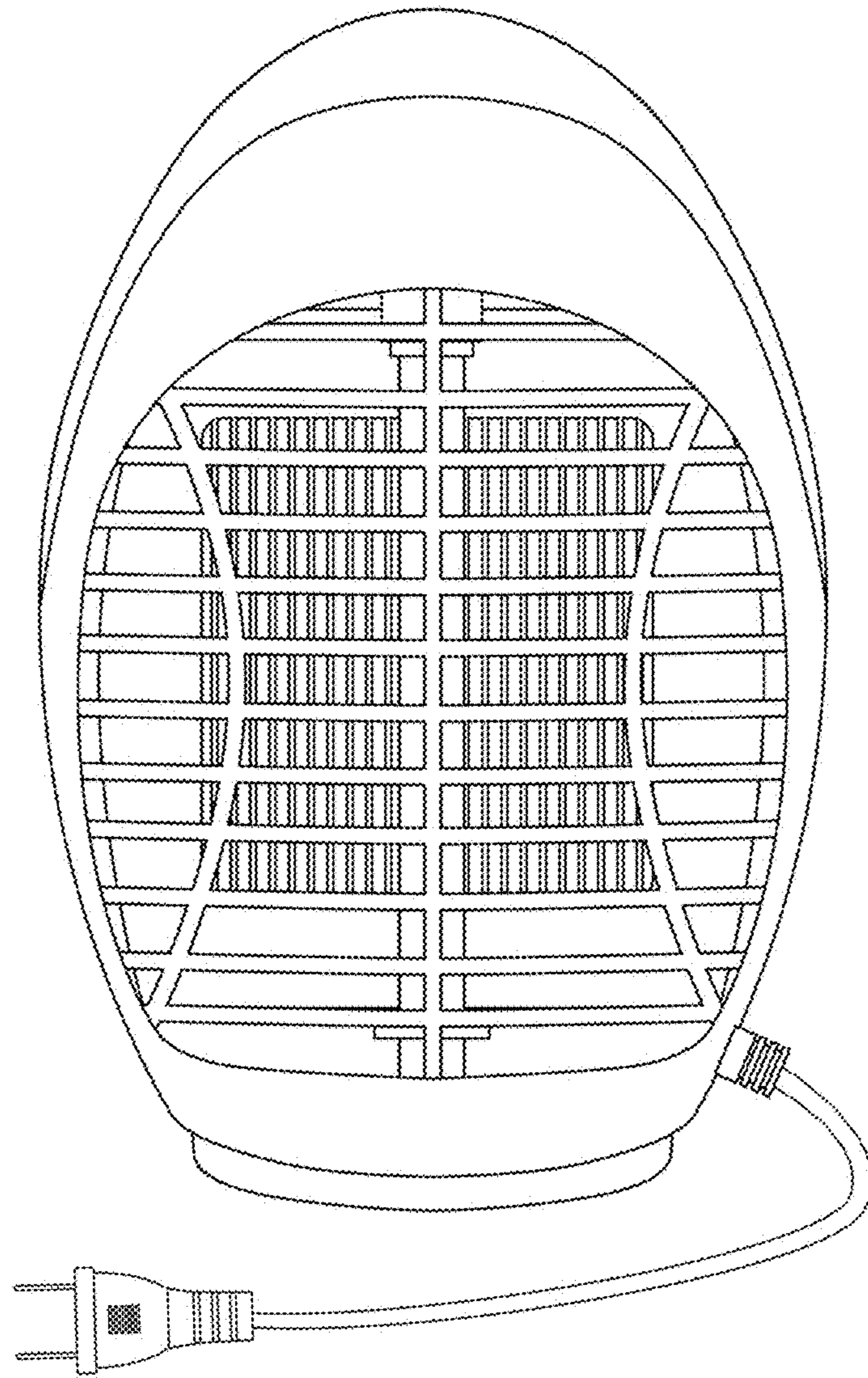


FIG. 2

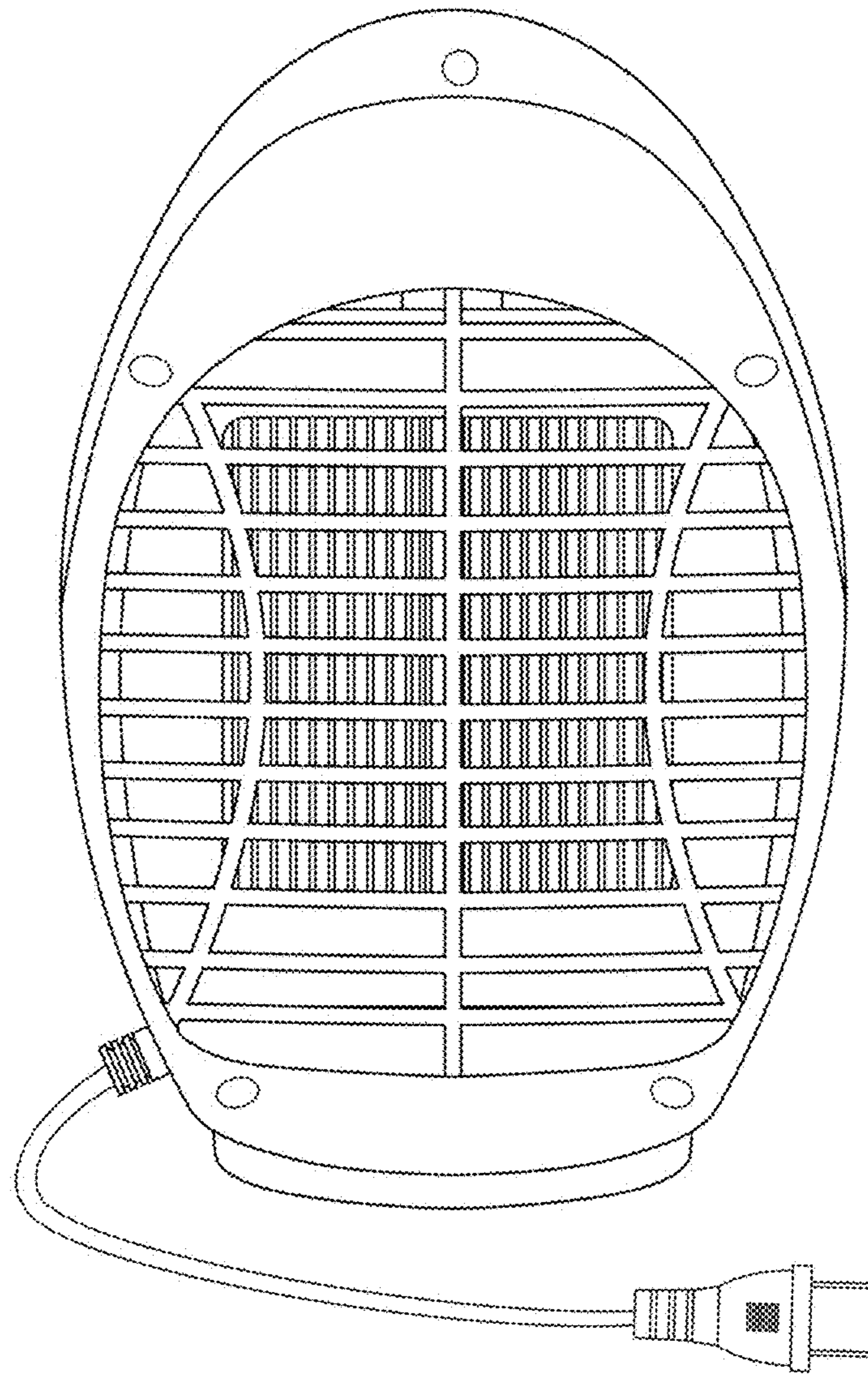


FIG. 3

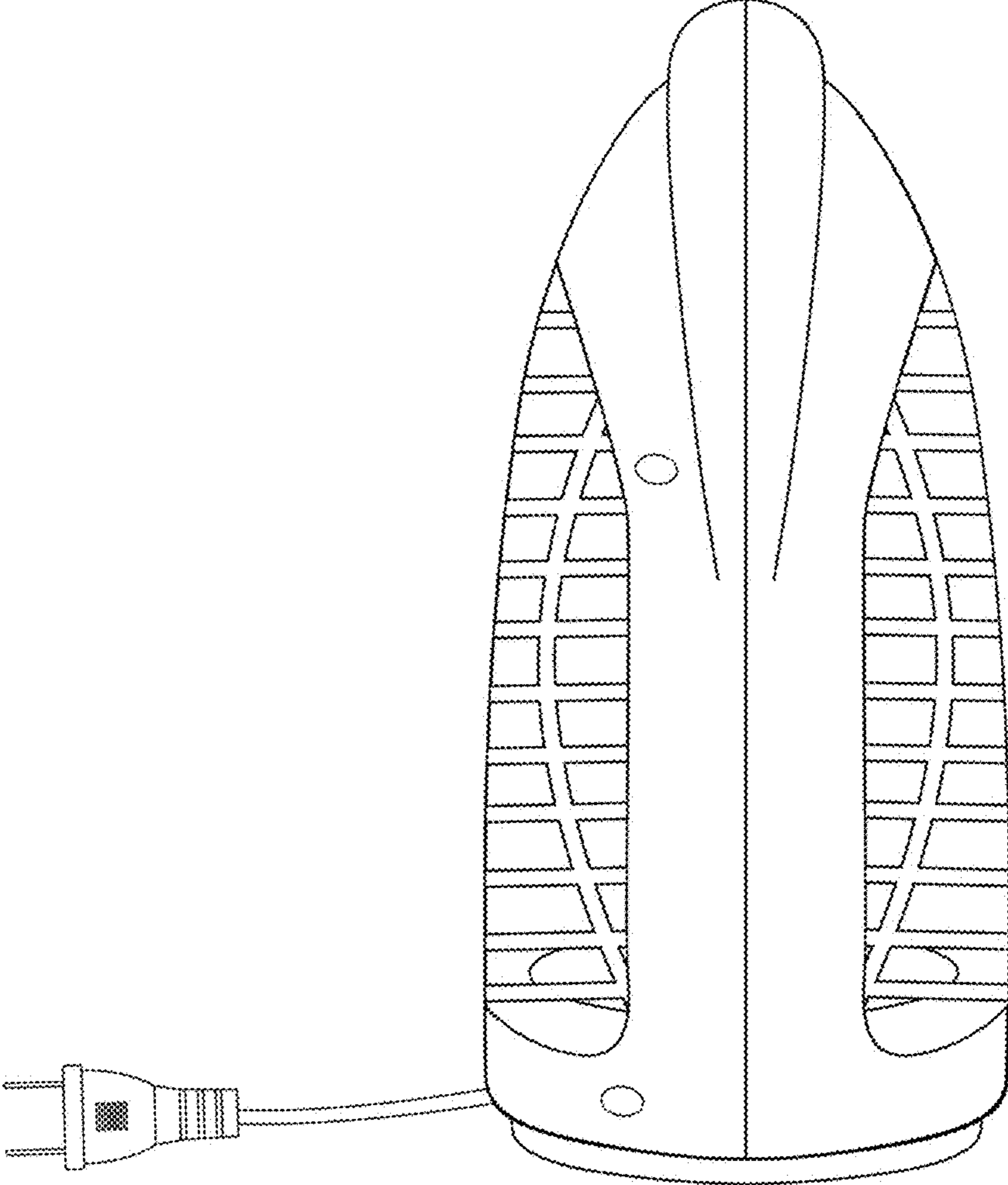


FIG. 4

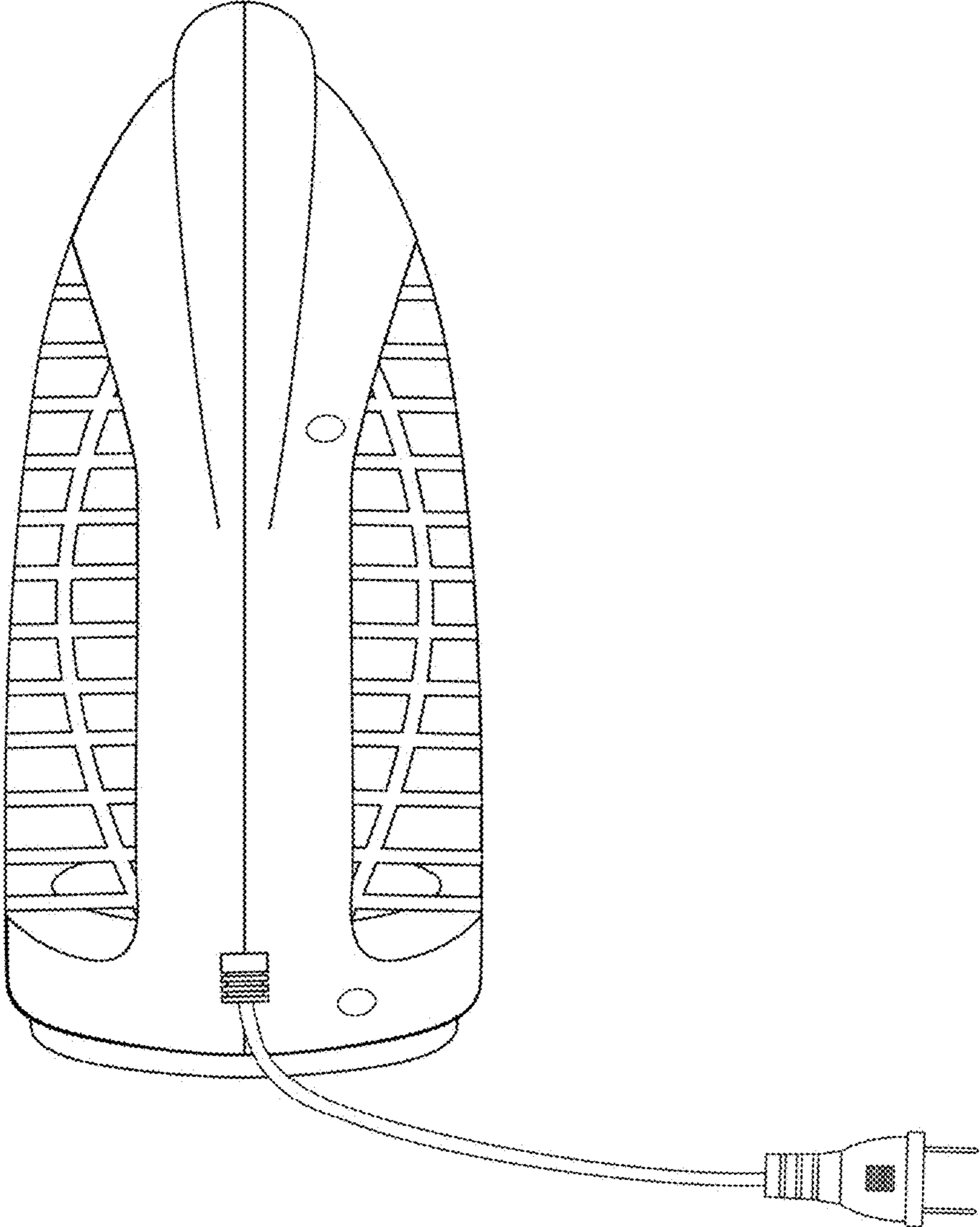


FIG. 5

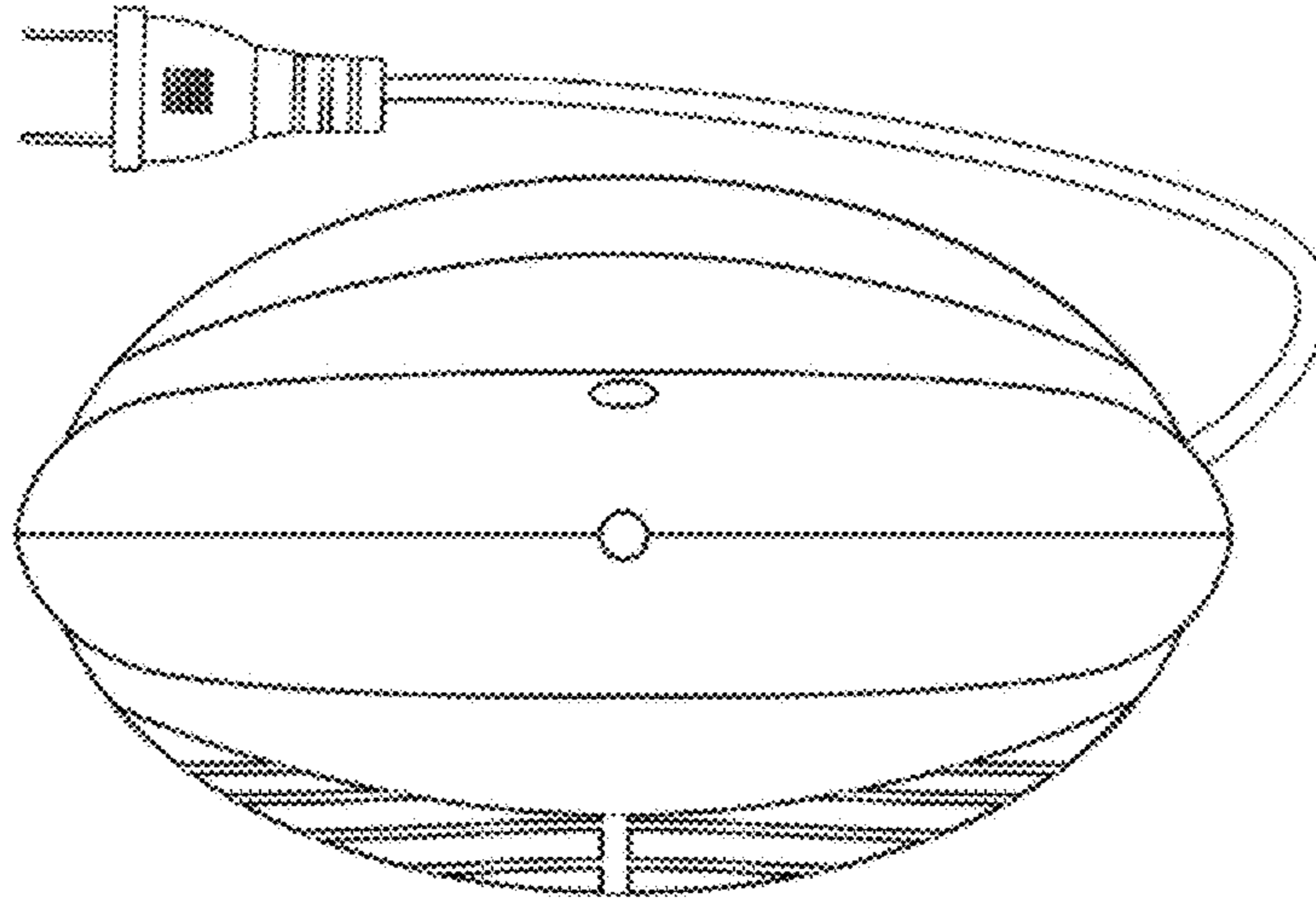


FIG. 6

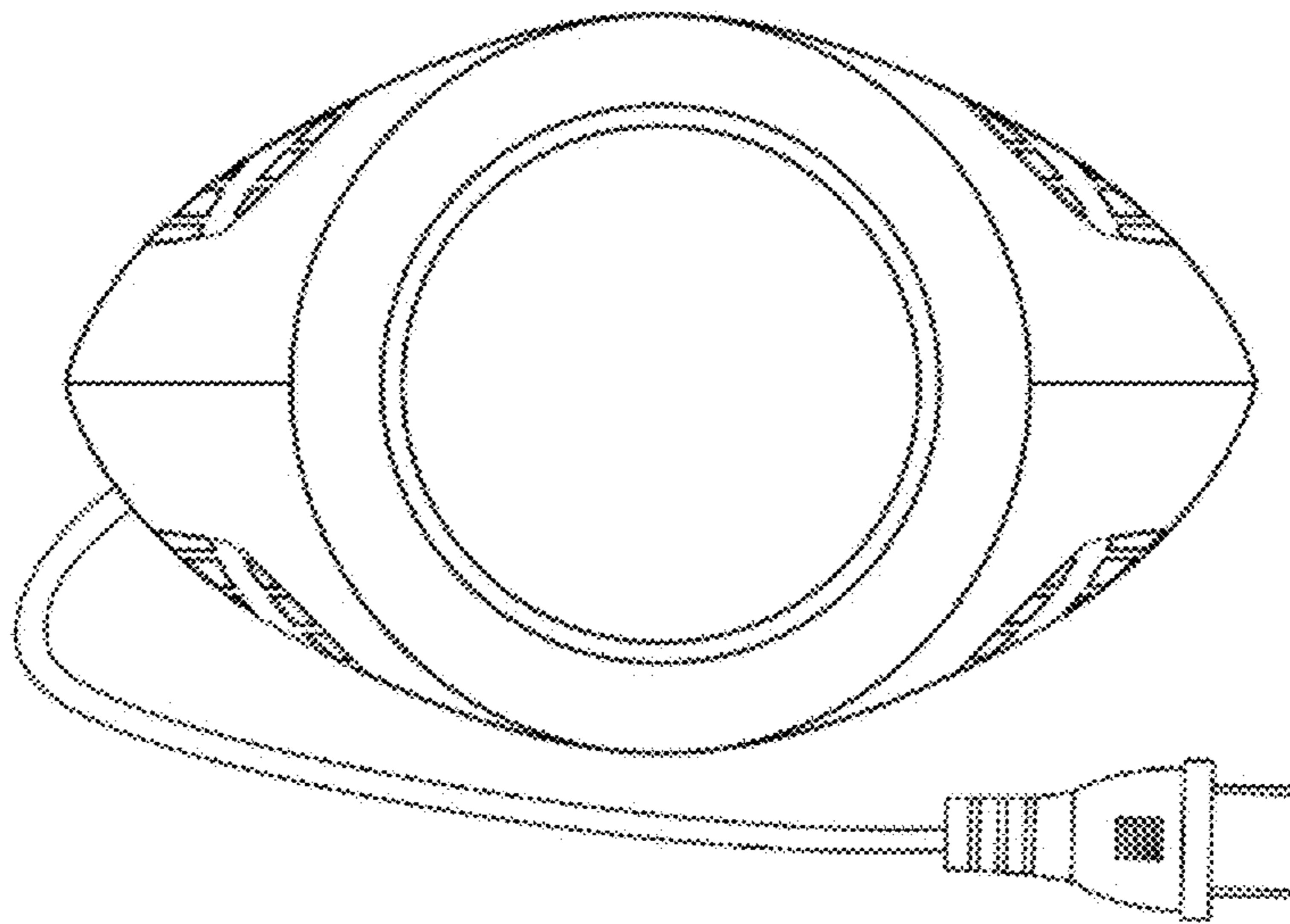


FIG. 7