



US00D900955S

(12) **United States Design Patent** (10) **Patent No.:** **US D900,955 S**
Rocha et al. (45) **Date of Patent:** **** Nov. 3, 2020**

(54) **ADHESIVE CARD FOR TRAPPING INSECTS**

(71) Applicant: **Dynamic Solutions Worldwide, LLC**,
Milwaukee, WI (US)

(72) Inventors: **Juan J. Rocha**, Lake Forest, IL (US);
Robert A. Seaton, Verona, WI (US)

(73) Assignee: **Dynamic Solutions Worldwide, LLC**,
Milwaukee, WI (US)

(**) Term: **15 Years**

(21) Appl. No.: **29/686,589**

(22) Filed: **Apr. 5, 2019**

Related U.S. Application Data

(63) Continuation-in-part of application No. 29/679,486,
filed on Feb. 6, 2019, now Pat. No. Des. 890,291.

(51) **LOC (12) Cl.** **22-06**

(52) **U.S. Cl.**
USPC **D22/122**

(58) **Field of Classification Search**
USPC D22/122; 43/112–113, 122, 124, 129,
43/131, 132.1, 144; D23/366–369;
239/55, 58; D19/10
CPC A01M 1/02; A01M 1/04; A01M 1/00;
A01M 1/223; A01M 1/145; A01M
2200/012; A01M 1/2033; A01M 1/2044;
A61L 9/122
See application file for complete search history.

(56) **References Cited**

U.S. PATENT DOCUMENTS

5,915,948 A 6/1999 Kunze et al.
7,161,313 B2 1/2007 Piegras et al.

D616,933 S * 6/2010 Tegtmeyer D19/10
D834,137 S * 11/2018 Smith D22/122
D855,143 S * 7/2019 Wang D22/122
D877,852 S * 3/2020 Wang D22/122
2017/0035039 A1* 2/2017 Sandford A01M 1/023
2018/0184635 A1 7/2018 Studer et al.
2019/0045771 A1 2/2019 Rocha et al.

* cited by examiner

Primary Examiner — Catherine R Oliver-Garcia
(74) *Attorney, Agent, or Firm* — Boyle Fredrickson S.C.

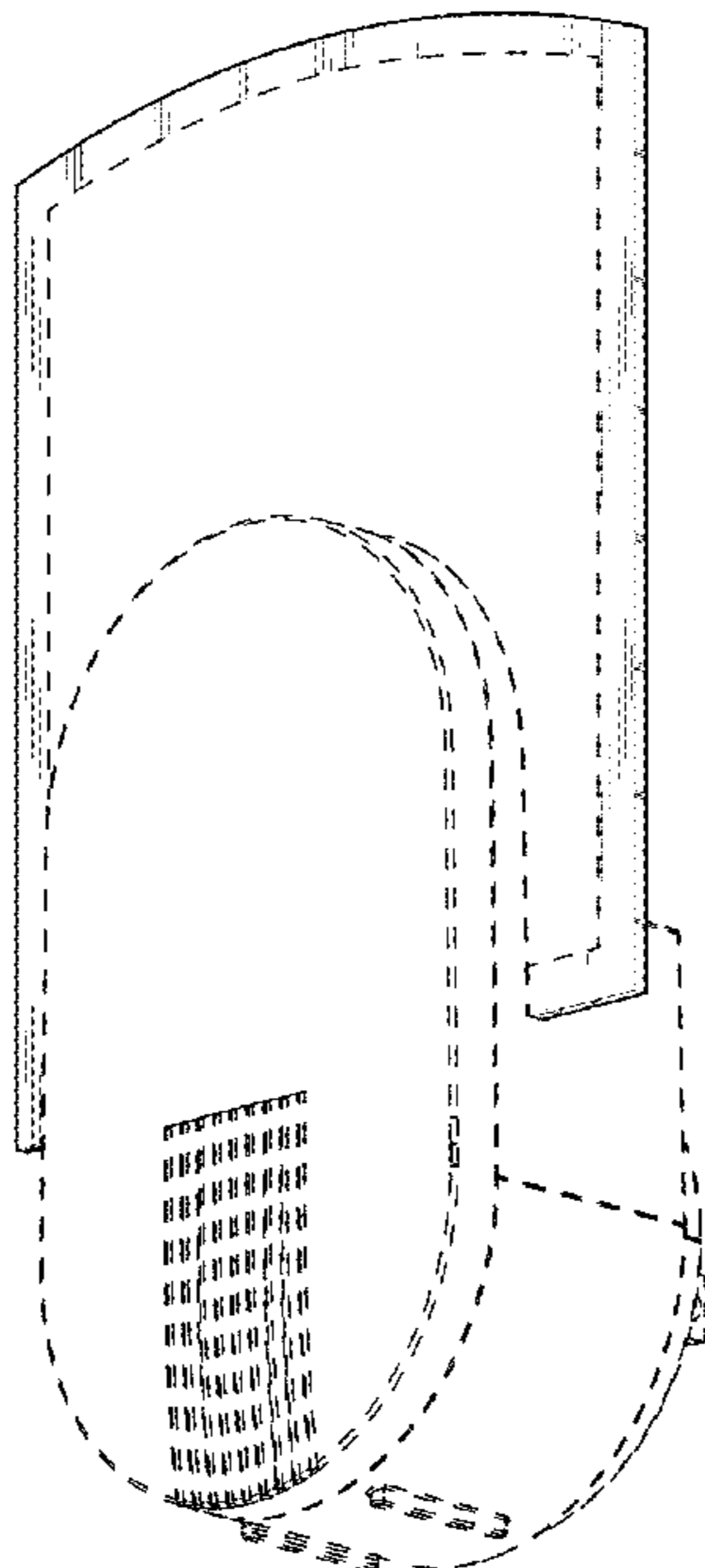
(57) **CLAIM**

The ornamental design for an adhesive card for trapping insects, substantially as shown and described.

DESCRIPTION

FIG. 1 is a front isometric view of an adhesive card for trapping insects according to the present invention, shown in the exemplary environment of a plug in insect trap;
FIG. 2 is a rear isometric view thereof;
FIG. 3 is a front isometric view of the adhesive card according to the present invention;
FIG. 4 is a front elevation view thereof;
FIG. 5 is a rear elevation view thereof;
FIG. 6 is a left side elevation view thereof;
FIG. 7 is a right side elevation view thereof;
FIG. 8 is a top plan view thereof; and,
FIG. 9 is a bottom plan view thereof.
The broken lines are for illustrative purposes and represent environmental structure and unclaimed portions of the invention and therefore form no part of the claimed design.

1 Claim, 6 Drawing Sheets



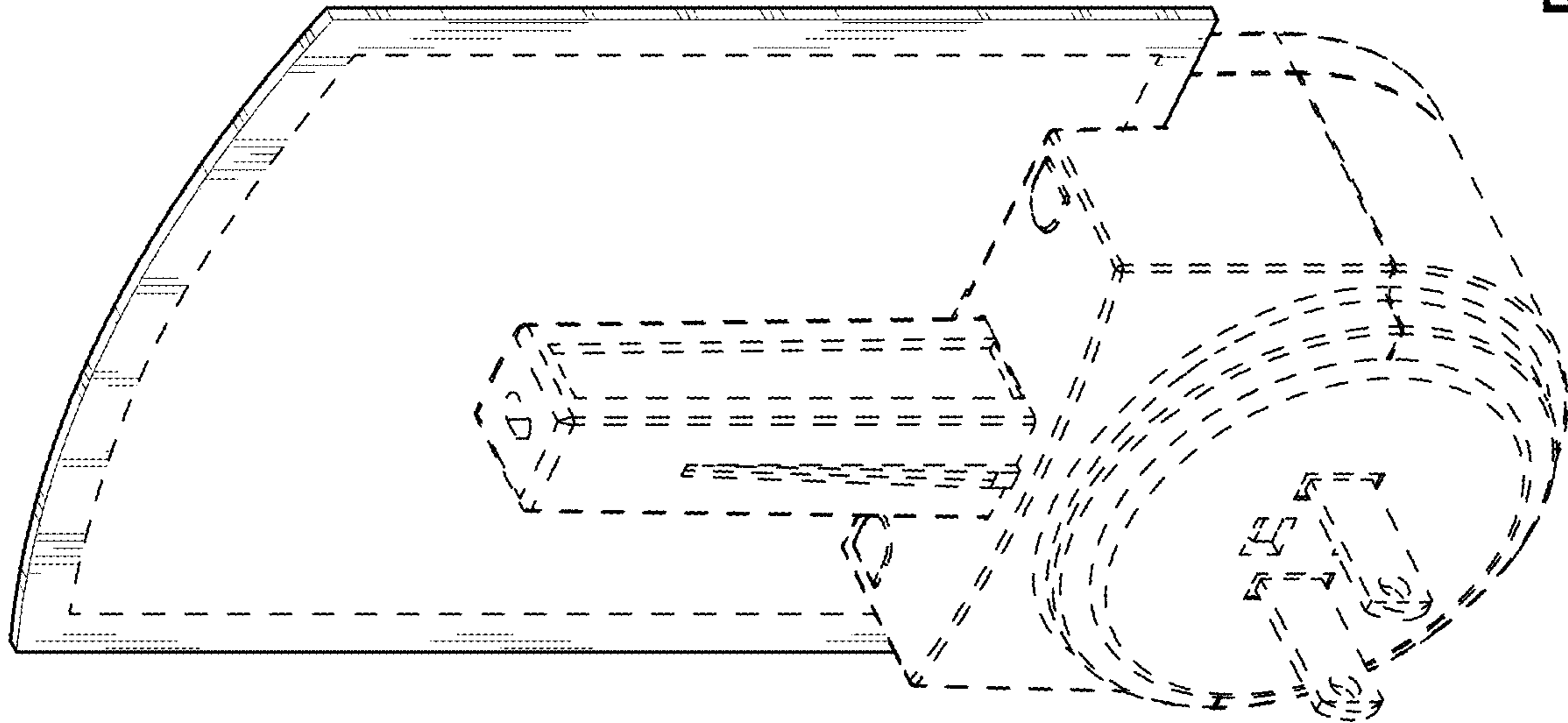


FIG. 2

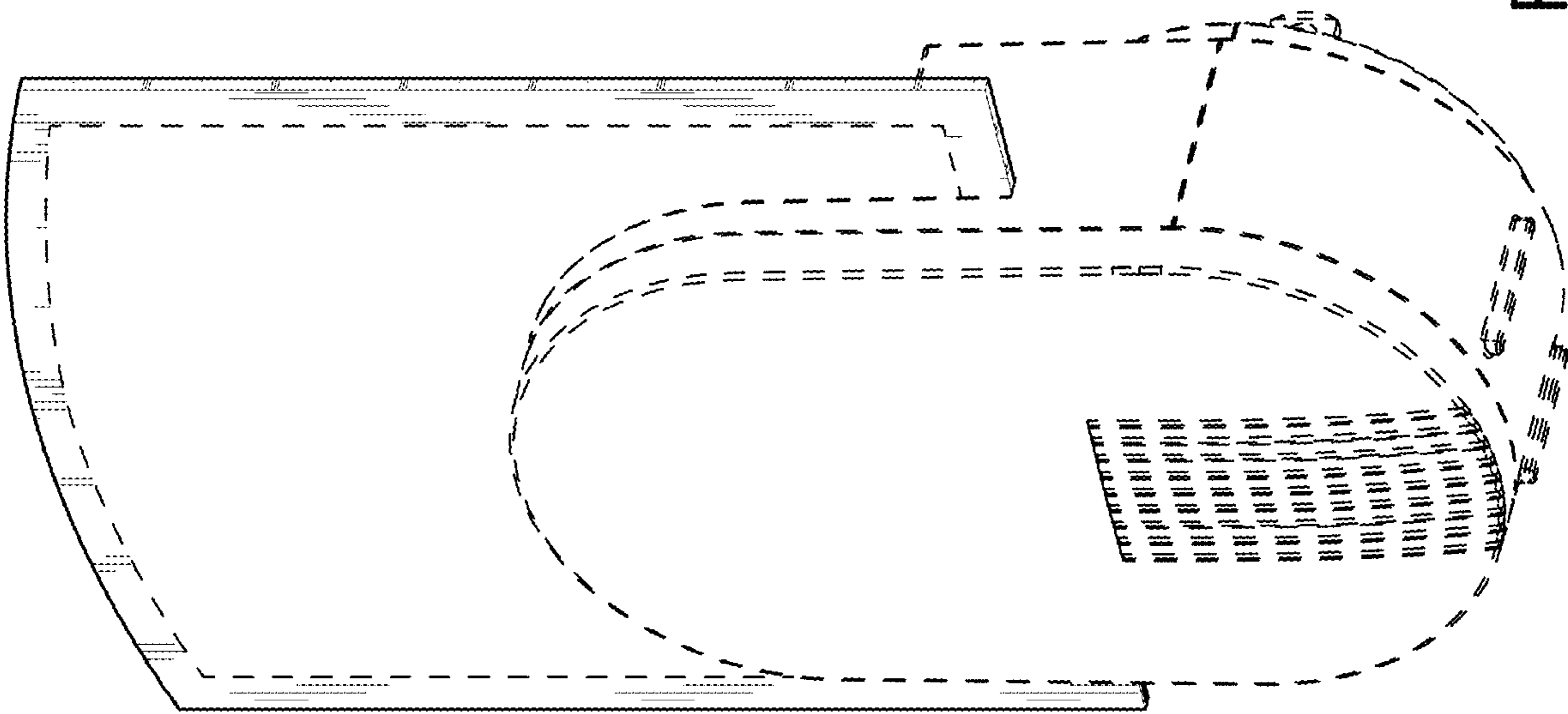


FIG. 1

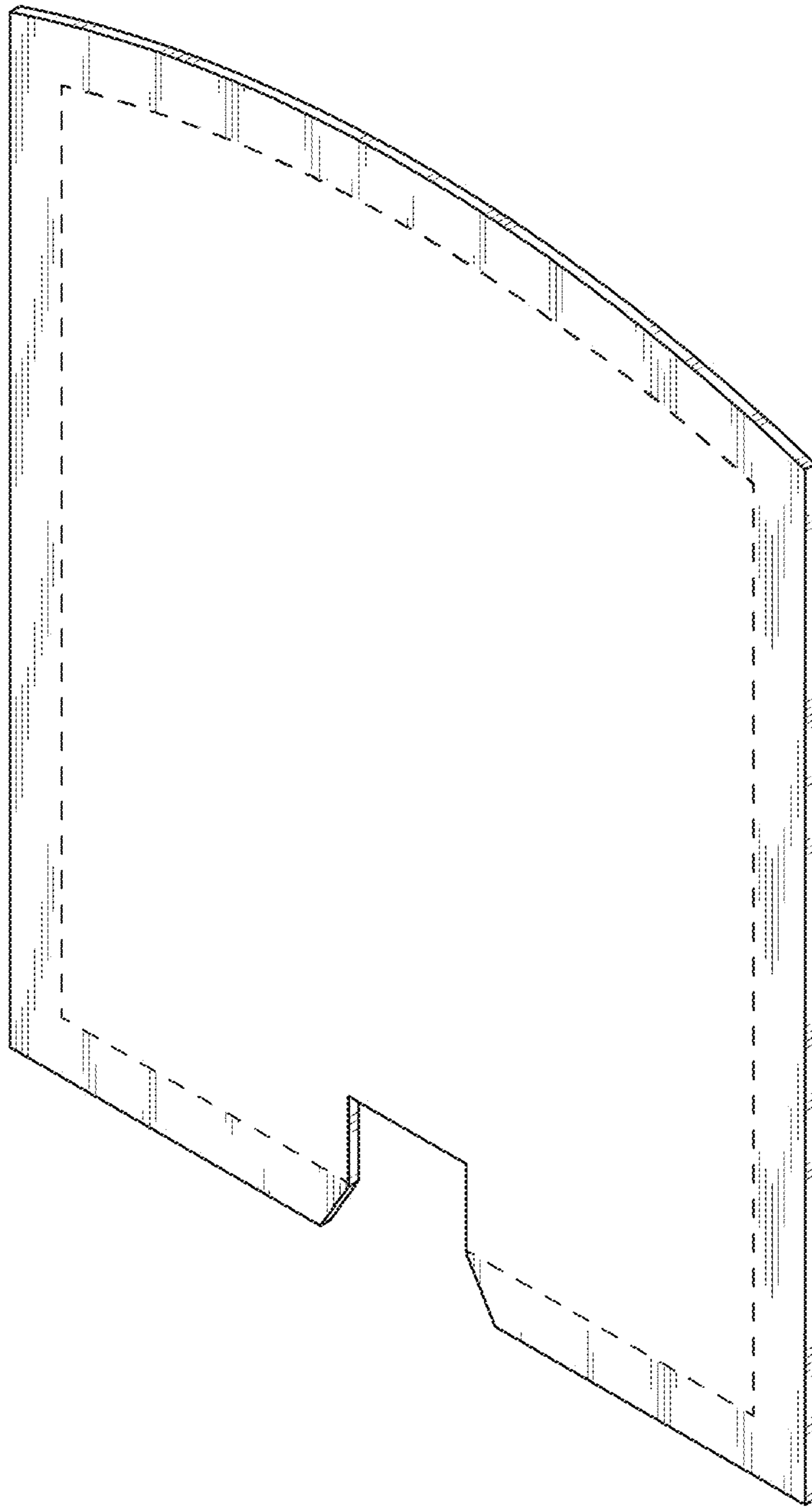


FIG. 3

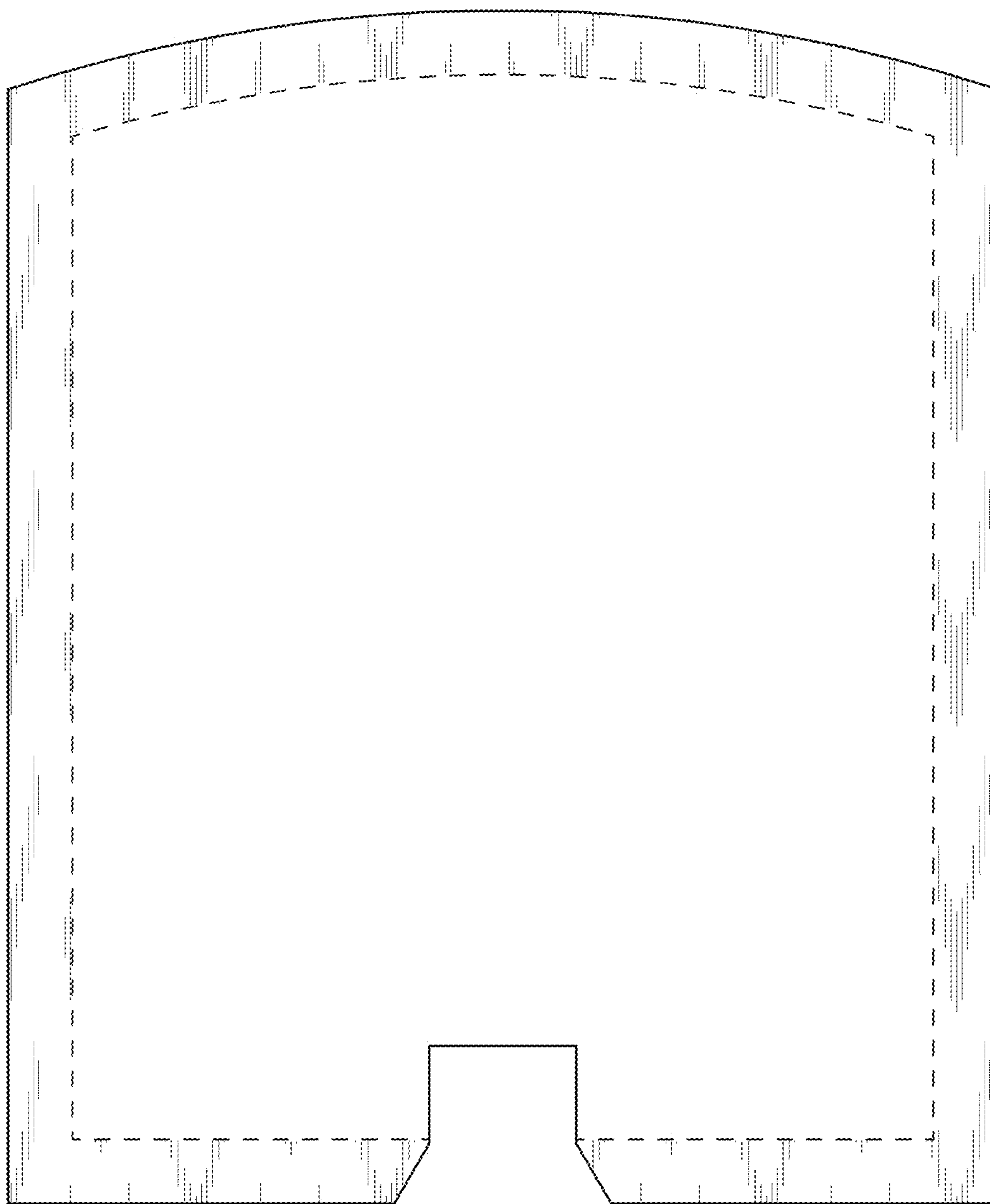


FIG. 4

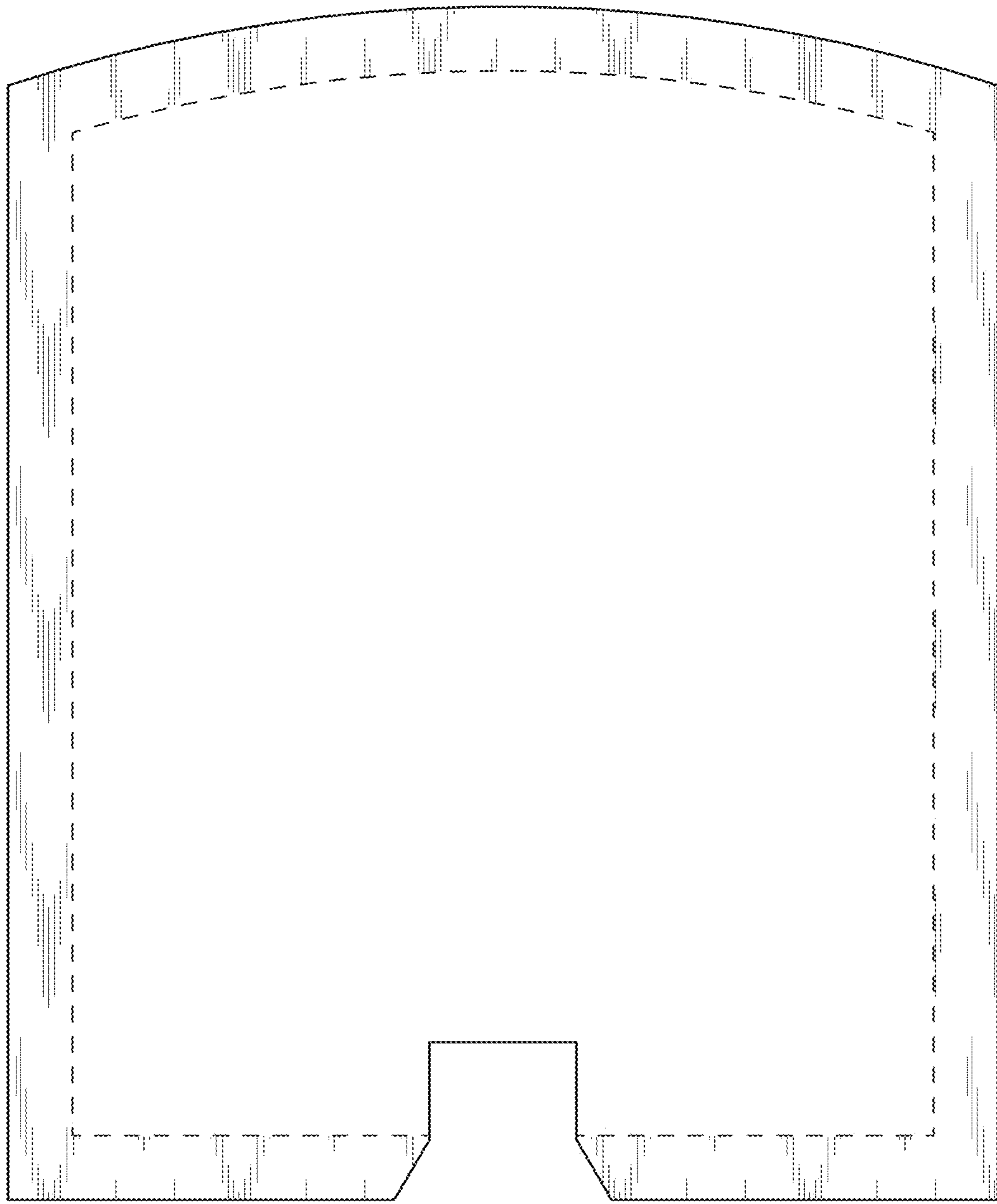


FIG. 5



FIG. 6



FIG. 7

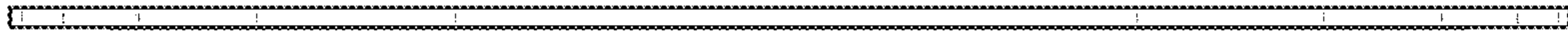


FIG. 8



FIG. 9