



US00D900954S

(12) **United States Design Patent** (10) **Patent No.:** **US D900,954 S**
Losilevsky (45) **Date of Patent:** **** Nov. 3, 2020**

- (54) **FIREARM MUZZLE BRAKE**
- (71) Applicant: **Alex Losilevsky**, San Francisco, CA (US)
- (72) Inventor: **Alex Losilevsky**, San Francisco, CA (US)
- (73) Assignee: **Armaspec, Inc.**, Burlingame, CA (US)
- (**) Term: **15 Years**
- (21) Appl. No.: **29/699,366**
- (22) Filed: **Jul. 24, 2019**
- (51) **LOC (12) Cl.** **22-01**
- (52) **U.S. Cl.**
USPC **D22/109**
- (58) **Field of Classification Search**
USPC D22/108
CPC F41A 21/34; F41A 21/325; F41A 21/32;
F41A 21/28
See application file for complete search history.

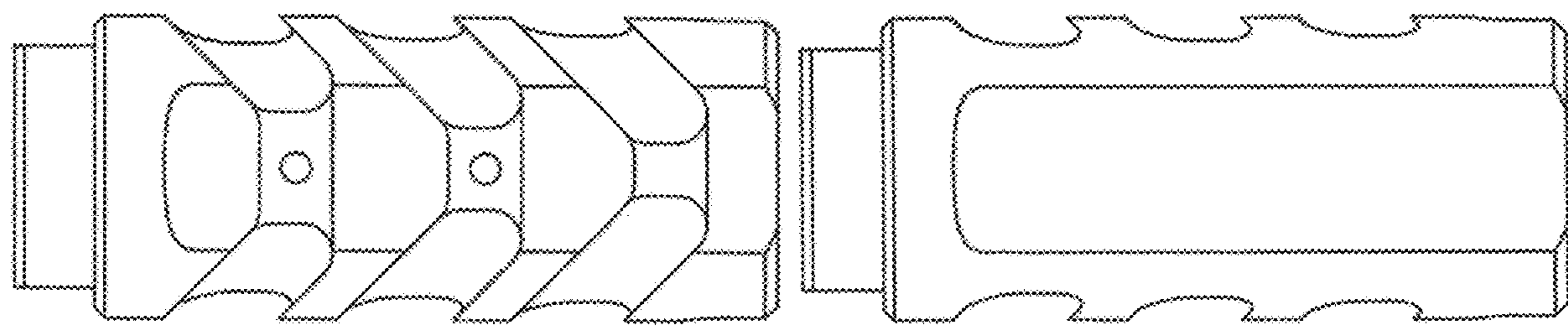
- (56) **References Cited**
U.S. PATENT DOCUMENTS
D835,226 S * 12/2018 Haman D22/108

D846,684 S * 4/2019 Montes D22/108
D868,197 S * 11/2019 Bender D22/108
* cited by examiner
Primary Examiner — Michael A. Pratt
(74) *Attorney, Agent, or Firm* — Wood Herron & Evans LLP

(57) **CLAIM**
The ornamental design for a firearms muzzle brake, as shown and described.

DESCRIPTION
FIG. 1 is a rear perspective view of the firearms muzzle brake showing the design;
FIG. 2 is a front perspective view of the firearms muzzle brake;
FIG. 3 is a front end view of the firearms muzzle brake;
FIG. 4 is a rear end view of the firearms muzzle brake;
FIG. 5 is a left side view of the firearms muzzle brake;
FIG. 6 is a front bottom left perspective view of the firearms muzzle brake;
FIG. 7 is a top plan view of the firearms muzzle brake; and,
FIG. 8 is a bottom plan view of the firearms muzzle brake.

1 Claim, 7 Drawing Sheets



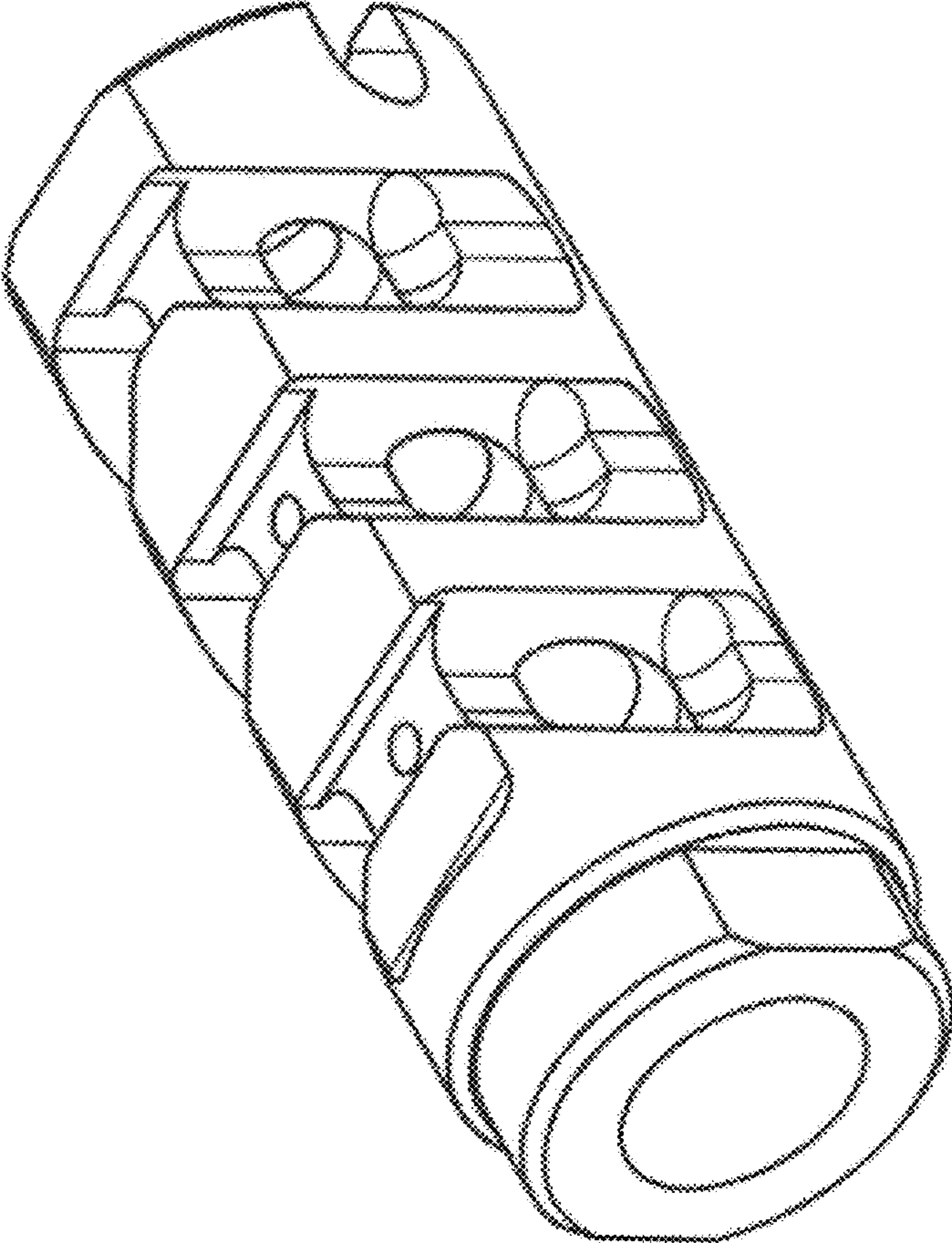


FIG. 1

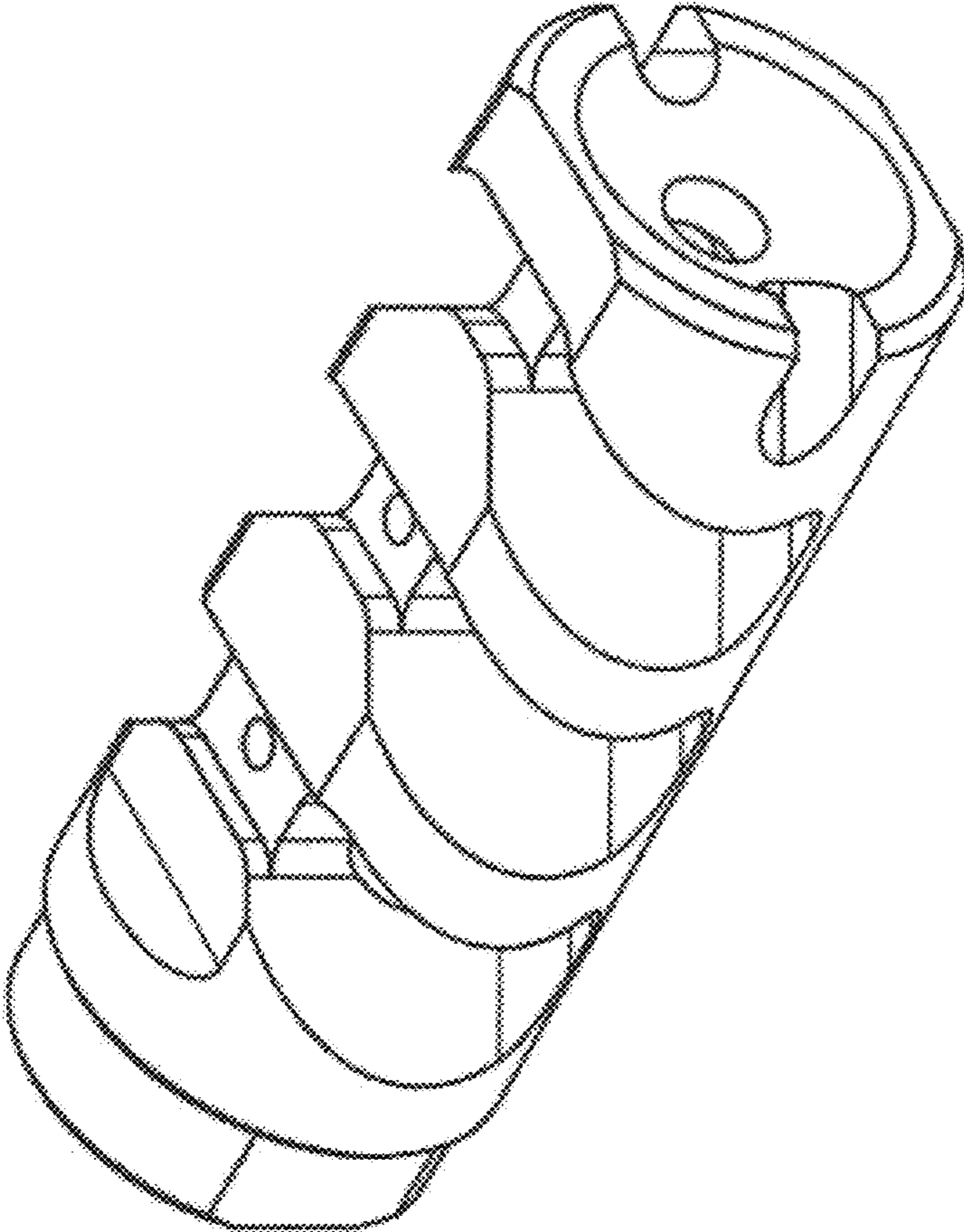


FIG. 2

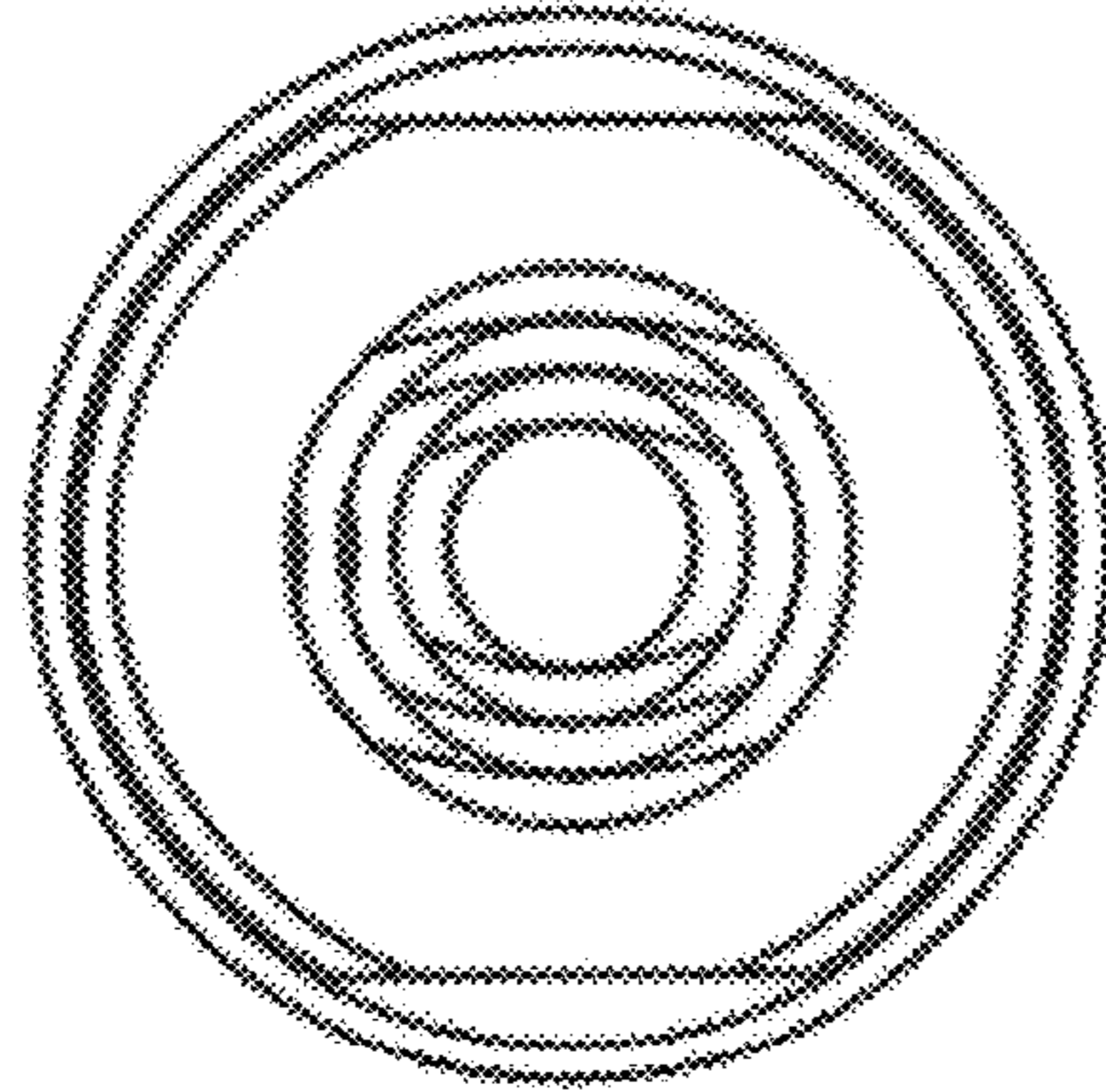


FIG. 4

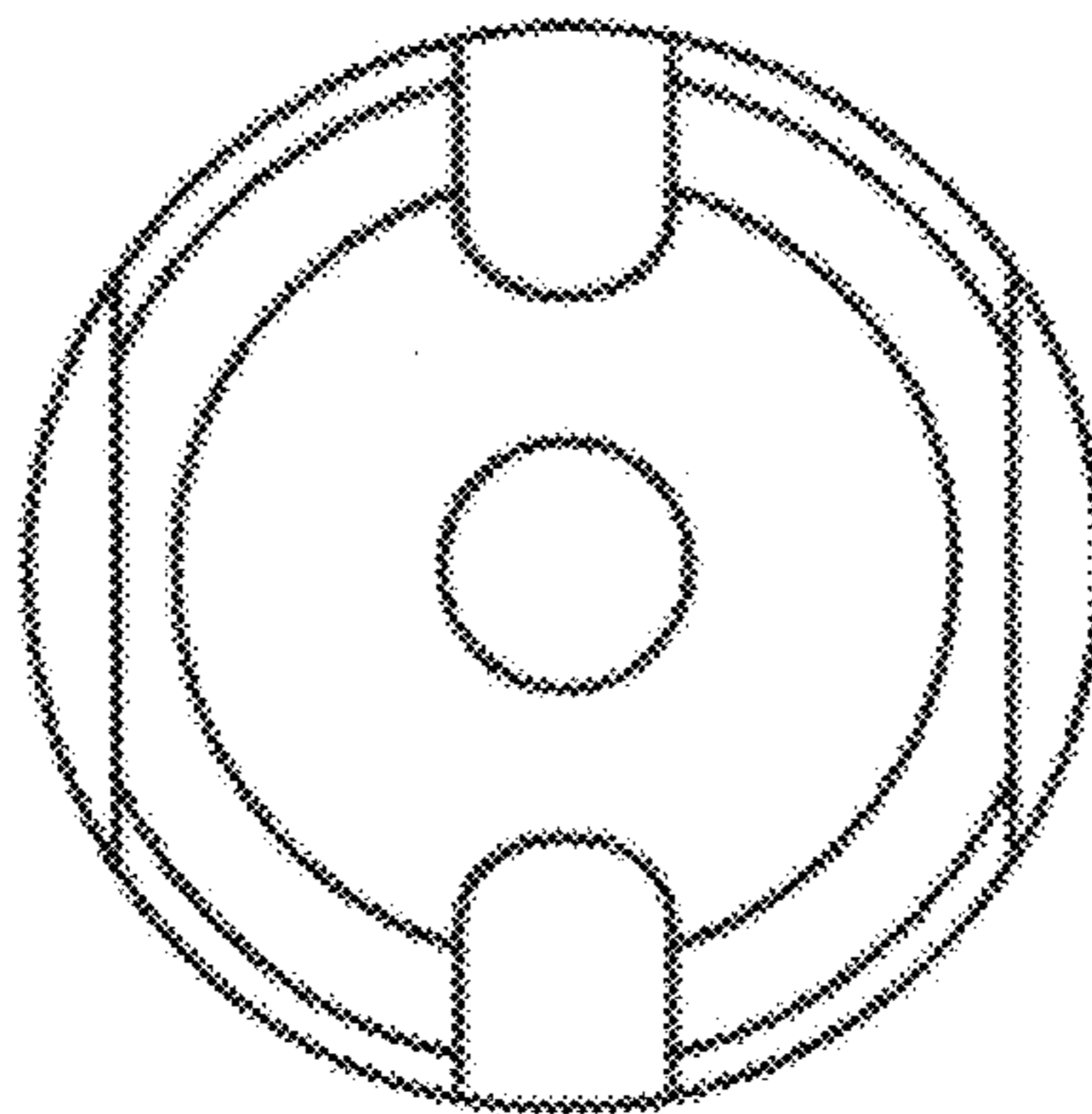


FIG. 3

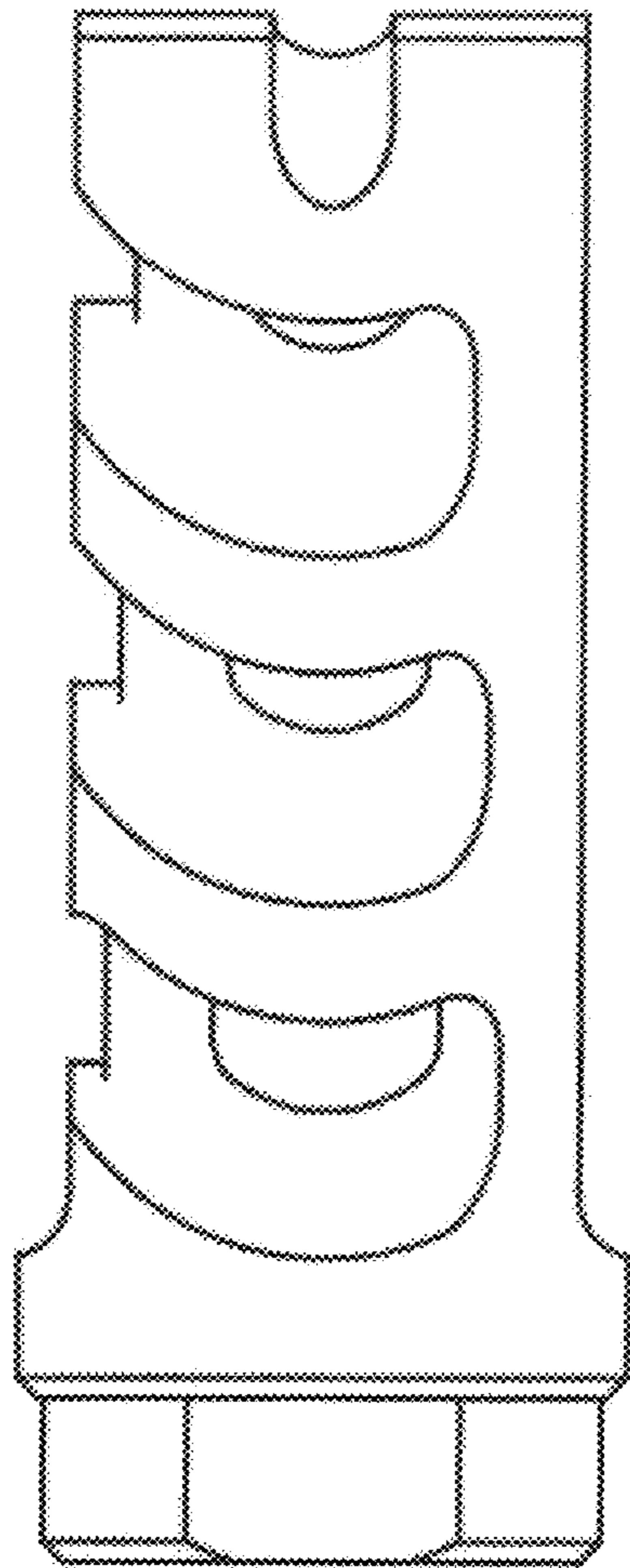


FIG. 5

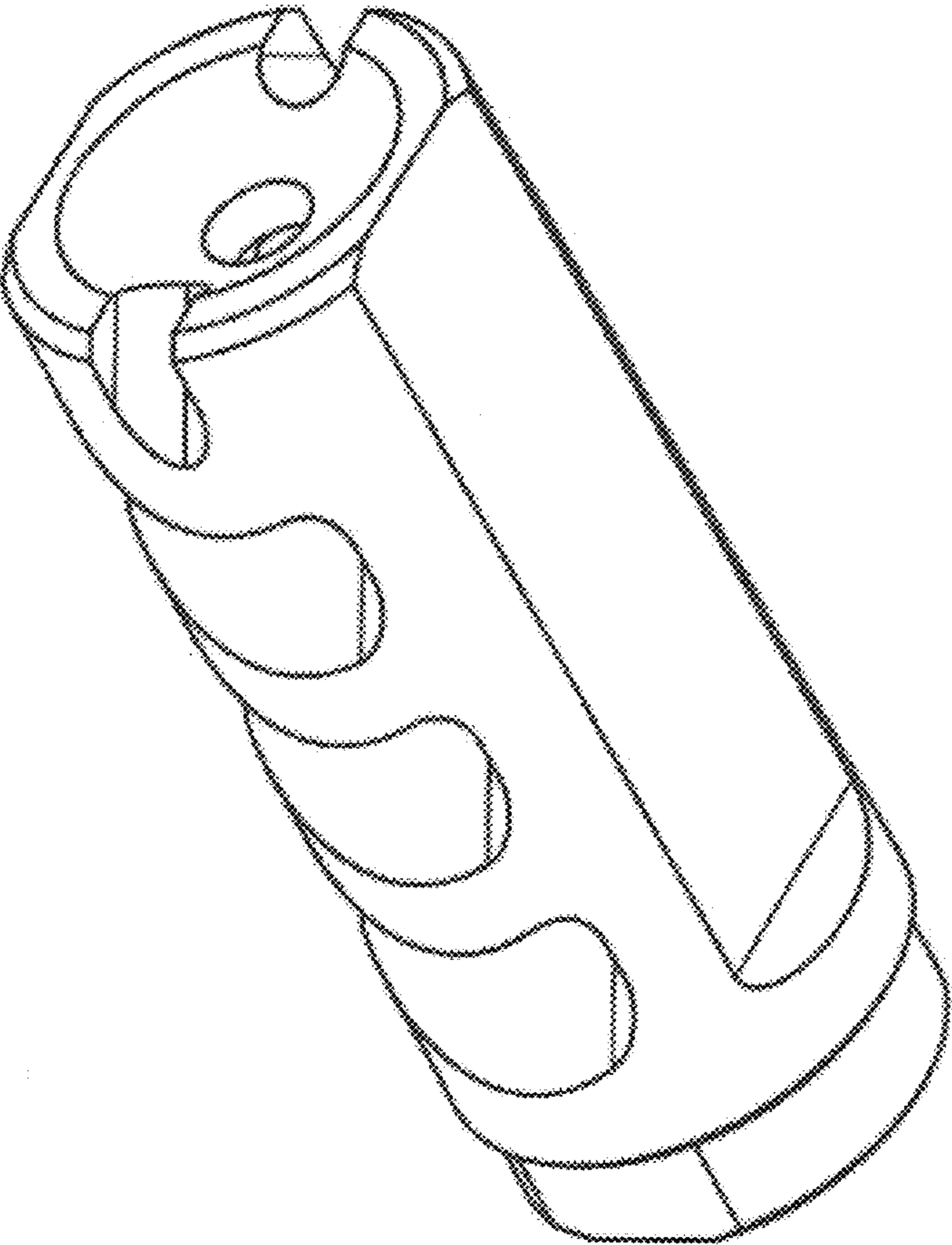


FIG. 6

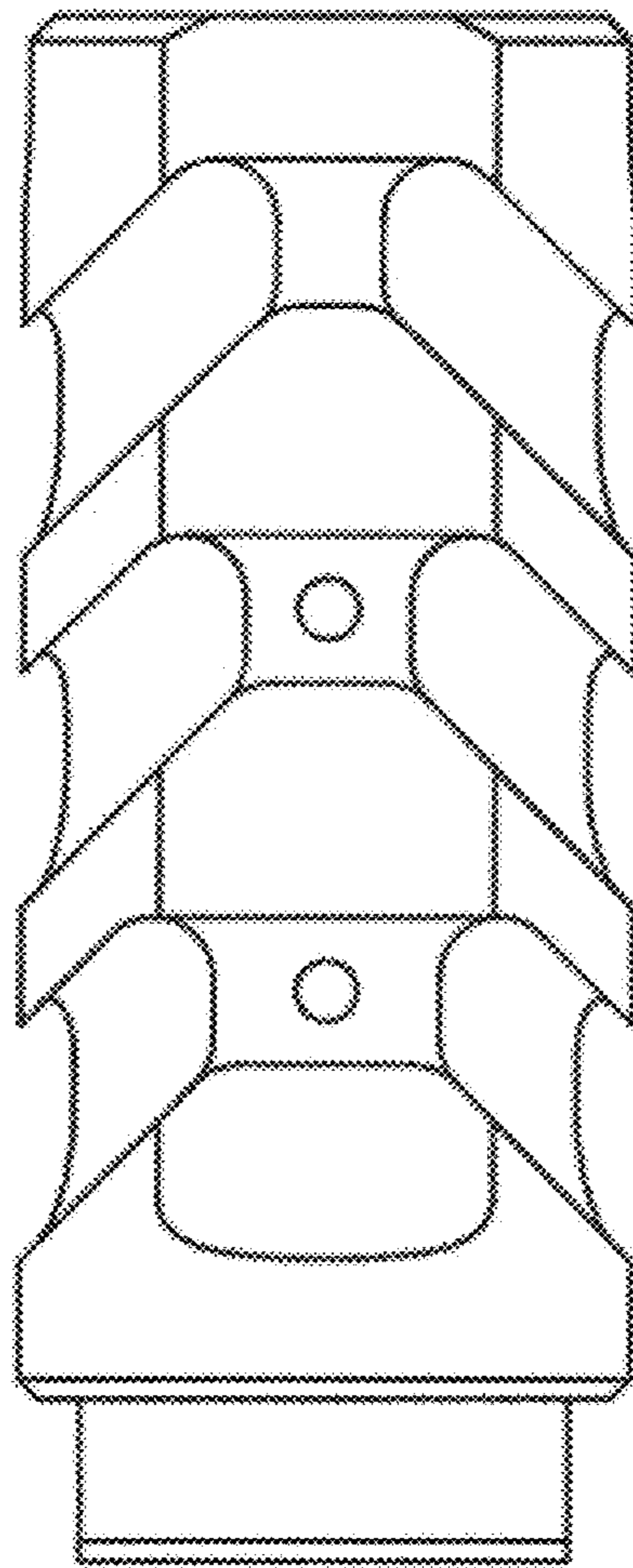


FIG. 7

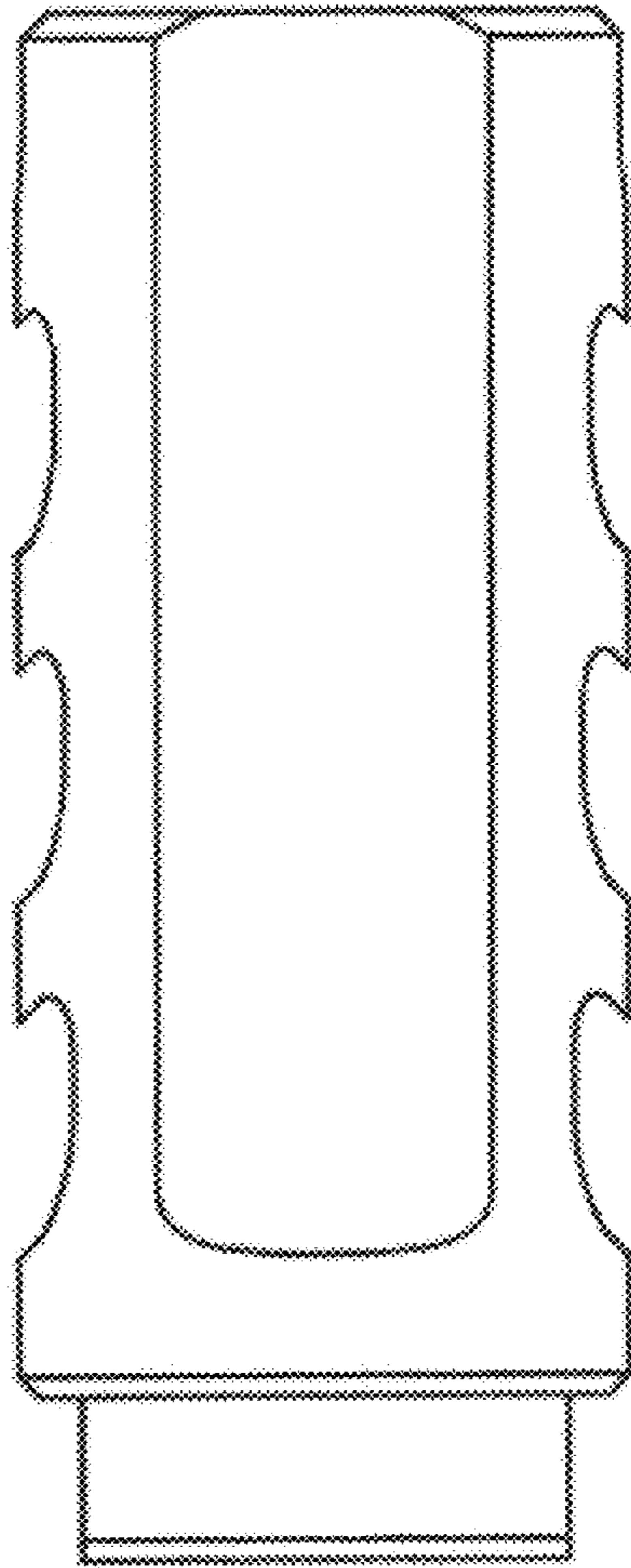


FIG. 8

UNITED STATES PATENT AND TRADEMARK OFFICE
CERTIFICATE OF CORRECTION

PATENT NO. : D900,954 S
APPLICATION NO. : 29/699366
DATED : November 3, 2020
INVENTOR(S) : Alex Iosilevsky

Page 1 of 1

It is certified that error appears in the above-identified patent and that said Letters Patent is hereby corrected as shown below:

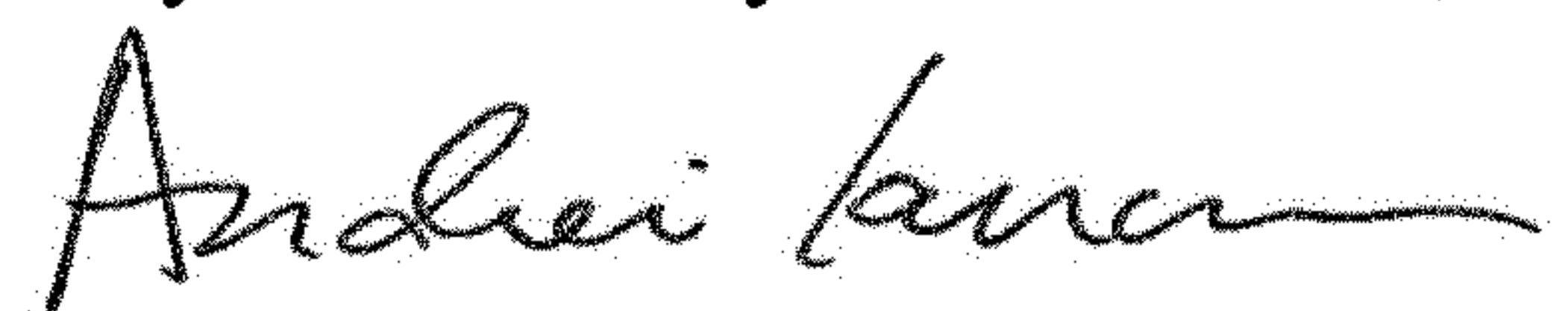
On the Title Page

Item (12), delete "Losilevsky" and insert -- Iosilevsky --.

Item (71), Applicant reads "Alex Losilevsky" and should read -- Alex Iosilevsky --.

Item (72), Inventor reads "Alex Losilevsky" and should read -- Alex Iosilevsky --.

Signed and Sealed this
Twenty-second Day of December, 2020



Andrei Iancu
Director of the United States Patent and Trademark Office