



(12) **United States Design Patent**
Iosilevsky

(10) **Patent No.:** **US D900,953 S**
(45) **Date of Patent:** **** Nov. 3, 2020**

- (54) **FIREARM MUZZLE BRAKE**
- (71) Applicant: **Alex Iosilevsky**, San Francisco, CA (US)
- (72) Inventor: **Alex Iosilevsky**, San Francisco, CA (US)
- (73) Assignee: **Armaspec, Inc.**, Burlingame, CA (US)
- (**) Term: **15 Years**
- (21) Appl. No.: **29/699,364**
- (22) Filed: **Jul. 24, 2019**
- (51) **LOC (12) Cl.** **22-01**
- (52) **U.S. Cl.**
USPC **D22/109**
- (58) **Field of Classification Search**
USPC D22/108
CPC F41A 21/34; F41A 21/325; F41A 21/32;
F41A 21/28
See application file for complete search history.

- (56) **References Cited**
U.S. PATENT DOCUMENTS
9,080,829 B1 * 7/2015 Cellini F41A 21/34
10,533,819 B2 * 1/2020 Thomas F41A 21/30

* cited by examiner

Primary Examiner — Michael A. Pratt

(74) *Attorney, Agent, or Firm* — Wood Herron & Evans LLP

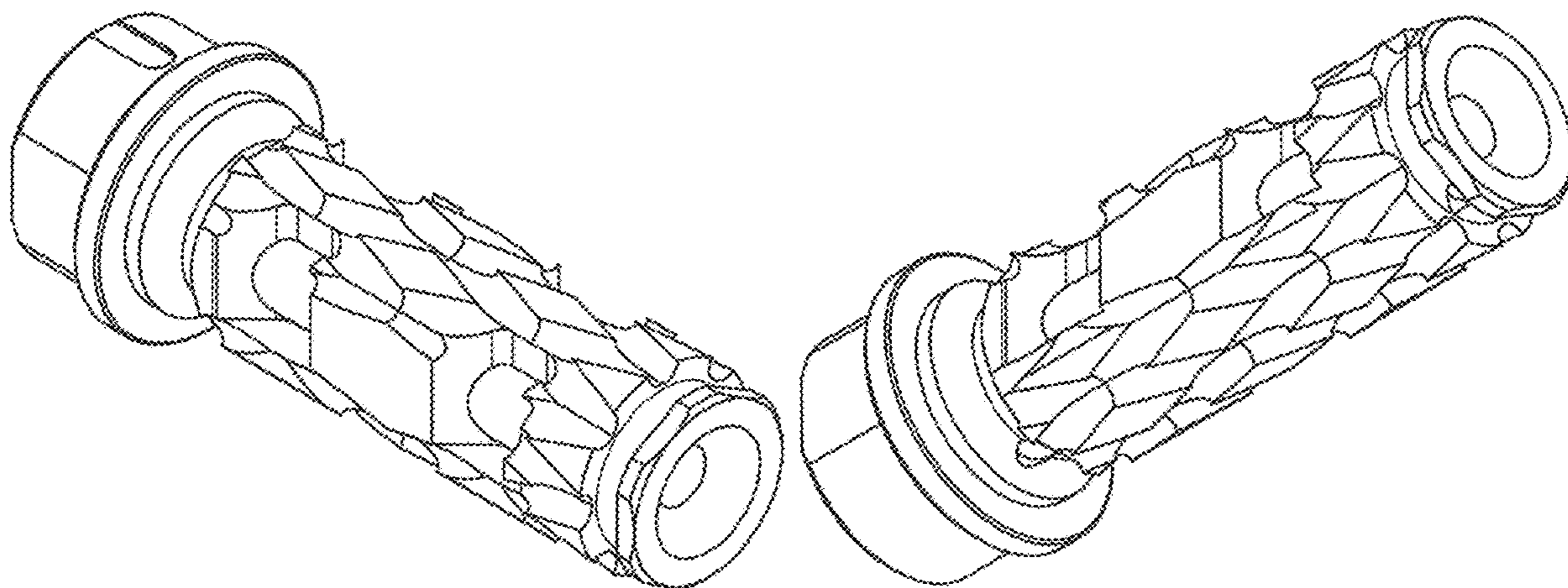
(57) **CLAIM**

The ornamental design for a firearms muzzle brake, as shown and described.

DESCRIPTION

FIG. 1 is a rear perspective view of the firearms muzzle brake showing the design;
 FIG. 2 is a front perspective view of the firearms muzzle brake;
 FIG. 3 is a front end view of the firearms muzzle brake;
 FIG. 4 is a rear end view of the firearms muzzle brake;
 FIG. 5 is a left side view of the firearms muzzle brake;
 FIG. 6 is a front bottom left perspective view of the firearms muzzle brake;
 FIG. 7 is a top plan view of the firearms muzzle brake; and,
 FIG. 8 is a bottom plan view of the firearms muzzle brake.
 The broken line showing of the outer housing sleeve of the firearms muzzle brake is included for the purpose of illustrating environment and forms no part of the claimed design.

1 Claim, 7 Drawing Sheets



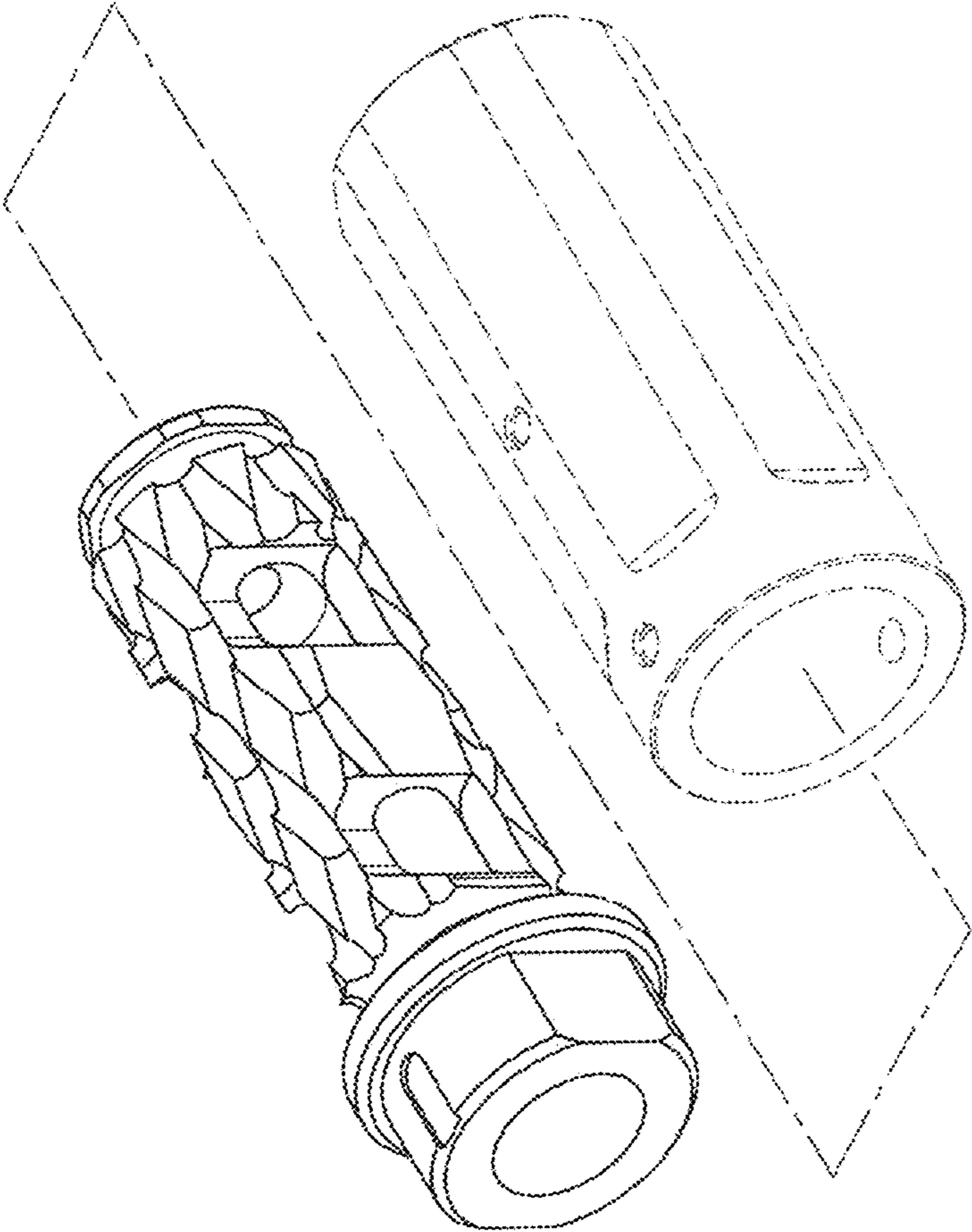


FIG.1

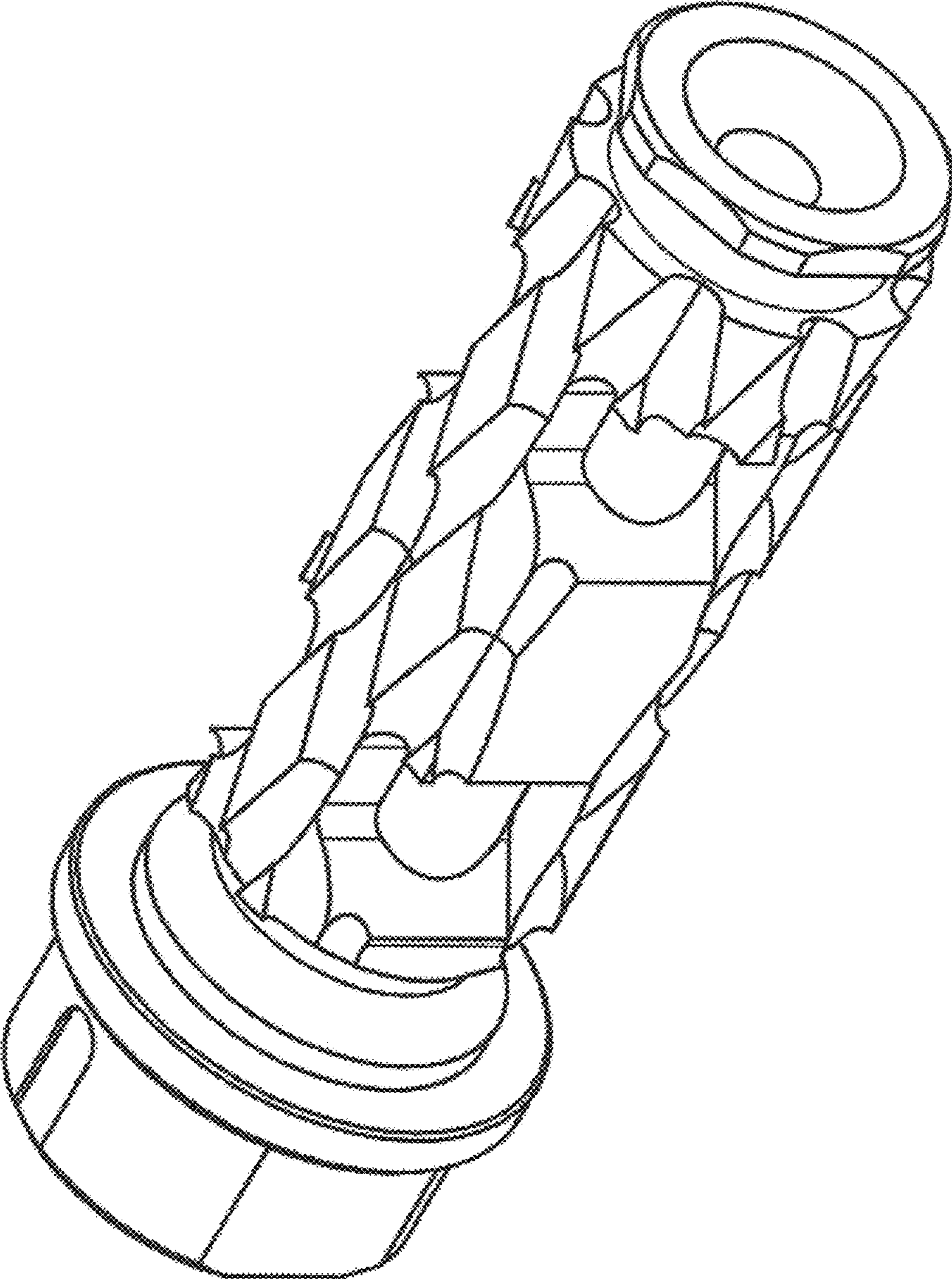


FIG. 2

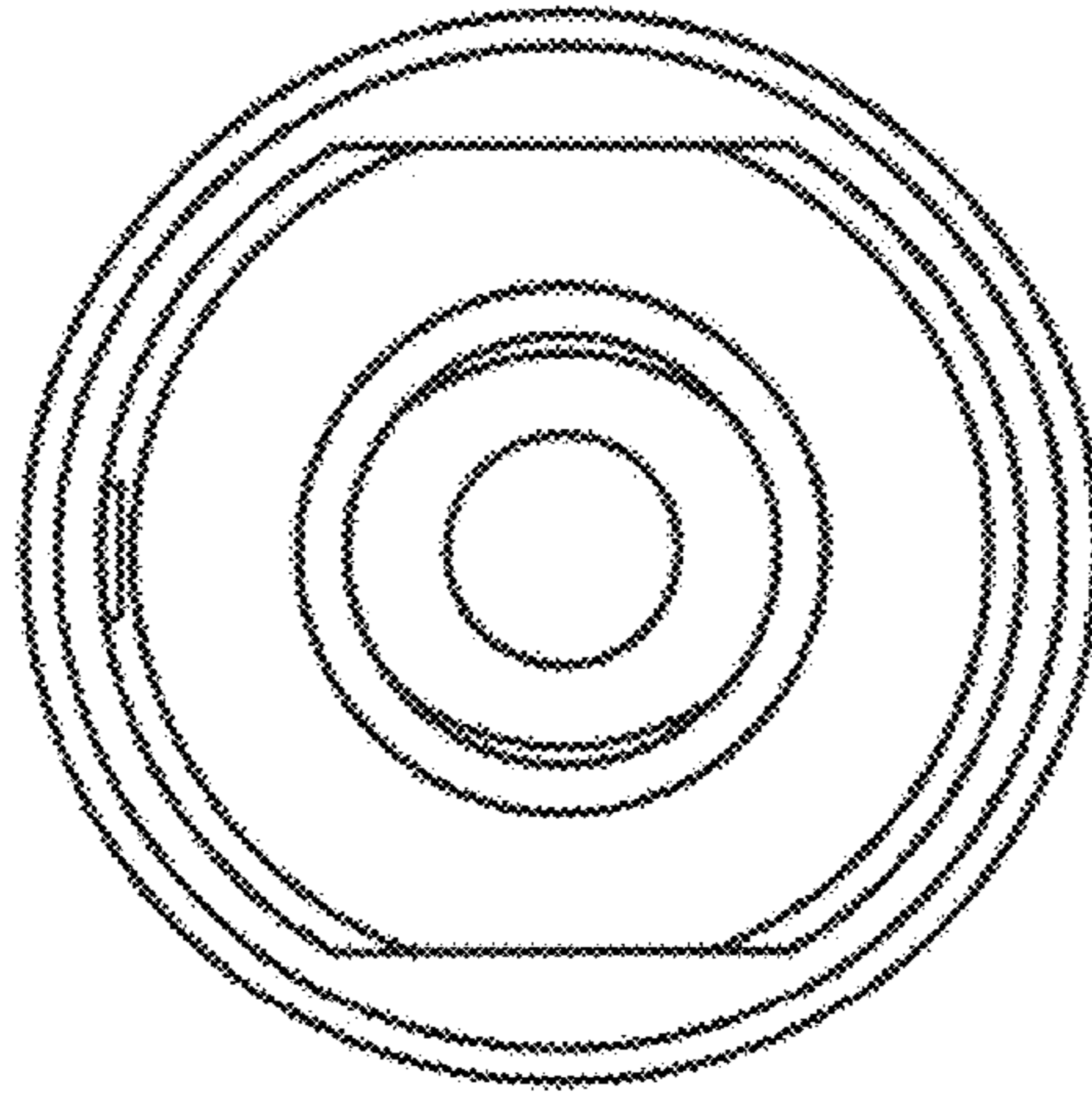


FIG. 4

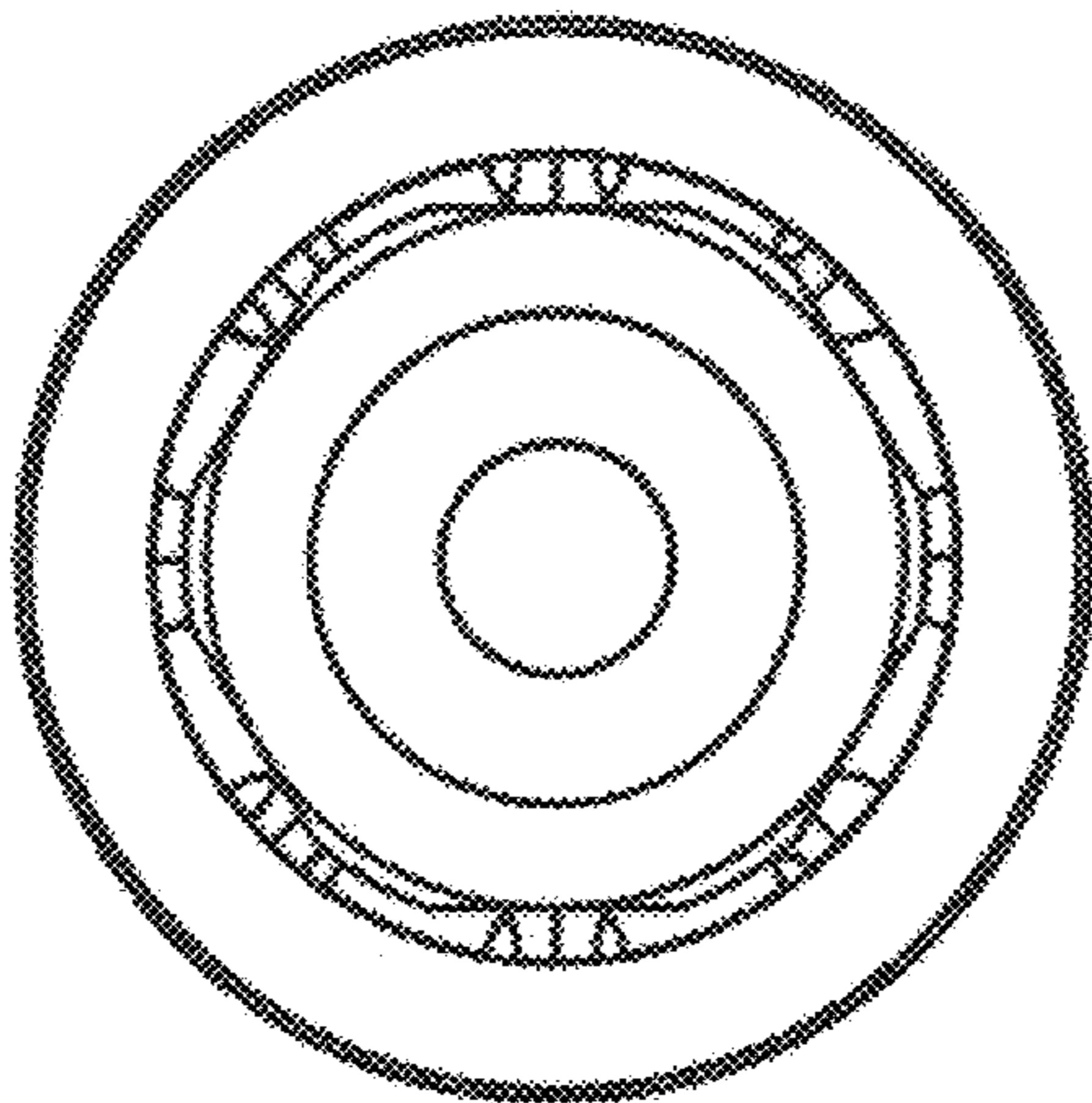


FIG. 3

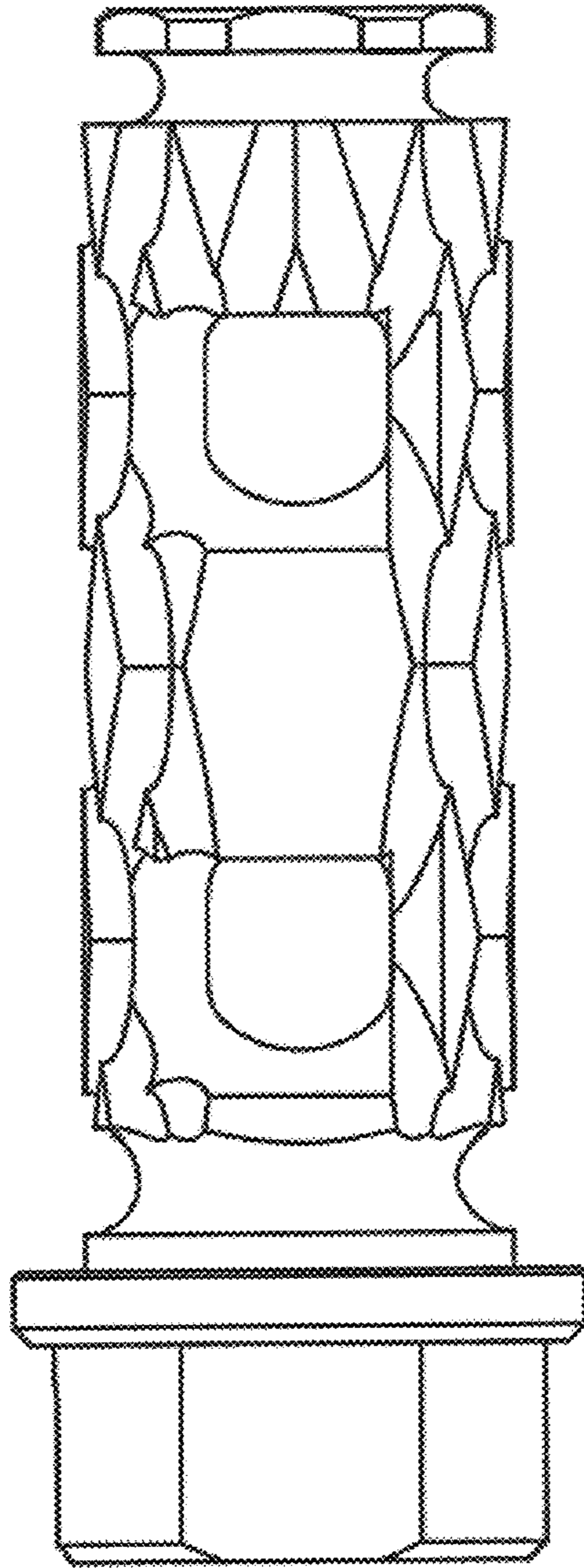


FIG. 5

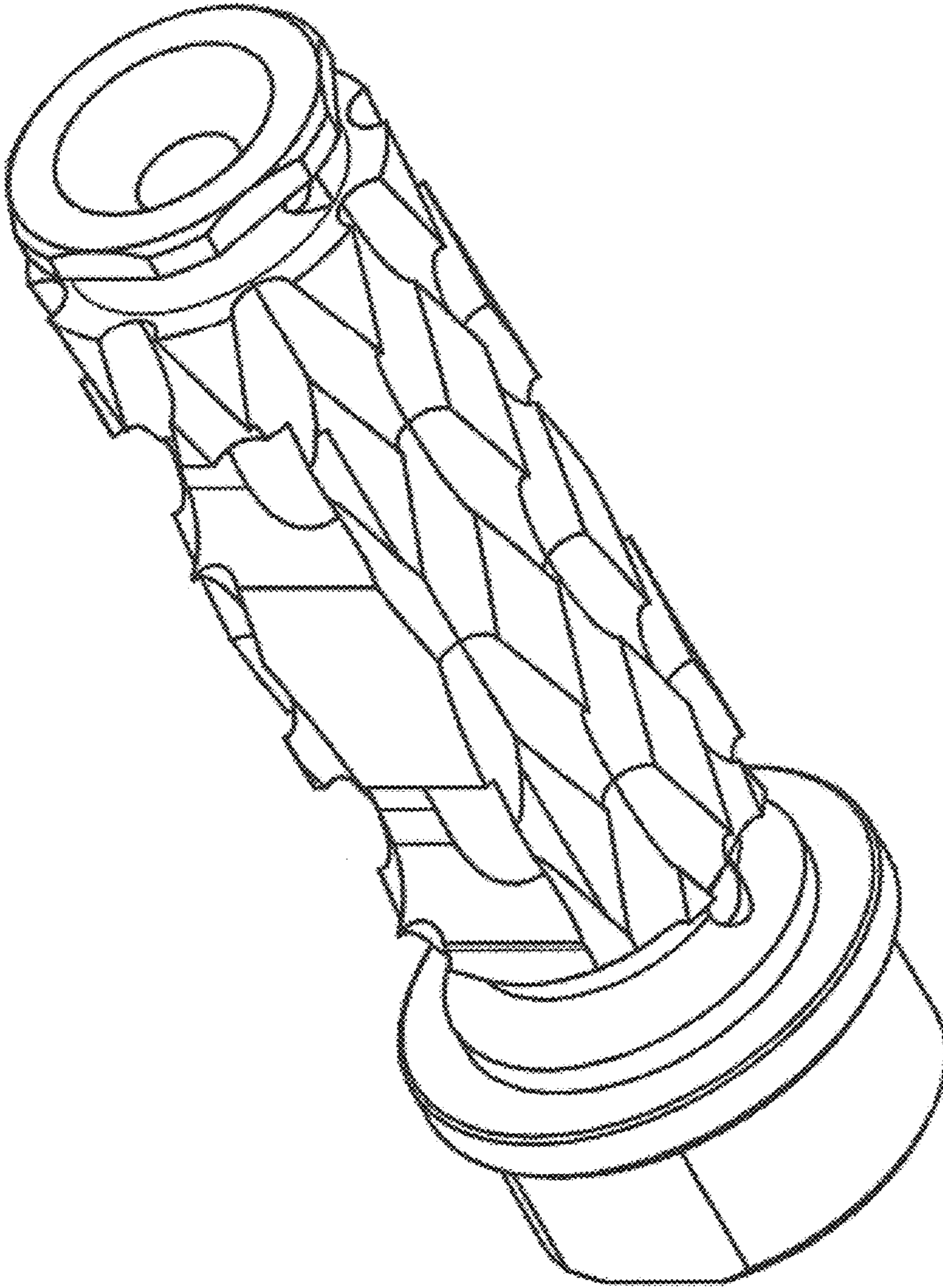


FIG. 6

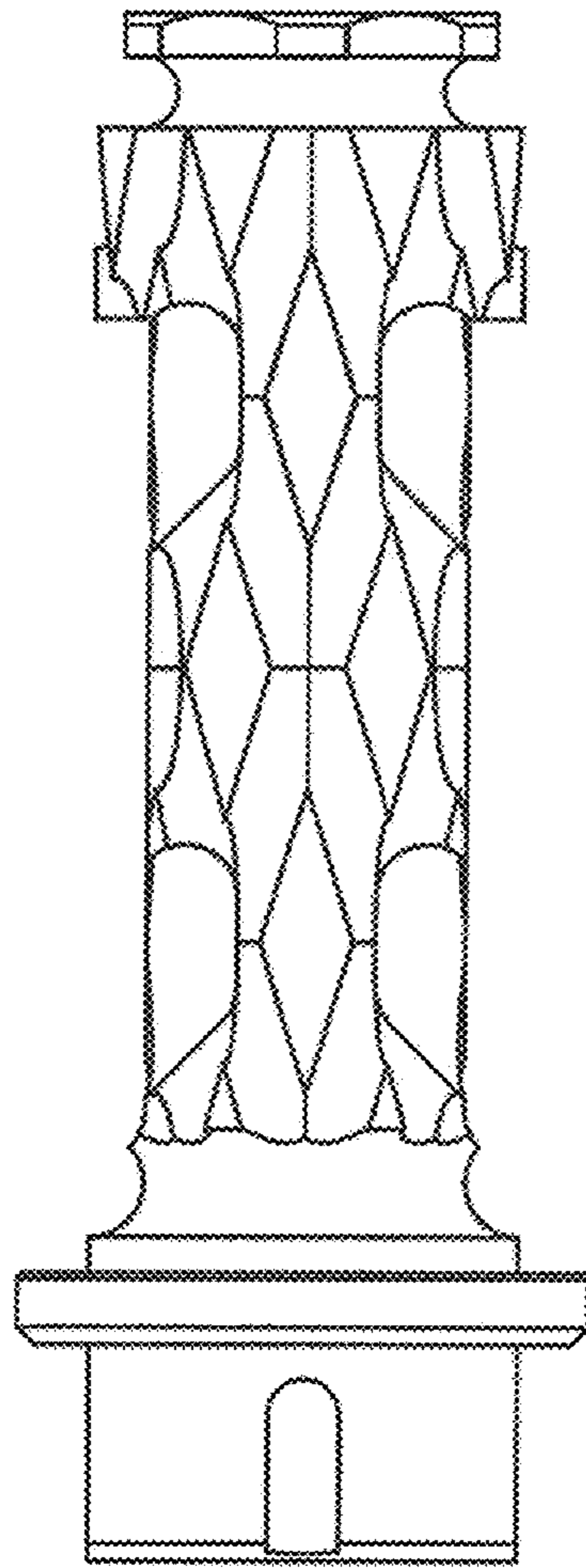


FIG. 7

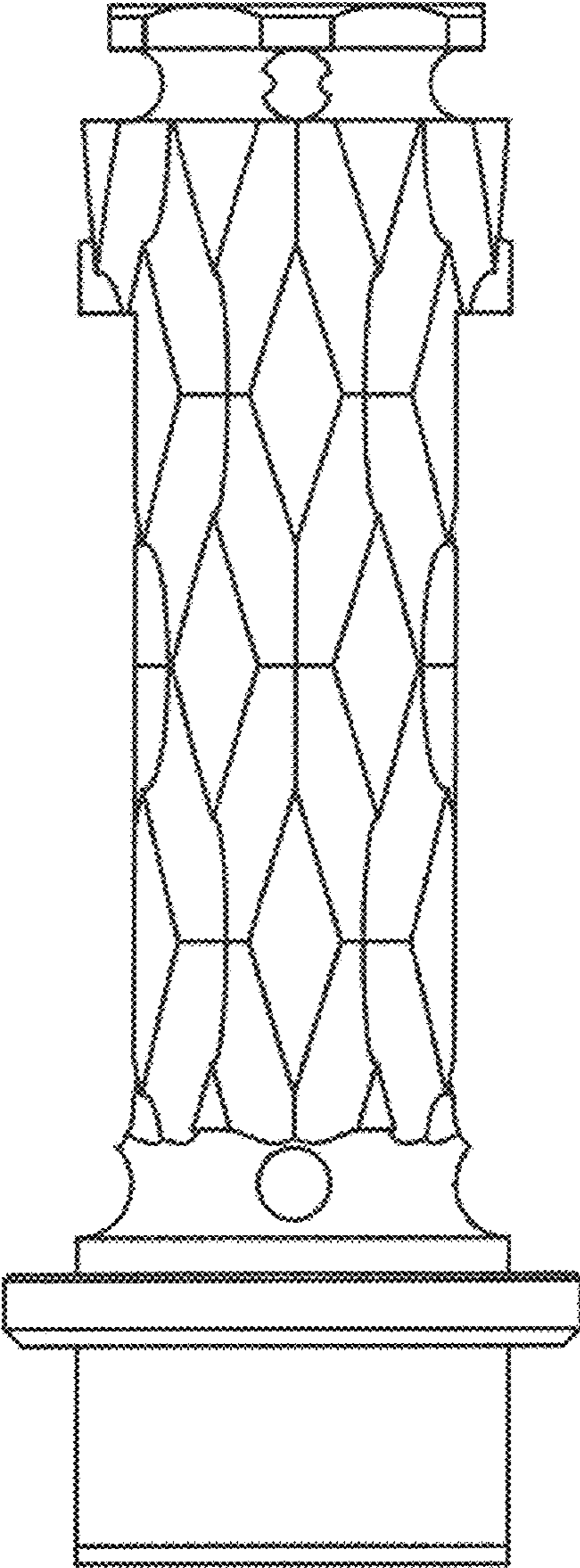


FIG. 8