



US00D900952S

(12) **United States Design Patent** (10) **Patent No.:** **US D900,952 S**
Geissele (45) **Date of Patent:** **** Nov. 3, 2020**

(54) **FIREARM TRIGGER**
(71) Applicant: **WHG Properties, LLC**, North Wales, PA (US)
(72) Inventor: **William H. Geissele**, Lower Gwynedd, PA (US)
(73) Assignee: **WHG Properties, LLC**, North Wales, PA (US)

8,966,802 B1 3/2015 Findlay
D740,907 S * 10/2015 Oglesby D22/108
9,194,639 B1 11/2015 Malheiros et al.
D745,943 S 12/2015 Geissele
D746,402 S 12/2015 Siddle
9,267,751 B2 2/2016 Ruiz
(Continued)

(**) Term: **15 Years**
(21) Appl. No.: **29/731,173**
(22) Filed: **Apr. 13, 2020**

FOREIGN PATENT DOCUMENTS

WO 2019173070 A1 9/2019

OTHER PUBLICATIONS

I, Ray, ALG Defense AKT-E AK Triggers Now Available, posted at The Firearm Blog, posting date Sep. 23, 2016. Site visited May 29, 2020. URL: <<https://www.thefirearmblog.com/blog/2016/09/23/alg-defense-akt-e-ak-triggers-now-available/>> (Year: 2016).*
(Continued)

Related U.S. Application Data

(62) Division of application No. 29/636,204, filed on Feb. 7, 2018.
(51) **LOC (12) Cl.** **22-01**
(52) **U.S. Cl.**
USPC **D22/108**
(58) **Field of Classification Search**
USPC D22/103, 107, 108-111, 199;
D21/571-575
CPC F41A 19/10; F41A 19/11; F41A 19/12;
F41A 19/09; F41A 19/00; F41A 17/46;
F41A 17/52; F41A 17/56; F41A 17/62
See application file for complete search history.

Primary Examiner — Kevin K Rudzinski
Assistant Examiner — Kathleen L Jones
(74) *Attorney, Agent, or Firm* — Fox Rothschild LLP

(57) **CLAIM**

The ornamental design for a firearm trigger, as shown and described.

DESCRIPTION

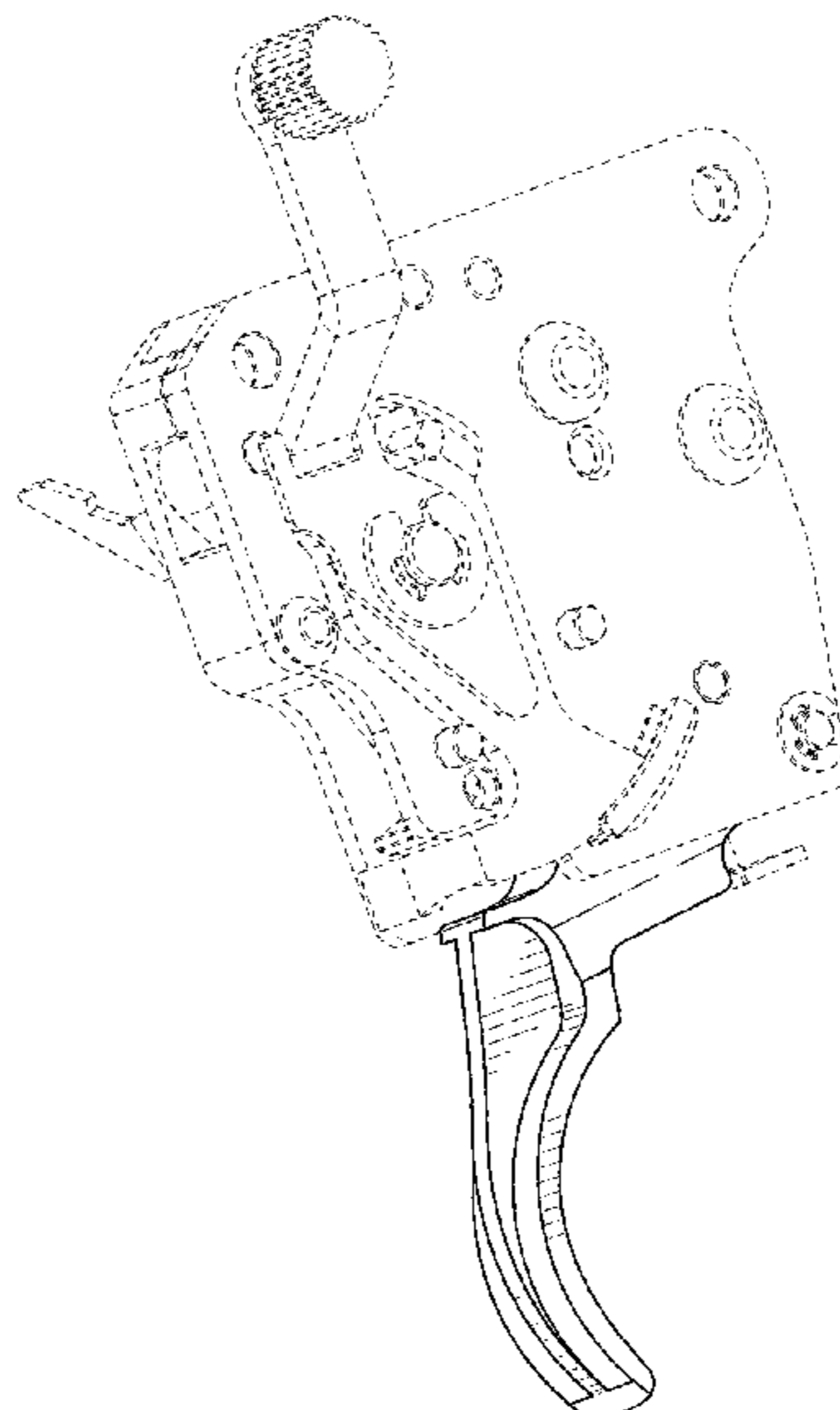
FIG. 1 is an isometric view of a firearm trigger according to the present disclosure.
FIG. 2 is a left side view of the firearm trigger of FIG. 1.
FIG. 3 is a right side view of the firearm trigger of FIG. 1.
FIG. 4 is a front view of the firearm trigger of FIG. 1.
FIG. 5 is a rear view of the firearm trigger of FIG. 1.
FIG. 6 is a top view of the firearm trigger of FIG. 1; and,
FIG. 7 is a bottom view of the firearm trigger of FIG. 1.
The broken lines in the Figures illustrate portions of the article that form no part of the claimed design.

(56) **References Cited**

U.S. PATENT DOCUMENTS

D364,207 S 11/1995 Tuomey
6,553,706 B1 4/2003 Gancarz et al.
D585,954 S * 2/2009 Bubits D22/108
D593,617 S 6/2009 Dochterman
D597,626 S * 8/2009 Krieger D22/108
D659,790 S * 5/2012 Geissele D22/108
8,646,201 B2 2/2014 Hughes et al.
8,677,665 B1 3/2014 Huber

1 Claim, 4 Drawing Sheets



(56)

References Cited

U.S. PATENT DOCUMENTS

D750,725 S 3/2016 Capps et al.
 9,310,150 B1 4/2016 Geissele
 D755,339 S * 5/2016 Geissele D22/108
 D777,285 S 1/2017 Bender
 9,618,288 B2 * 4/2017 Wilson F41A 19/10
 9,927,197 B1 3/2018 Geissele
 10,006,734 B1 6/2018 Findlay
 D828,895 S 9/2018 Geissele
 D833,562 S 11/2018 Geissele
 D835,743 S * 12/2018 Bender D22/108
 10,156,409 B1 12/2018 Laney et al.
 10,393,459 B2 8/2019 Tompkins
 10,401,107 B2 9/2019 Martinez
 10,458,736 B2 10/2019 Galie et al.
 10,514,223 B1 12/2019 Rounds
 D886,225 S * 6/2020 Geissele D22/108
 D887,515 S * 6/2020 Geissele D22/108
 10,690,430 B2 * 6/2020 Galie F41A 19/16
 2009/0183414 A1 * 7/2009 Geissele F41A 19/10
 42/69.03
 2015/0338182 A1 11/2015 Lipowski
 2016/0076842 A1 * 3/2016 Faxon F41A 17/22
 42/69.01
 2016/0084600 A1 3/2016 Siddle
 2016/0305730 A1 10/2016 Dextraze
 2017/0089655 A1 3/2017 Geissele
 2017/0191776 A1 7/2017 Dextraze

2017/0321983 A1 11/2017 Bender
 2018/0112944 A1 4/2018 Underwood et al.
 2019/0257606 A1 8/2019 Olson et al.
 2019/0271518 A1 9/2019 McKillips et al.
 2020/0025488 A1 1/2020 Alicea, Jr.
 2020/0041222 A1 2/2020 Lobert
 2020/0064095 A1 * 2/2020 Geissele F41A 17/46
 2020/0080812 A1 3/2020 Galie et al.
 2020/0096275 A1 * 3/2020 Geissele F41A 17/46
 2020/0096278 A1 * 3/2020 Olson F41A 19/44

OTHER PUBLICATIONS

Pete, Geissele—New Triggers, Rails and Companies, posted at The Firearm Blog, posting date Jan. 14, 2017. Site visited May 29, 2020. URL: <<https://www.thefirearmblog.com/blog/2017/01/14/geissele-automatics-2017-triggers/>> (Year: 2017).*

Super 700 Trigger, posted at Geissele Automatics (Mar. 20, 2019), <https://geissele.com/super-700-two-stage-trigger.html#customer-reviews>.

Bix'n Andy TacSport Rem700 Single Stage Trigger—Top Safety, posted at BulletCentral (Sep. 11, 2017), <https://bulletcentral.com/product/bixn-and-tacsport-rem700-single-stage-trigger-top-safety/#reviews>.

Rem 700 Diamond Trigger, posted at TriggerTech (Nov. 9, 2017), <https://triggertech.com/products/diamond#shopify-product-reviews>.

* cited by examiner

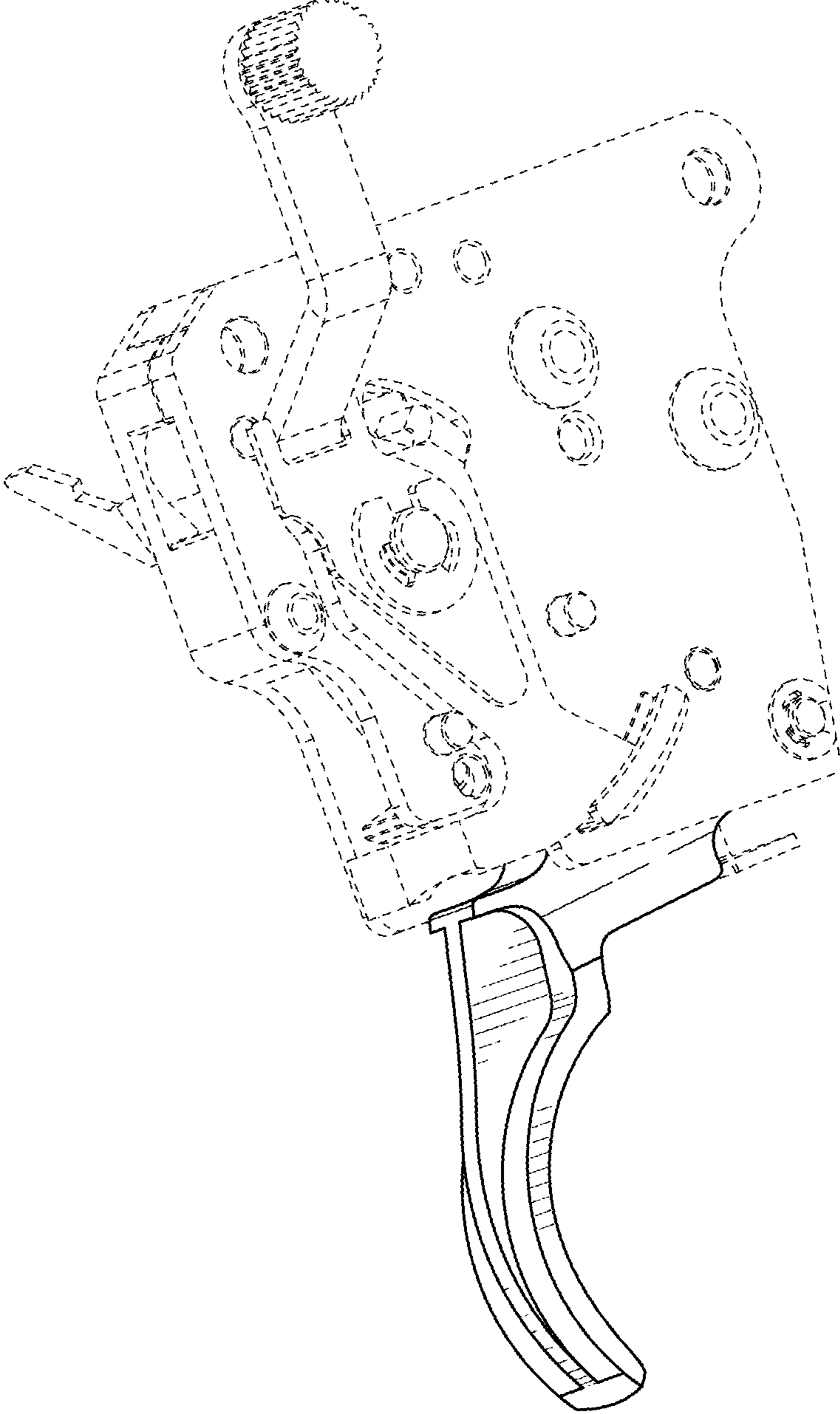


FIG. 1

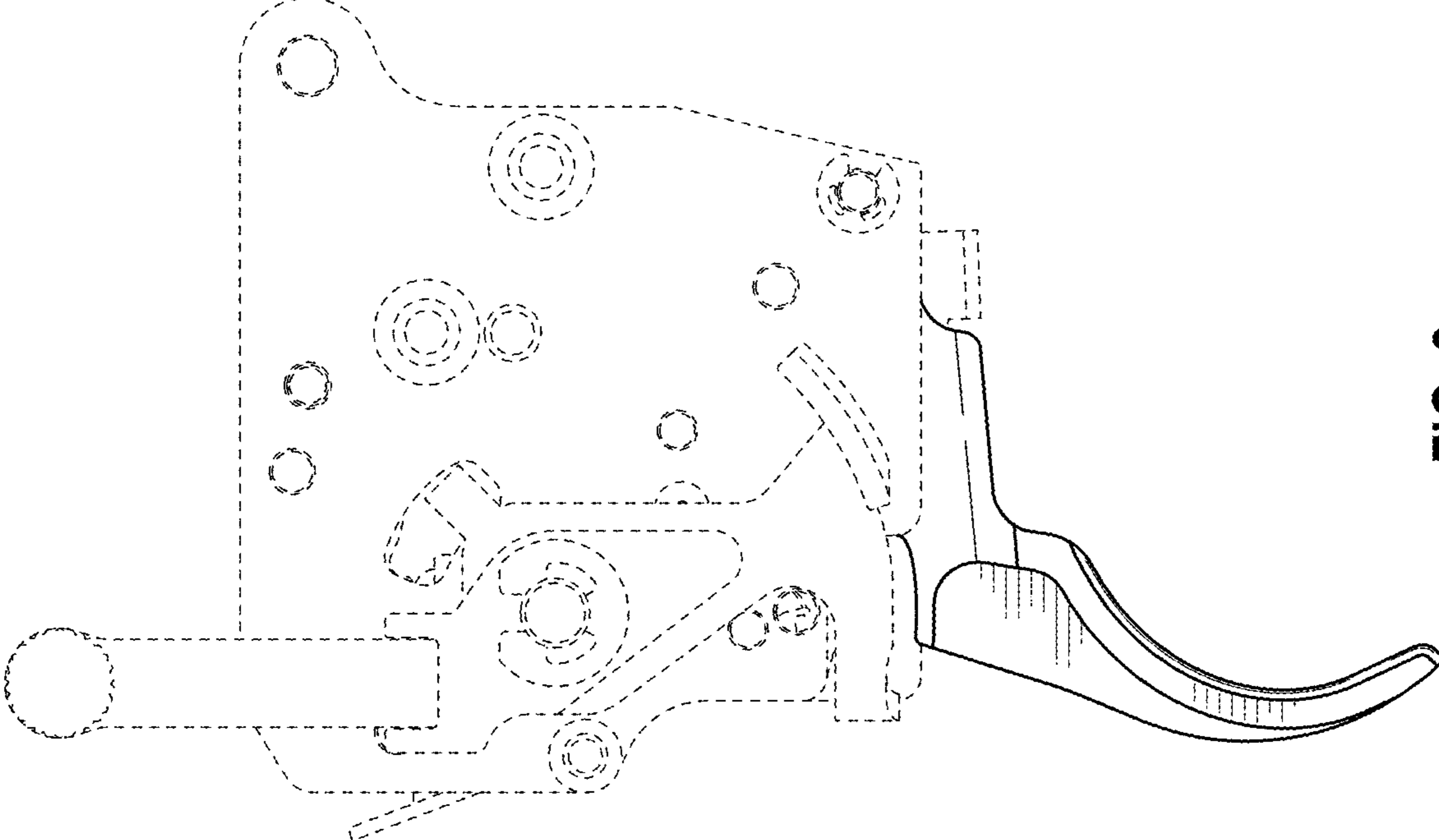


FIG. 3

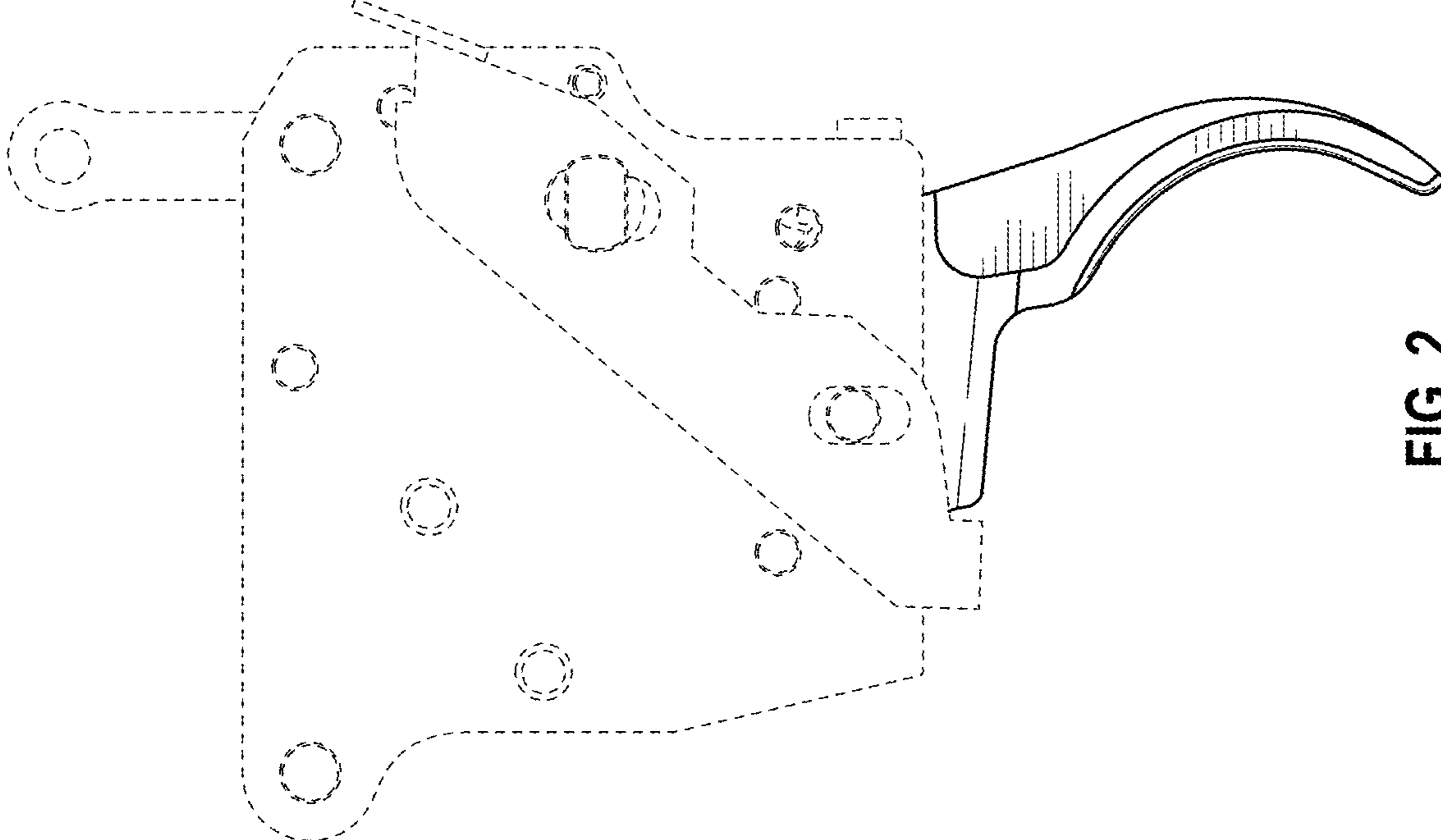


FIG. 2

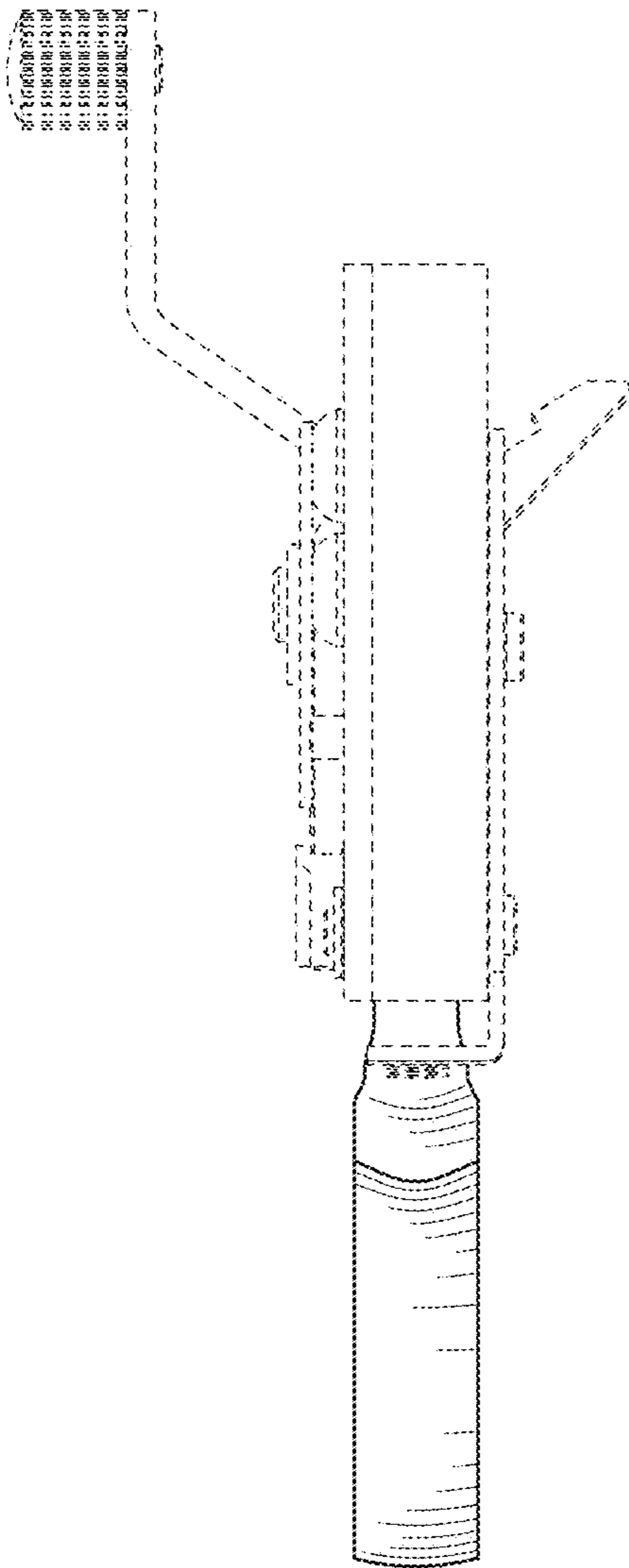


FIG. 4

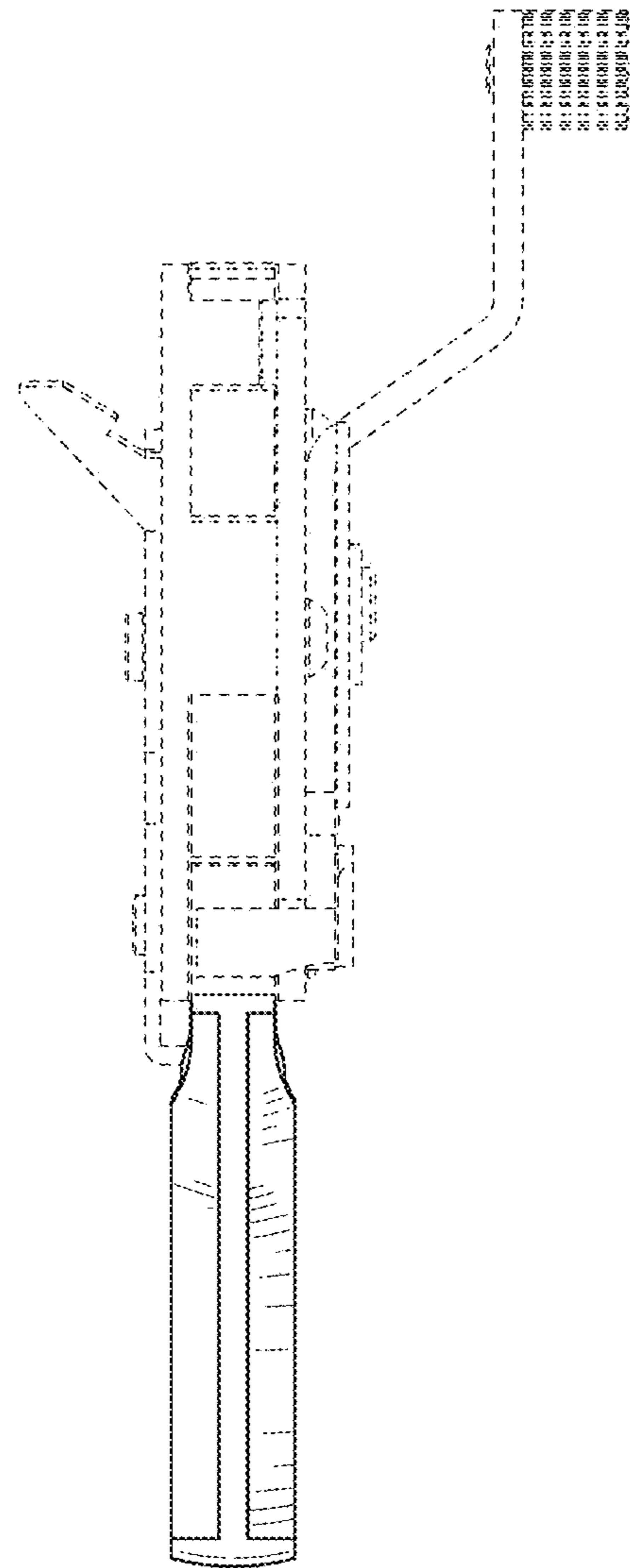


FIG. 5

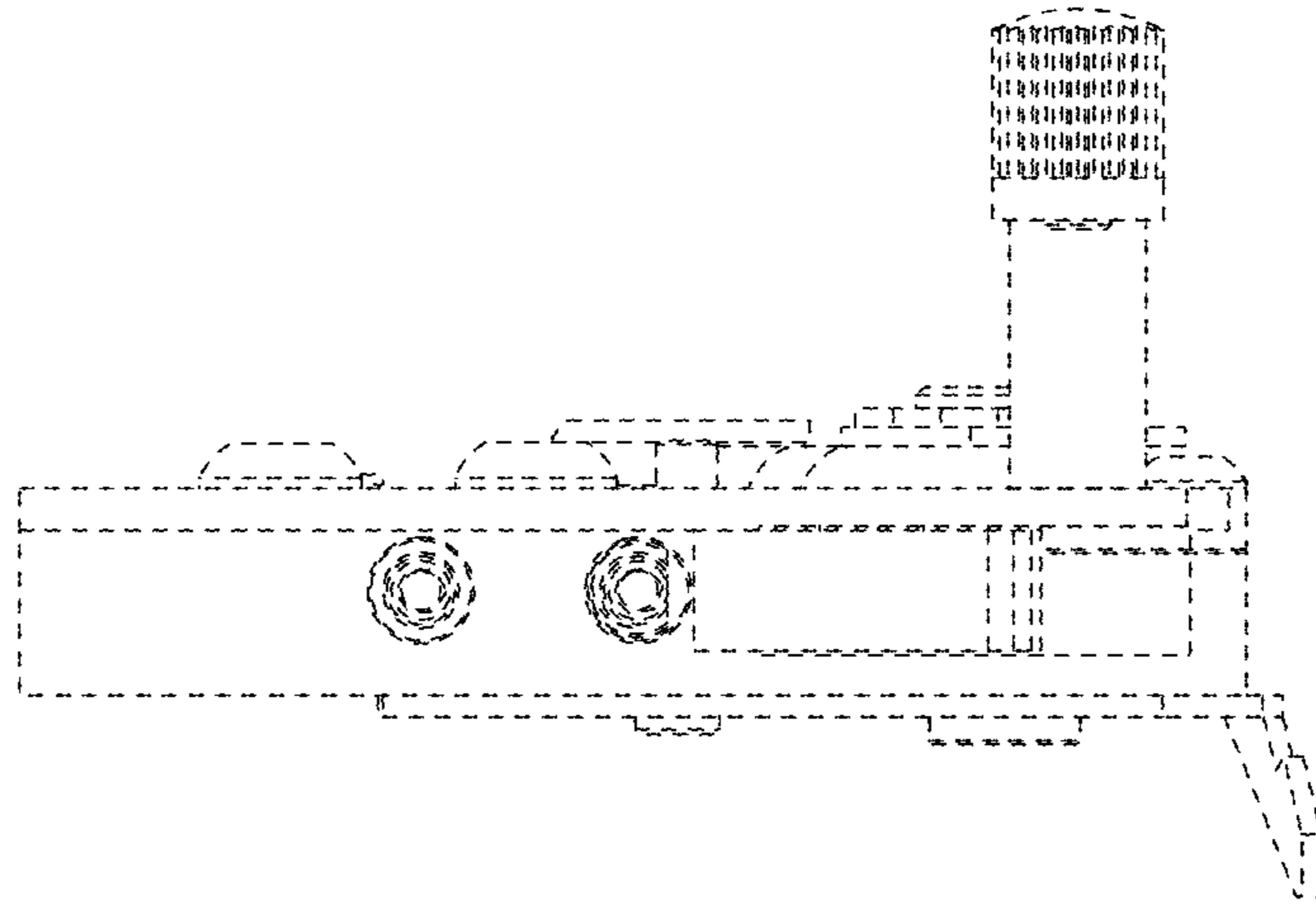


FIG. 6

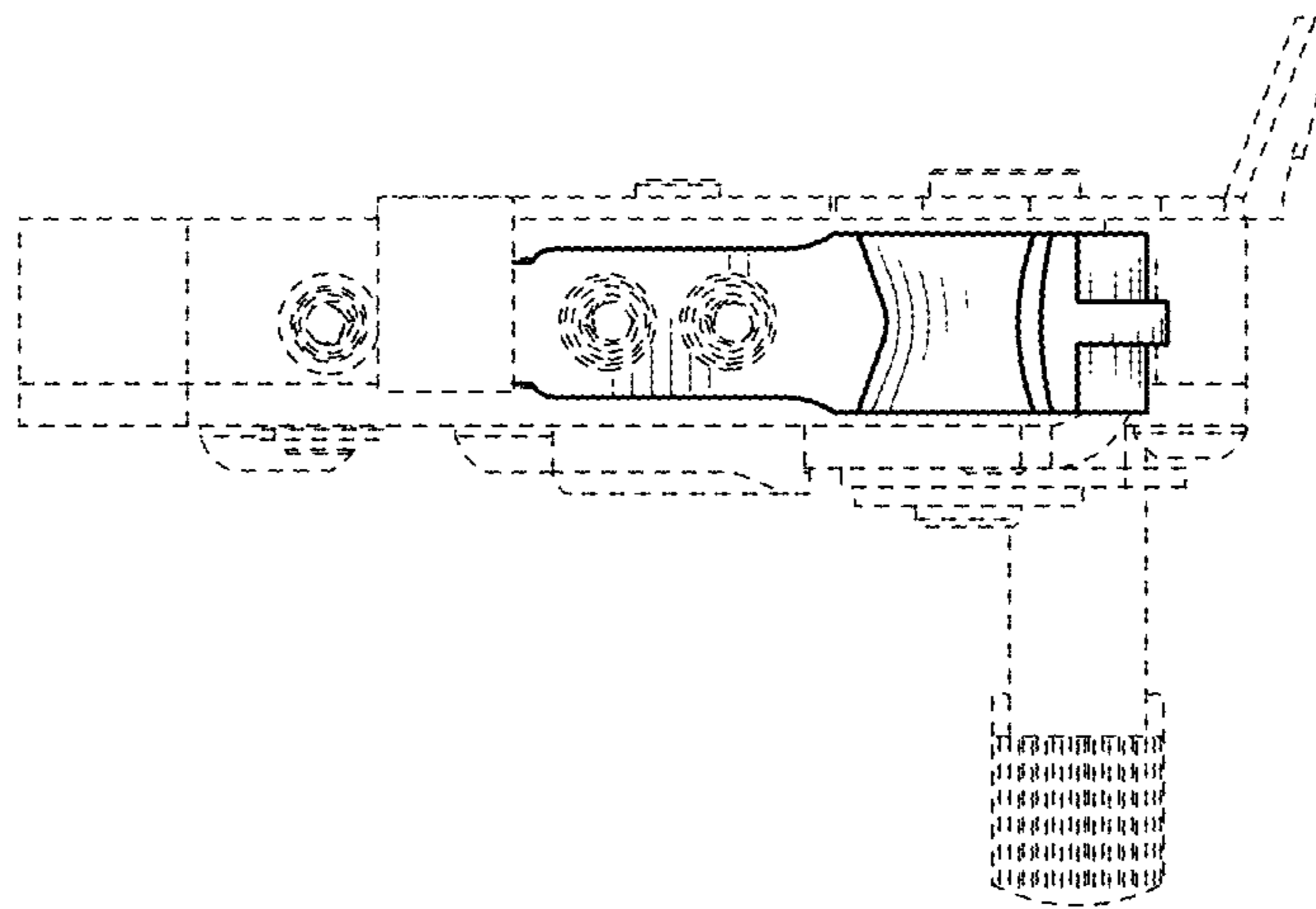


FIG. 7