



US00D900950S

(12) **United States Design Patent**
Tollefsbol et al.

(10) **Patent No.:** **US D900,950 S**
(45) **Date of Patent:** **** Nov. 3, 2020**

- (54) **FIREARM MAGAZINE RELEASE**
- (71) Applicants: **Trevor Tollefsbol**, Coeur d'Alene, ID (US); **Paul Muehlhausen**, Coeur d'Alene, ID (US); **Robert Hansel**, Mead, WA (US)
- (72) Inventors: **Trevor Tollefsbol**, Coeur d'Alene, ID (US); **Paul Muehlhausen**, Coeur d'Alene, ID (US); **Robert Hansel**, Mead, WA (US)
- (73) Assignee: **Keres Dynamics**, Coeur d'Alene, ID (US)
- (**) Term: **15 Years**
- (21) Appl. No.: **29/668,951**
- (22) Filed: **Nov. 2, 2018**
- (51) **LOC (12) Cl.** **22-01**
- (52) **U.S. Cl.**
USPC **D22/108**
- (58) **Field of Classification Search**
USPC D22/104, 108; D21/573-575
CPC F41A 9/59; F41A 35/06; F41A 9/63; F41A 17/34
See application file for complete search history.

(56) **References Cited**

U.S. PATENT DOCUMENTS

- D834,131 S * 11/2018 Geissele D22/108
- 2018/0347925 A1 * 12/2018 Gibbens F41A 3/66
- 2019/0033022 A1 * 1/2019 Henninger F41A 9/59
- 2019/0301824 A1 * 10/2019 Maeda F41A 17/56

FOREIGN PATENT DOCUMENTS

- DE 3714464 A1 * 11/1988 F41A 11/00

* cited by examiner

Primary Examiner — Michael A. Pratt
(74) *Attorney, Agent, or Firm* — Randall Palmer

(57) **CLAIM**

The ornamental design for the firearm magazine release, as shown and described.

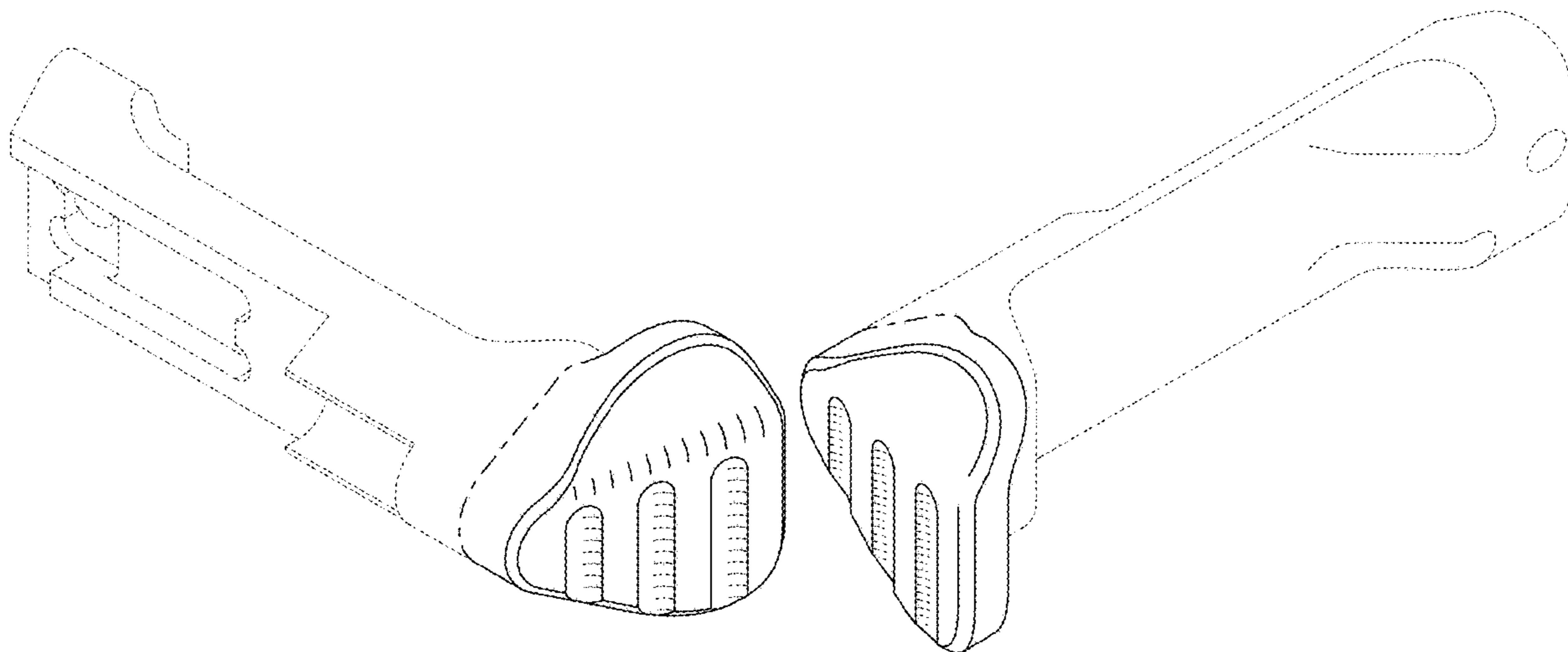
DESCRIPTION

FIG. 1 is a first perspective view depicting an embodiment of a new design for a firearm magazine release.
 FIG. 2 is a front view depicting an embodiment of a new design for a firearm magazine release.
 FIG. 3 is a left view depicting an embodiment of a new design for a firearm magazine release.
 FIG. 4 is a top view depicting an embodiment of a new design for a firearm magazine release.
 FIG. 5 is a bottom view depicting an embodiment of a new design for a firearm magazine release.
 FIG. 6 is a right view depicting an embodiment of a new design for a firearm magazine release.
 FIG. 7 is a second perspective view depicting an embodiment of a new design for a firearm magazine release.
 FIG. 8 is a third perspective view depicting an embodiment of a new design for a firearm magazine release.
 FIG. 9 is a fourth perspective view depicting an embodiment of a new design for a firearm magazine release; and,
 FIG. 10 is a front view depicting an embodiment of a new design of a firearm magazine release installed in an exemplary firearm.

The portions shown in broken line are for illustrative purposes only and form no part of the claimed design. Dash dot lines shown at the boundary between broken lines and solid lines are included to delineate claimed design from unclaimed portions thereof and of themselves are unclaimed portions of the design.

The short long short broken line(s) define the bounds of the claimed design and form no part thereof.

1 Claim, 10 Drawing Sheets



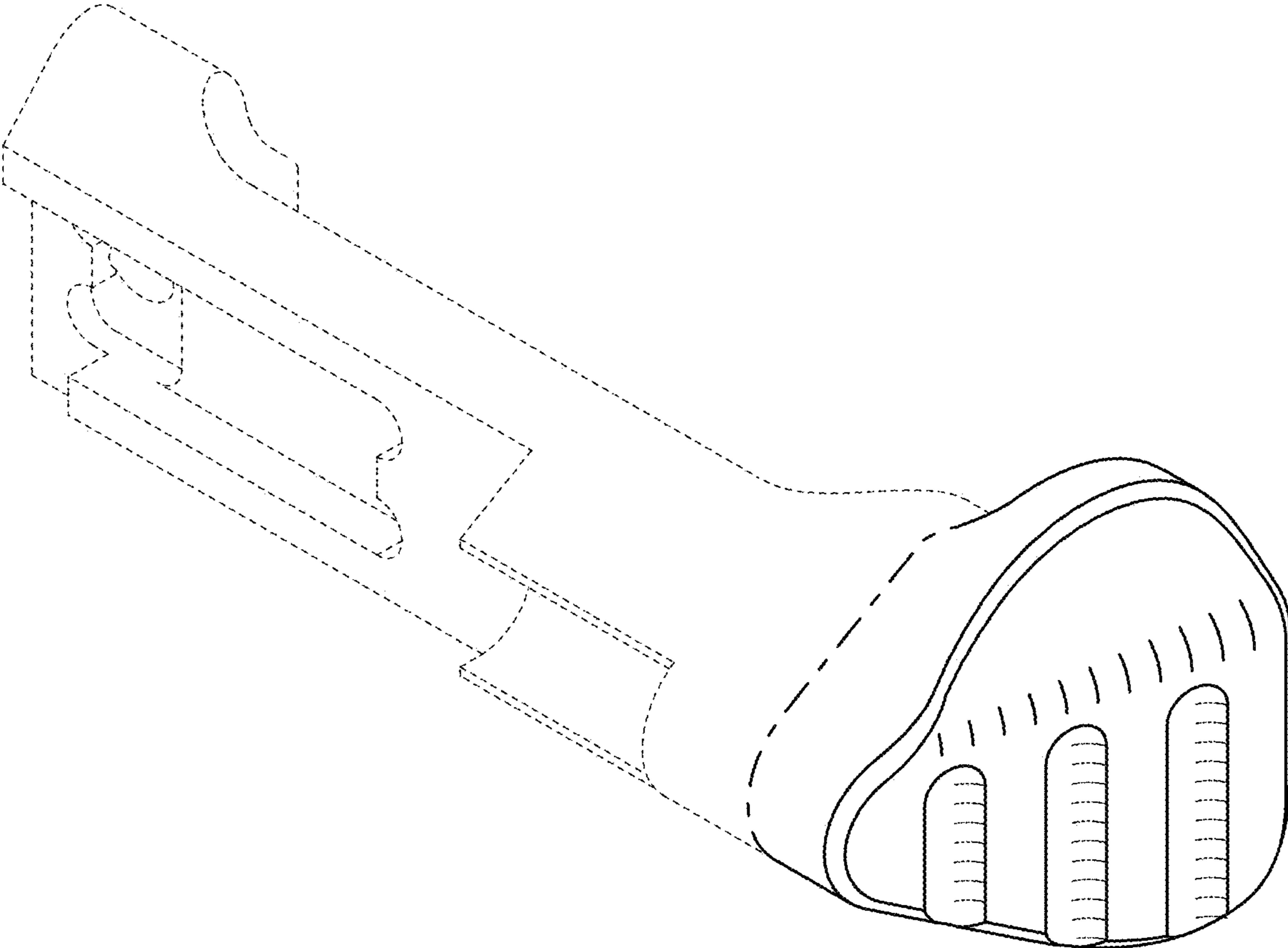


FIG. 1

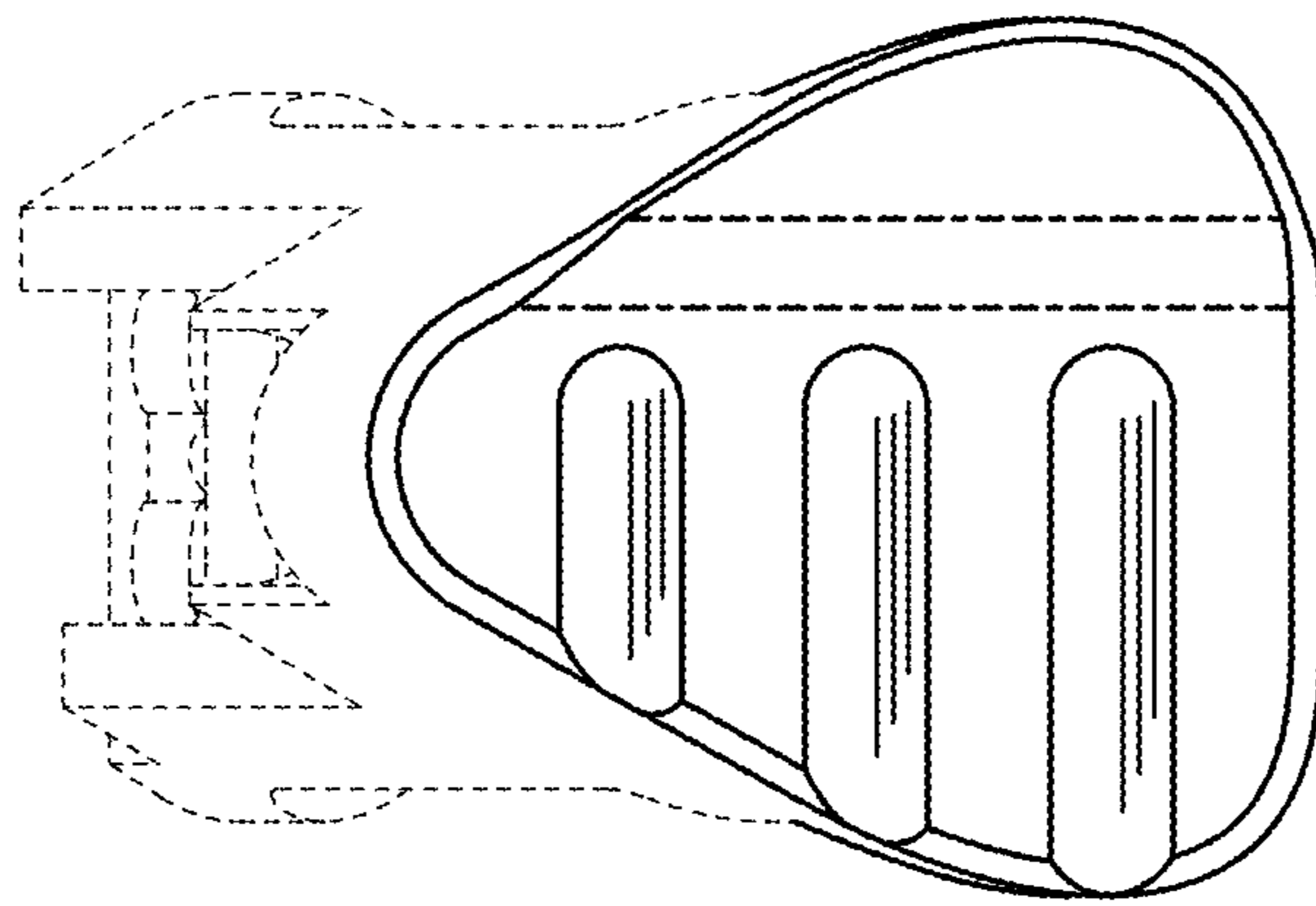


FIG. 2

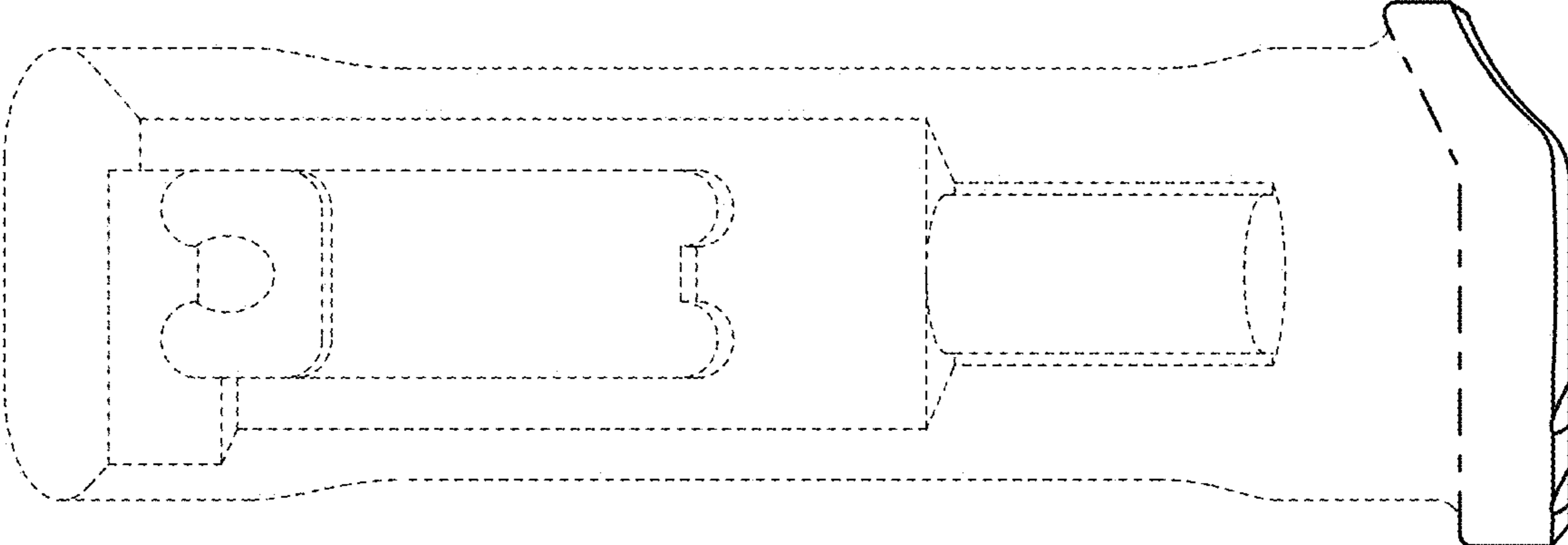


FIG. 3

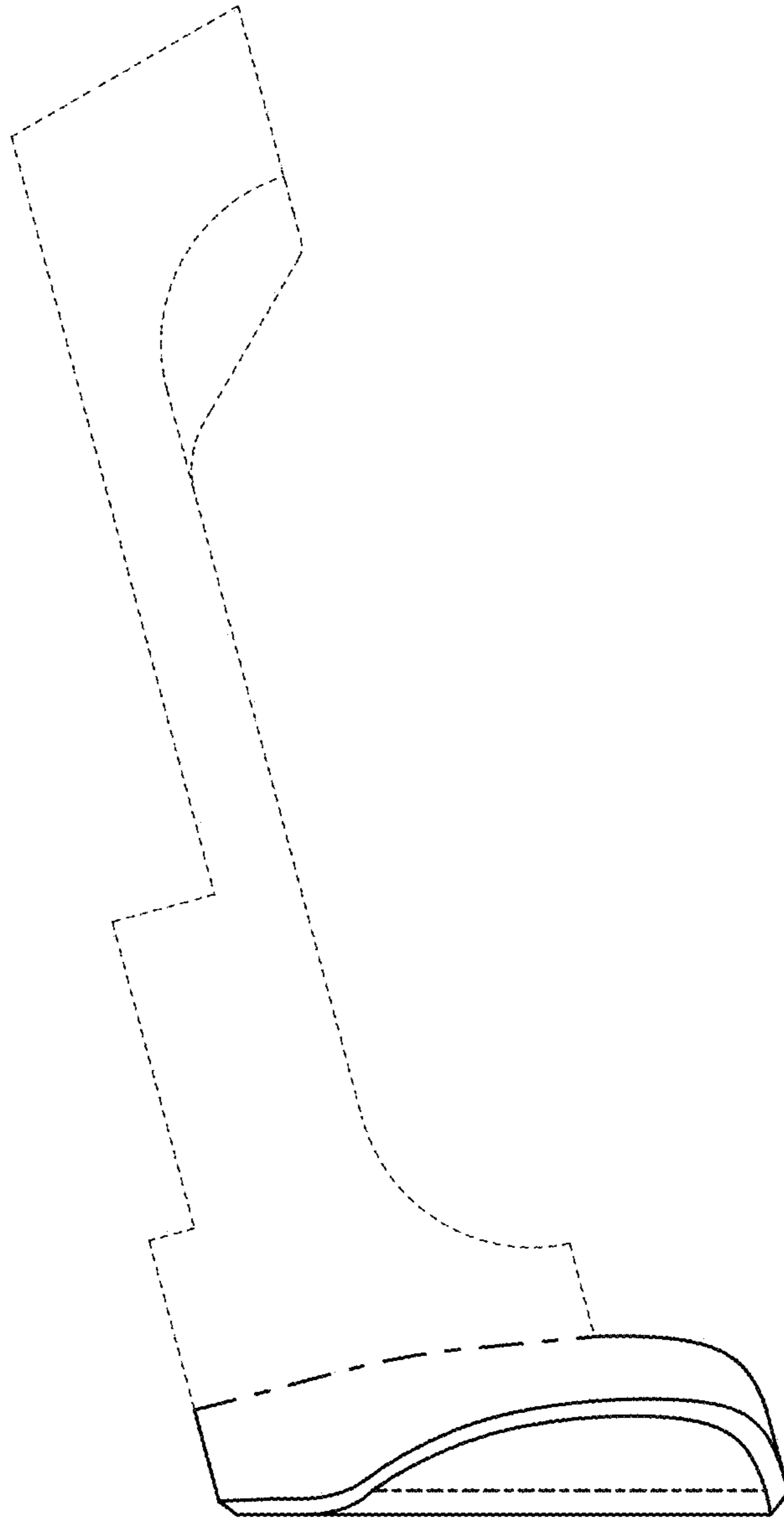


FIG. 4

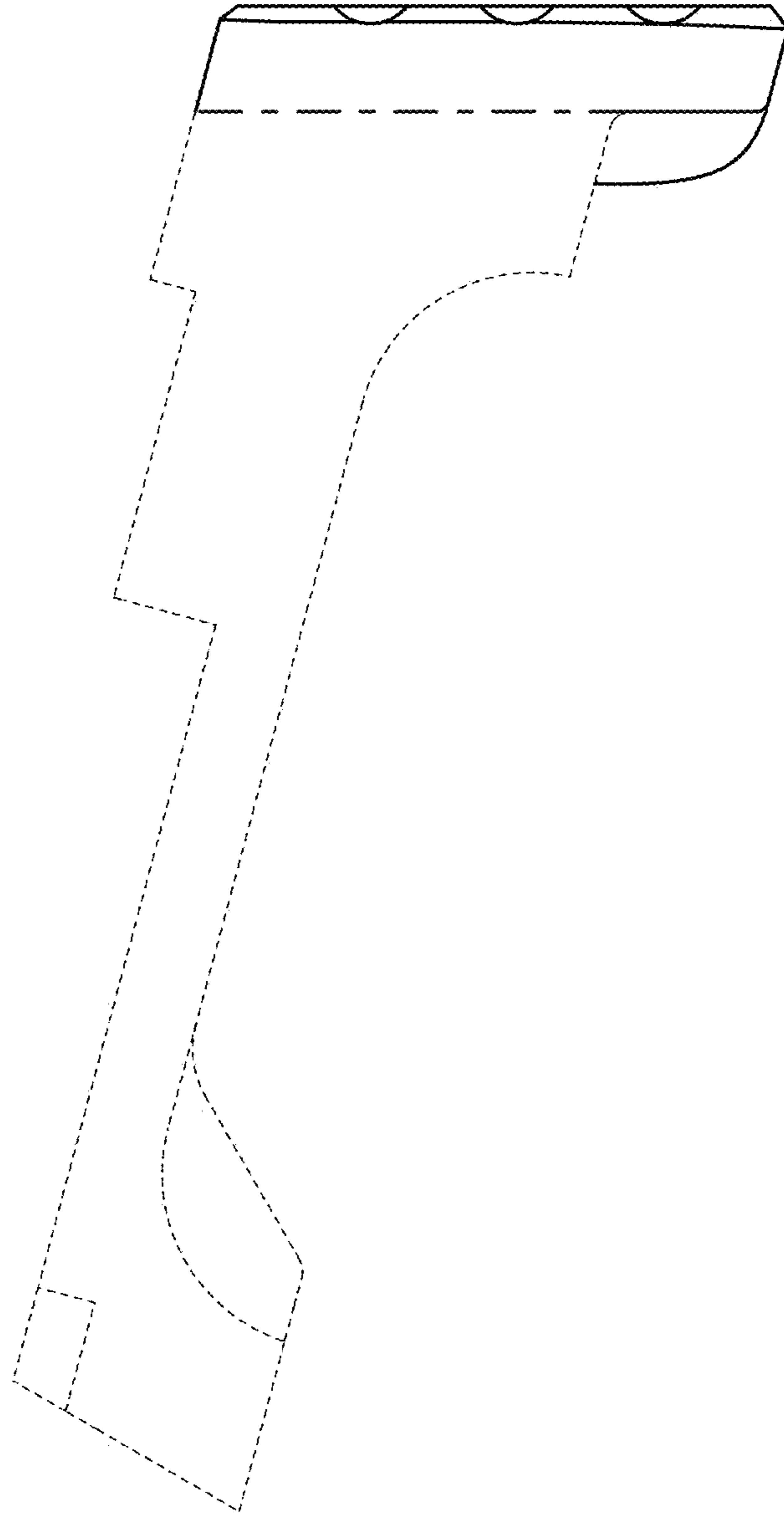


FIG. 5



FIG. 6

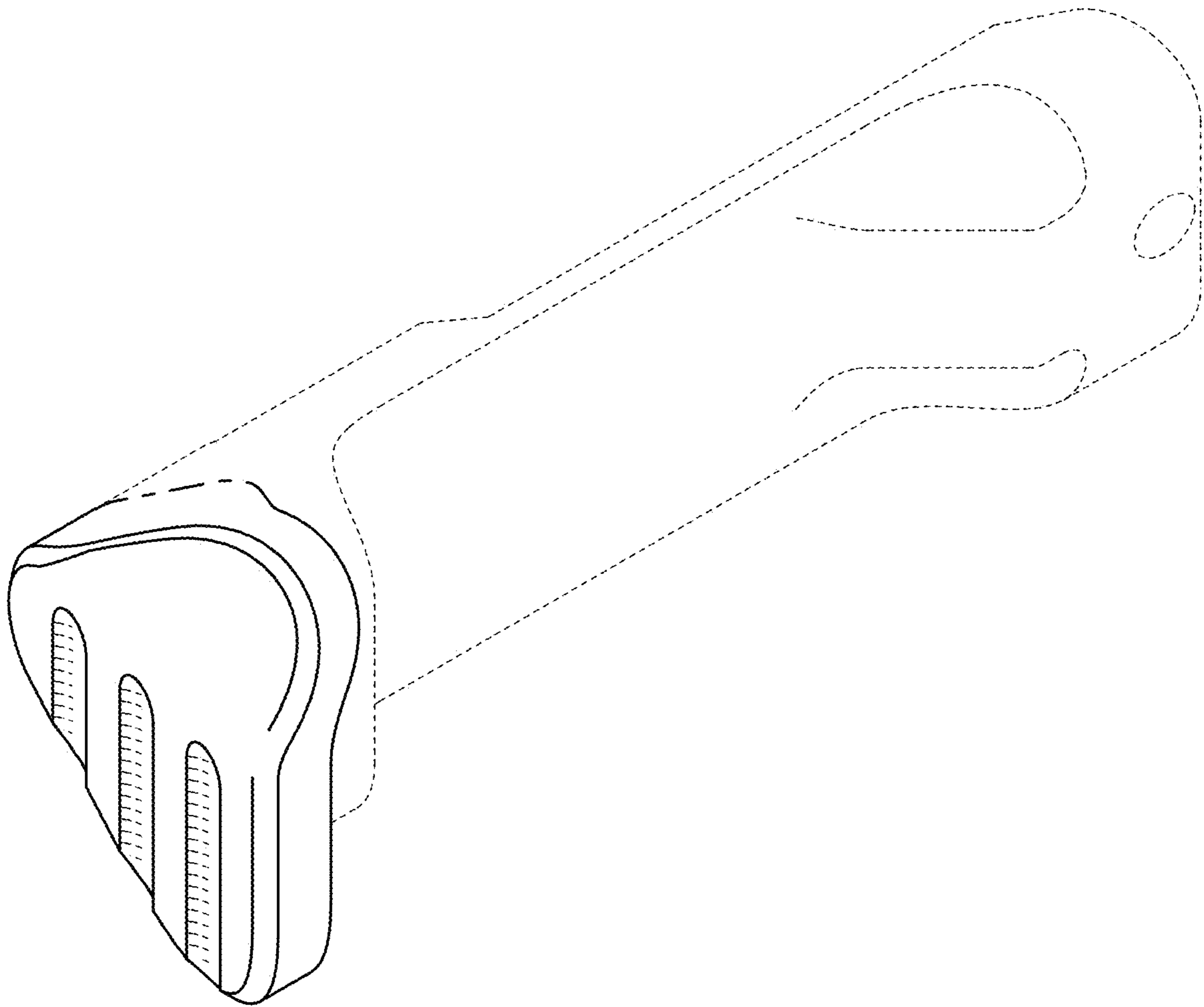


FIG. 7

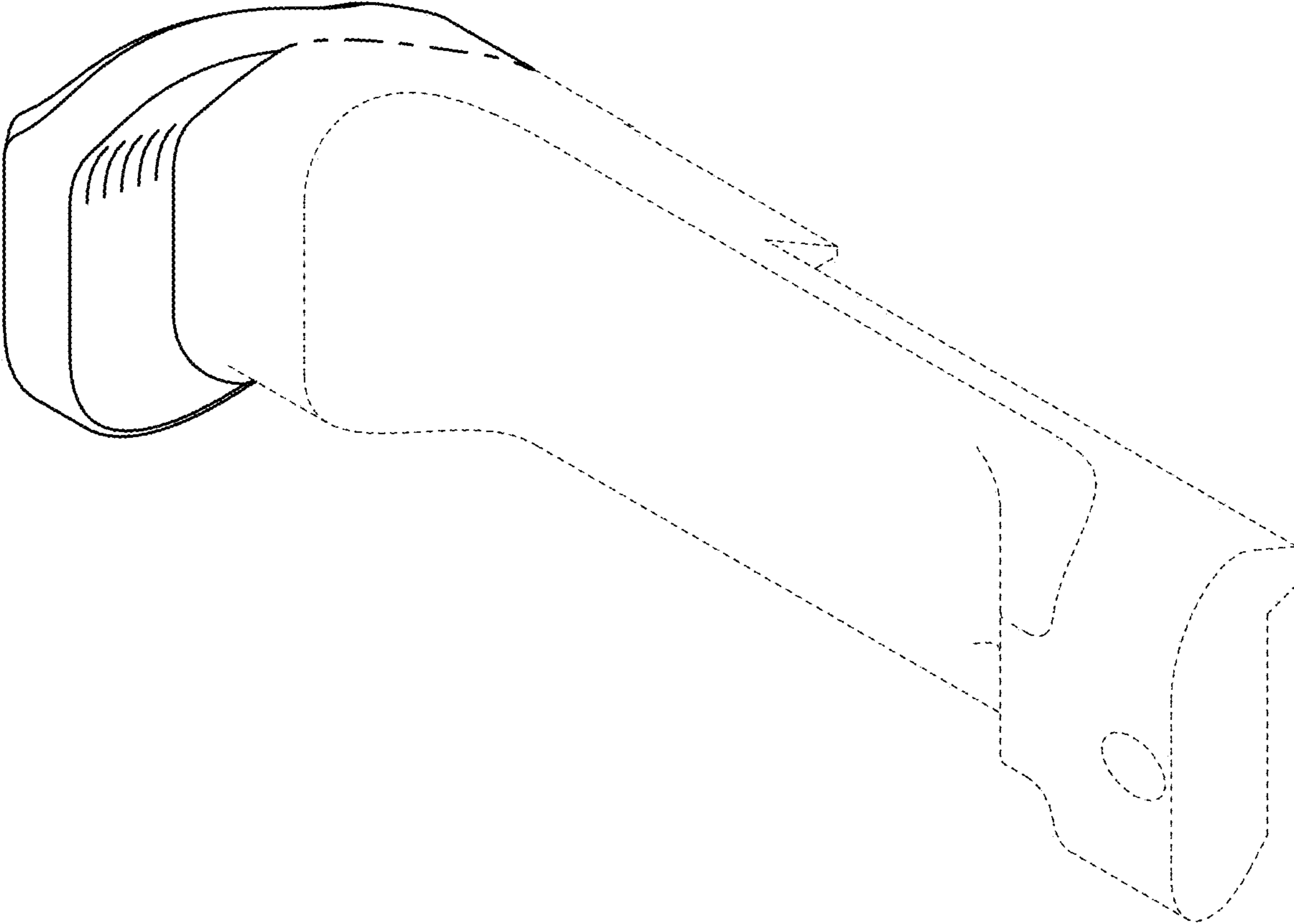


FIG. 8

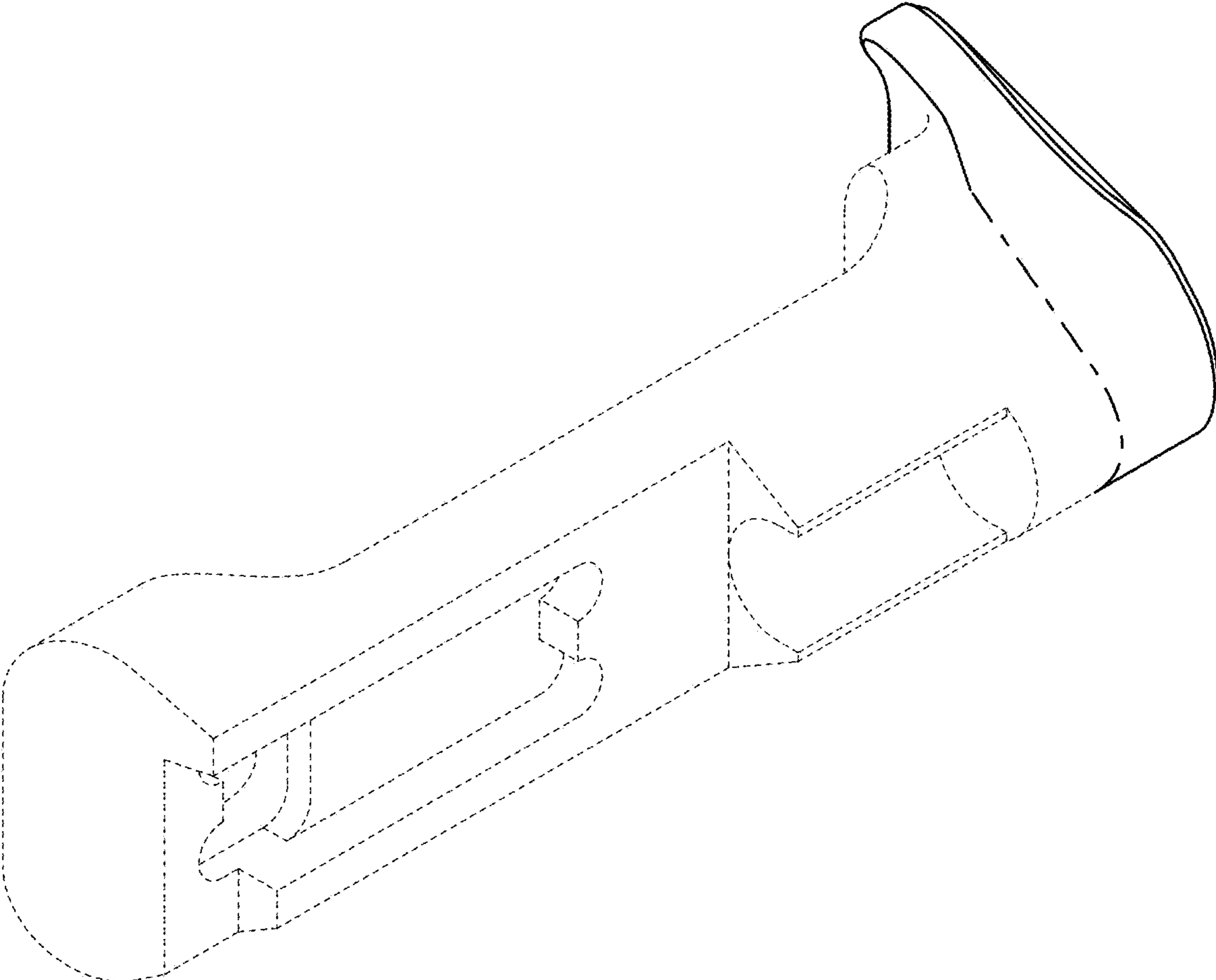


FIG. 9

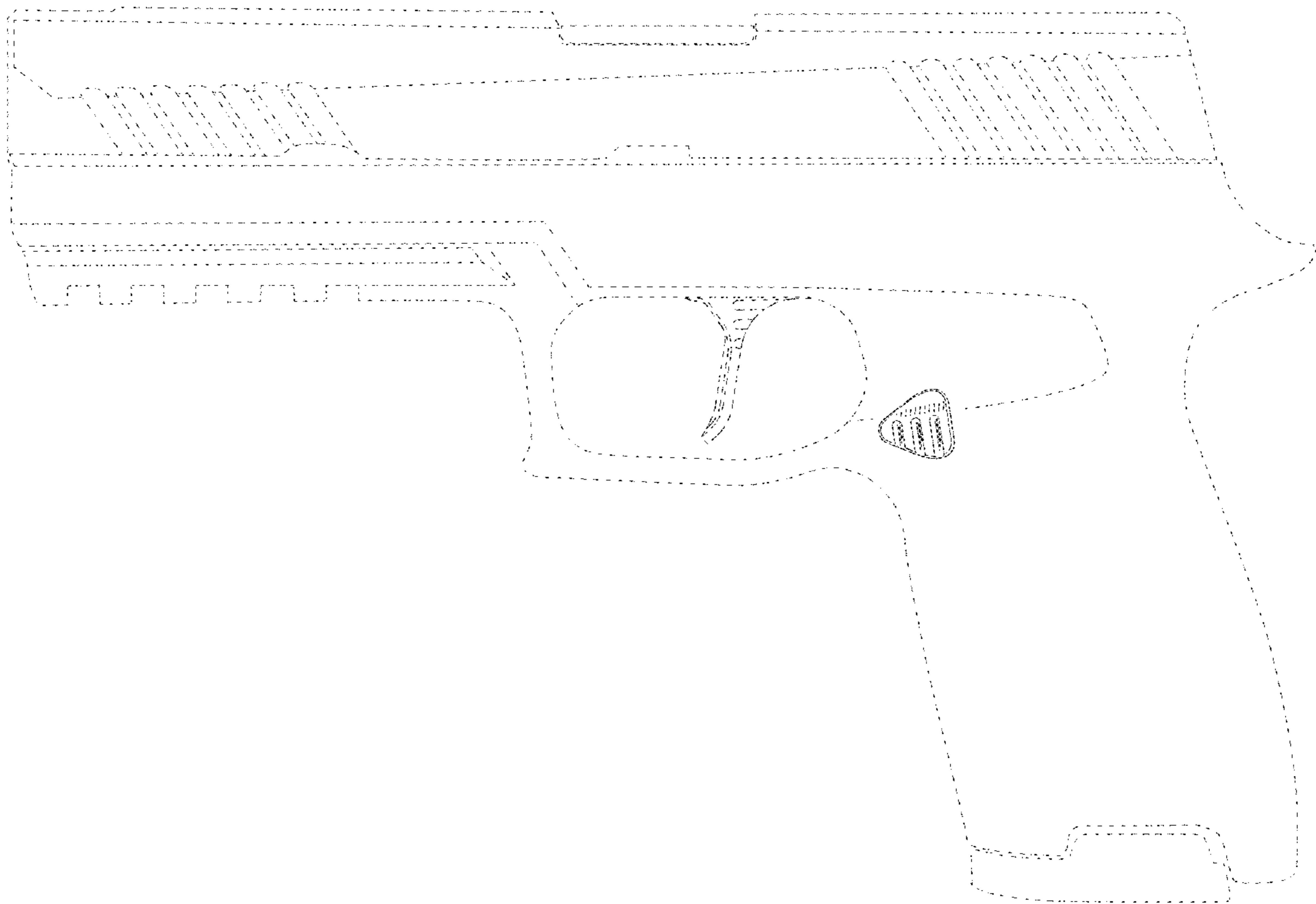


FIG. 10