



US00D900949S

(12) **United States Design Patent**  
**Deng et al.**

(10) **Patent No.:** **US D900,949 S**  
(45) **Date of Patent:** **\*\* Nov. 3, 2020**

(54) **SMART GRIP**

(71) Applicant: **Armaments Research Company LLC**,  
Washington, DC (US)

(72) Inventors: **William Deng**, Seattle, WA (US);  
**Michael Canty**, Bethesda, MD (US)

(73) Assignee: **Armaments Research Company Inc.**,  
Bethesda, MD (US)

(\*\*) Term: **15 Years**

(21) Appl. No.: **29/666,503**

(22) Filed: **Oct. 12, 2018**

**Related U.S. Application Data**

(63) Continuation-in-part of application No. 15/881,728,  
filed on Jan. 27, 2018, which is a continuation-in-part  
(Continued)

(51) **LOC (12) Cl.** ..... **22-01**

(52) **U.S. Cl.**  
USPC ..... **D22/108**

(58) **Field of Classification Search**  
USPC ..... D22/108  
(Continued)

(56) **References Cited**

**U.S. PATENT DOCUMENTS**

D302,289 S \* 7/1989 Lambert ..... D22/108  
D344,124 S \* 2/1994 Cupp ..... D22/104  
(Continued)

*Primary Examiner* — Michael A. Pratt

(74) *Attorney, Agent, or Firm* — RMCK Law Group PLC

(57) **CLAIM**

The ornamental design for a smart grip, as shown and  
described.

**DESCRIPTION**

FIG. 1 is a top perspective view of a smart grip showing an  
example of our new design.

FIG. 2 is a bottom perspective view of the smart grip of FIG.  
1.

FIG. 3 is a right side view of the smart grip of FIG. 1.

FIG. 4 is a front side view of the smart grip of FIG. 1.

FIG. 5 is a left side view of the smart grip of FIG. 1.

FIG. 6 is a rear side view of the smart grip of FIG. 1.

FIG. 7 is a top view of the smart grip of FIG. 1.

FIG. 8 is a bottom view of the smart grip of FIG. 1.

FIG. 9 is a front perspective view of a smart grip showing  
an example of our new design.

FIG. 10 is a rear perspective view of the smart grip of FIG.  
9.

FIG. 11 is a right side view of the smart grip of FIG. 9.

FIG. 12 is a front side view of the smart grip of FIG. 9.

FIG. 13 is a left side view of the smart grip of FIG. 9.

FIG. 14 is a rear side view of the smart grip of FIG. 9.

FIG. 15 is a top view of the smart grip of FIG. 9.

FIG. 16 is a bottom view of the smart grip of FIG. 9.

FIG. 17 is a top perspective view of a portion of a smart grip  
showing an example of our new design.

FIG. 18 is a bottom perspective view of the portion of the  
smart grip of FIG. 17.

FIG. 19 is a right side view of the portion of the smart grip  
of FIG. 17.

FIG. 20 is a front side view of the portion of the smart grip  
of FIG. 17.

FIG. 21 is a left side view of the portion of the smart grip  
of FIG. 17.

FIG. 22 is rear side view of the portion of the smart grip of  
FIG. 17.

FIG. 23 is a bottom view of the portion of the smart grip of  
FIG. 17.

FIG. 24 is a top view of the portion of the smart grip of FIG.  
17.

FIG. 25 is a top perspective view of a portion of a smart grip  
showing an example of our new design.

FIG. 26 is a bottom perspective view of the portion of the  
smart grip of FIG. 25.

FIG. 27 is a left side view of the portion of the smart grip  
of FIG. 25.

FIG. 28 is a rear view of the portion of the smart grip of FIG.  
25.

FIG. 29 is a right side view of the portion of the smart grip  
of FIG. 25.

(Continued)

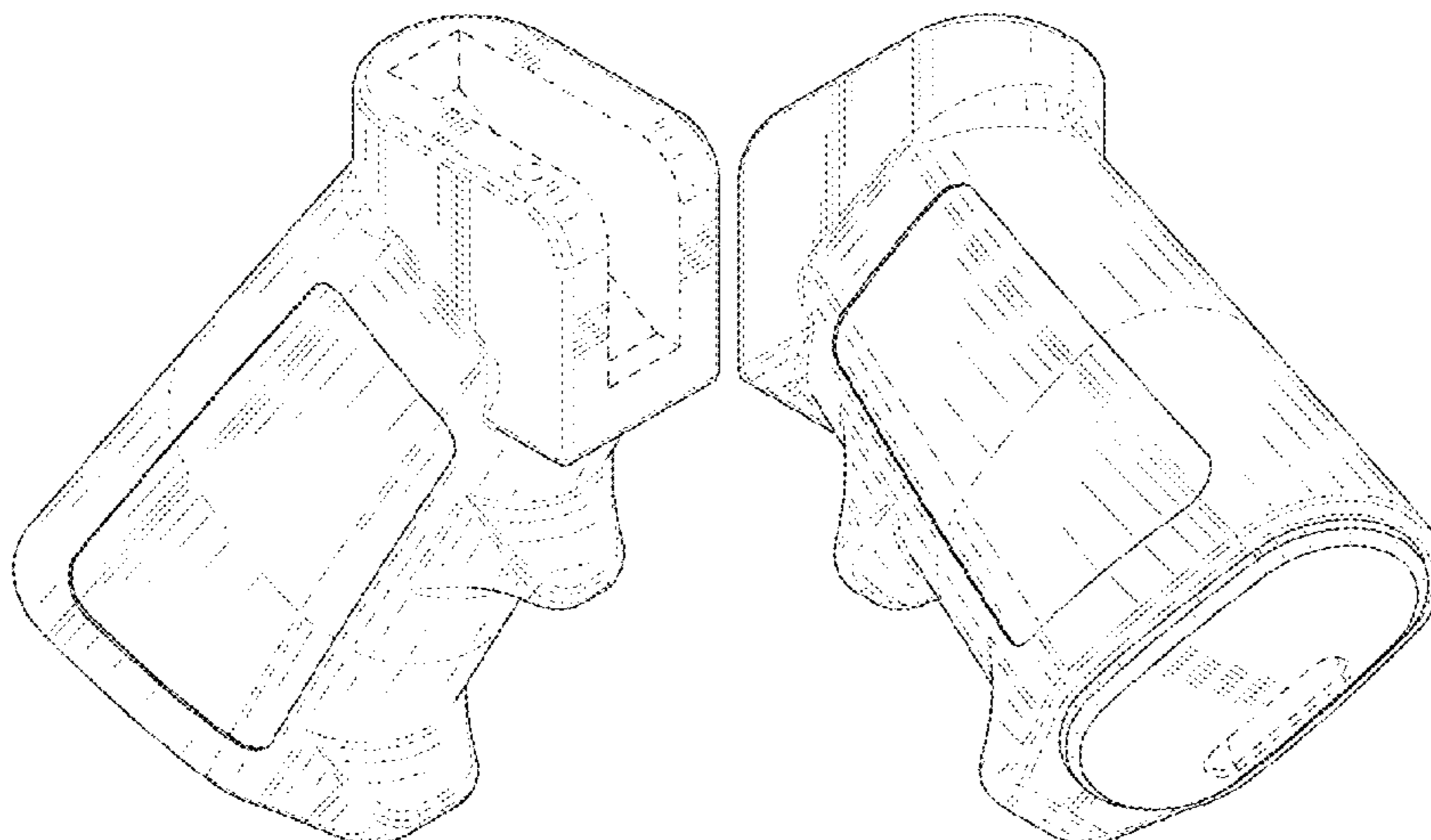


FIG. 30 is a front side view of the portion of the smart grip of FIG. 25.  
FIG. 31 is a bottom view of the portion of the smart grip of FIG. 25; and,  
FIG. 32 is a top view of the portion of the smart grip of FIG. 25.

**1 Claim, 16 Drawing Sheets**

**Related U.S. Application Data**

of application No. 14/666,008, filed on Mar. 23, 2015.

(58) **Field of Classification Search**

CPC ..... F41C 23/10; F41C 23/14; F41C 23/16;  
F41C 23/18; F41A 17/06

See application file for complete search history.

(56)

**References Cited**

U.S. PATENT DOCUMENTS

6,981,344	B2 *	1/2006	Cahill .....	F41C 23/10 42/71.01
D726,861	S *	4/2015	Siddle .....	D22/108
D735,832	S *	8/2015	Fitzpatrick .....	D22/108
D769,398	S *	10/2016	Lam .....	D22/108
D769,399	S *	10/2016	Lam .....	D22/108
D792,935	S *	7/2017	Ward, Jr. ....	D22/108
D821,529	S *	6/2018	Cheng .....	D22/108
D830,490	S *	10/2018	Toole .....	D22/108
2014/0144057	A1 *	5/2014	Brunner .....	F41A 17/06 42/70.08
2016/0084601	A1 *	3/2016	Alicea, Jr. ....	F41A 17/20 42/6
2020/0025488	A1 *	1/2020	Alicea, Jr. ....	F41A 19/59

\* cited by examiner

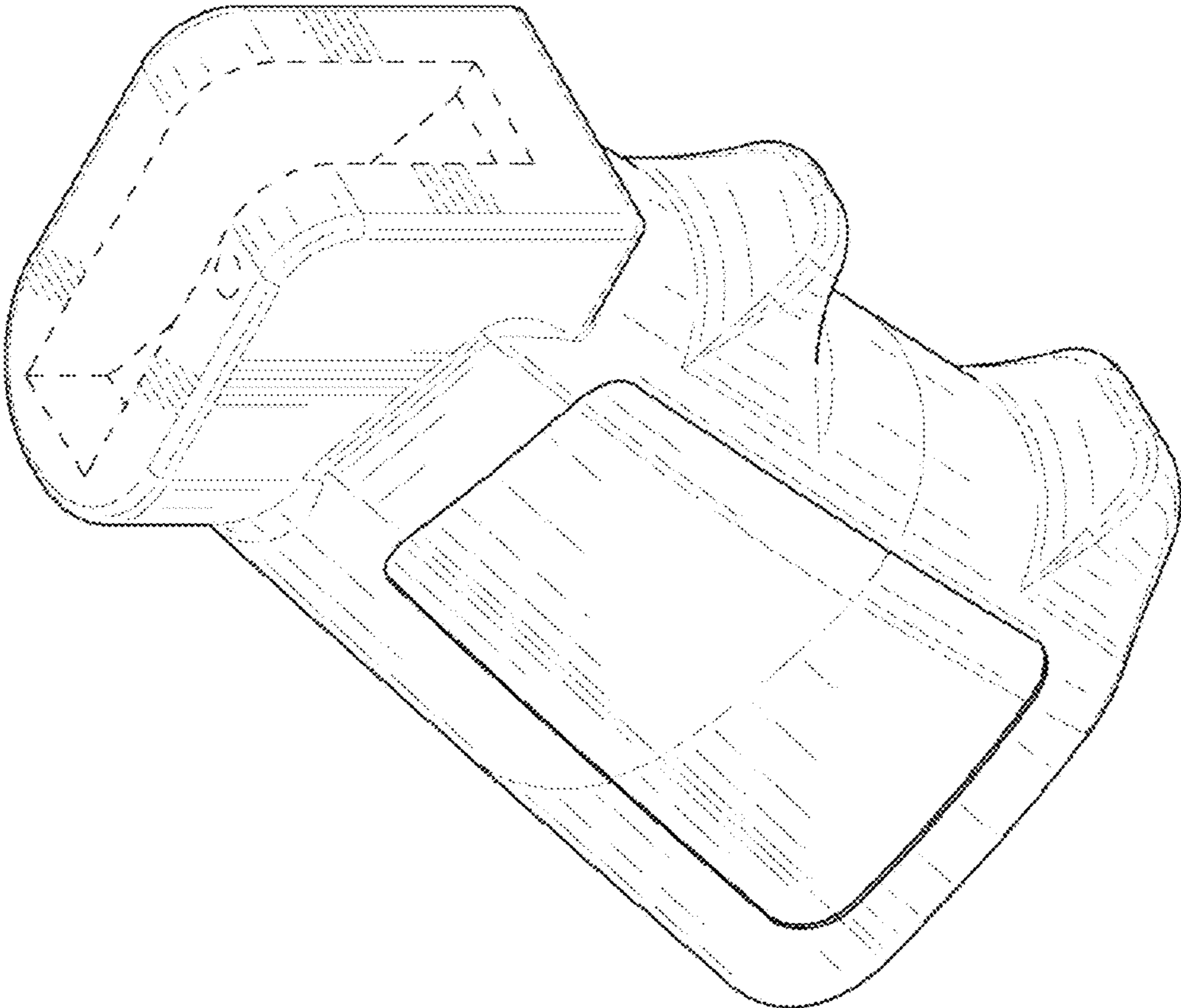


FIG. 1

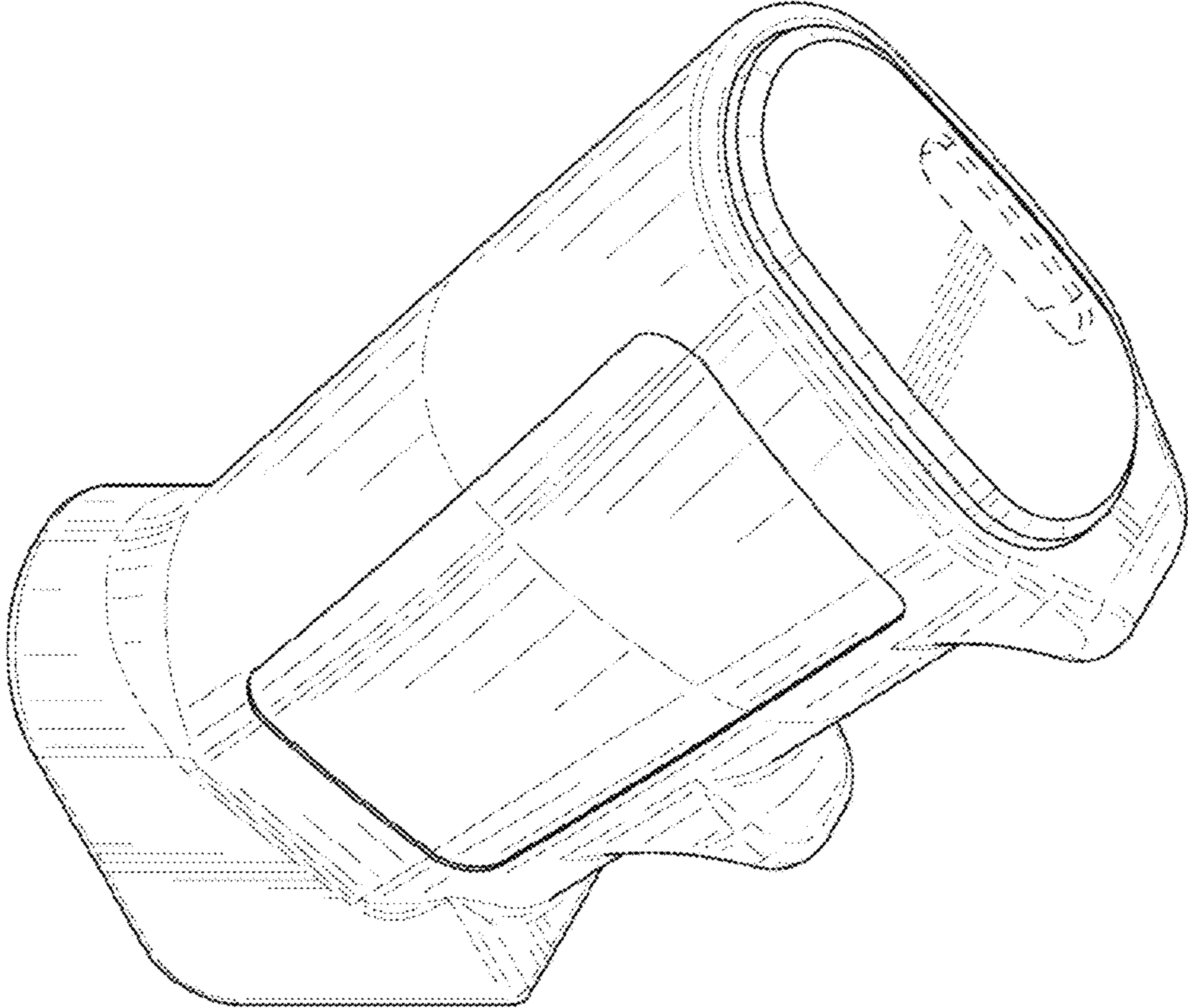


FIG. 2

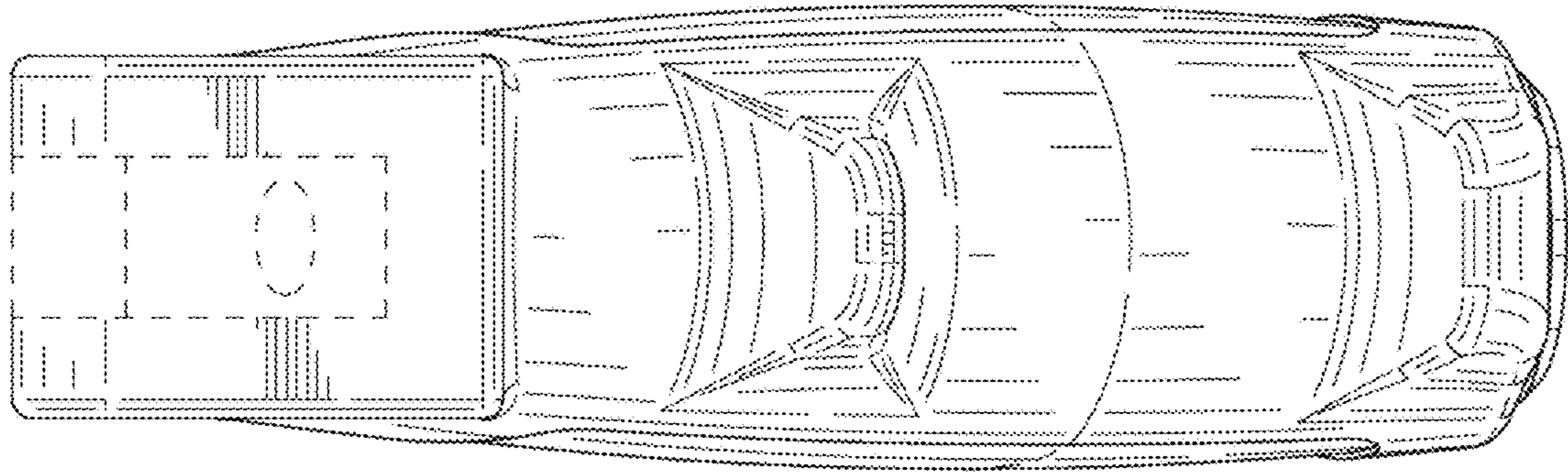


FIG. 4

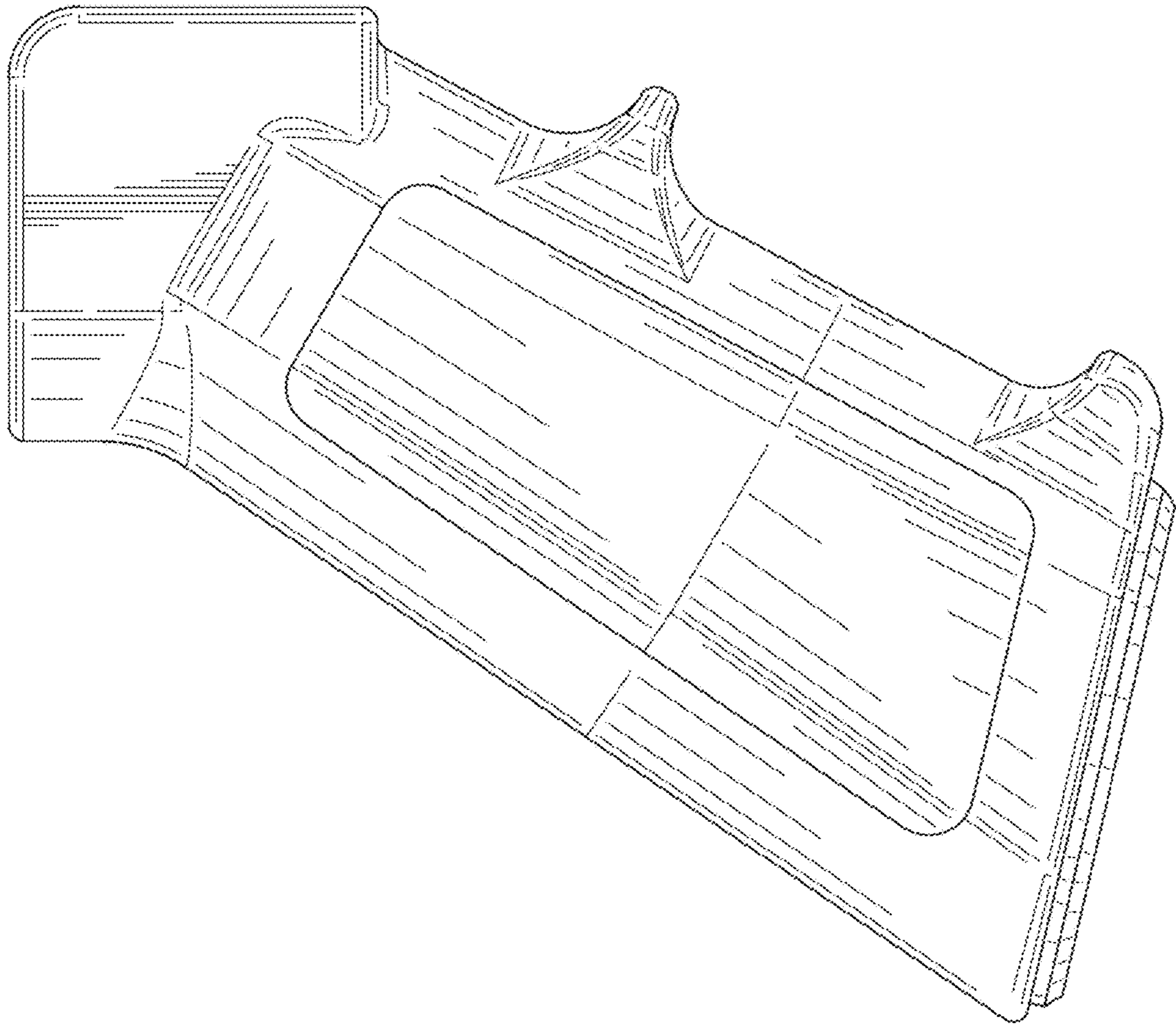


FIG. 3

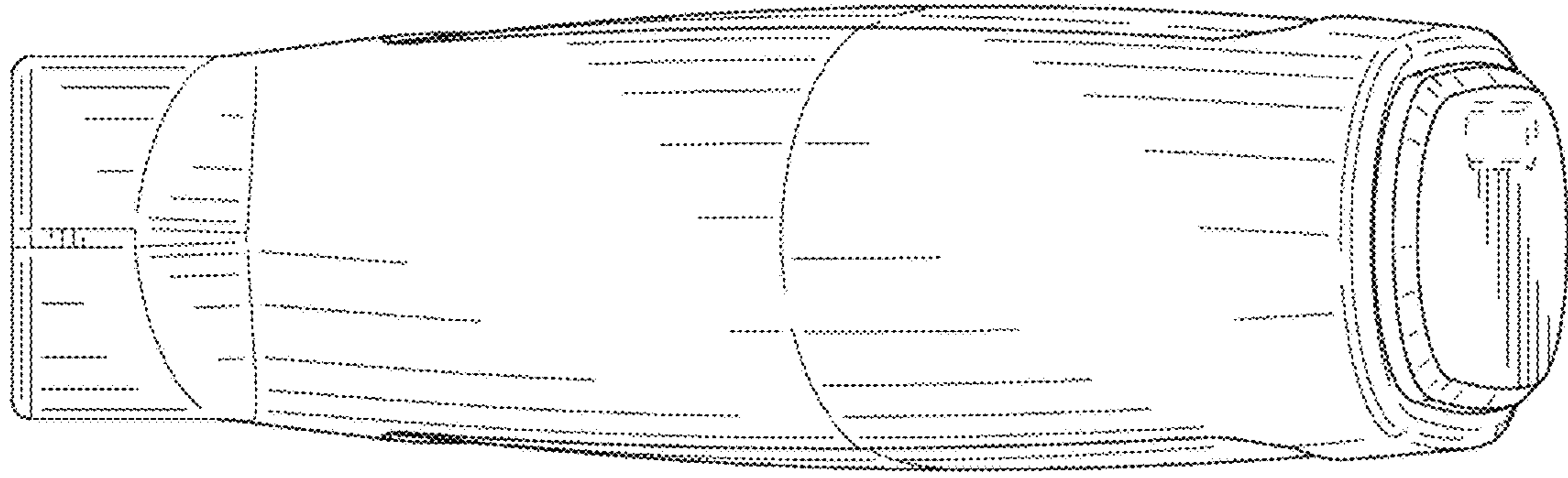


FIG. 6

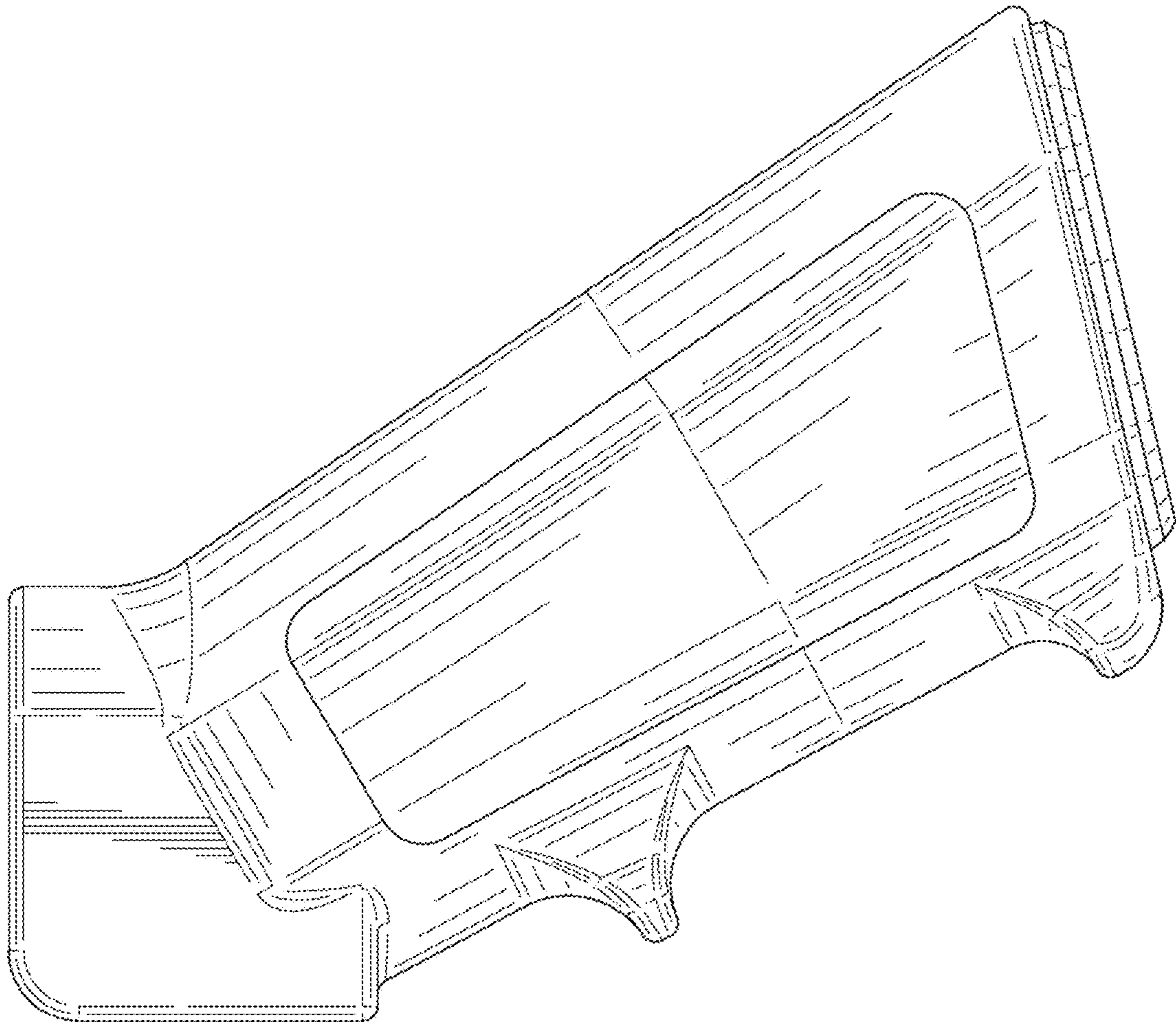


FIG. 5

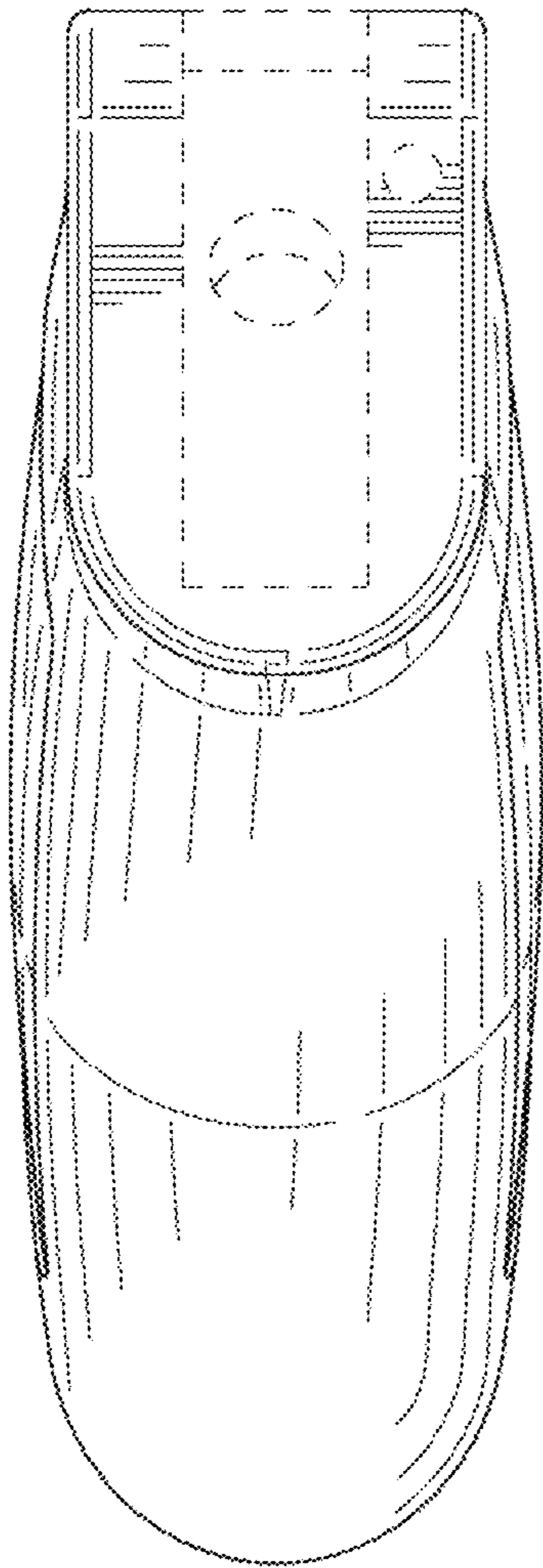


FIG. 7

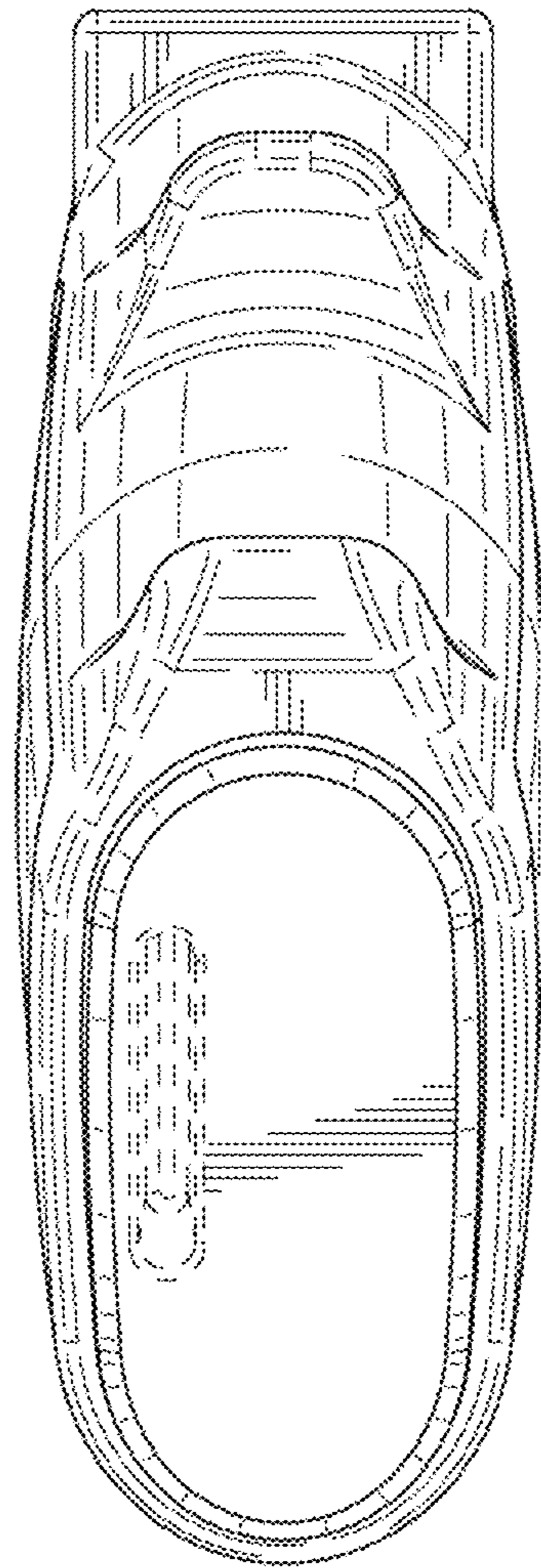


FIG. 8

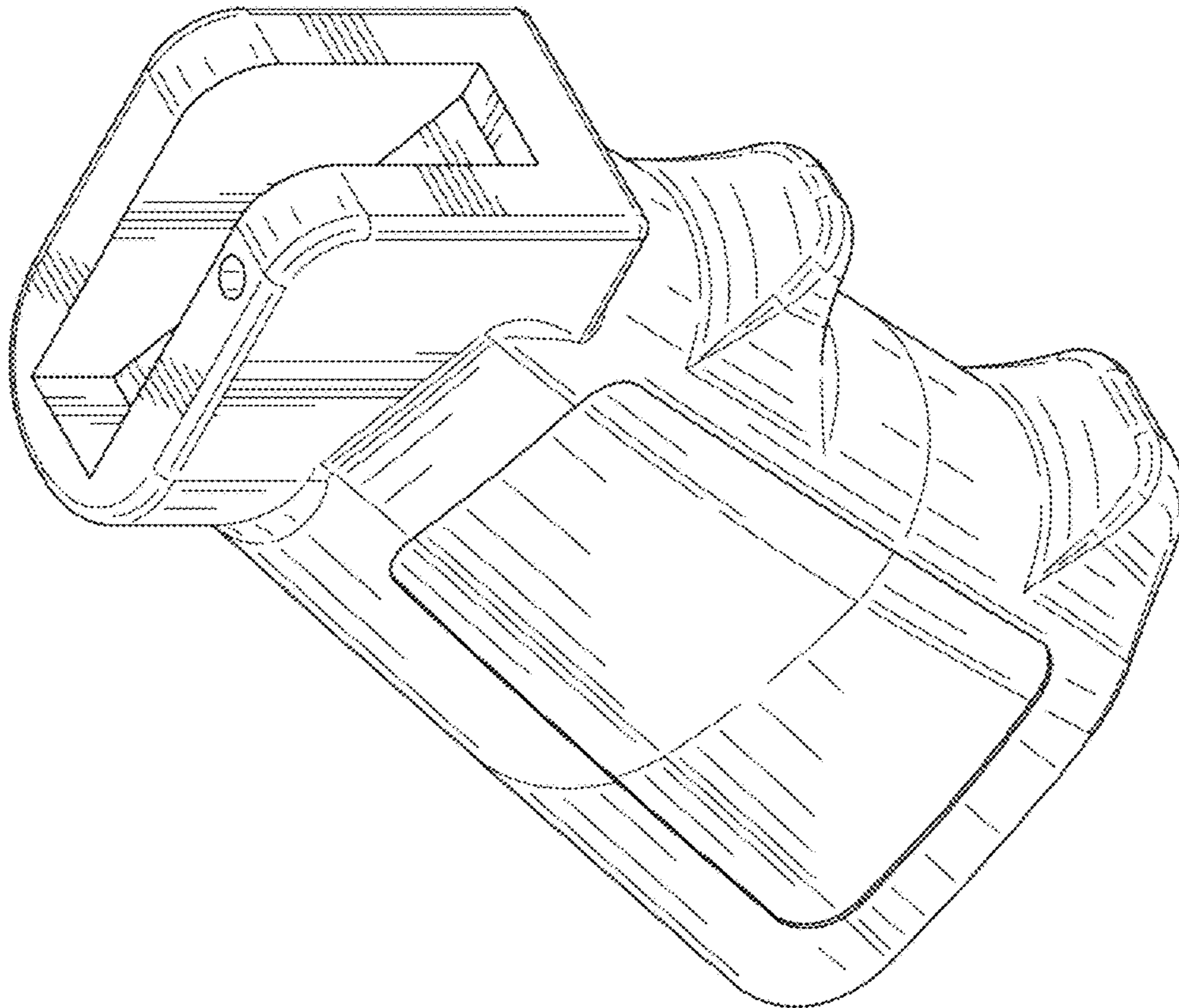


FIG. 9

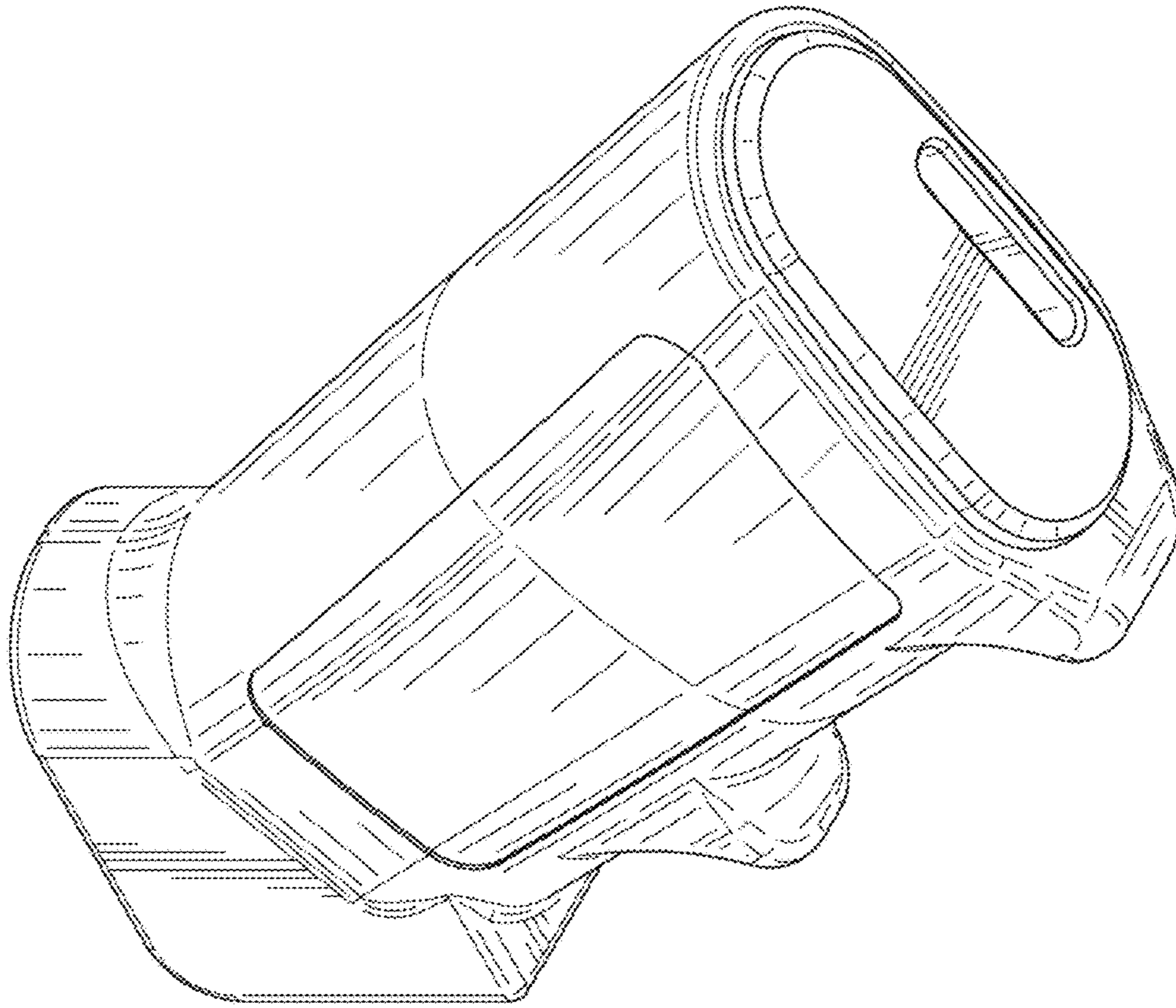


FIG. 10

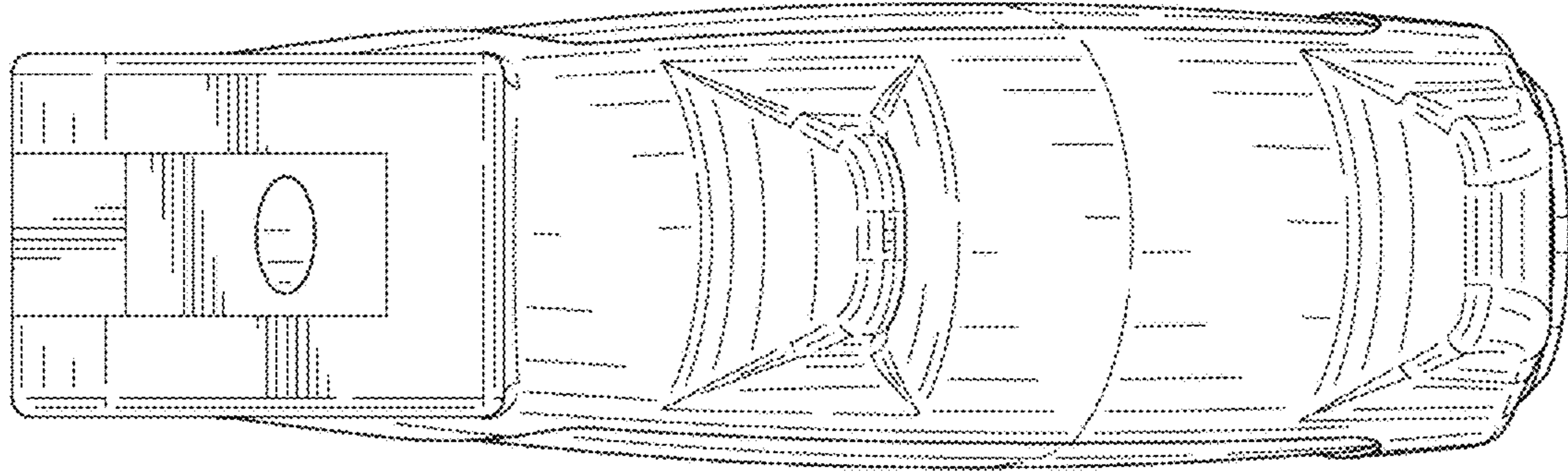


FIG. 12

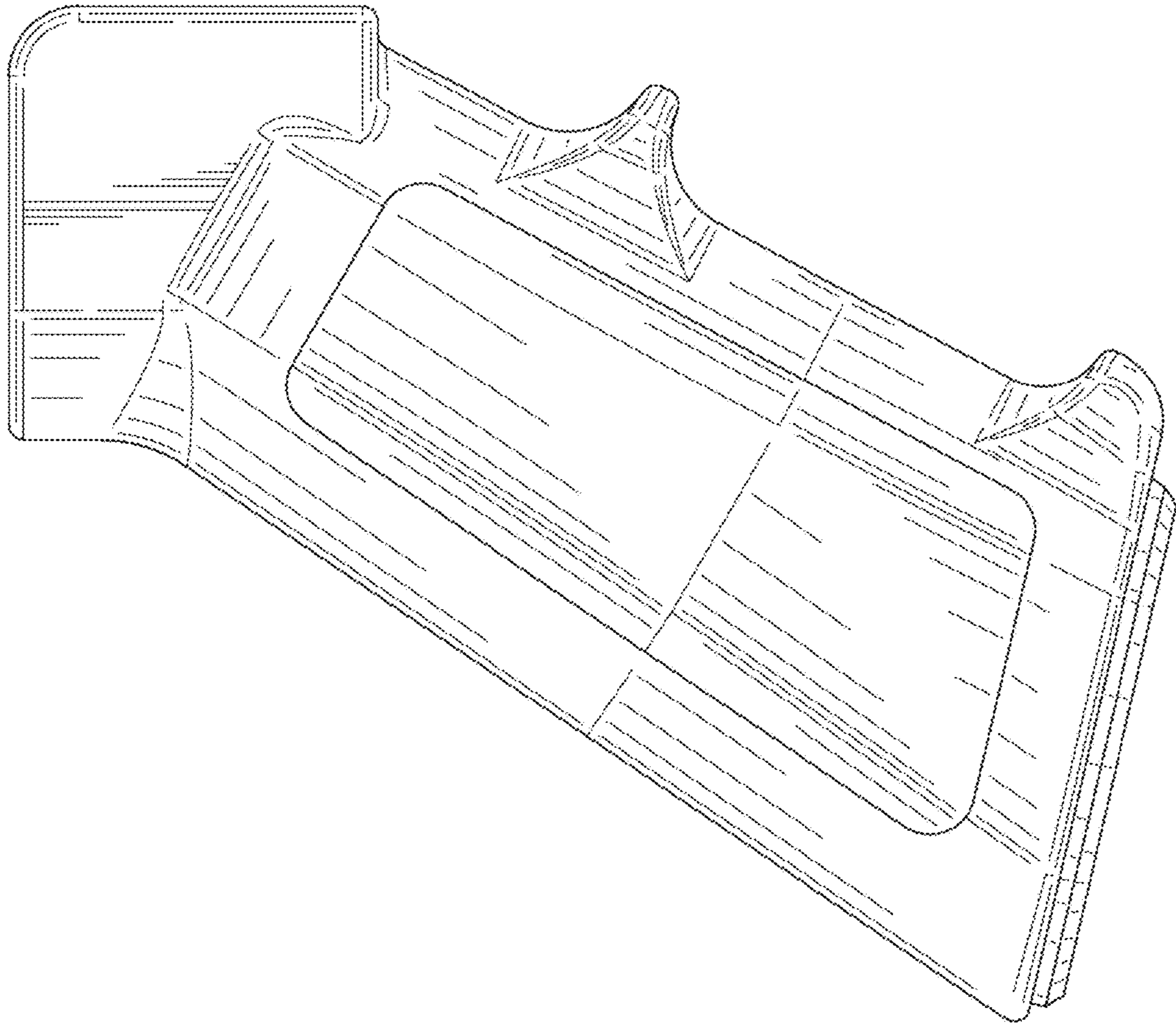


FIG. 11



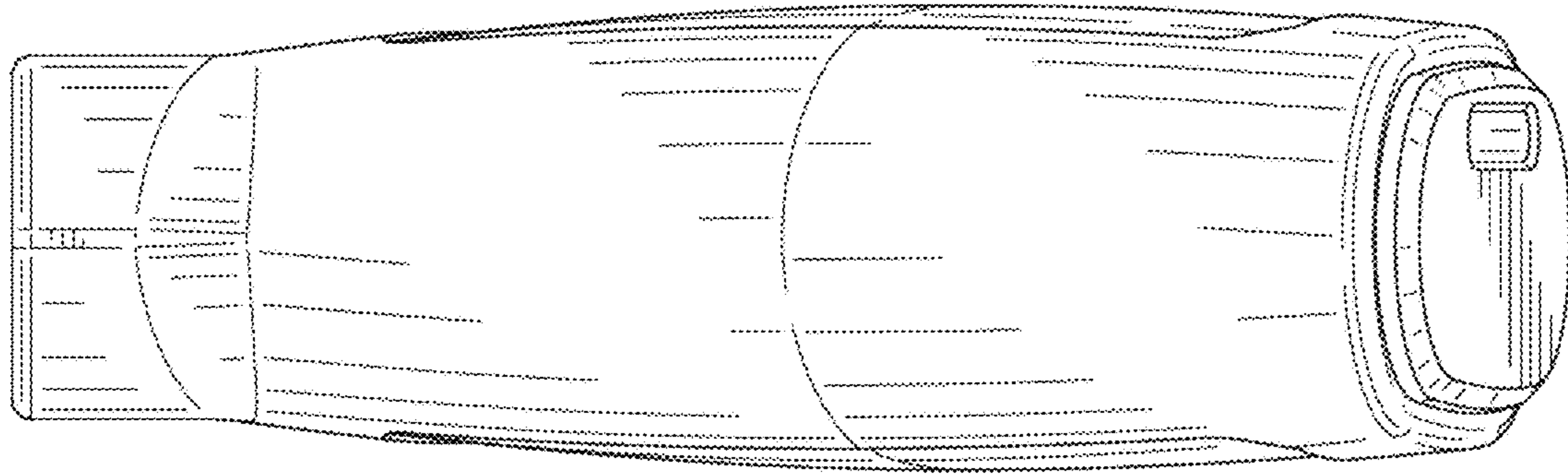


FIG. 14

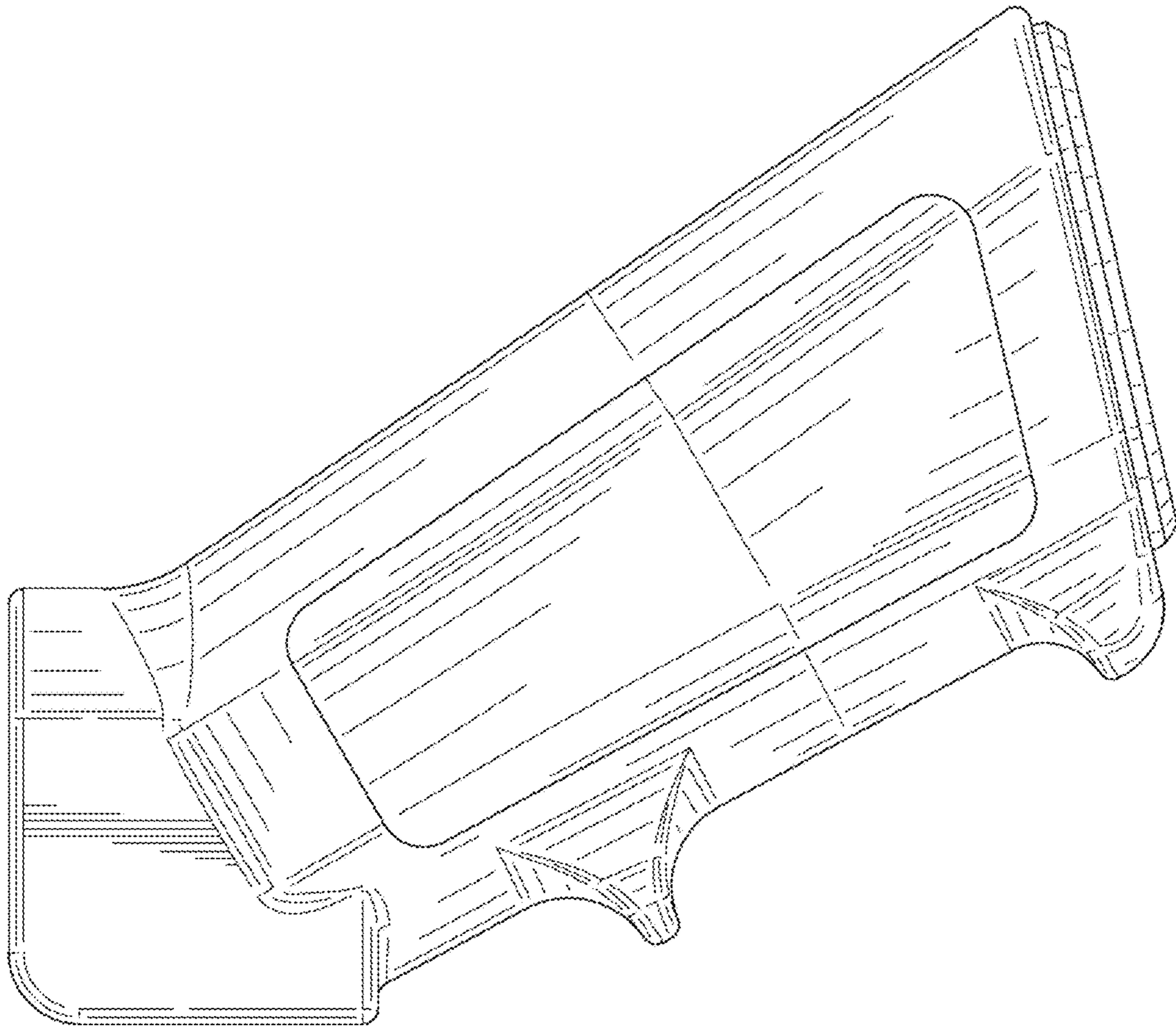


FIG. 13

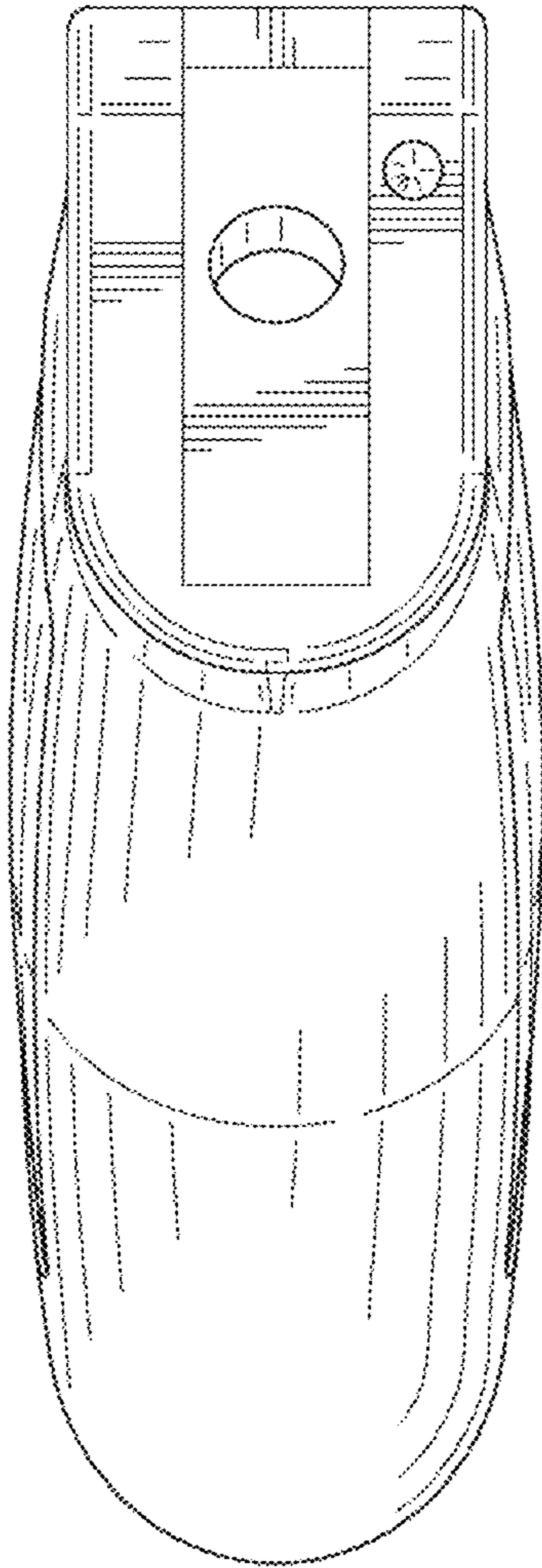


FIG. 15

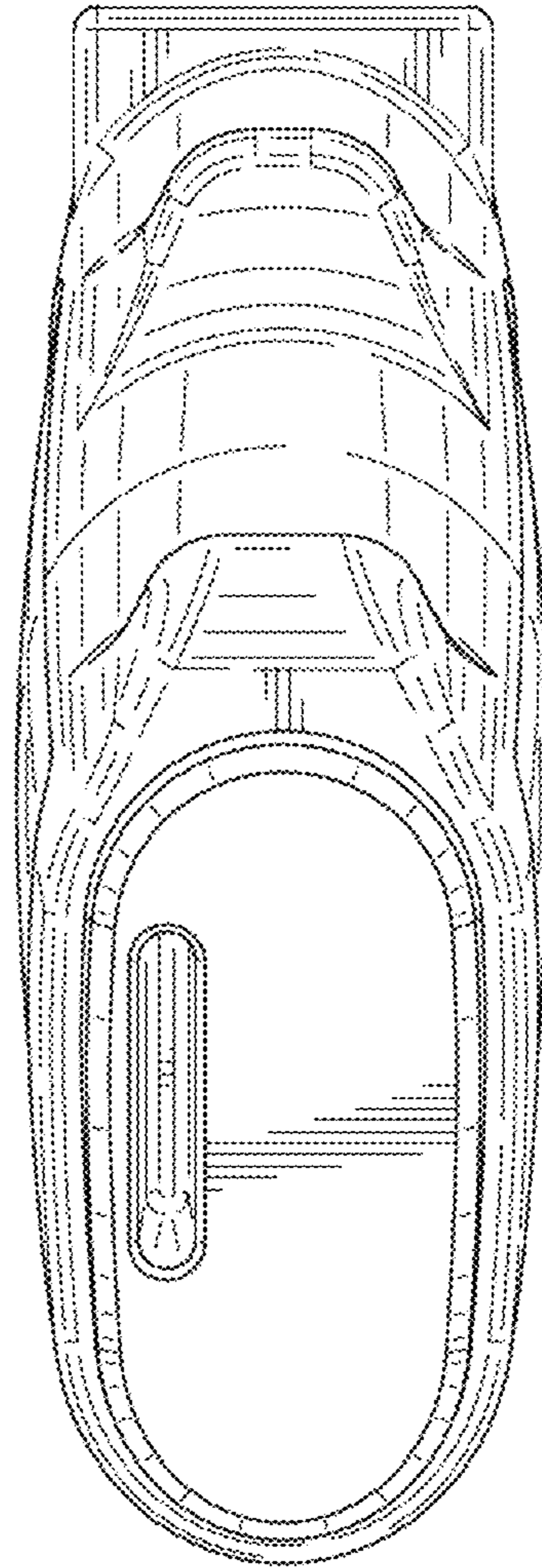


FIG. 16

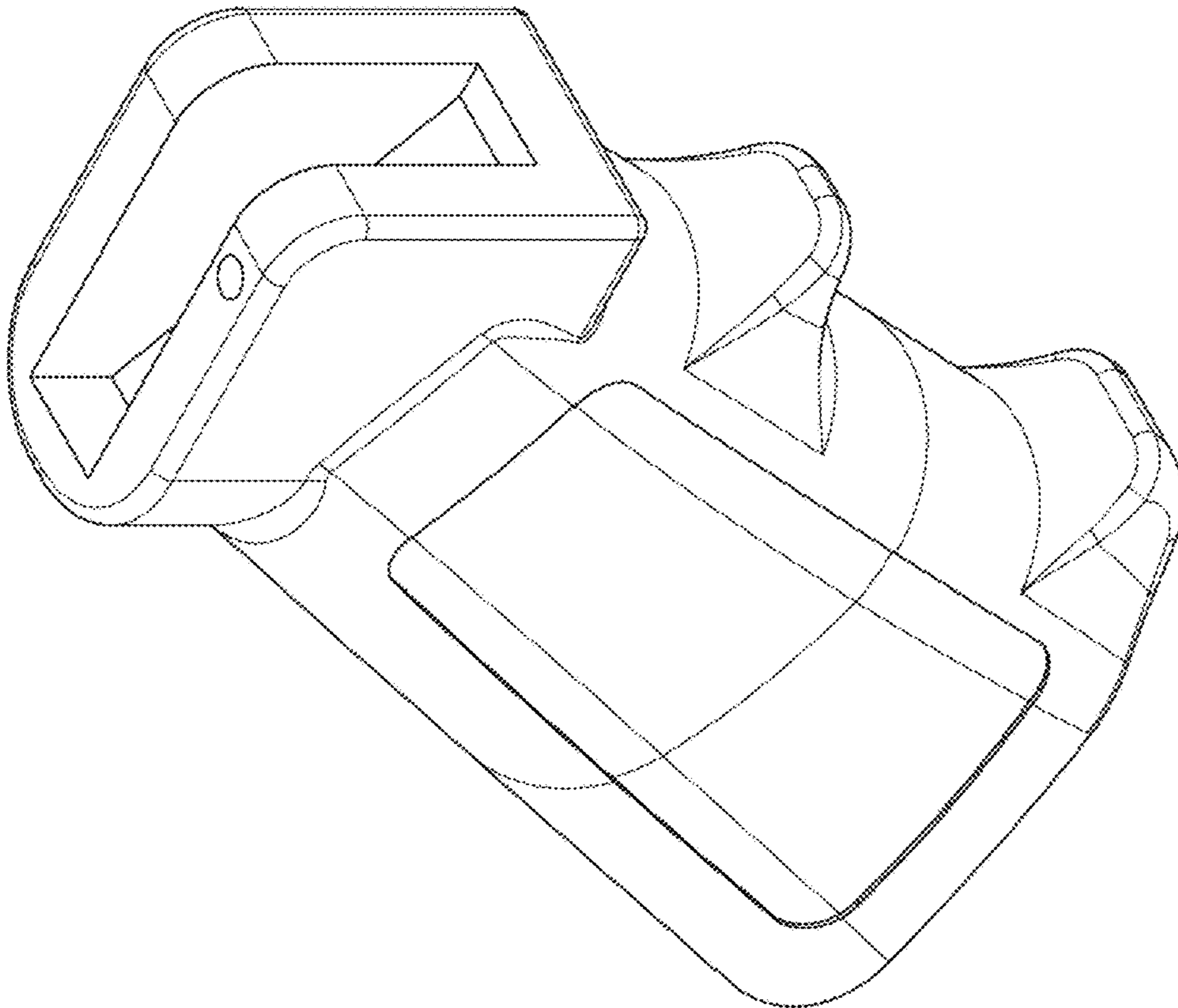


FIG. 17

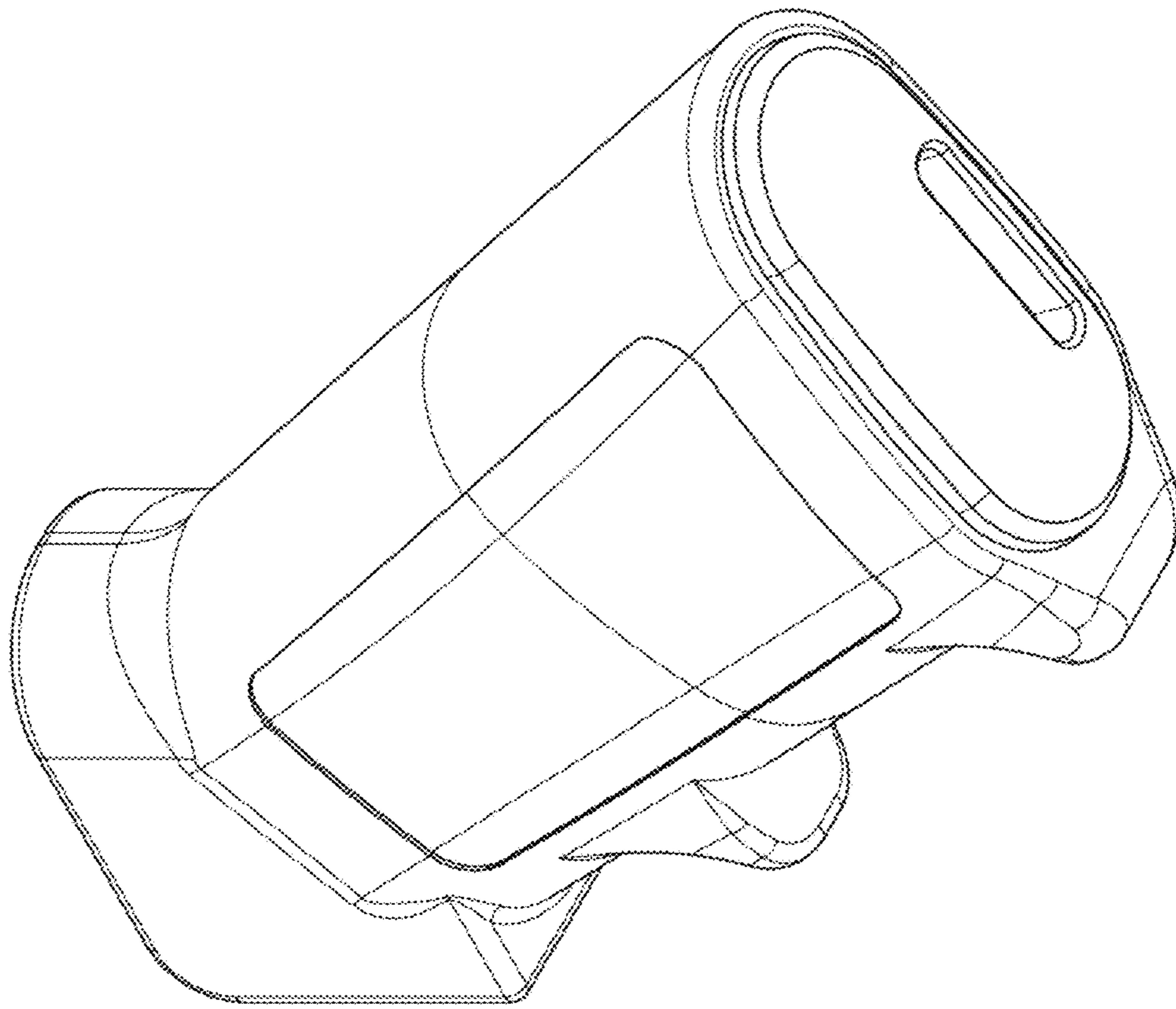


FIG. 18

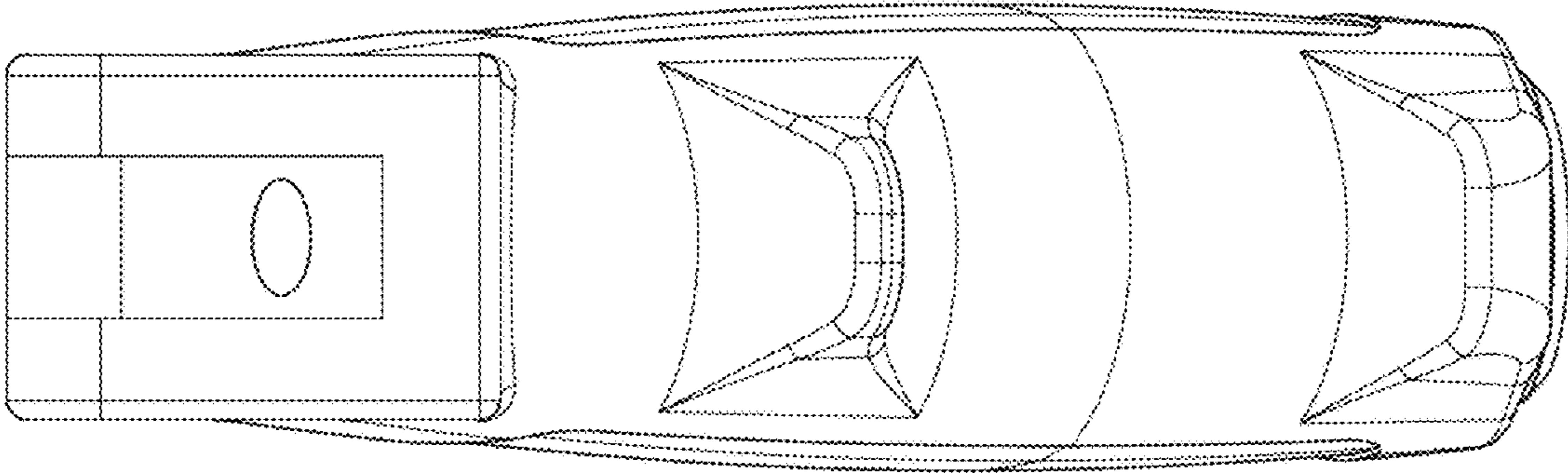


FIG. 20

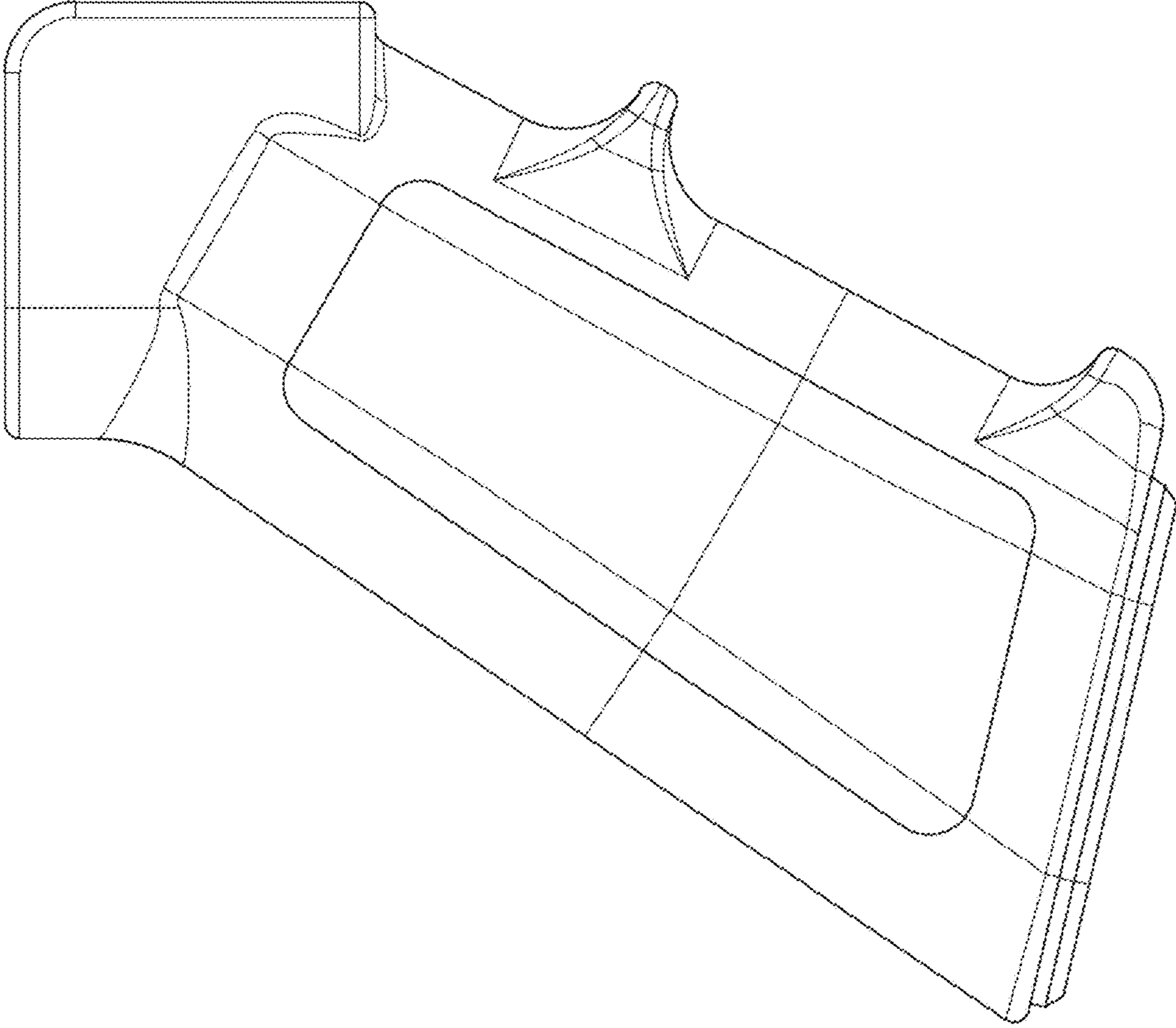


FIG. 19

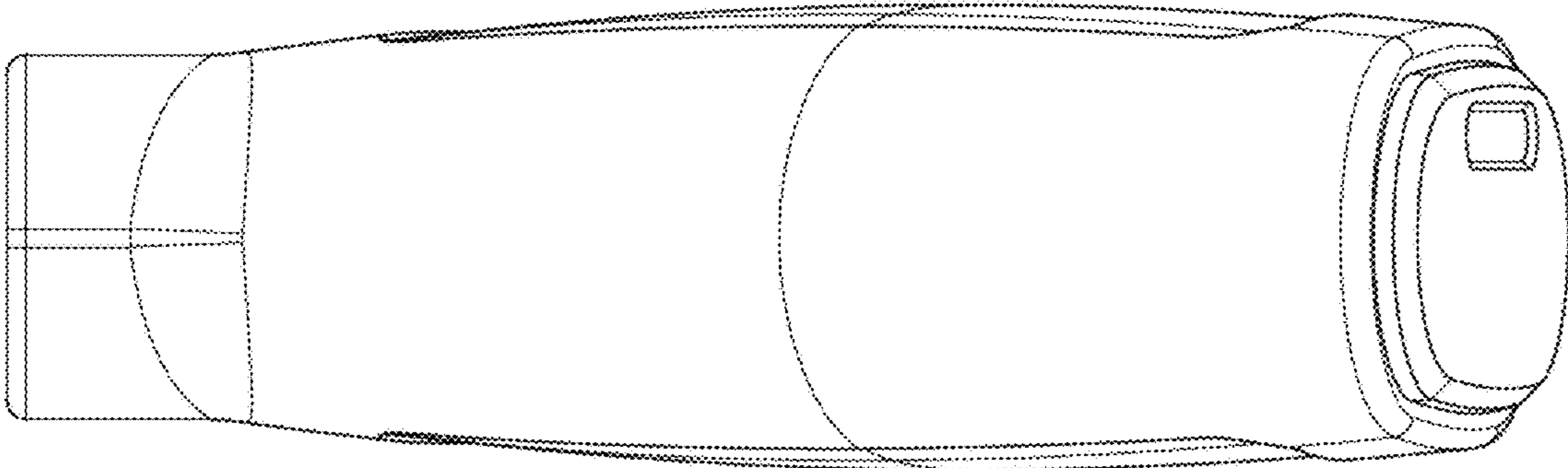


FIG. 22

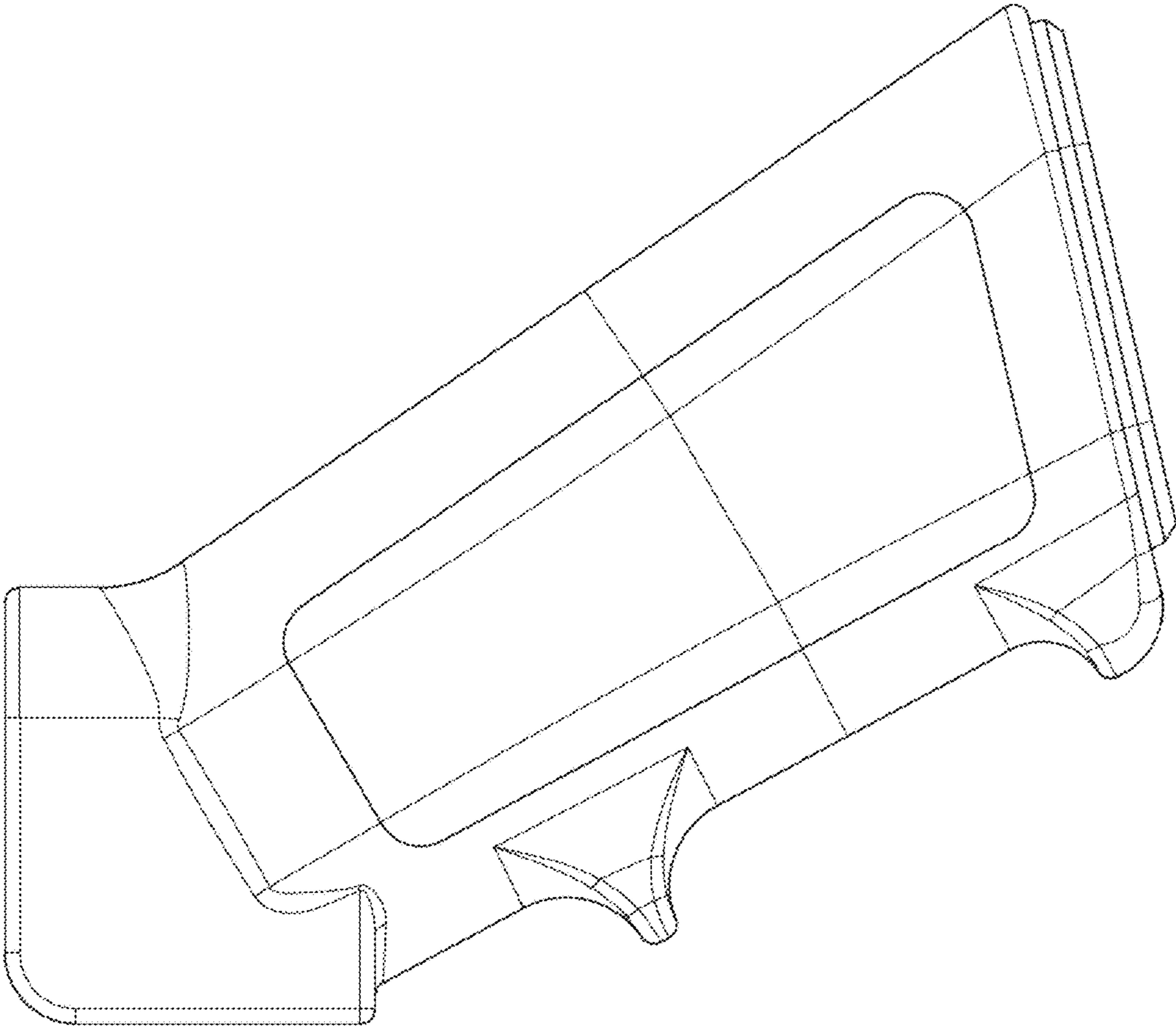


FIG. 21

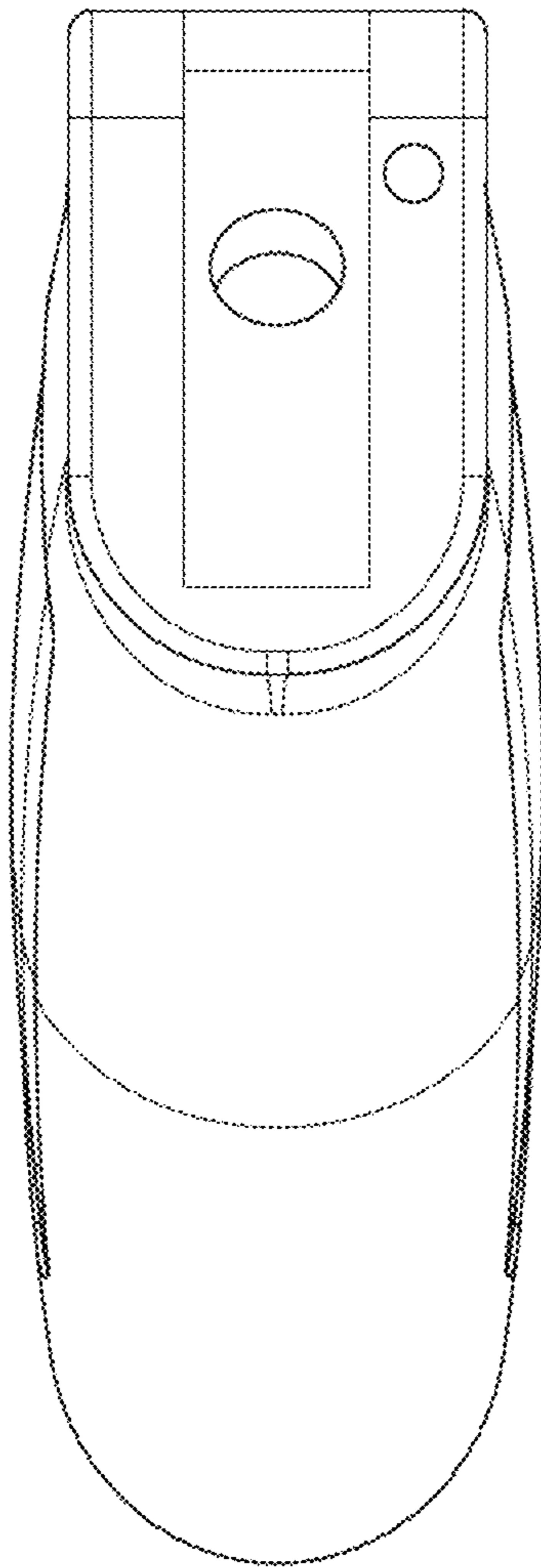


FIG. 23

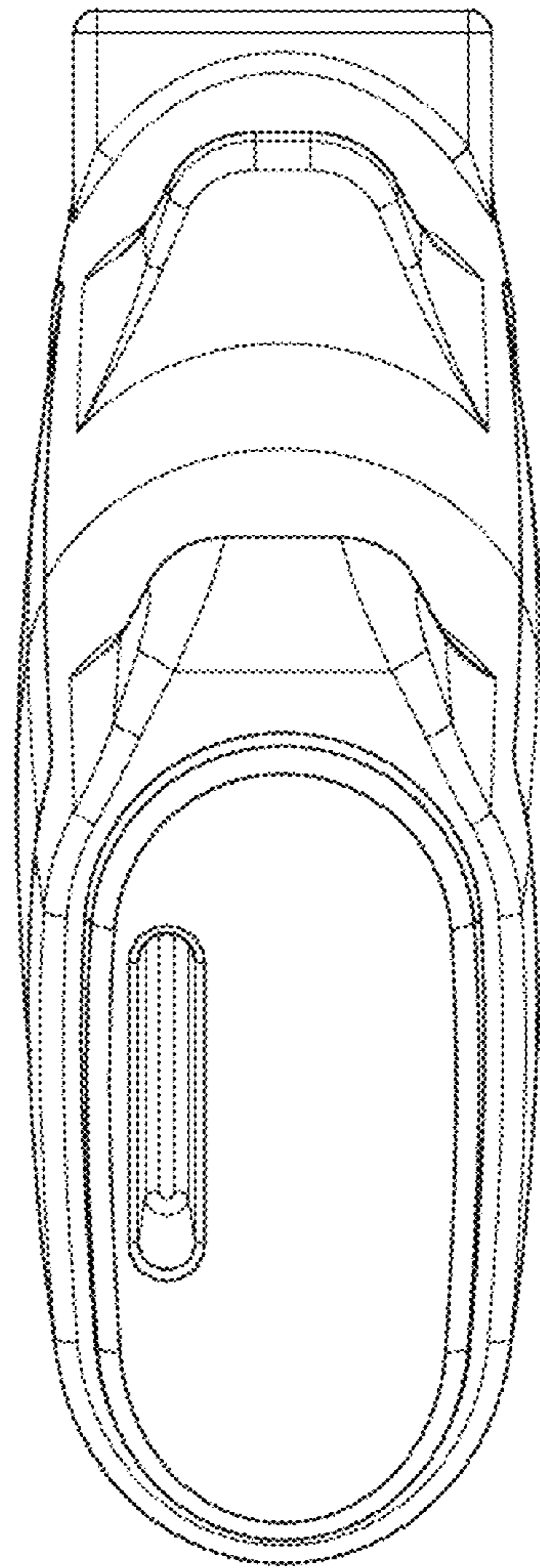


FIG. 24

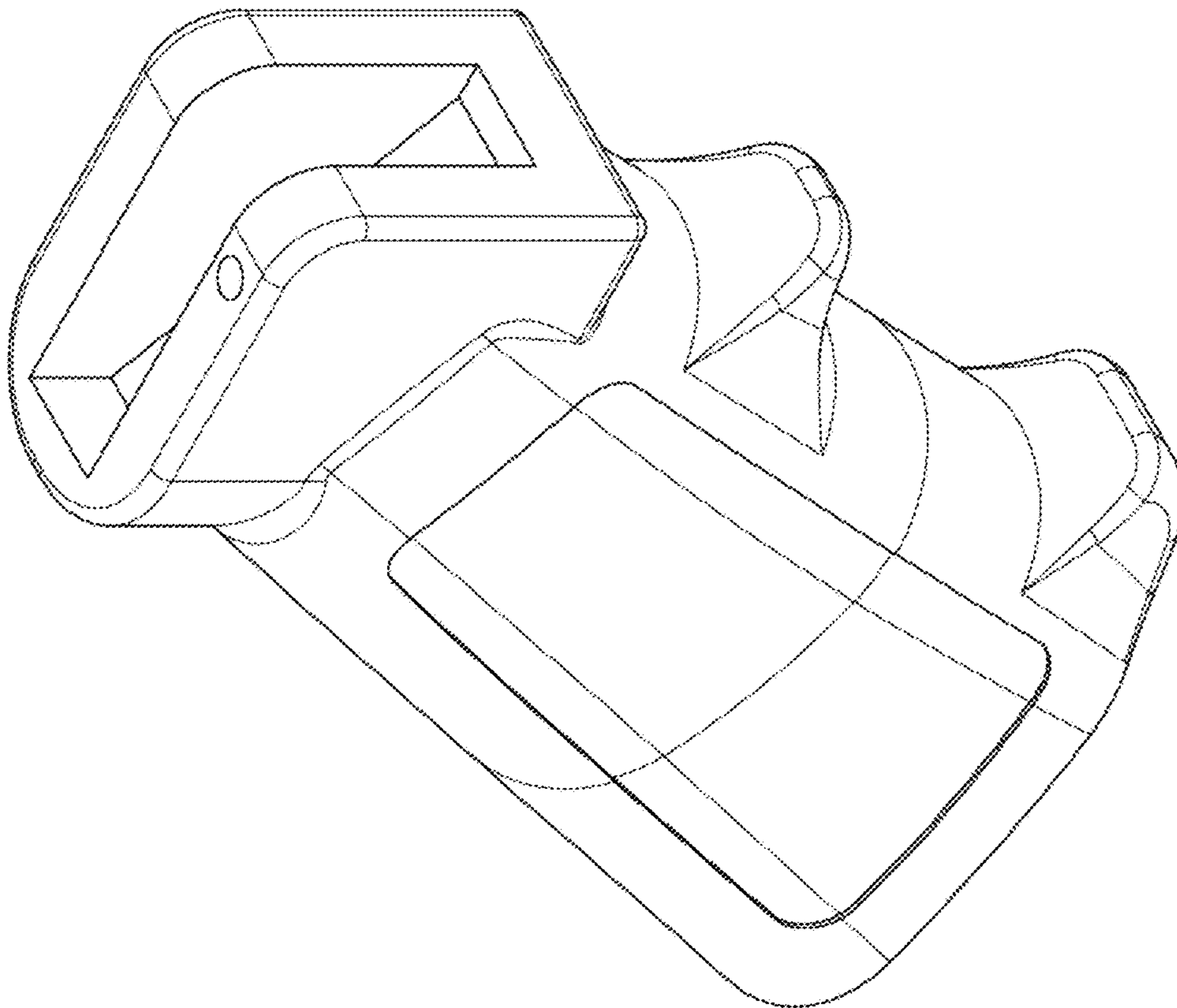


FIG. 25

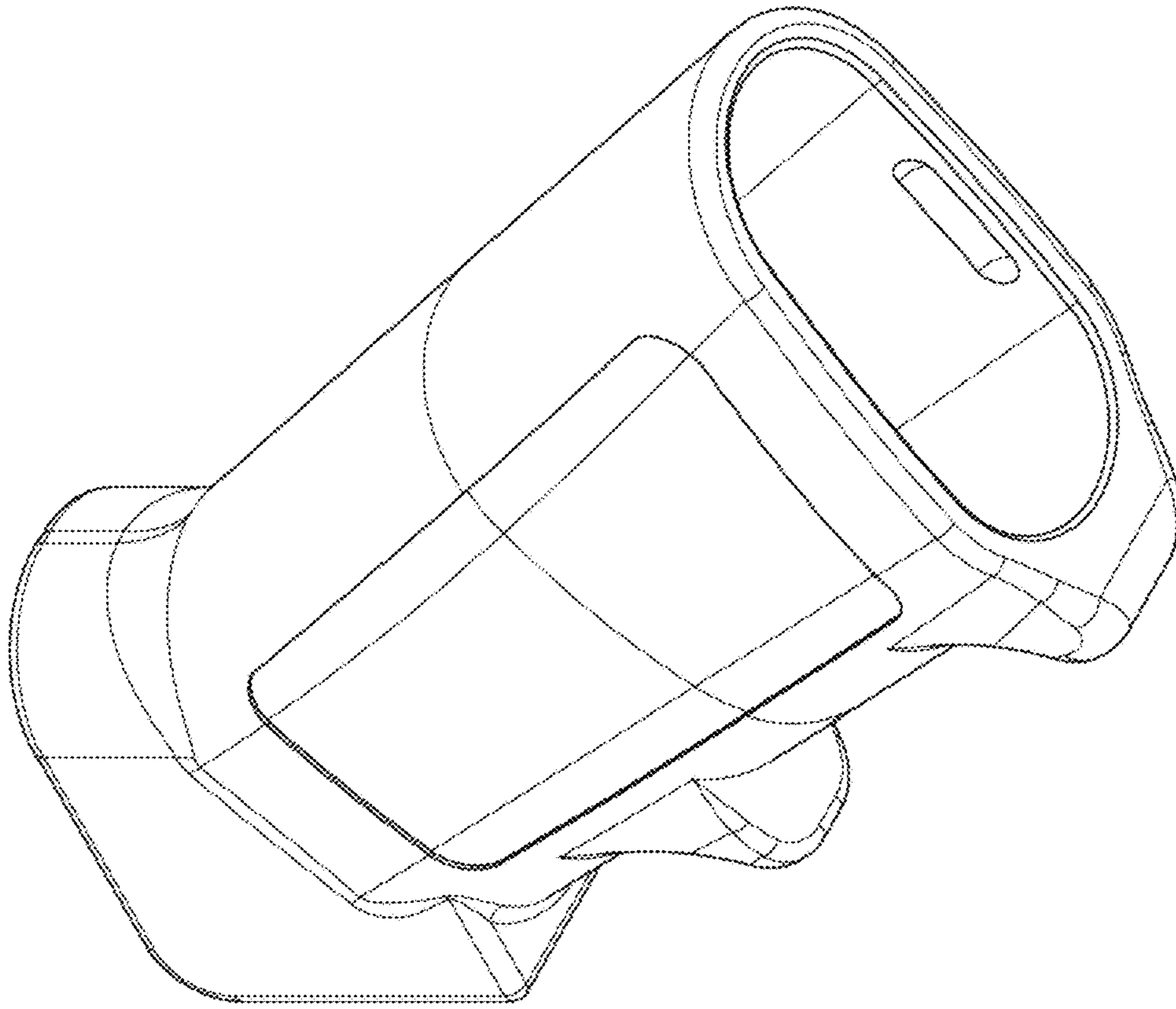


FIG. 26

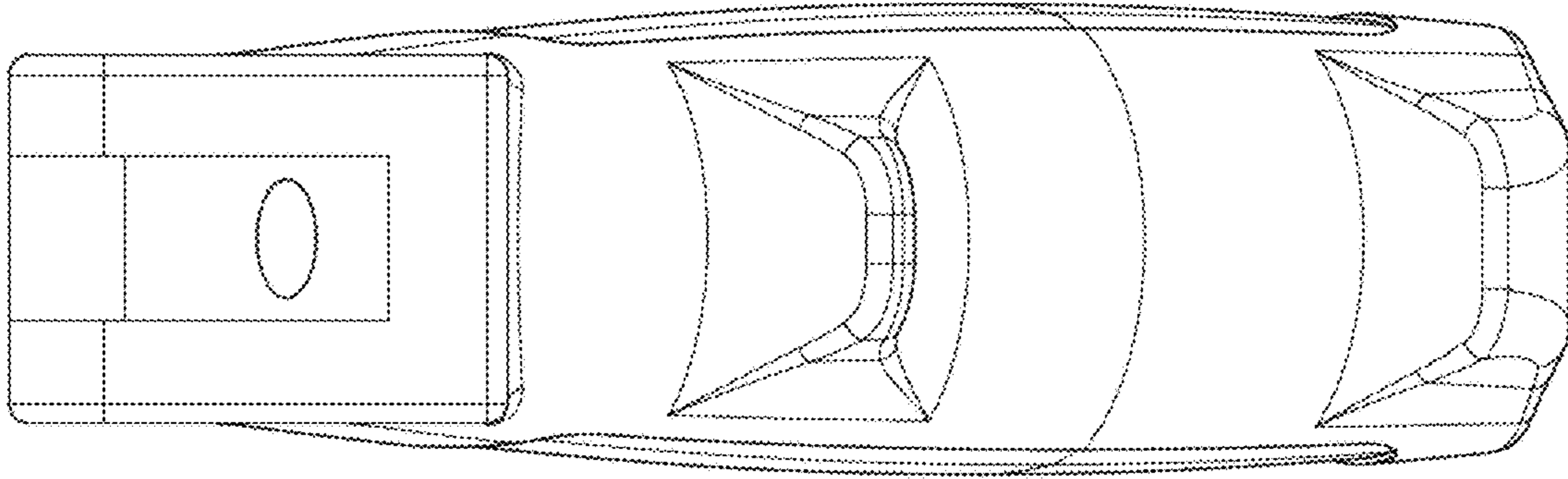


FIG. 27

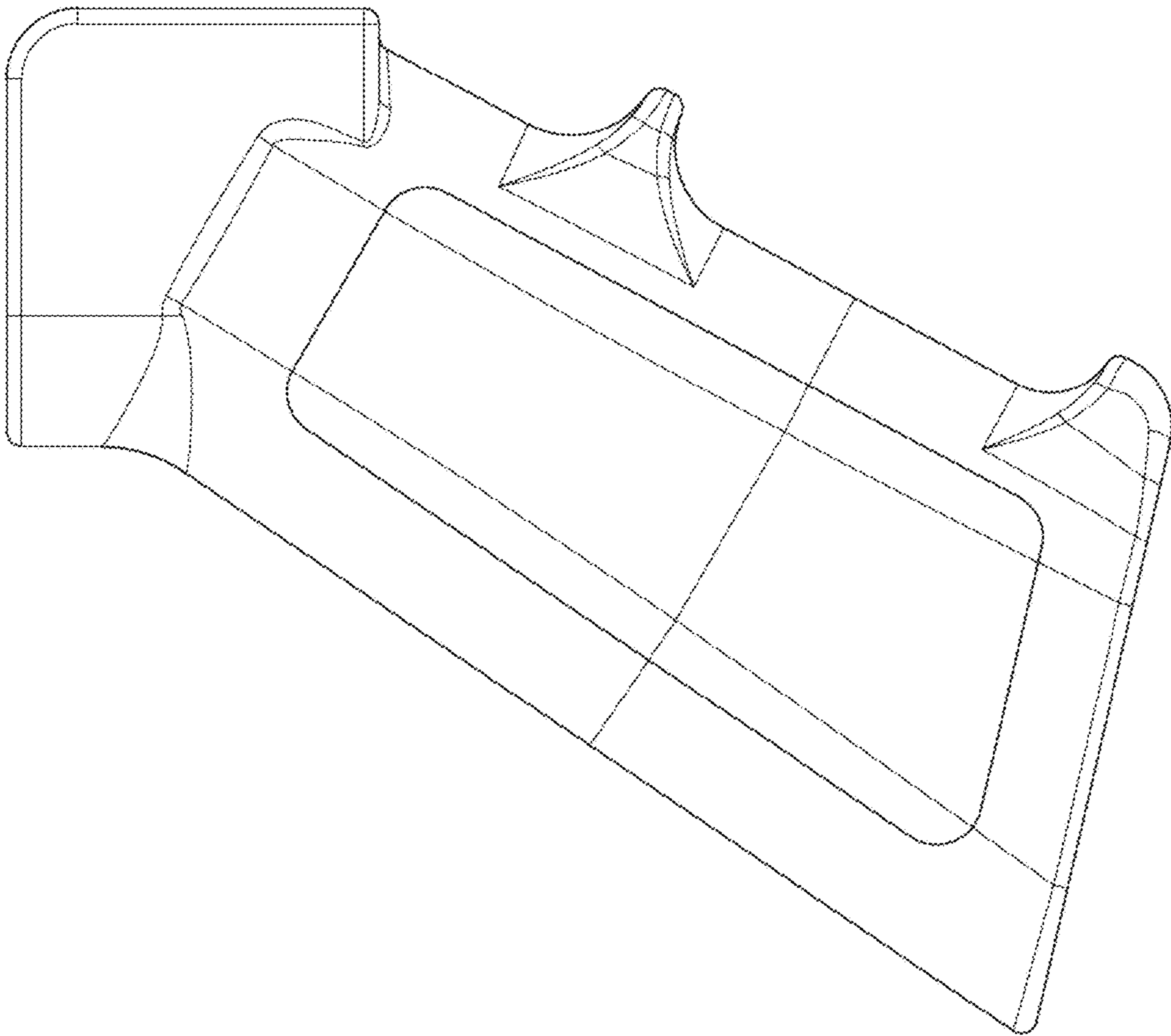


FIG. 28



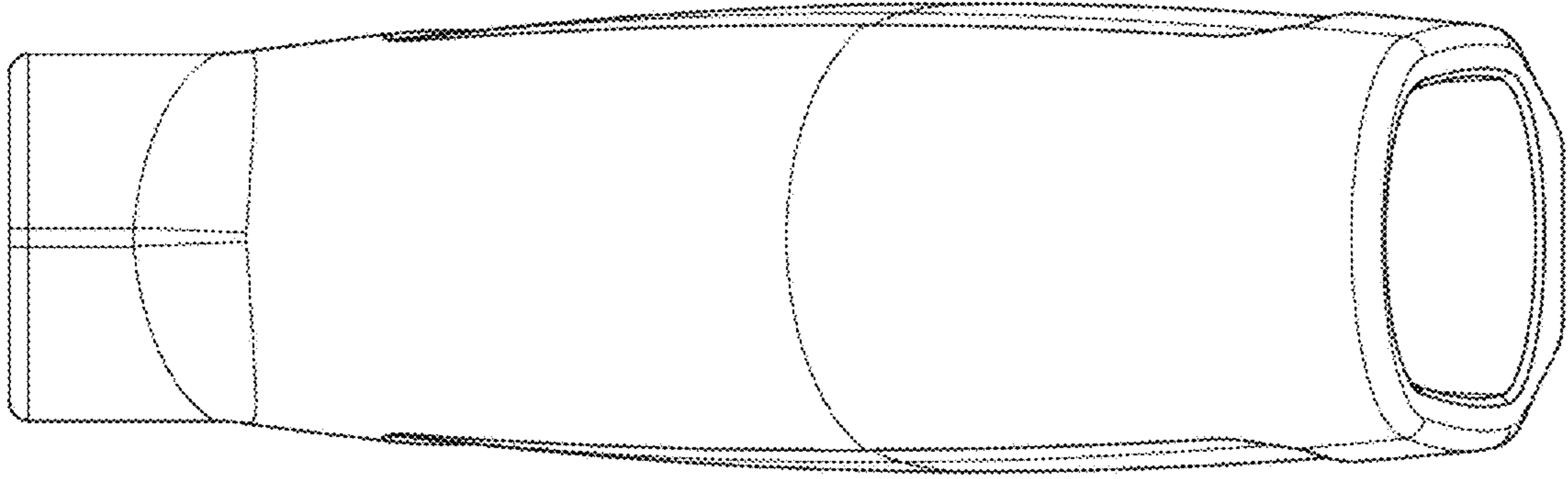


FIG. 30

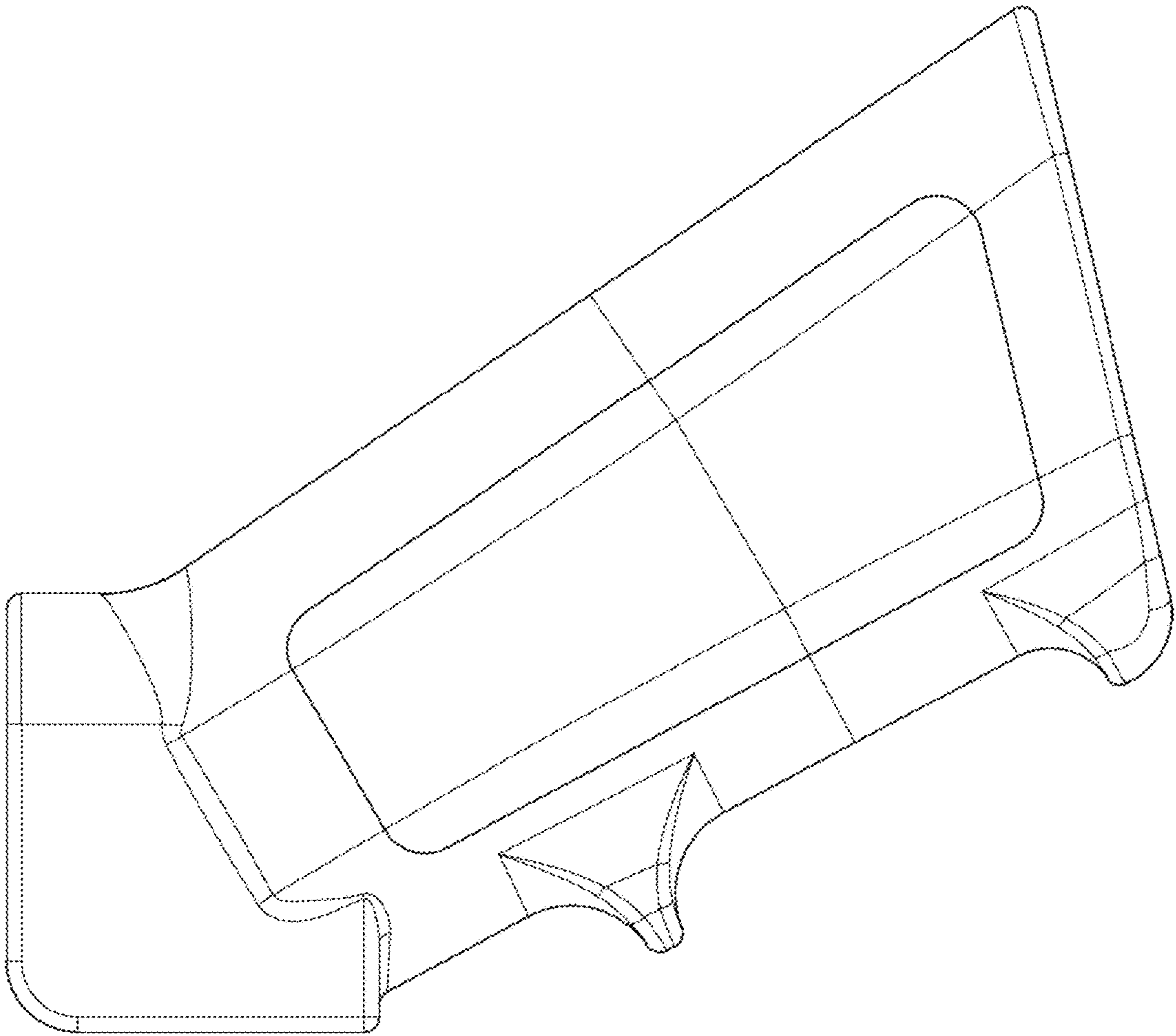


FIG. 29

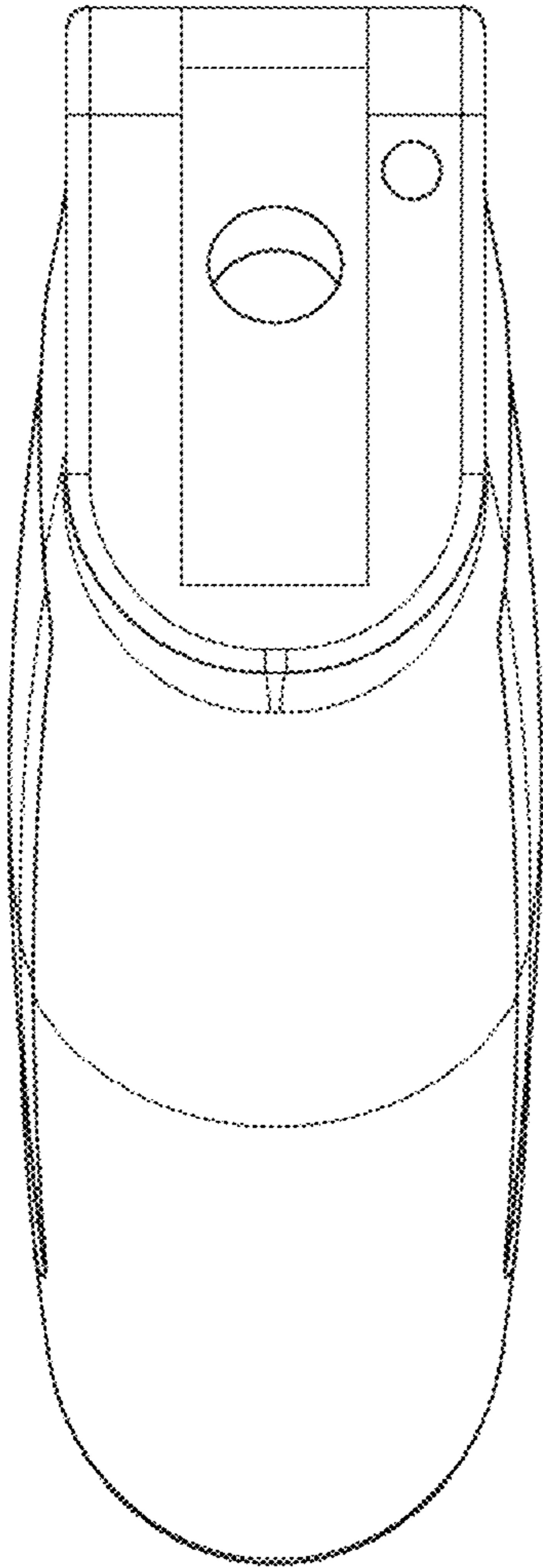


FIG. 31

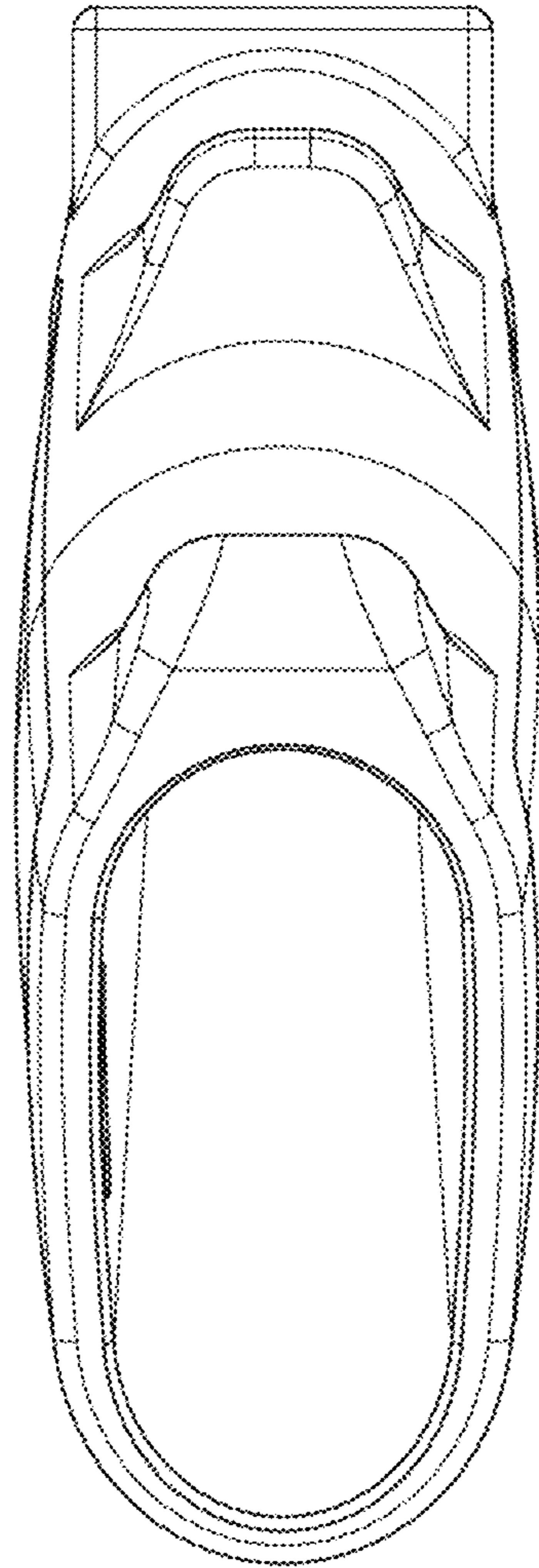


FIG. 32