



US00D900947S

(12) **United States Design Patent**  
**Tampoya**

(10) **Patent No.:** **US D900,947 S**

(45) **Date of Patent:** **\*\* Nov. 3, 2020**

(54) **TRAINING BAT FOR USE IN WATER**

(71) Applicant: **Christopher Alan Tampoya**, Moorpark, CA (US)

(72) Inventor: **Christopher Alan Tampoya**, Moorpark, CA (US)

(73) Assignee: **Monsoon Sports, LLC**, Omaha, NE (US)

(\*\*) Term: **15 Years**

(21) Appl. No.: **29/687,716**

(22) Filed: **Apr. 15, 2019**

(51) **LOC (12) Cl.** ..... **21-02**

(52) **U.S. Cl.**  
USPC ..... **D21/725**

(58) **Field of Classification Search**  
USPC ..... D21/725, 780  
CPC ..... A63B 59/00; A63B 59/50-59/58; A63B 59/80; A63B 60/00; A63B 60/46; A63B 2102/00; A63B 2102/10; A63B 2102/12; A63B 2102/26; A63B 2102/28; A63B 2102/30; A63B 2102/38  
See application file for complete search history.

(56) **References Cited**

U.S. PATENT DOCUMENTS

- 5,766,104 A \* 6/1998 Albarelli, Jr. .... A63B 43/00  
473/567
- 6,048,283 A \* 4/2000 Albarelli, Jr. .... A63B 43/00  
473/567
- D446,700 S \* 8/2001 Christofferson ..... D21/725
- D458,655 S \* 6/2002 Pullaro ..... D21/725
- 7,179,146 B2 \* 2/2007 Johnson ..... A63B 31/10  
441/56
- 7,207,907 B2 \* 4/2007 Guenther ..... A63B 60/08  
473/566
- D555,035 S \* 11/2007 O'Neal ..... D11/157
- 7,717,812 B2 \* 5/2010 Winger ..... A63B 69/0002  
473/451

- 8,066,623 B2 \* 11/2011 Tokuma ..... A63B 21/0084  
441/56
- 8,096,902 B2 \* 1/2012 Winger ..... A63B 69/3623  
473/451
- D668,307 S \* 10/2012 Grimm ..... D21/725
- 8,771,108 B2 \* 7/2014 Auzoux ..... A63B 69/38  
473/463
- D755,314 S \* 5/2016 Williams ..... D21/725
- 10,526,063 B2 \* 1/2020 Taylor ..... B63H 16/04

(Continued)

FOREIGN PATENT DOCUMENTS

GB 190724549 A 11/1908

OTHER PUBLICATIONS

<https://watertrainingdevices.com> (2010); <https://www.youtube.com/watch?v=grR1ypR49qk&t=3s>.

*Primary Examiner* — Mitchell I. Siegel

(74) *Attorney, Agent, or Firm* — Suiter Swantz pc llo

(57) **CLAIM**

The ornamental design for a training bat for use in water, as shown and described.

**DESCRIPTION**

FIG. 1 is a front perspective view of a training bat for use in water.

FIG. 2 is a rear perspective view thereof;

FIG. 3 is a front elevational view thereof;

FIG. 4 is a rear elevational view thereof;

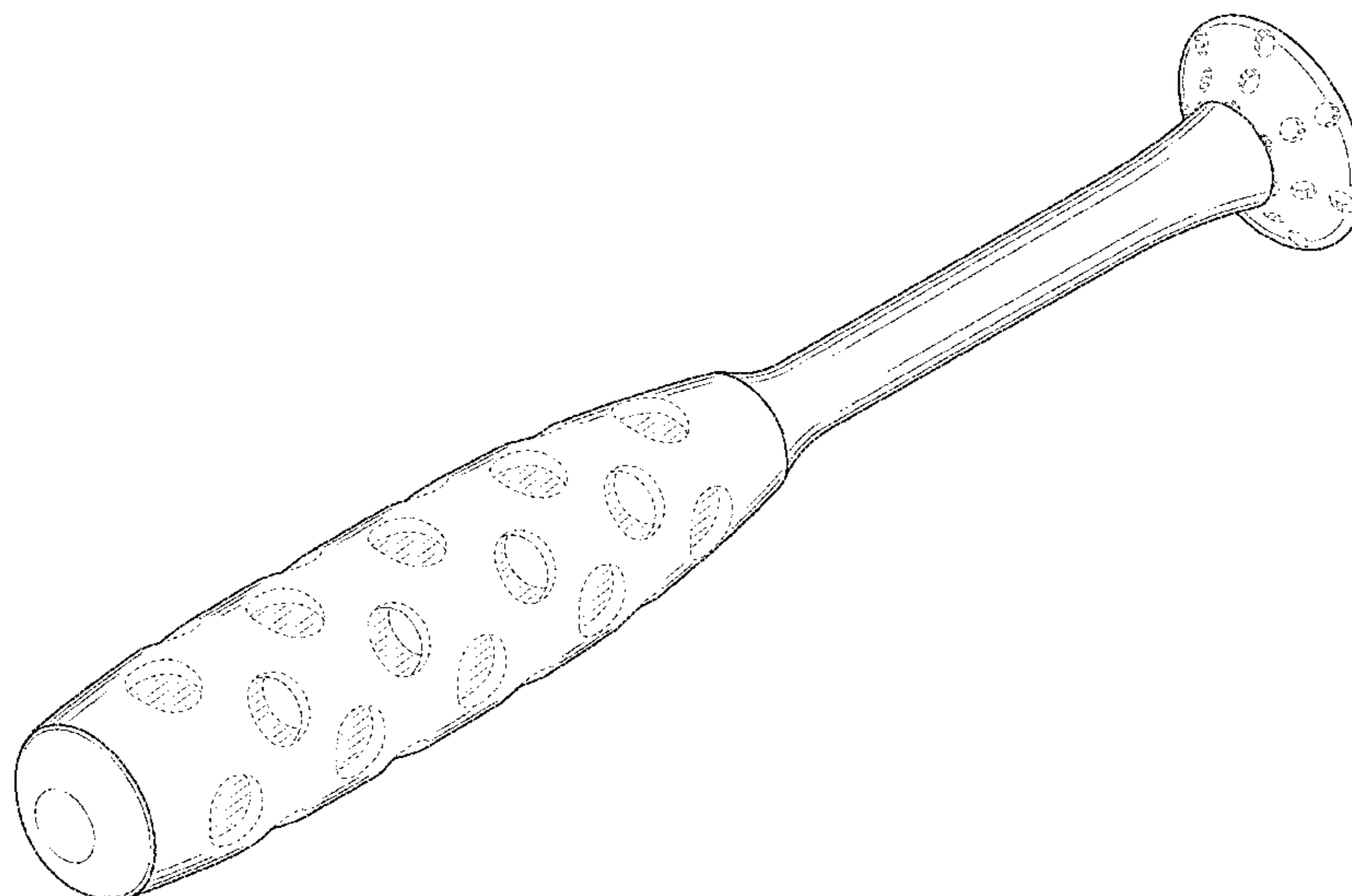
FIG. 5 is a left side elevational view thereof;

FIG. 6 is a right side elevational view thereof; and,

FIG. 7 is a cross-section view taken along line 7-7 of FIG. 2.

The broken lines shown in the figures represent portions of the training bat for use in water that form no part of the claimed design.

**1 Claim, 7 Drawing Sheets**



(56)

**References Cited**

U.S. PATENT DOCUMENTS

2005/0288130 A1\* 12/2005 Lefebvre ..... A63B 69/0002  
473/457  
2010/0056000 A1\* 3/2010 Kang ..... B63H 16/04  
440/101  
2020/0155886 A1\* 5/2020 Tampoya ..... A63B 69/0002

\* cited by examiner

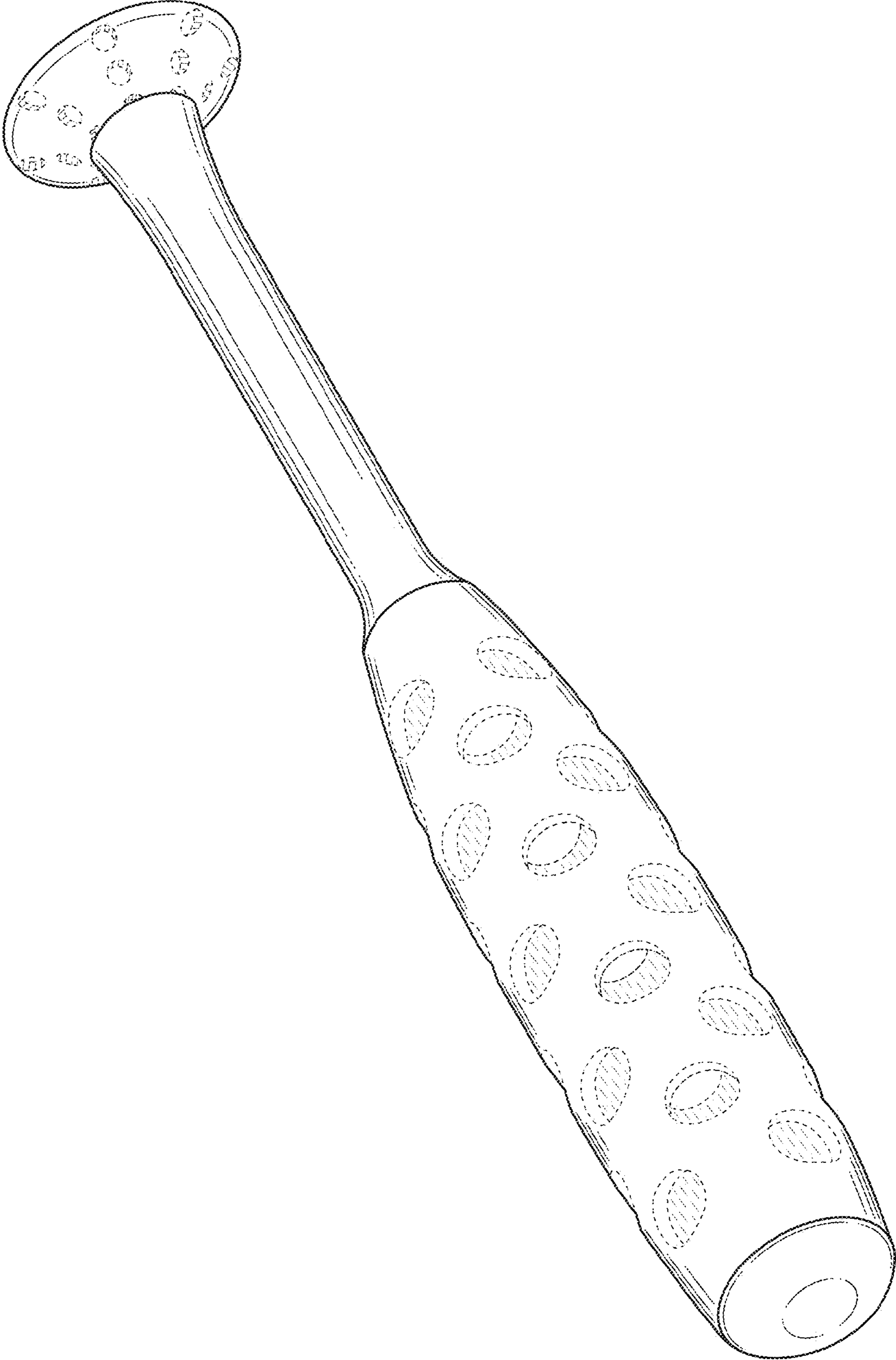


FIG.1

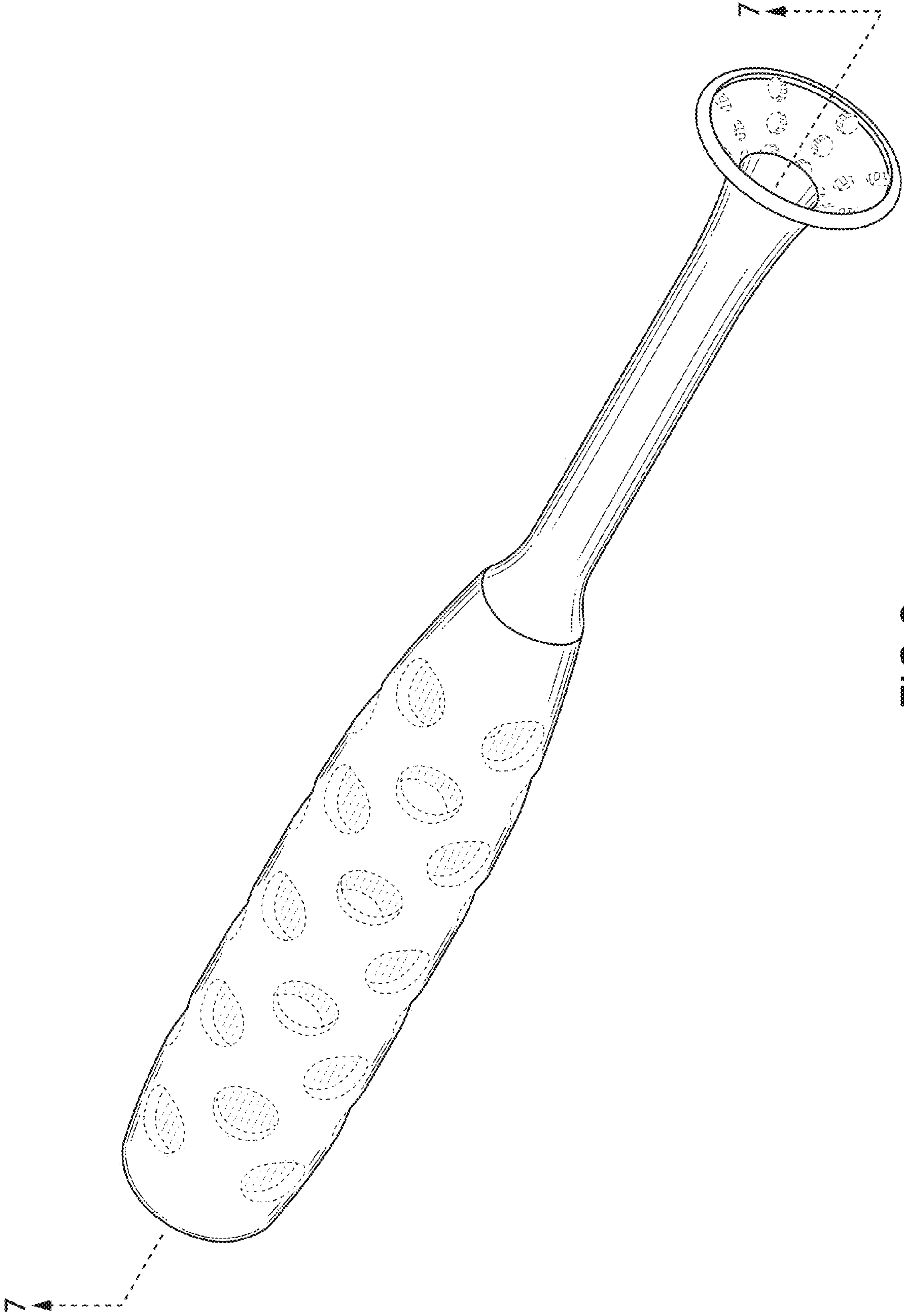


FIG.2

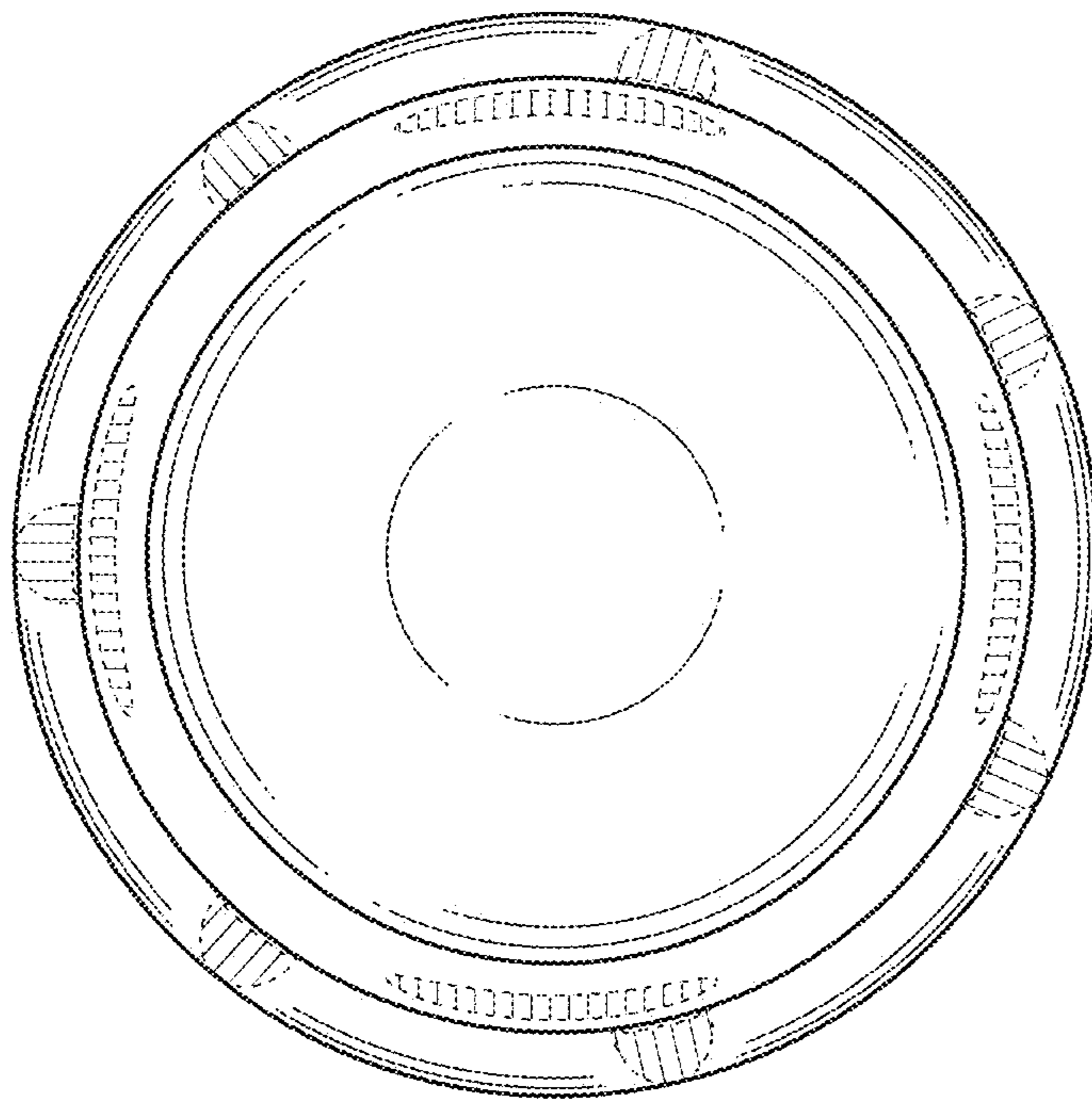


FIG. 3

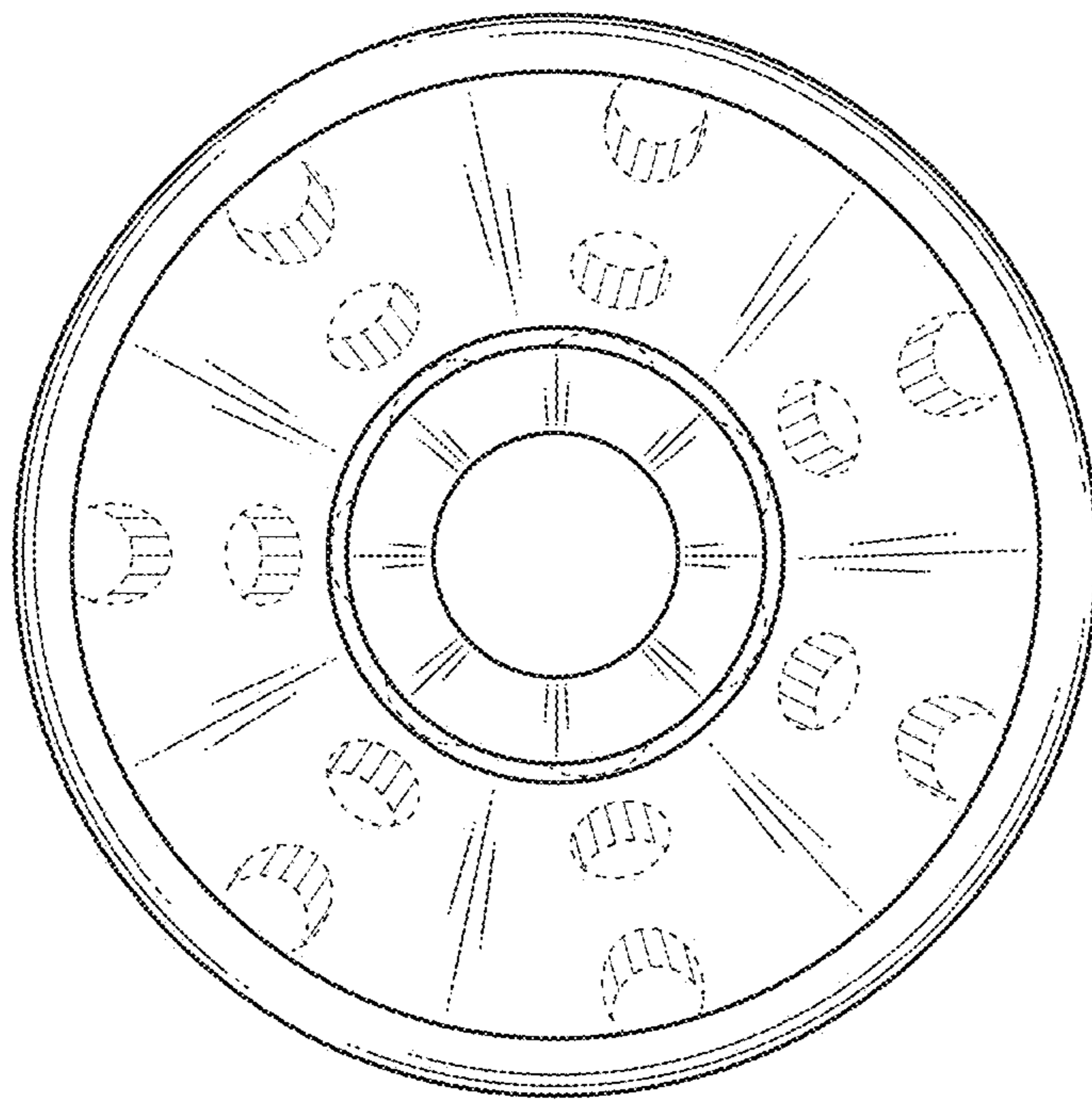


FIG. 4

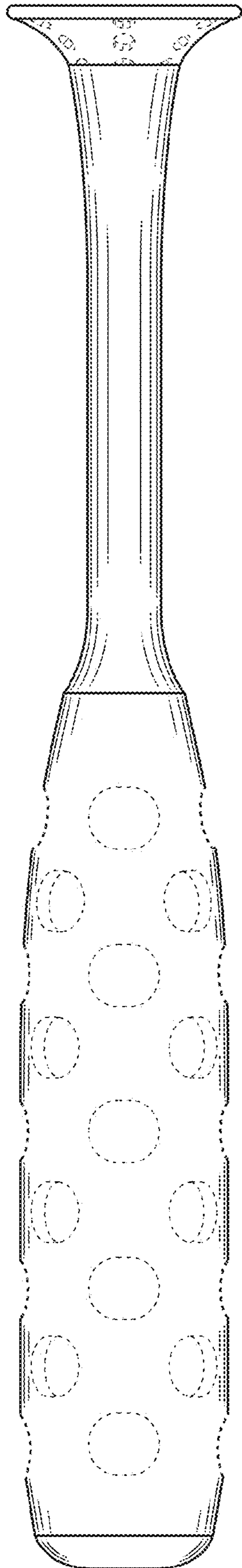


FIG. 5

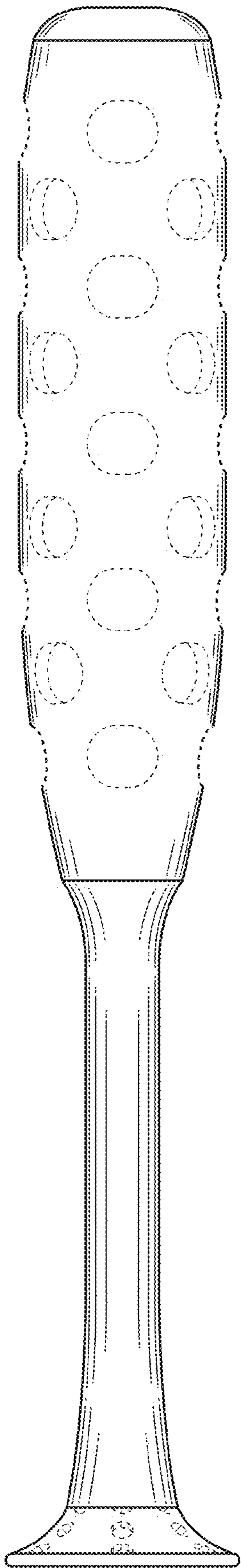


FIG.6



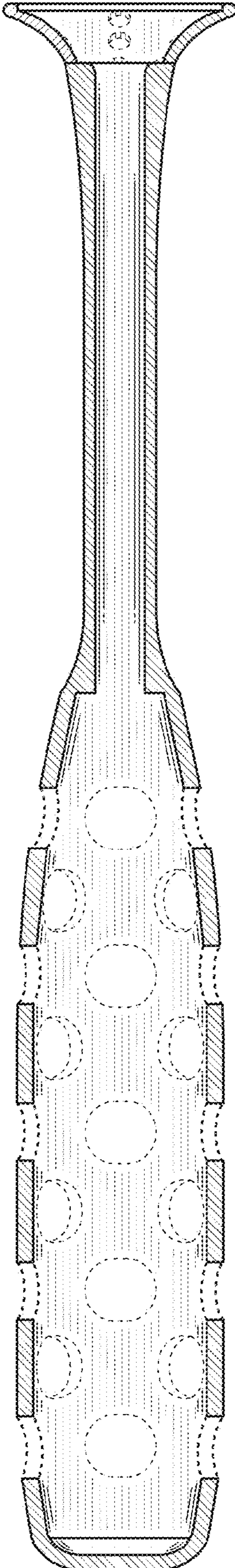


FIG.7